



US00D440496S

(12) **United States Design Patent**
Adam et al.

(10) **Patent No.: US D440,496 S**

(45) **Date of Patent: ** Apr. 17, 2001**

(54) **HANDLE FOR A BOTTLE**

(76) Inventors: **Marie-Paule Adam**, 440 Principale;
Guylain Adam, 67 Chute Nord, both of
St-Narcisse-de-Champlain, Québec
(CA), G0X 2Y0

(**) Term: **14 Years**

(21) Appl. No.: **29/119,077**

(22) Filed: **Feb. 23, 2000**

(51) **LOC (7) Cl. 09-07**

(52) **U.S. Cl. D9/455**

(58) **Field of Search** D9/434, 455; D7/620,
D7/622, 624; 215/395, 396; 220/737, 741,
742

(56) **References Cited**

U.S. PATENT DOCUMENTS

D. 215,748	*	10/1969	Wallace	D7/622
D. 329,517	*	9/1992	Vavla	D9/455 X
D. 343,094	*	1/1994	Varney	D7/622
D. 371,943	*	7/1996	Ramirez	D7/622
D. 397,940	*	9/1998	Safarian	D9/455
D. 429,607	*	8/2000	Prim	D7/622
3,353,729		11/1967	Hull	224/45
3,794,370		2/1974	Lockhart et al.	294/31.2
4,248,366		2/1981	Christiansen	224/148
4,379,578		4/1983	Schuler	294/31.2
4,486,043		12/1984	Rais	294/27 H
4,552,396		11/1985	Rais	294/27.1
4,627,546		12/1986	Carranza	215/100 A
4,660,876		4/1987	Weldin et al.	294/33
4,666,197		5/1987	Watson et al.	294/31.2
4,724,971		2/1988	Henline	215/100 A
4,896,913		1/1990	Kennedy	294/31.2
4,936,614		6/1990	Russell	294/27.1
4,993,675	*	2/1991	Walker	D7/622 X

5,013,074	5/1991	Galle	294/33	
5,025,940	6/1991	Akly	215/100 A	
5,183,169	2/1993	Grzych	215/100 A	
5,413,231	*	5/1995	Carroll et al.	215/396
5,580,343	12/1996	Cafiero	482/139	
5,647,624	7/1997	Beshara, Jr.	294/27.1	

* cited by examiner

Primary Examiner—Cathron Brooks

(74) *Attorney, Agent, or Firm*—ROBIC

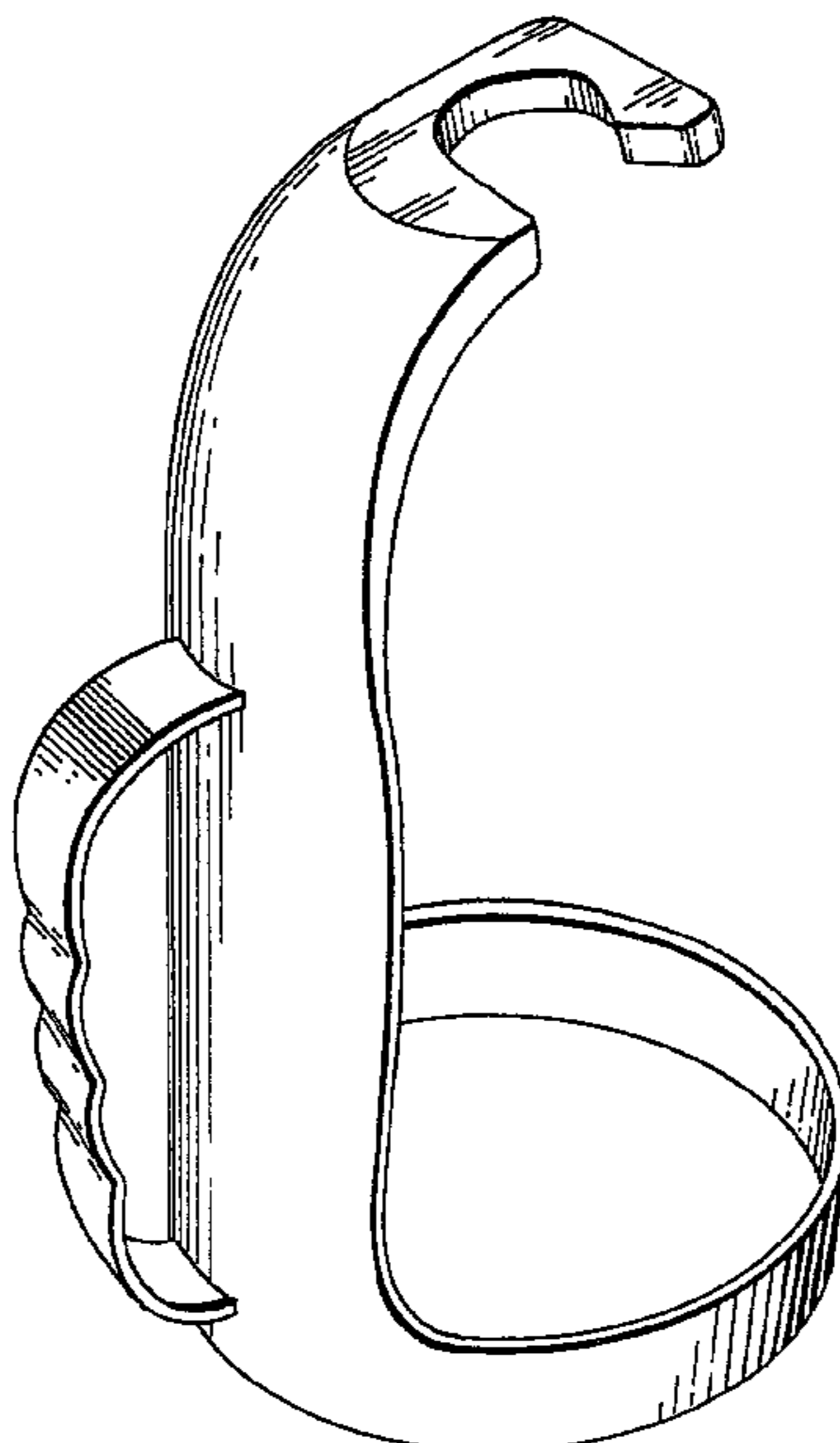
(57) **CLAIM**

The ornamental design for a handle for a bottle, shown and described.

DESCRIPTION

FIG. 1 is a rear and right-side perspective view from above of our new design for a handle for a bottle;
 FIG. 2 is a front and right-side perspective view from above of our new design of a handle for a bottle;
 FIG. 3 is a rear elevational view of our new design of a handle for a bottle;
 FIG. 4 is a front elevational view of our new design of a handle for a bottle;
 FIG. 5 is a right-side elevational view of our new design of a handle for a bottle;
 FIG. 6 is a left-side elevational view of our new design of a handle for a bottle;
 FIG. 7 is a top view of our new design of a handle for a bottle;
 FIG. 8 is a bottom view of our new design of a handle for a bottle; and,
 FIG. 9 is a right-side elevational view of our new design of a handle for a bottle, when mounted on a bottle. The broken lines are for environmental purposes only and form no part of the claimed design.

1 Claim, 9 Drawing Sheets



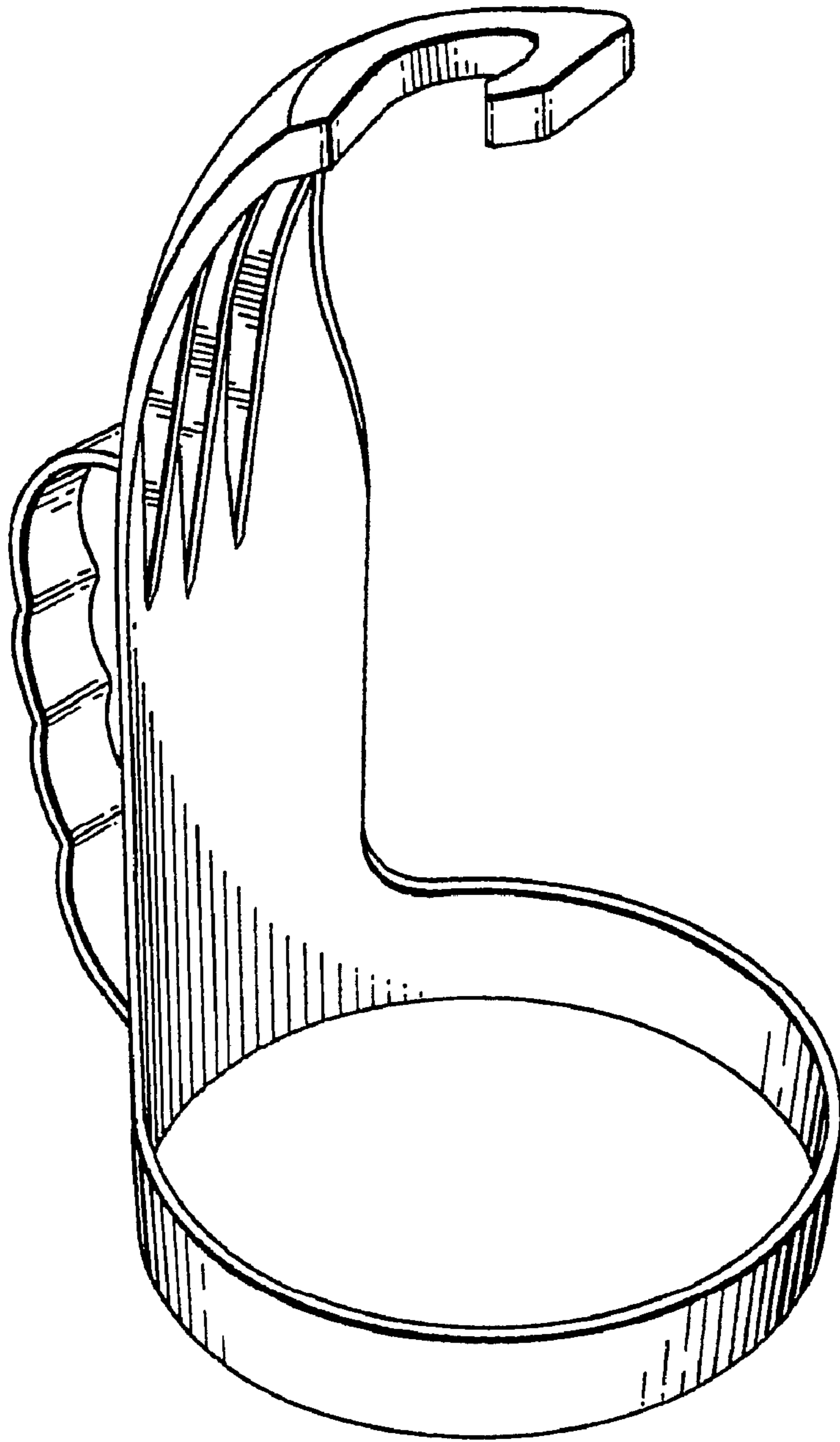


FIG. 1

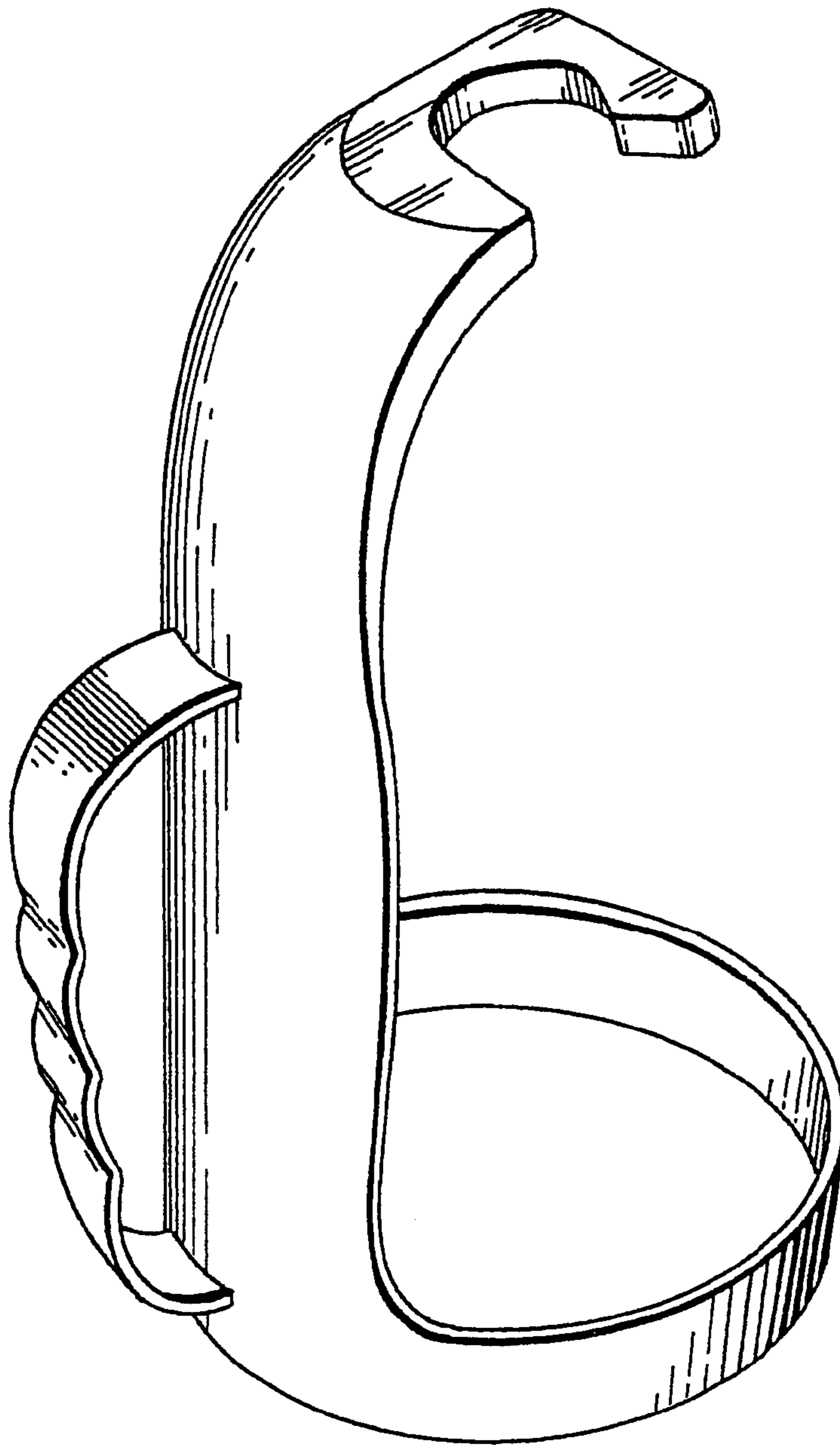


FIG. 2

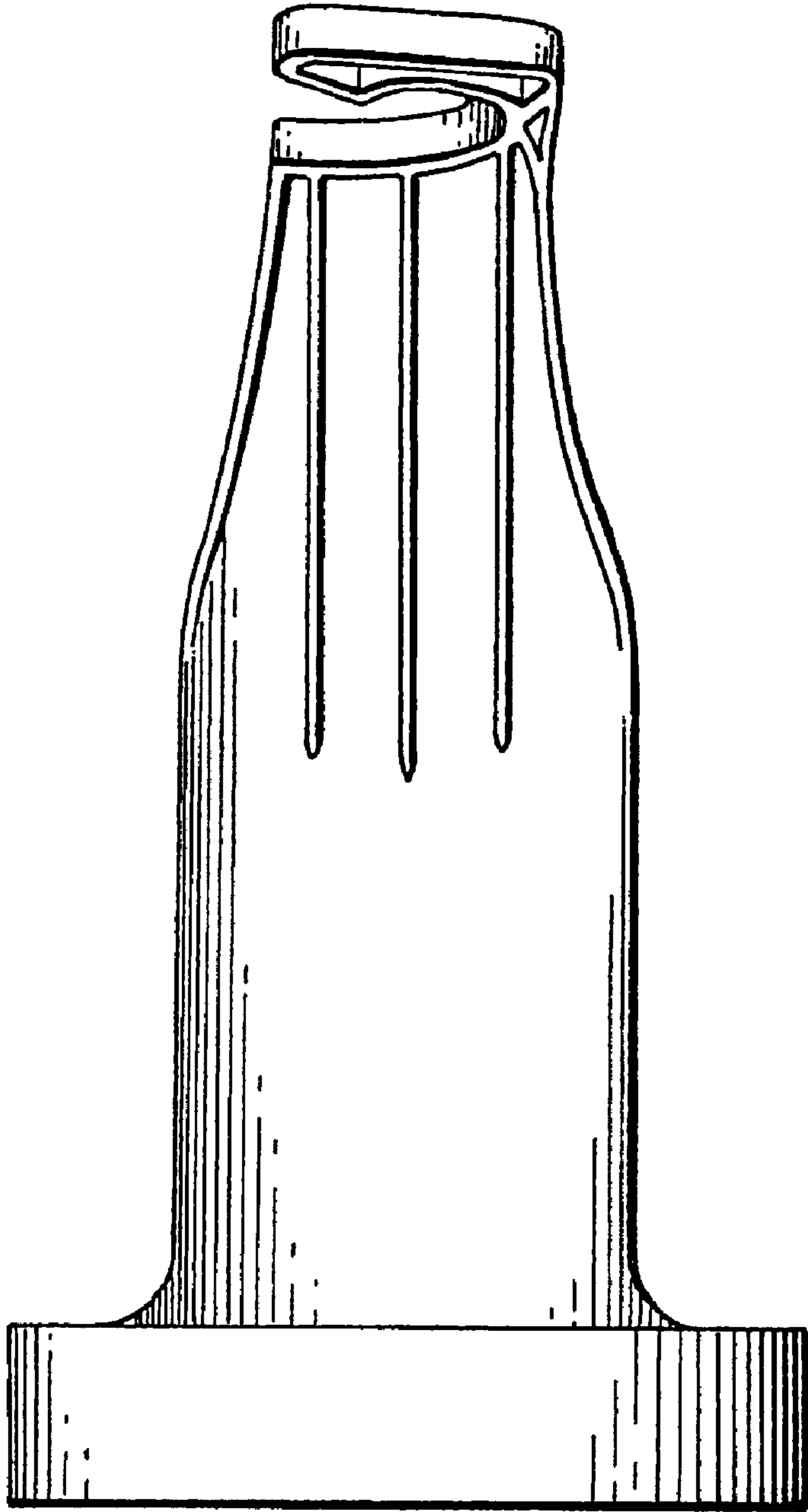


FIG. 3

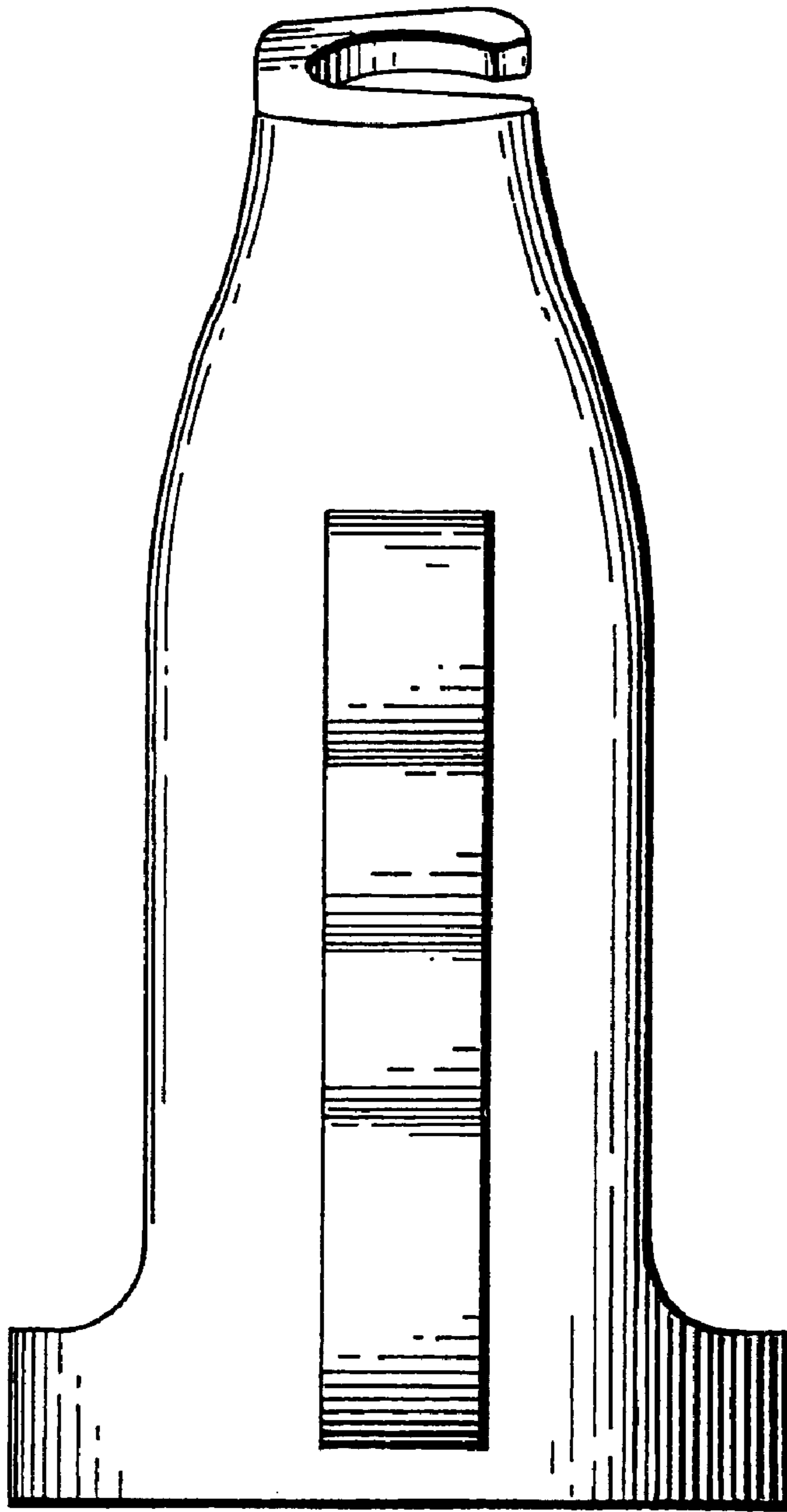


FIG. 4

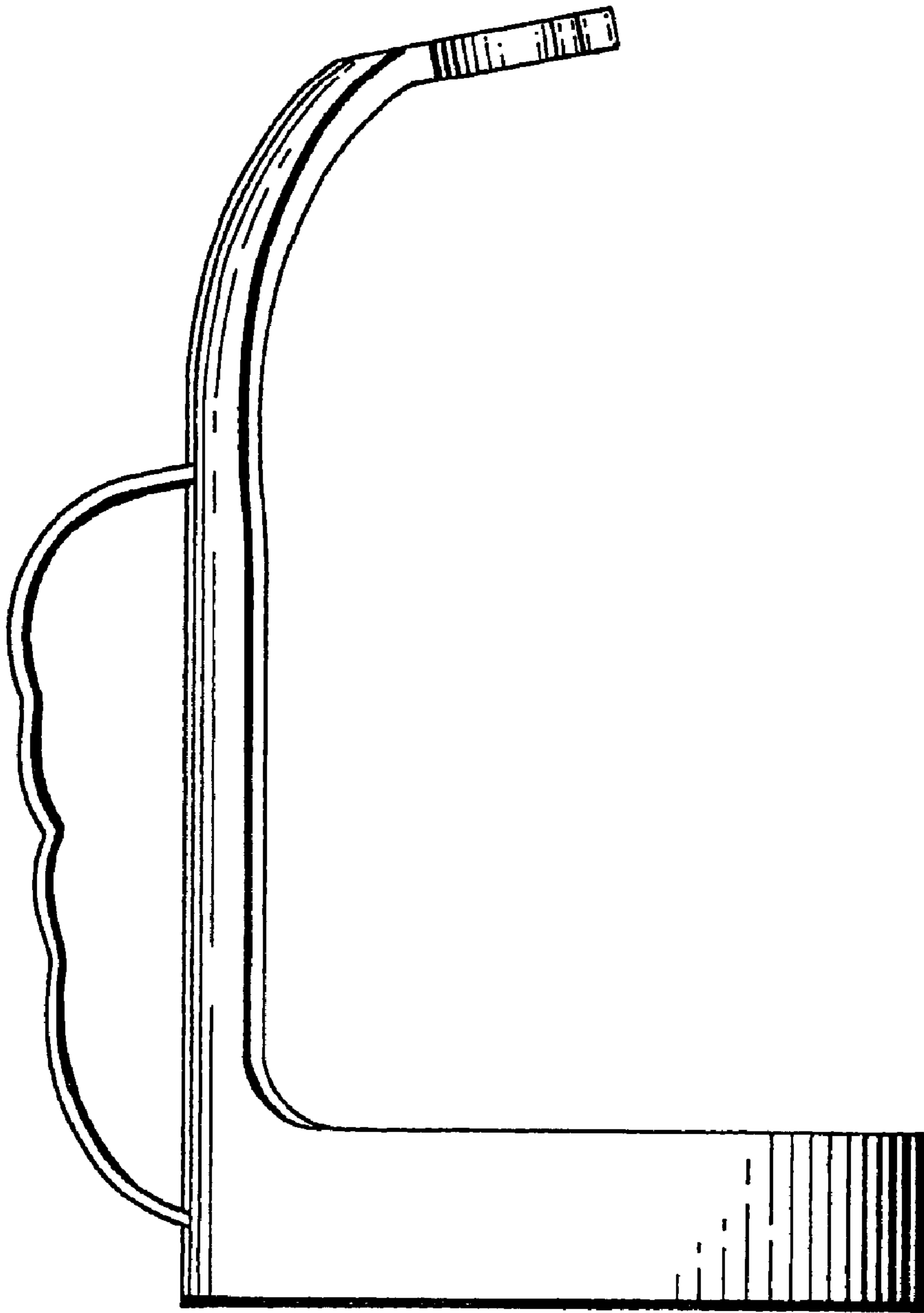


FIG. 5

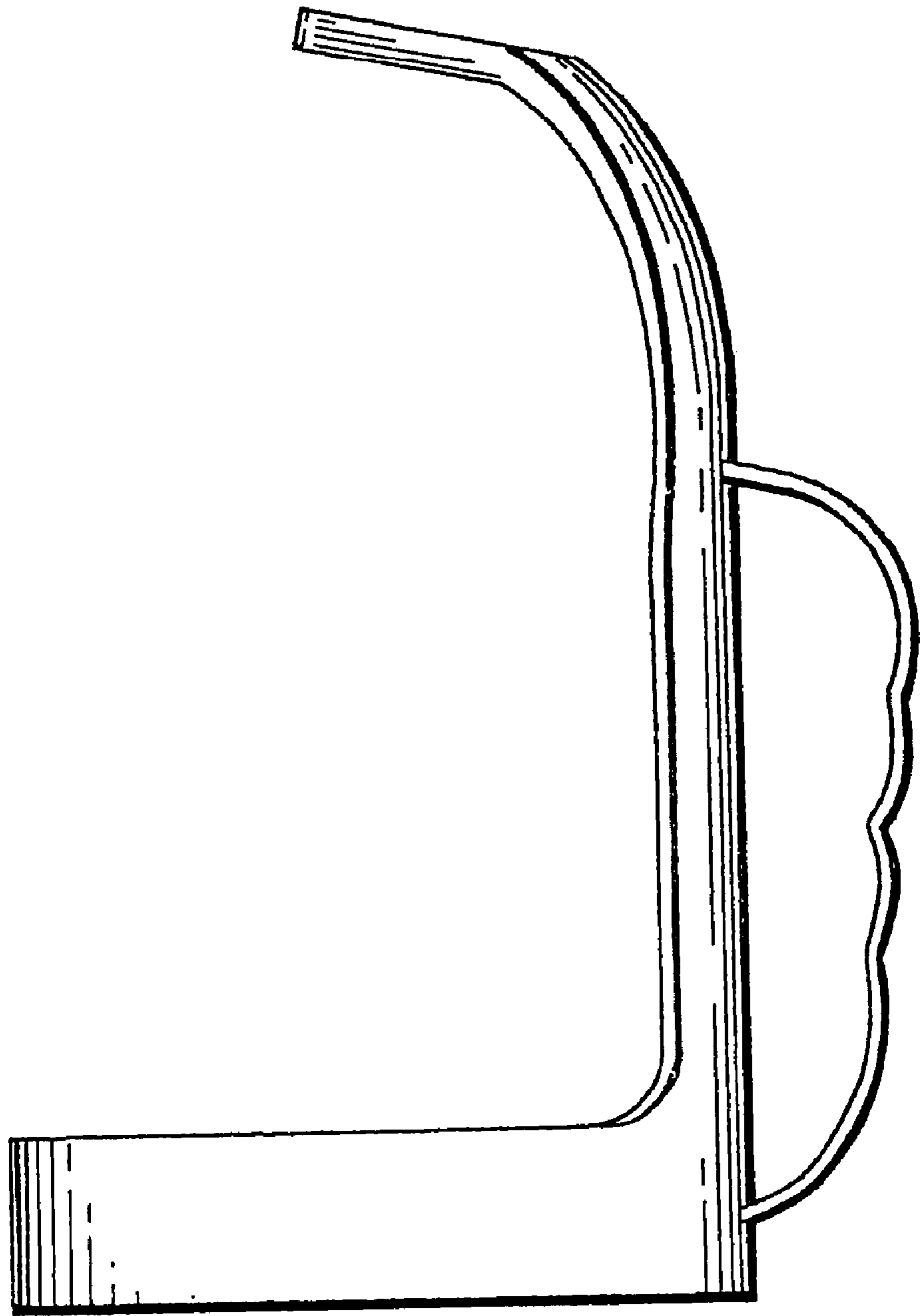


FIG. 6

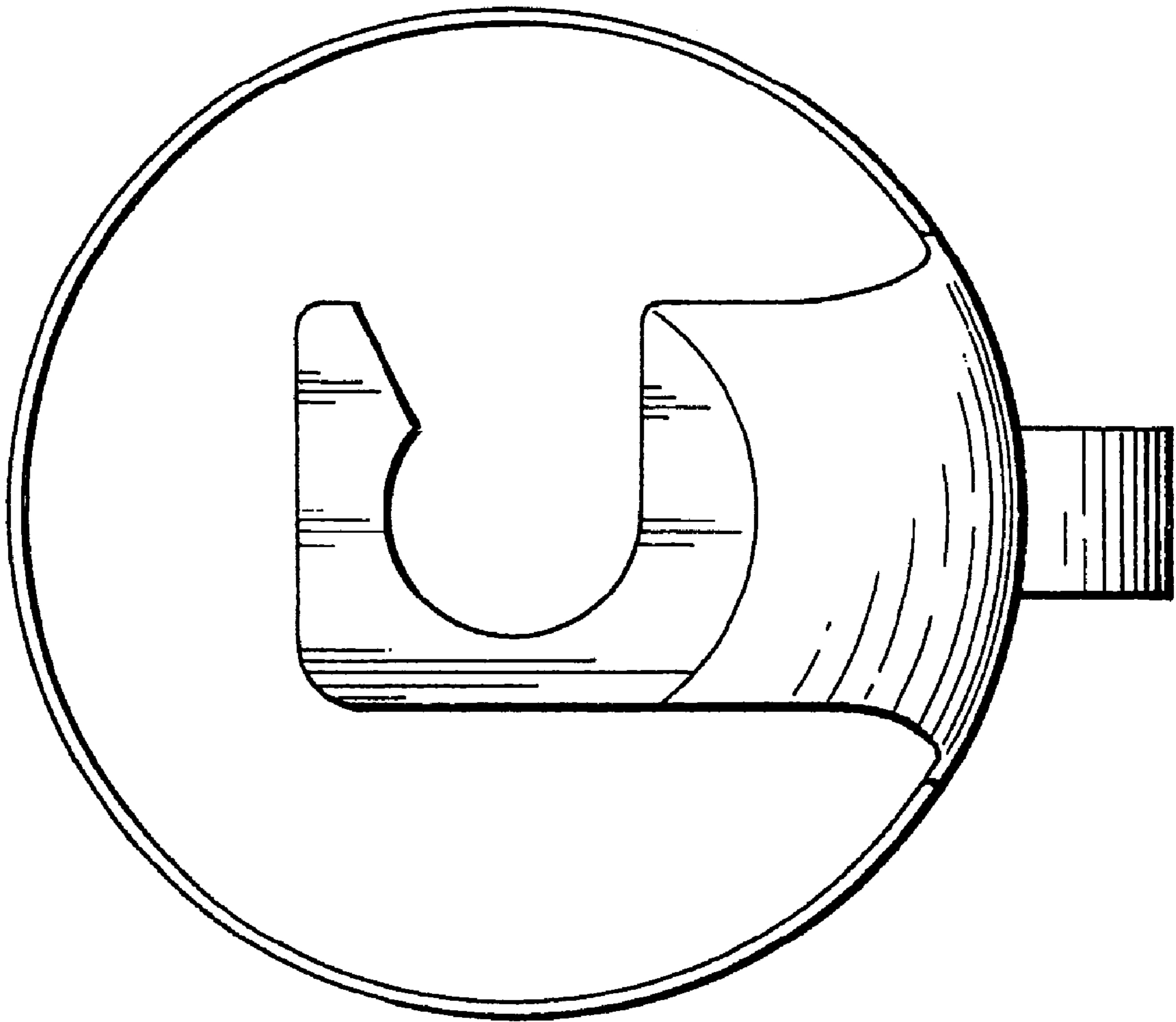


FIG. 7

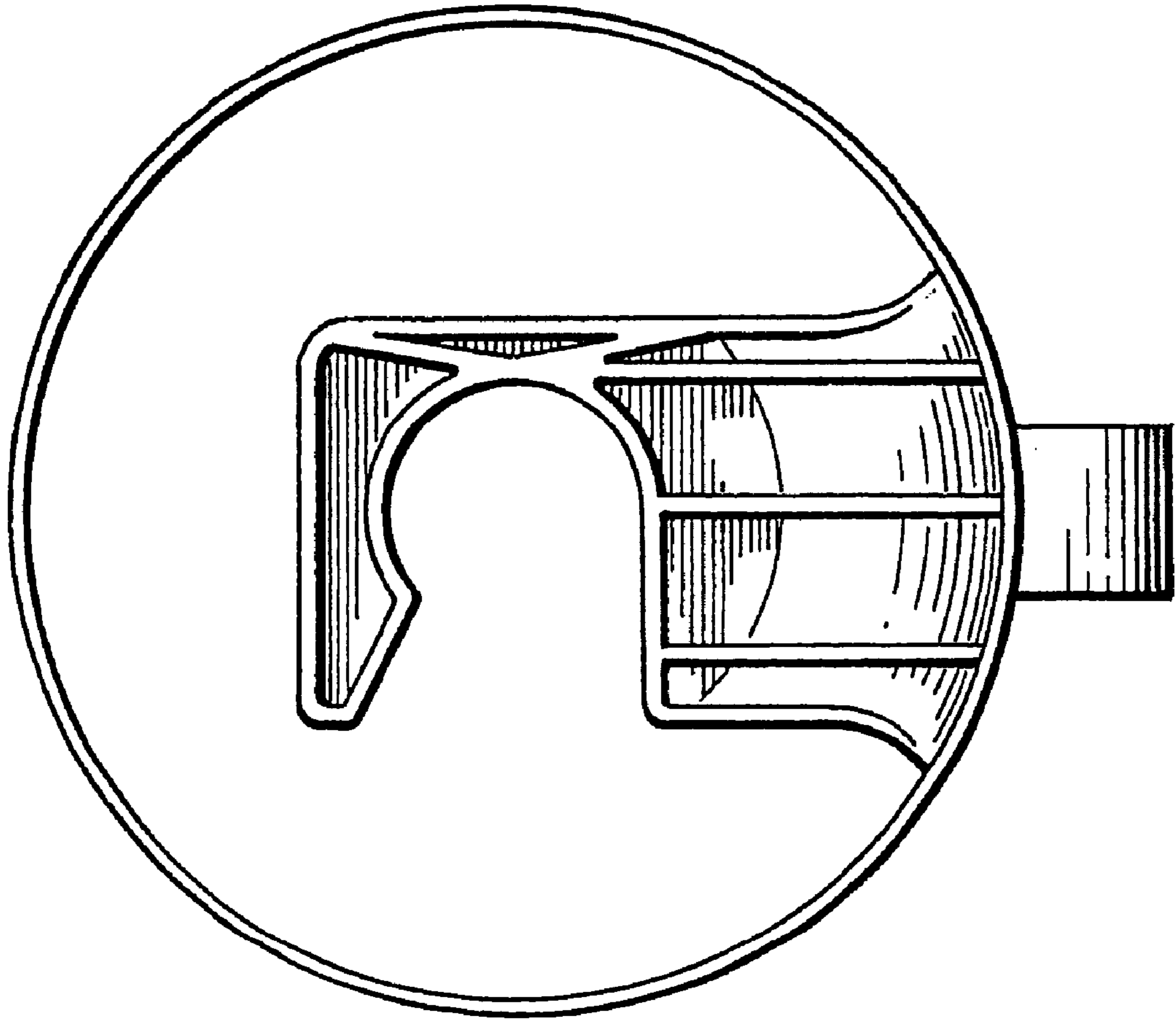


FIG. 8

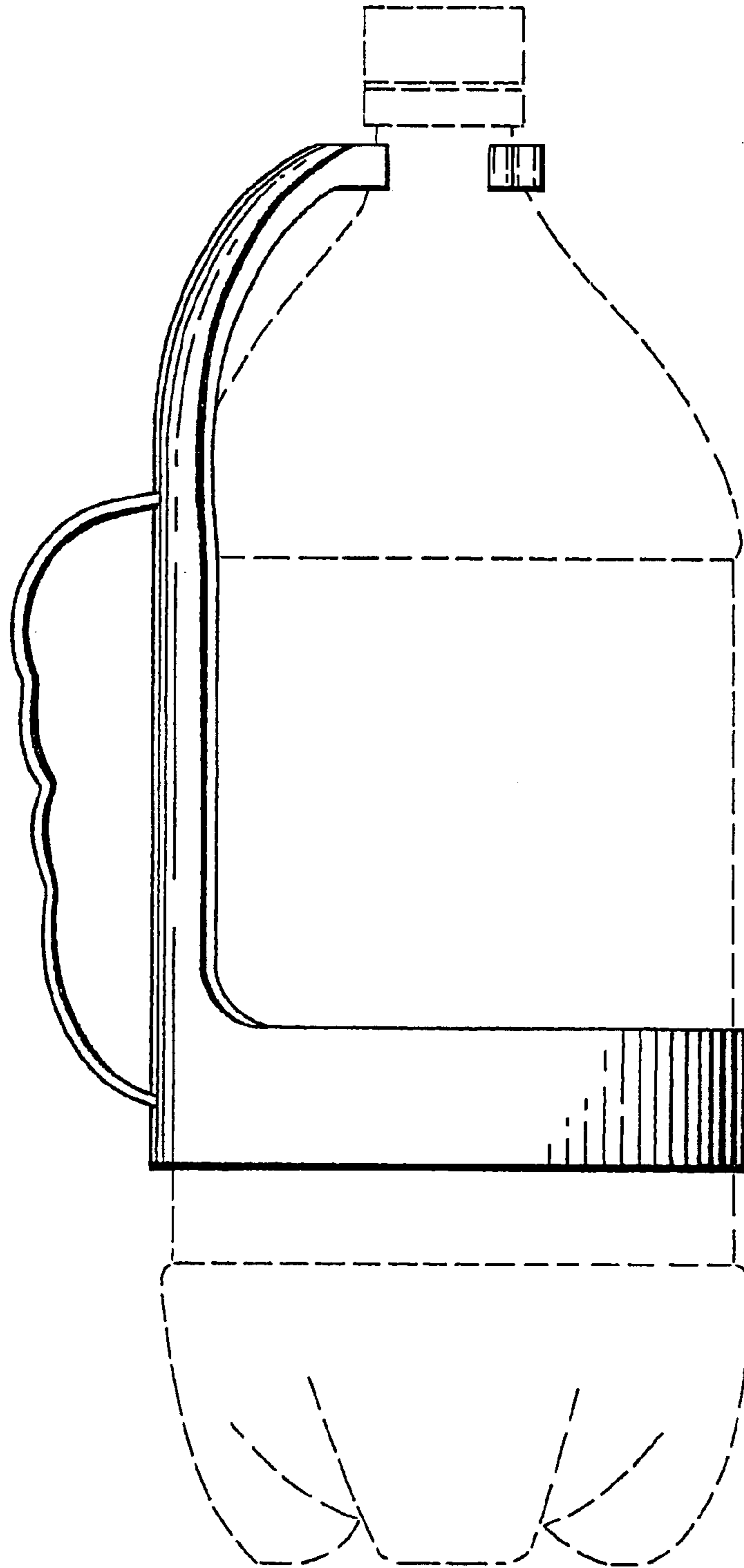


FIG. 9