



US00D440494S

(12) **United States Design Patent**
Sagel et al.

(10) **Patent No.:** **US D440,494 S**

(45) **Date of Patent:** **** Apr. 17, 2001**

(54) **CLOSURE**

(75) **Inventors:** **Ralph Albert Sagel**, Loveland, OH
(US); **David Eugene Ebersole**, South
Williamsport, PA (US)

(73) **Assignee:** **The Procter & Gamble Company**,
Cincinnati, OH (US)

(**) **Term:** **14 Years**

(21) **Appl. No.:** **29/114,667**

(22) **Filed:** **Nov. 29, 1999**

(51) **LOC (7) Cl.** **09-07**

(52) **U.S. Cl.** **D9/450**

(58) **Field of Search** D9/447, 448, 449,
D9/450; 222/92, 94, 105, 107, 129, 195.1,
195.3, 544, 546, 556, 557, 562, 565

(56) **References Cited**

U.S. PATENT DOCUMENTS

D. 193,121	6/1962	Wickman	D58/26
D. 200,182	1/1965	Crowell et al.	D58/26
D. 212,463	10/1968	Vanderhyde	D9/275
D. 223,900	6/1972	Douglas et al.	D9/278
D. 242,517	* 11/1976	Capros	D9/447 X
D. 256,672	9/1980	Beck	D9/254
D. 264,939	6/1982	Stock	D9/352
D. 264,941	6/1982	Stock	D9/370
D. 265,060	6/1982	Blank	D9/446
D. 314,147	1/1991	Davis	D9/446
D. 350,482	9/1994	Hu et al.	D9/448
D. 356,026	3/1995	Iaia et al.	D9/302
D. 358,760	5/1995	Sherman et al.	D9/302
D. 370,845	6/1996	Sherman et al.	D9/438
D. 374,399	10/1996	Neveras et al.	D9/447
D. 402,202	12/1998	Sherman et al.	D9/147
1,370,665	3/1921	Moore	.	
1,699,532	1/1929	Hopkins	.	
2,914,220	11/1959	Marraffino	222/145
2,959,327	11/1960	Bloom	222/94
3,104,039	9/1963	Dike	222/536

3,107,035	10/1963	Cholet	222/213
3,109,548	11/1963	Wood	215/46
3,741,447	6/1973	Miles et al.	222/517
3,933,271	1/1976	McGhie	220/335
4,170,315	10/1979	Dubach et al.	220/281
4,193,519	3/1980	Dubach et al.	222/111
4,236,653	12/1980	Gach	222/153
4,377,247	3/1983	Hazard et al.	222/517
4,386,714	6/1983	Roberto et al.	220/339
4,403,712	9/1983	Wiesinger	220/339
4,487,324	12/1984	Ostrowsky	215/253
4,503,991	3/1985	Joyce	220/339
4,519,517	5/1985	Walter	215/253
4,534,481	8/1985	Summers et al.	215/253

(List continued on next page.)

FOREIGN PATENT DOCUMENTS

2355818	5/1975	(DE)	.
2224309	5/1990	(GB)	.
2322616	5/1997	(GB)	.
WO98/24706	6/1998	(WO)	.

Primary Examiner—Cathron B. Matta

(74) *Attorney, Agent, or Firm*—Vanessa M. Nichols; James C. Vago

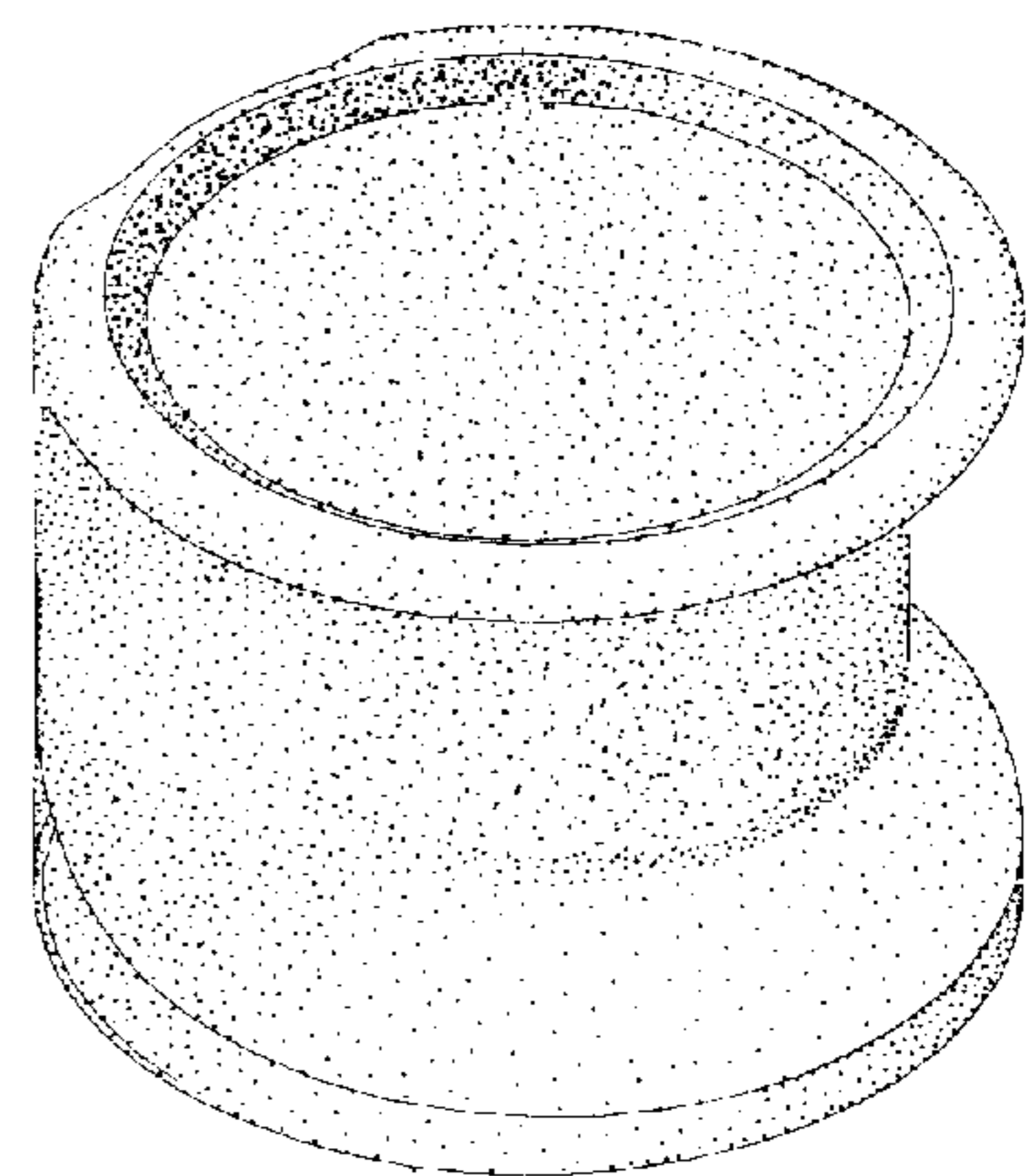
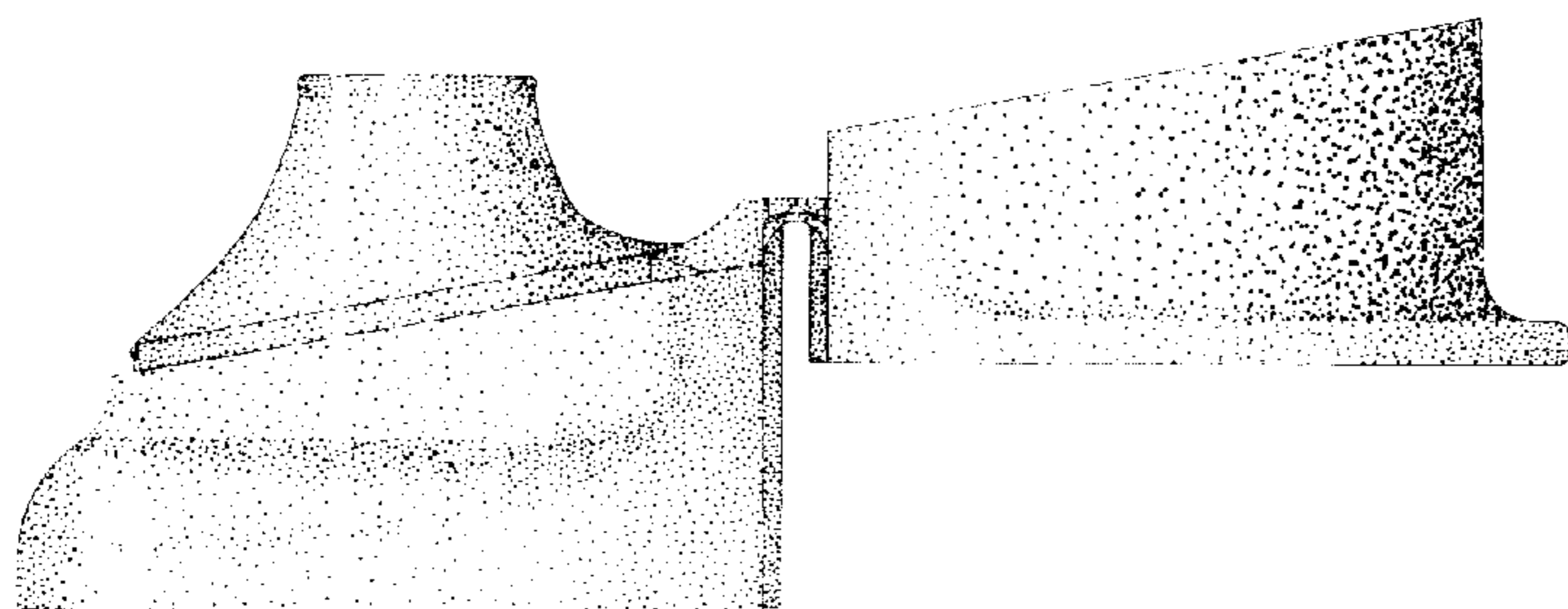
(57) **CLAIM**

The ornamental design for a closure, as shown and described.

DESCRIPTION

FIG. 1 is a perspective view of a closure in the open position, embodying our new design;
FIG. 2 is a top view thereof;
FIG. 3 is a front view thereof;
FIG. 4 is side elevational view thereof, the opposite side elevational view thereof being a mirror image;
FIG. 5 is a back view thereof; and,
FIG. 6 is a perspective view thereof in the closed position.
The bottom and interior of the closure form no part of the claimed design.

1 Claim, 2 Drawing Sheets



US D440,494 S

Page 2

U.S. PATENT DOCUMENTS

4,545,495	10/1985	Kinsley	215/235	5,065,876	11/1991	Joyce	215/206
4,615,462	10/1986	Sacherer et al.	220/339	5,094,361	3/1992	Dubach	222/81
4,625,898	12/1986	Hazard	222/517	5,115,931	5/1992	Dubach	215/235
4,638,916	1/1987	Beck et al.	215/235	5,141,138	8/1992	Odet et al.	222/541
4,693,396	9/1987	Tavss et al.	222/107	5,143,234	9/1992	Lohrman et al.	215/235
4,696,408	9/1987	Dubach	215/237	5,148,912	9/1992	Nozawa	220/339
4,739,906	4/1988	LoTurco	222/153	5,318,203	6/1994	Iaia et al.	222/94
4,759,455	7/1988	Wilson	215/206	5,386,918	2/1995	Neveras et al.	215/235
4,778,071	10/1988	Fillmore	215/237	5,423,442	6/1995	Nozawa et al.	215/235
4,782,964	11/1988	Poore et al.	215/216	5,437,383	8/1995	Stull	215/235
4,793,501	12/1988	Beck	215/235	5,489,035	2/1996	Fuchs	215/235
4,793,502	12/1988	Beck	215/235	5,531,349	7/1996	Wojcik et al.	220/339
4,848,612	7/1989	Beck	215/235	5,540,343	7/1996	Schumacher	215/235
4,854,473	8/1989	Dubach	220/335	5,547,091	8/1996	Neveras et al.	215/237
4,911,324	3/1990	Dubach	220/339	5,558,239	9/1996	Dubach	215/235
4,949,883	8/1990	Dubach	222/556	5,702,033	12/1997	Beaver	222/94
4,964,539	10/1990	Mueller	222/94	5,785,193	7/1998	Kobayashi et al.	215/235
5,007,555	4/1991	Beck	220/339	5,913,435	6/1999	Fuchs	215/237

* cited by examiner

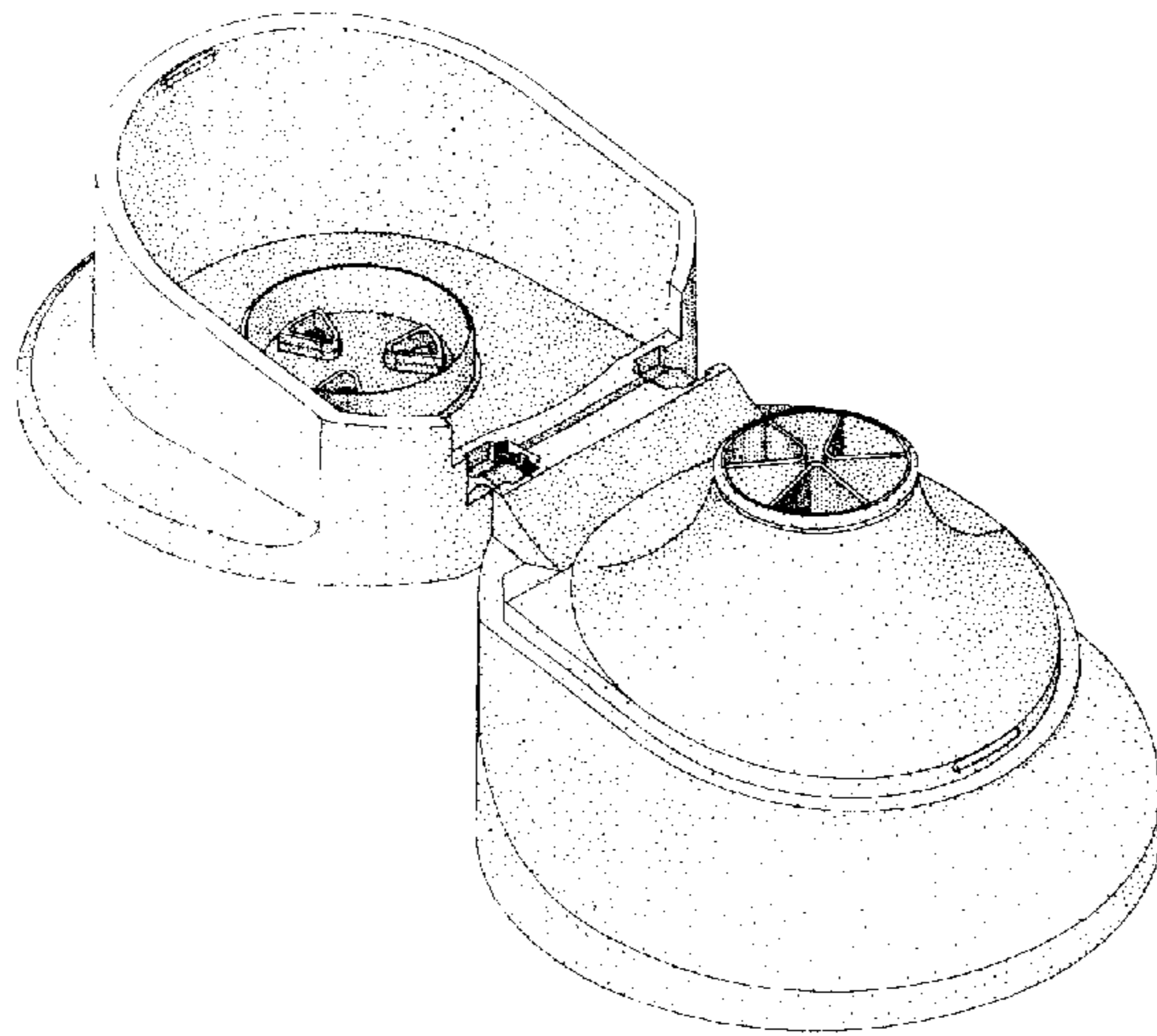


Fig. 1

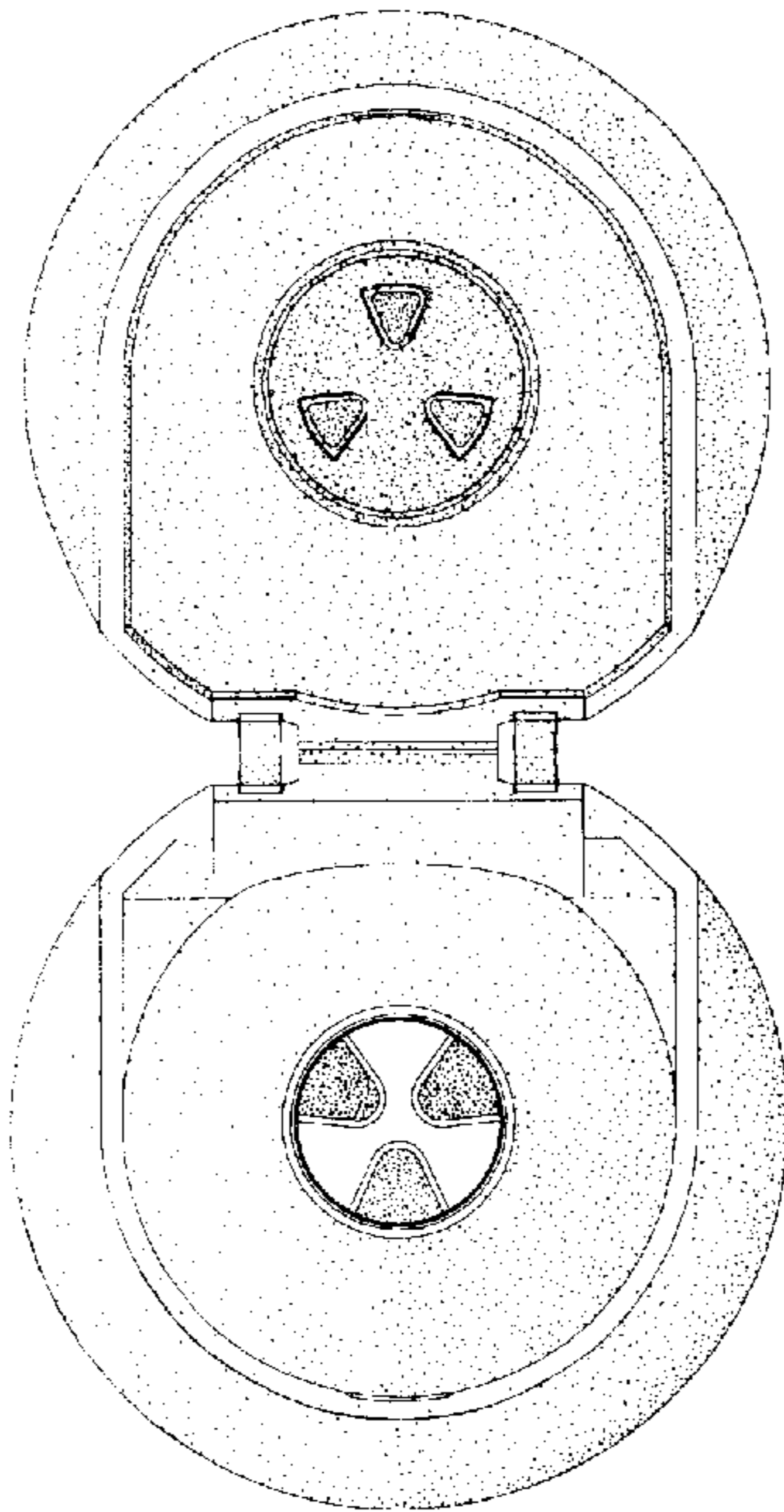


Fig. 2

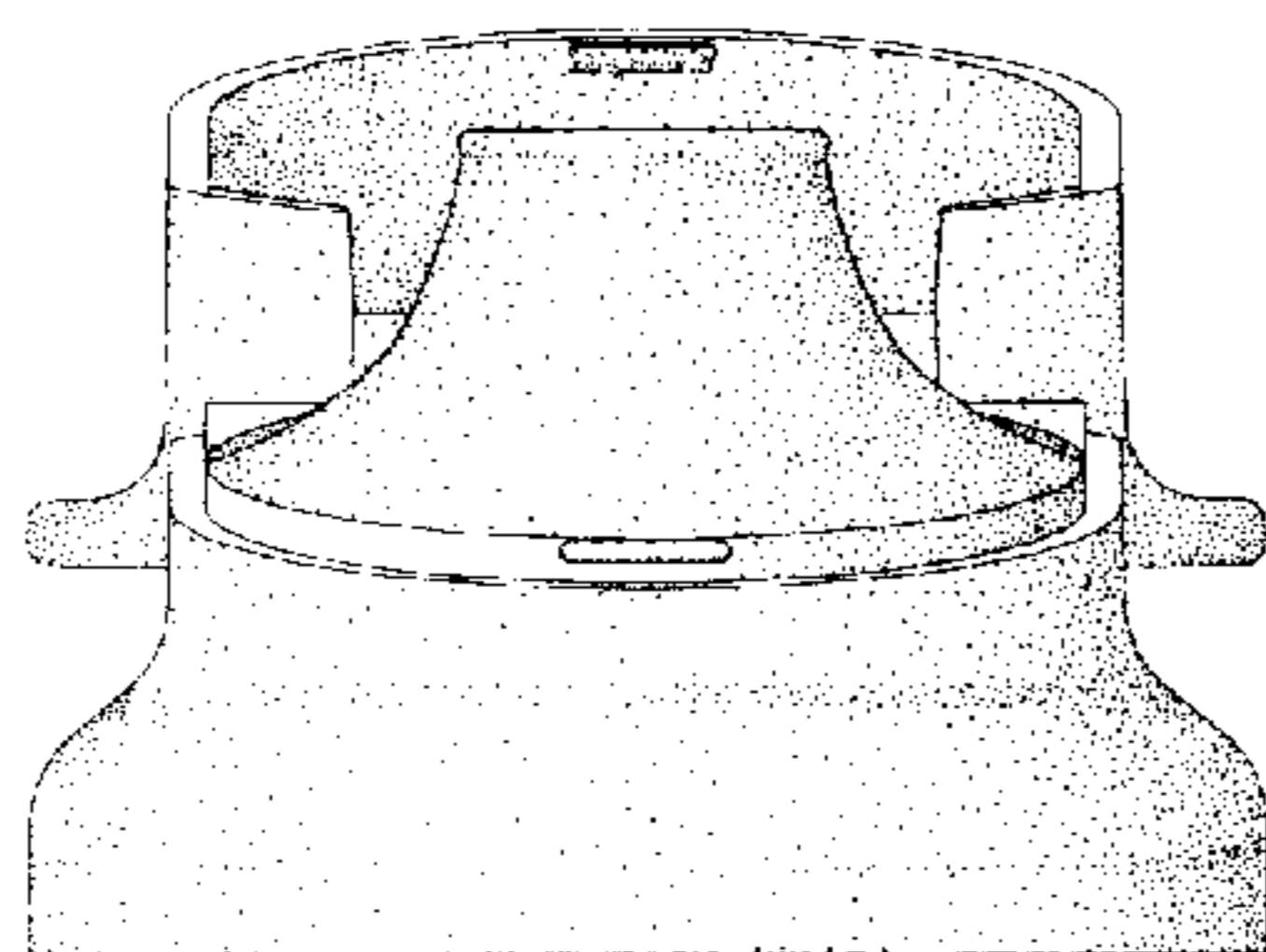


Fig. 3

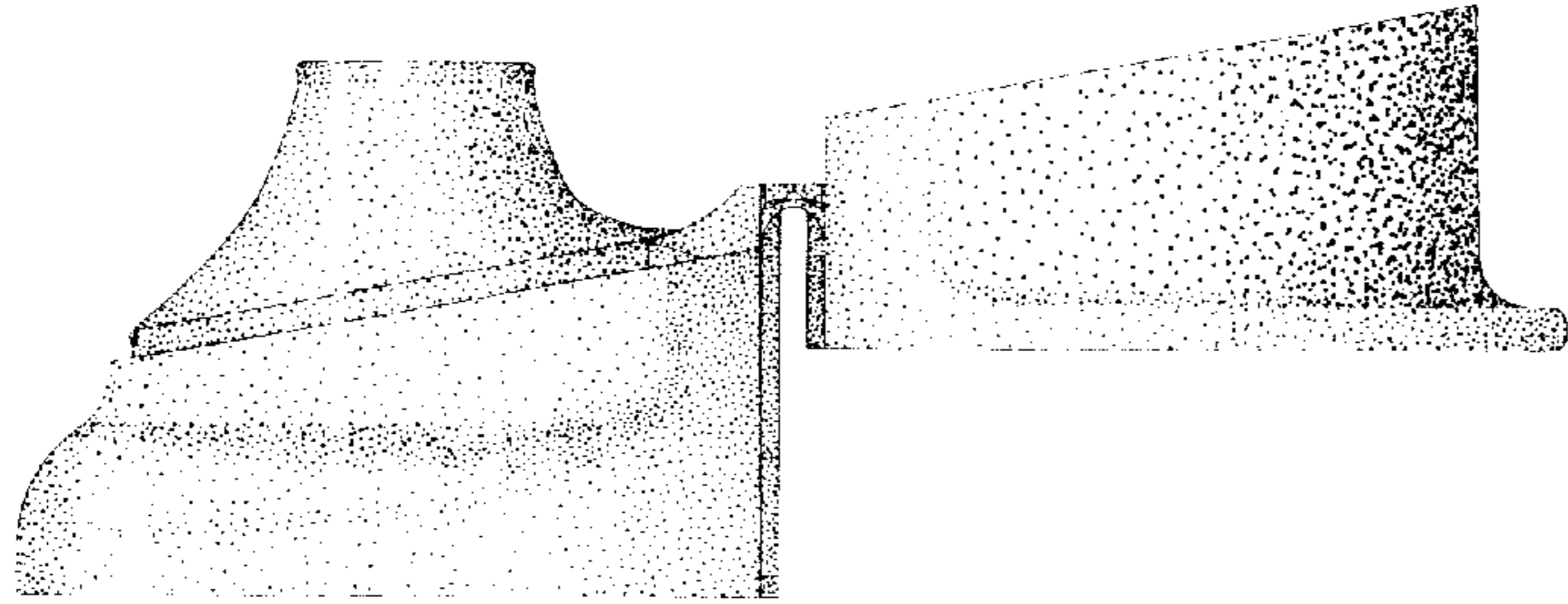


Fig. 4

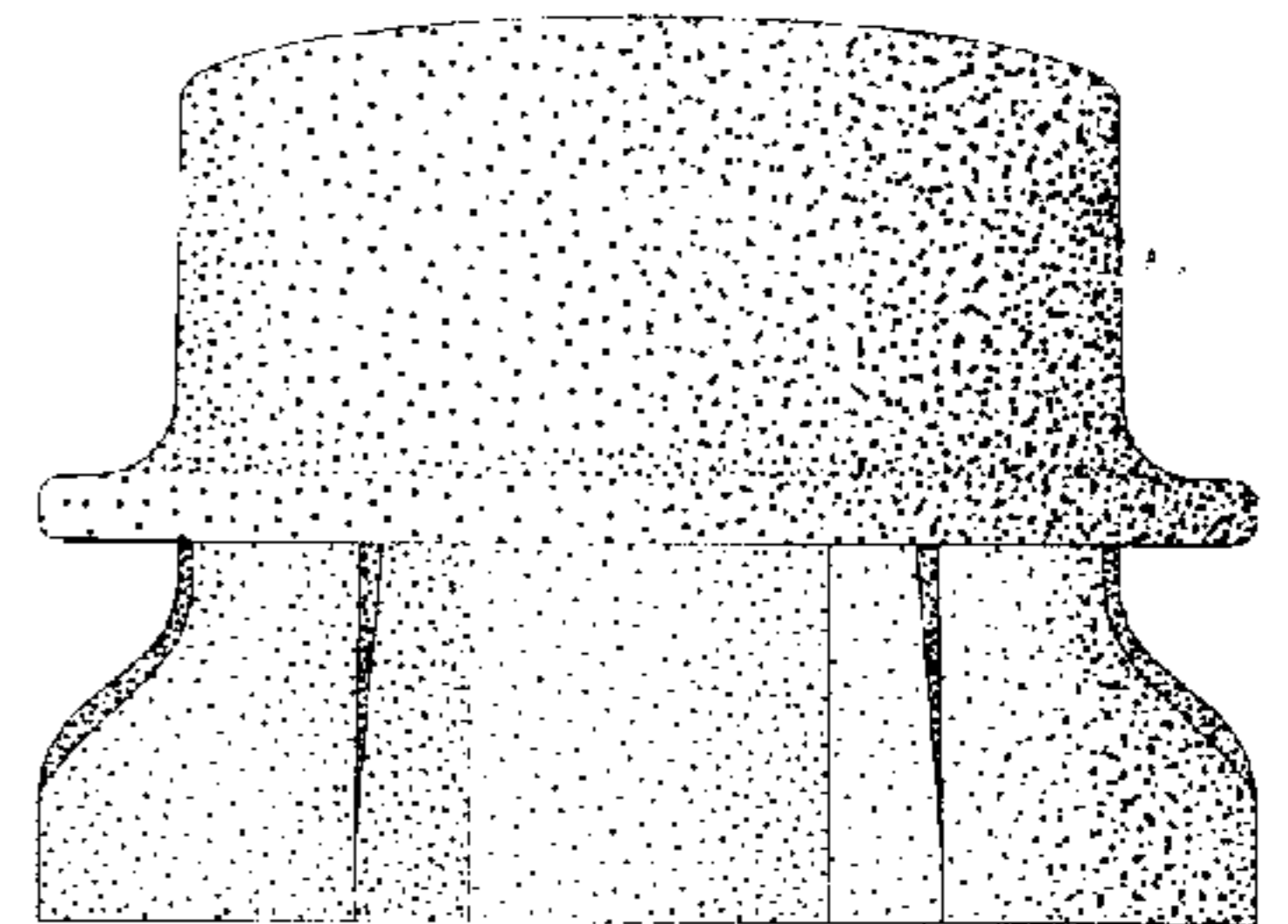


Fig. 5

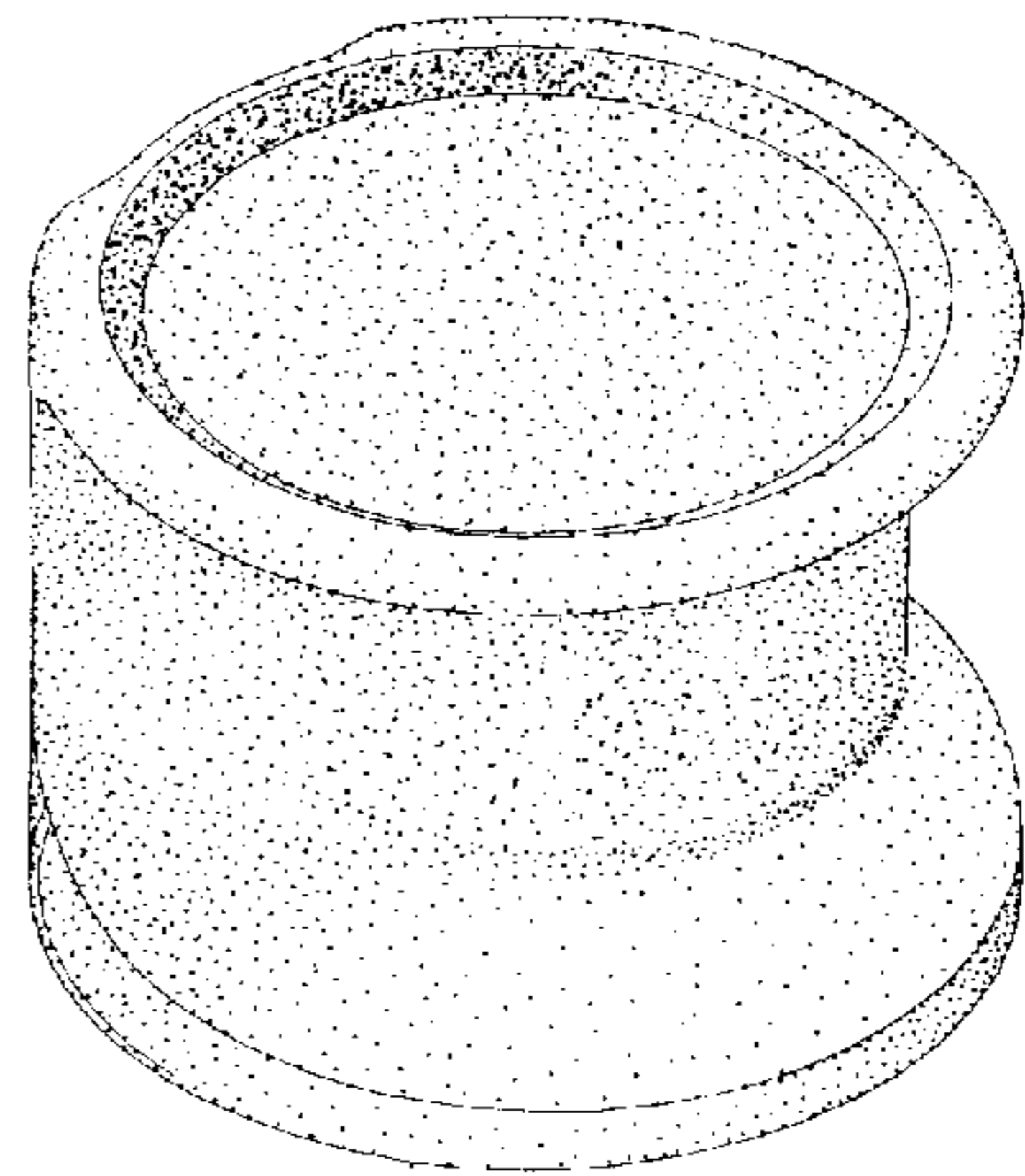


Fig. 6