



US00D440493S

(12) **United States Design Patent**
Santagiuliana

(10) **Patent No.:** **US D440,493 S**

(45) **Date of Patent:** **** Apr. 17, 2001**

(54) **PLASTIC DOSING CAP**

D. 223,812 * 6/1972 Long D9/453

D. 263,933 * 4/1982 Jones et al. D9/447

(75) Inventor: **Evans Santagiuliana, Vicenza (IT)**

* cited by examiner

(73) Assignee: **Taplast Spa (IT)**

Primary Examiner—Cathron Brooks

(**) Term: **14 Years**

(74) *Attorney, Agent, or Firm*—Dykema Gossett PLLC

(21) Appl. No.: **29/115,162**

(57) **CLAIM**

(22) Filed: **Mar. 14, 2000**

The ornamental design for a plastic dosing cap, as shown and described.

(51) **LOC (7) Cl.** **09-07**

DESCRIPTION

(52) **U.S. Cl.** **D9/447**

(58) **Field of Search** D9/436, 440, 447,
D9/449, 452, 453, 523, 525; 222/544, 546,
548, 550, 553, 562, 568

FIG. 1 is a front elevation of the dosing cap according to the invention;

FIG. 2 is a rear elevation thereof;

FIG. 3 is a top plan view thereof; and,

FIG. 4 is a side elevational view thereof.

(56) **References Cited**

U.S. PATENT DOCUMENTS

D. 201,402 * 6/1965 Bazarnic D9/436

1 Claim, 1 Drawing Sheet

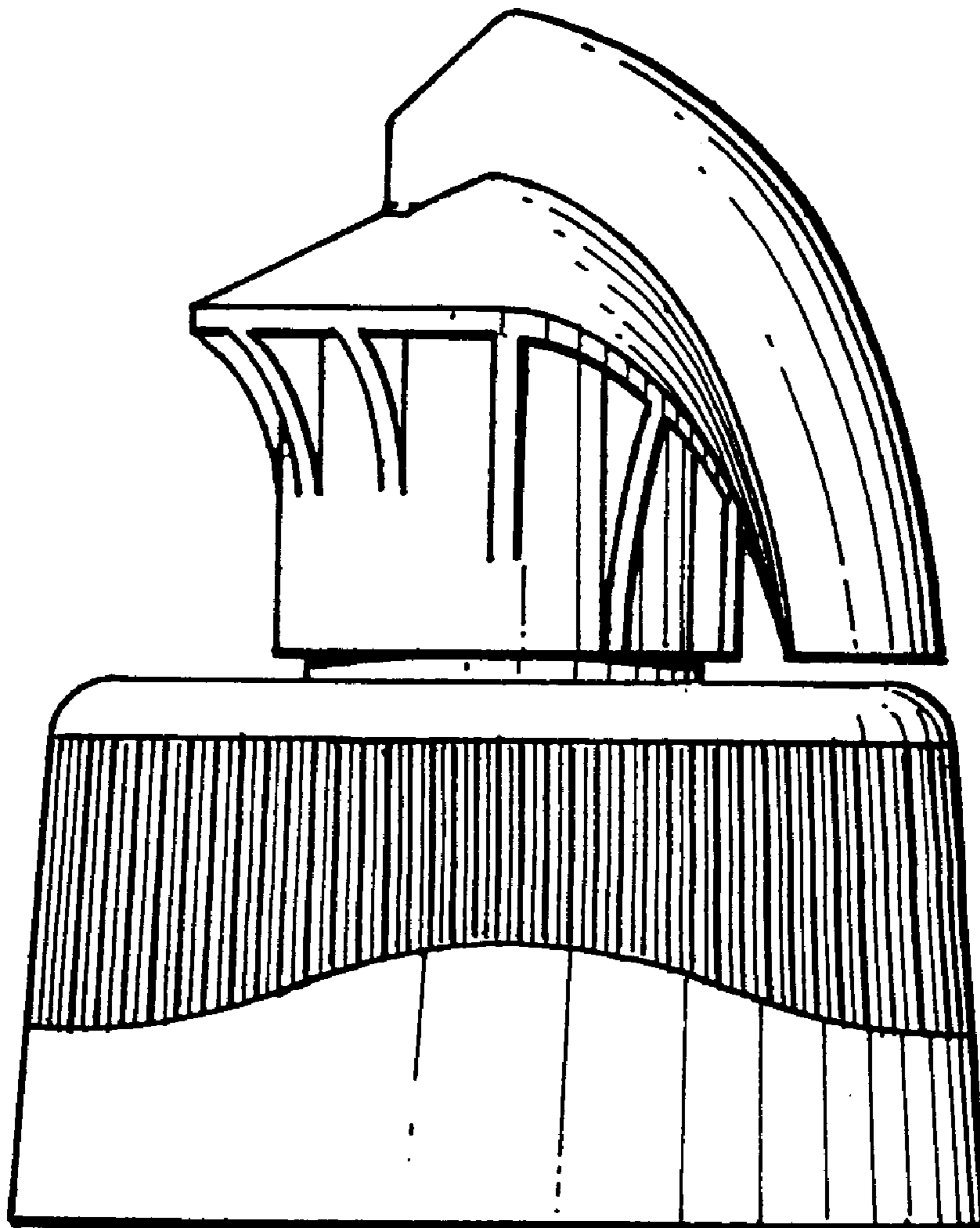


FIG. 1

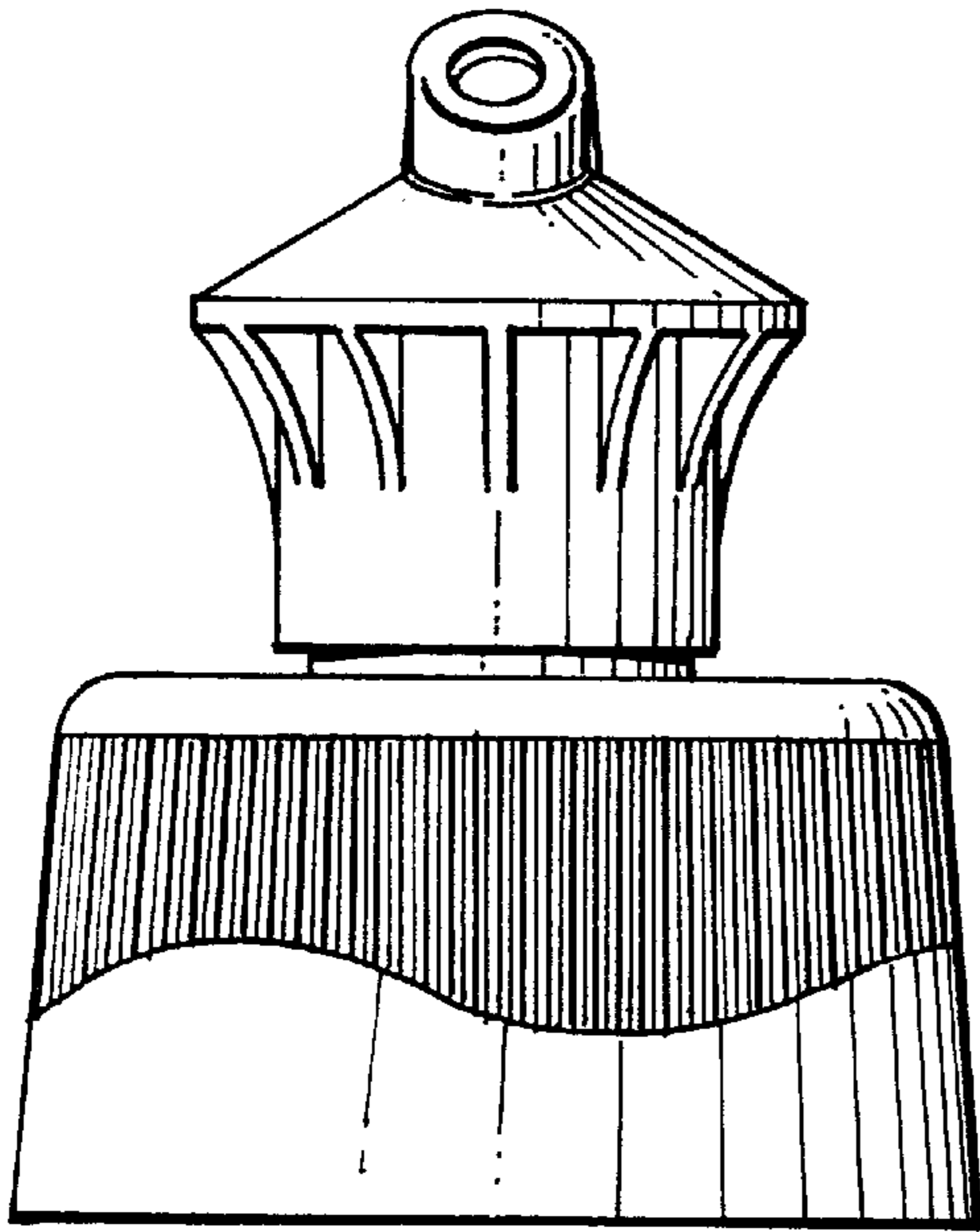


FIG. 2

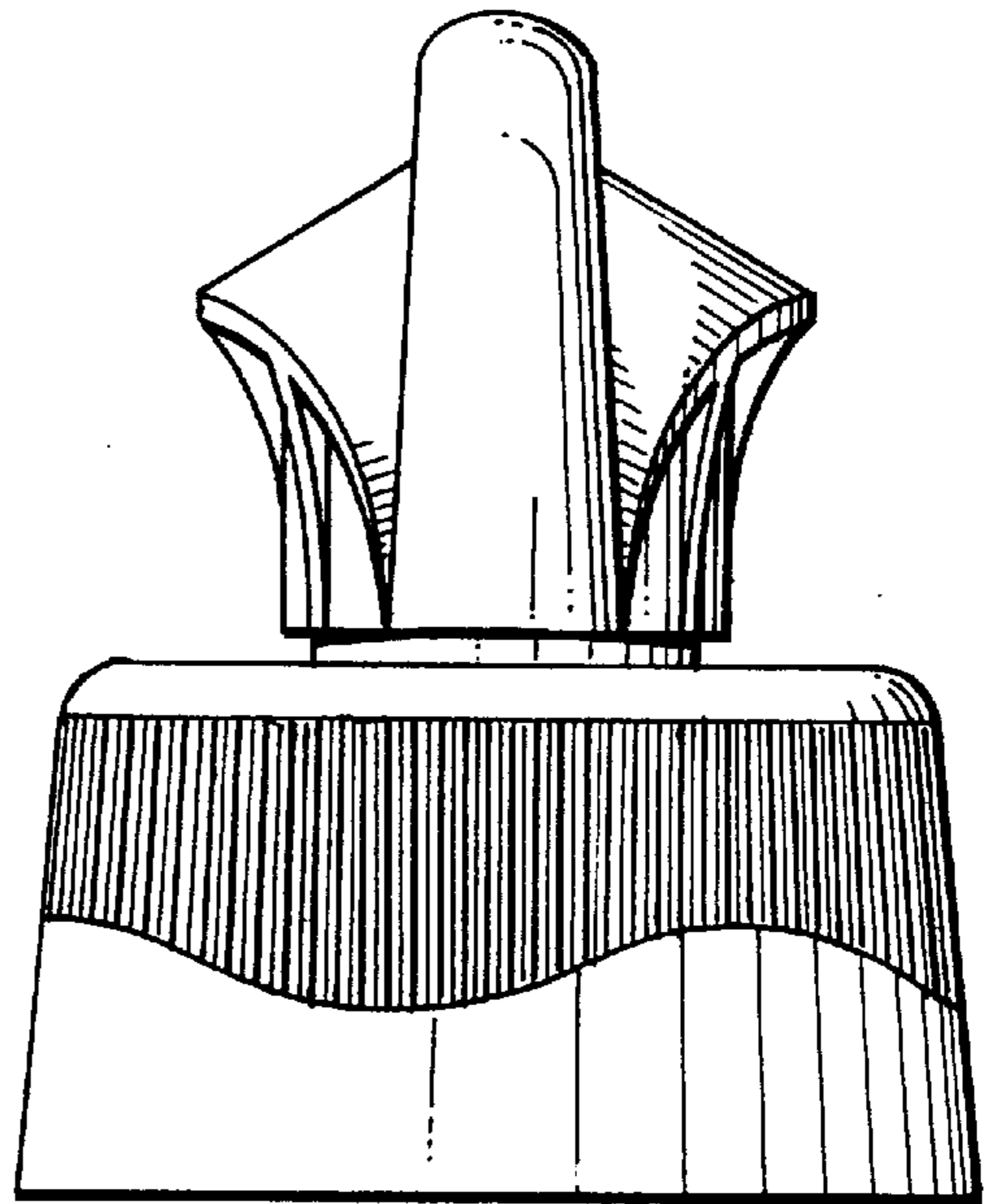


FIG. 3

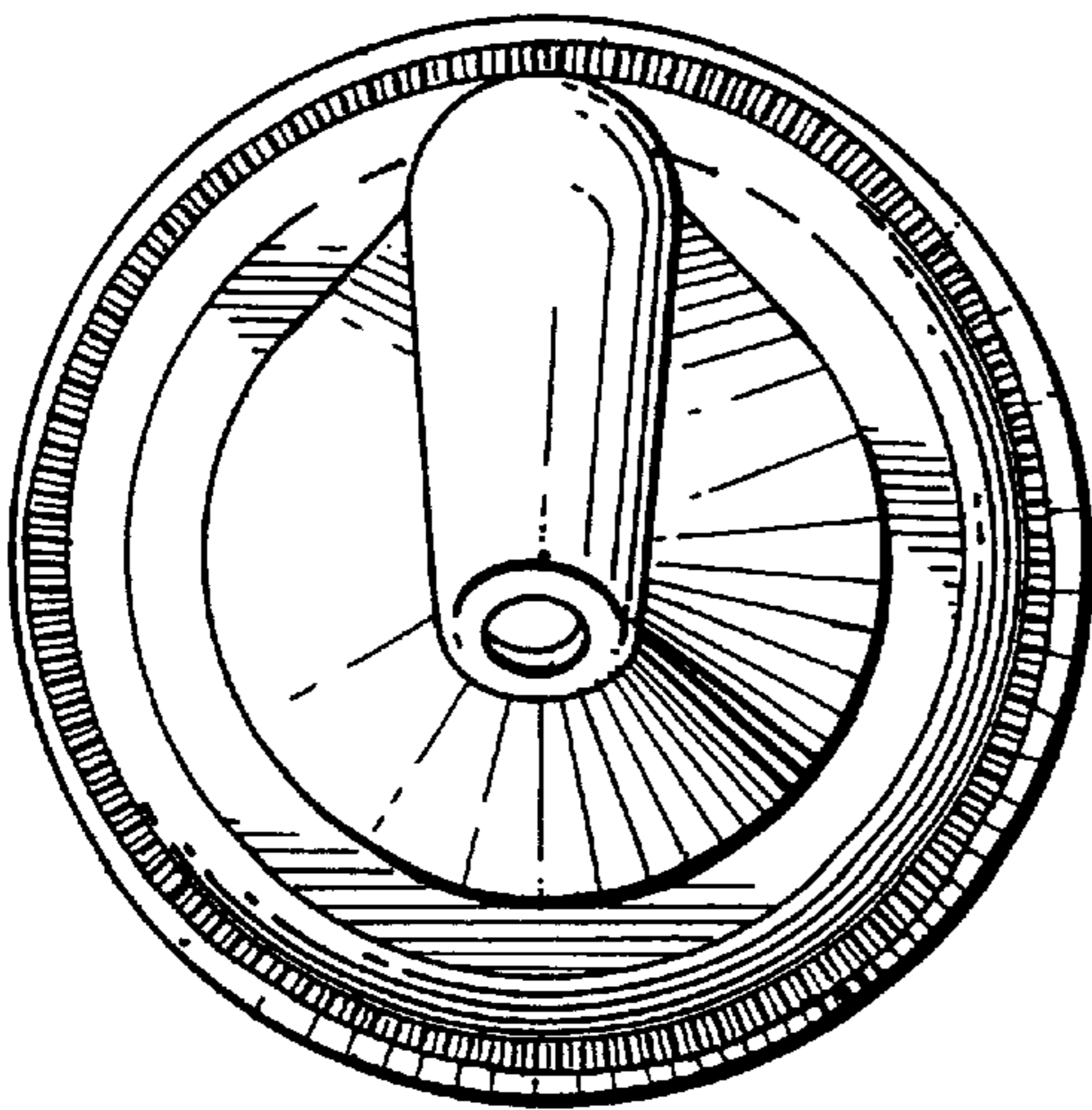


FIG. 4

