



US00D440490S

(12) **United States Design Patent**
Lizzio

(10) **Patent No.:** **US D440,490 S**

(45) **Date of Patent:** **** Apr. 17, 2001**

(54) **CONTAINER FOR TRANSPORTING HEATED FOOD, PARTICULARLY PIZZA AND THE LIKE**

(75) Inventor: **Filippo Lizzio**, Volpiano (IT)

(73) Assignee: **Agape Trade AG**, Geneva (CH)

(**) Term: **14 Years**

(21) Appl. No.: **29/117,005**

(22) Filed: **Jan. 18, 2000**

(30) **Foreign Application Priority Data**

Jul. 16, 1999 (IT) TO9900195

(51) **LOC (7) Cl.** **09-03**

(52) **U.S. Cl.** **D9/428**

(58) **Field of Search** D9/425-430, 423, D9/420; 229/902-906, 146, 125.27, 125.29, 116.1, 106, 938; 220/4.21, 4.26, 556

(56) **References Cited**

U.S. PATENT DOCUMENTS

D. 303,633	*	9/1989	Terauds	D9/428
D. 348,220	*	6/1994	Herzog et al.	D9/428
D. 351,345	*	10/1994	Geho	D9/430
1,945,397	*	1/1934	Gray	229/906
3,771,713	*	11/1973	Davidson	229/903
5,441,166	*	8/1995	Lucas, Jr. et al.	D9/429 X
5,542,540	*	8/1996	Knapp et al.	229/902
5,588,587	*	12/1996	Stler et al.	229/903
5,900,264	*	5/1999	Gics	229/903

* cited by examiner

Primary Examiner—Prabhakar Deshmukh

(74) *Attorney, Agent, or Firm*—Sughrue, Mion, Zinn, Macpeak & Seas, PLLC

(57) **CLAIM**

The ornamental design for a container for transporting heated food, particularly pizza and the like, as shown and described.

DESCRIPTION

FIG. 1 is a perspective view from above—closed container—of a container for transporting heated food, particularly pizza and the like and shows our design;

FIG. 2 is a perspective view from above—partially open container—of the container for transporting heated food, particularly pizza and the like;

FIG. 3 is a perspective view from above—fully open container—of the container for transporting heated food, particularly pizza and the like;

FIG. 4 is a perspective view from below—fully open container—of the container for transporting heated food, particularly pizza and the like;

FIG. 5 is a top plan view—closed container—of the container for transporting heated food, particularly pizza and the like;

FIG. 6 is a rear side view—closed container—of the container for transporting heated food, particularly pizza and the like;

FIG. 7 is a bottom plan view—closed container—of the container for transporting heated food, particularly pizza and the like;

FIG. 8 is a front side view—closed container—of the container for transporting heated food, particularly pizza and the like;

FIG. 9 is a right side view—closed container—of the container for transporting heated food, particularly pizza and the like; and,

FIG. 10 is a left side view—closed container—of the container for transporting heated food, particularly pizza and the like.

1 Claim, 5 Drawing Sheets

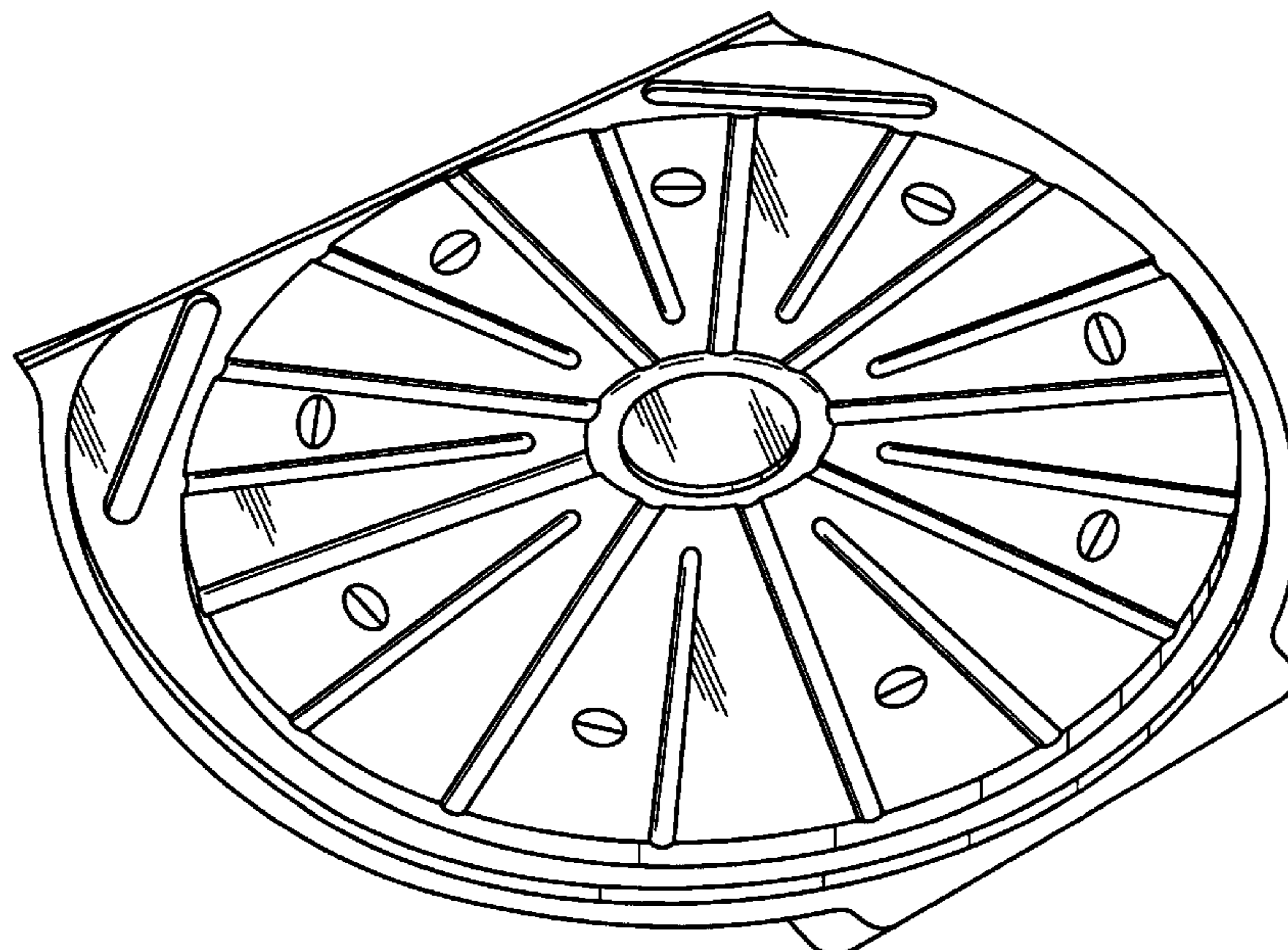


FIG. 1

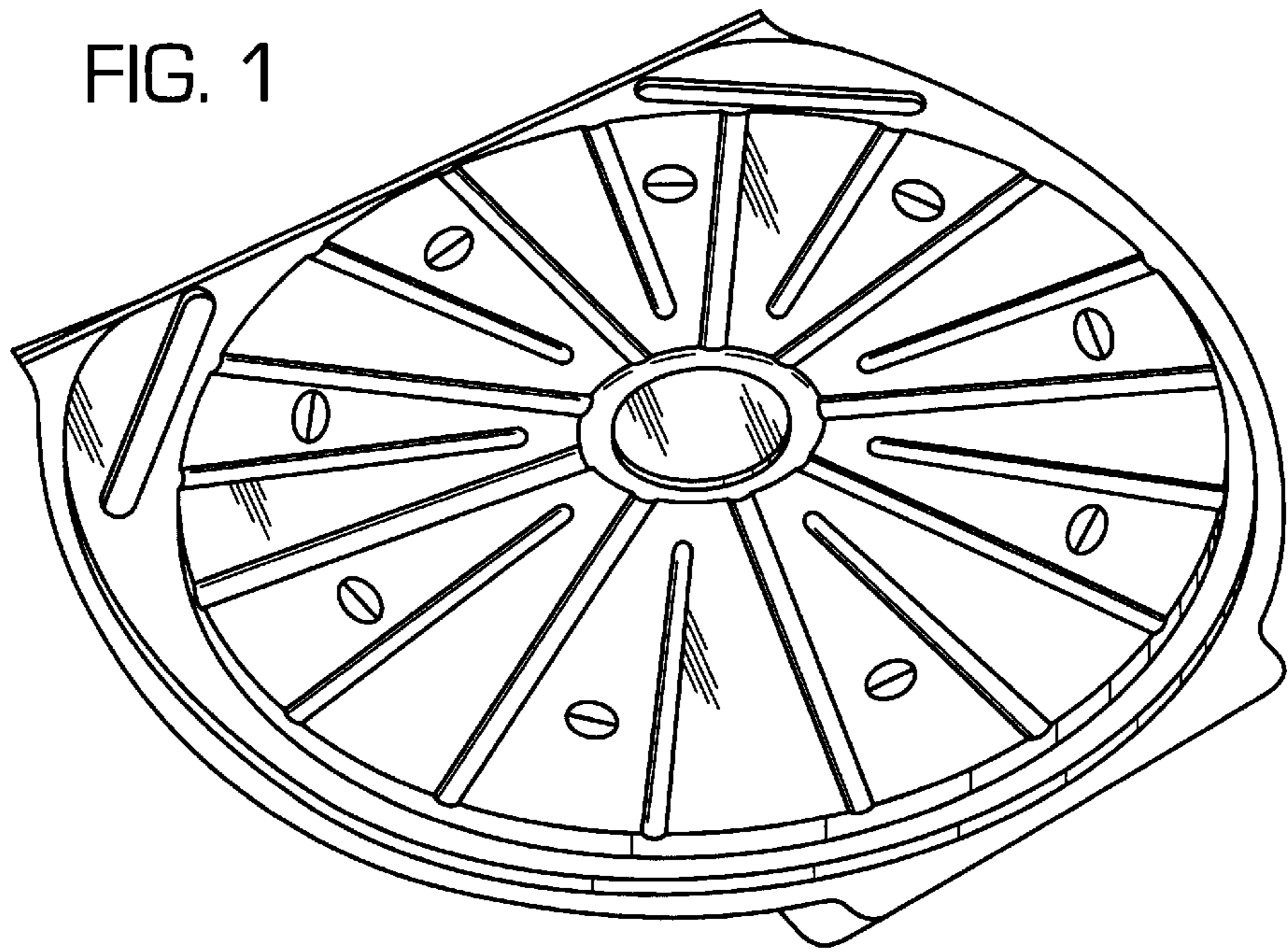


FIG. 2

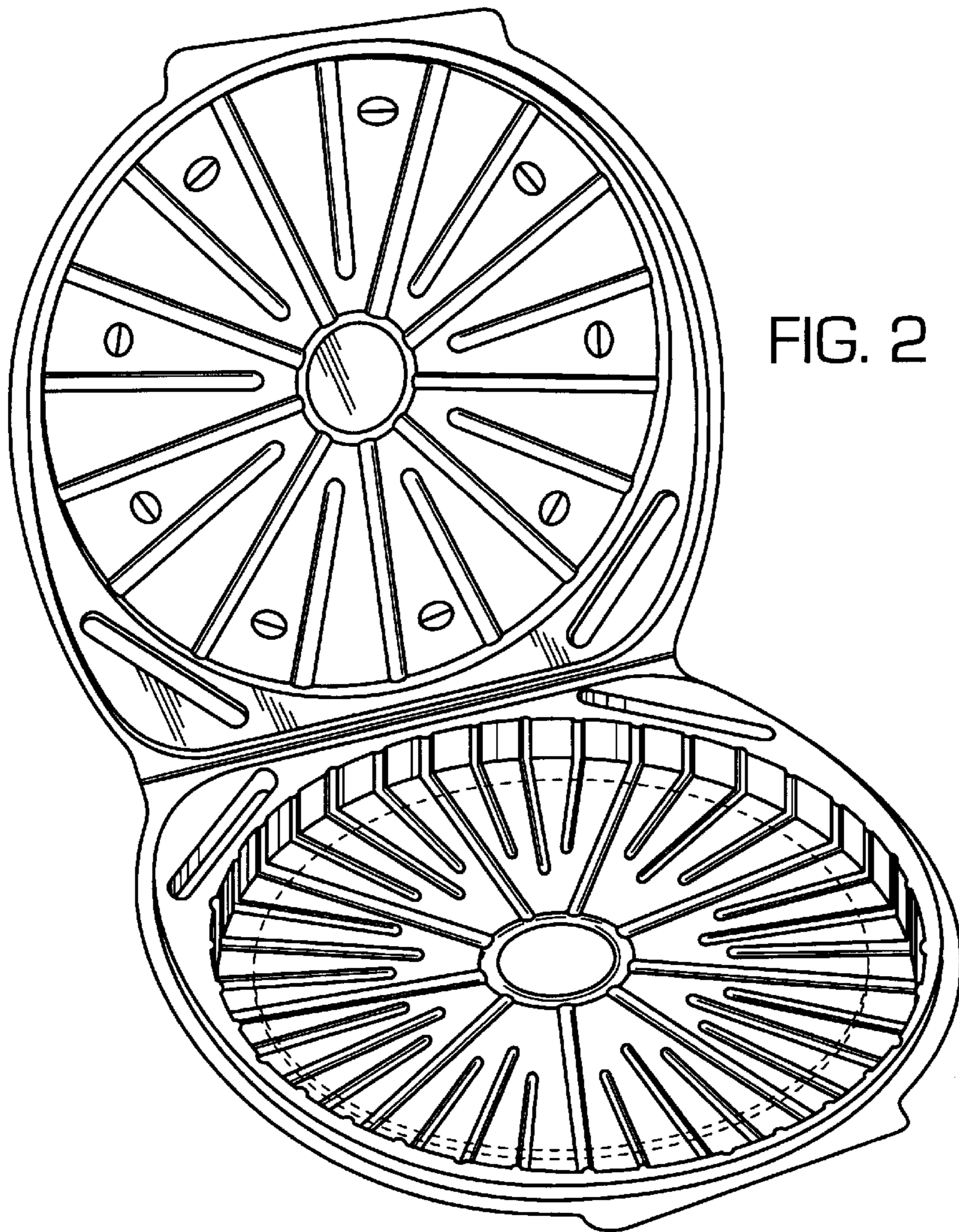


FIG. 3

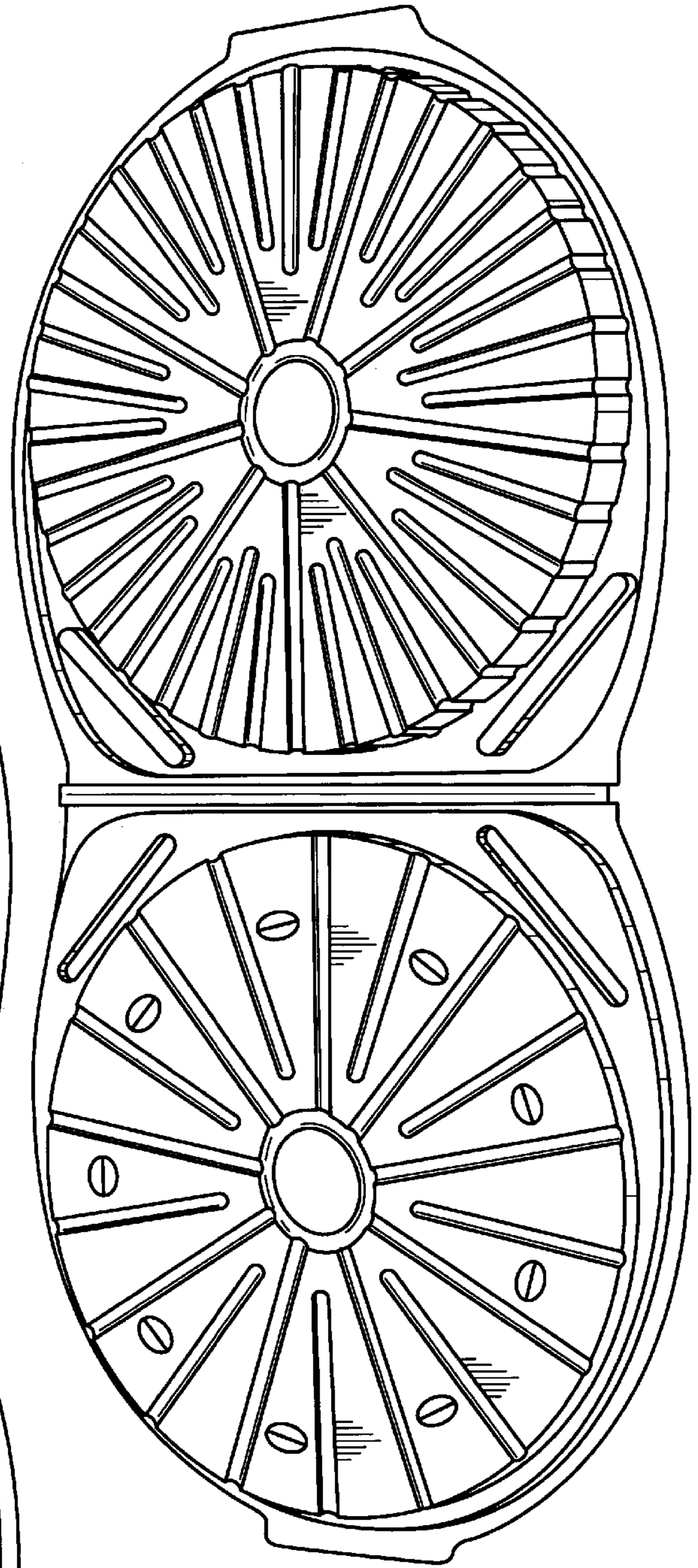
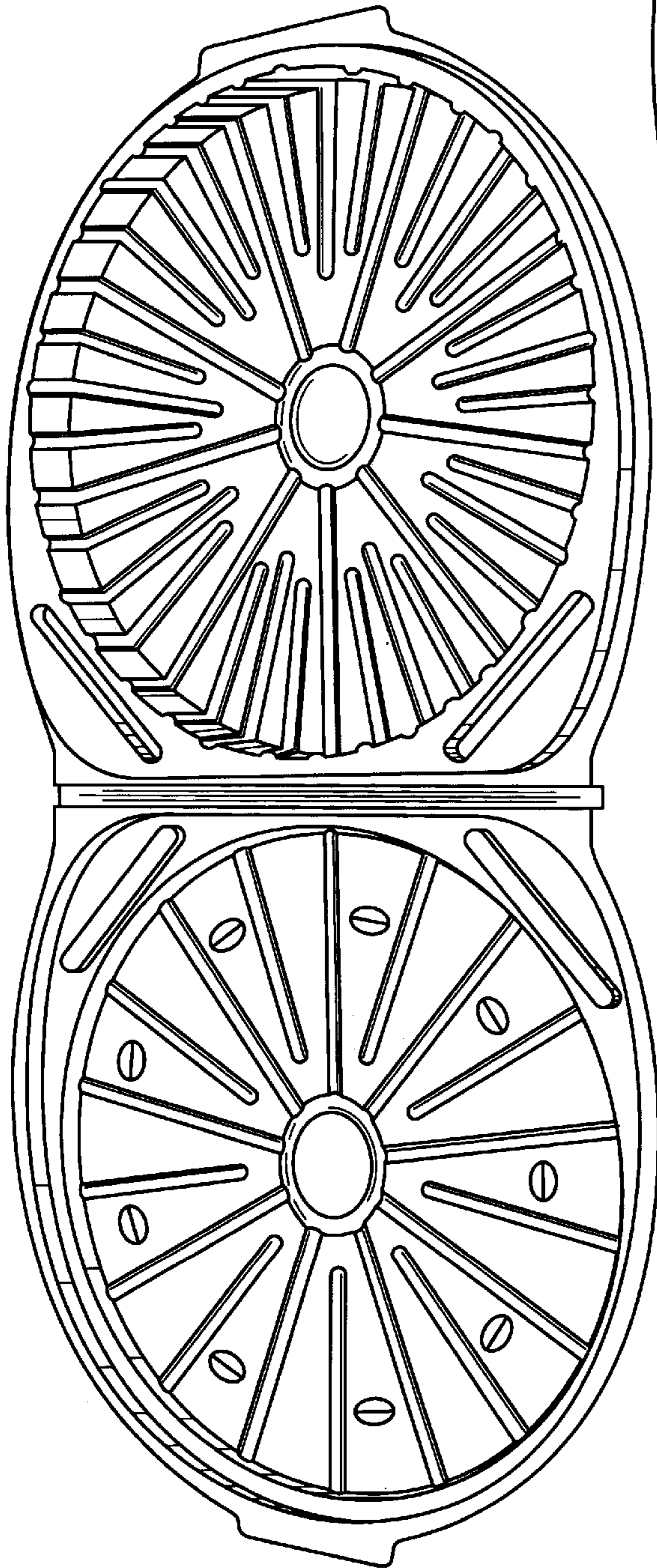


FIG. 4

FIG. 6

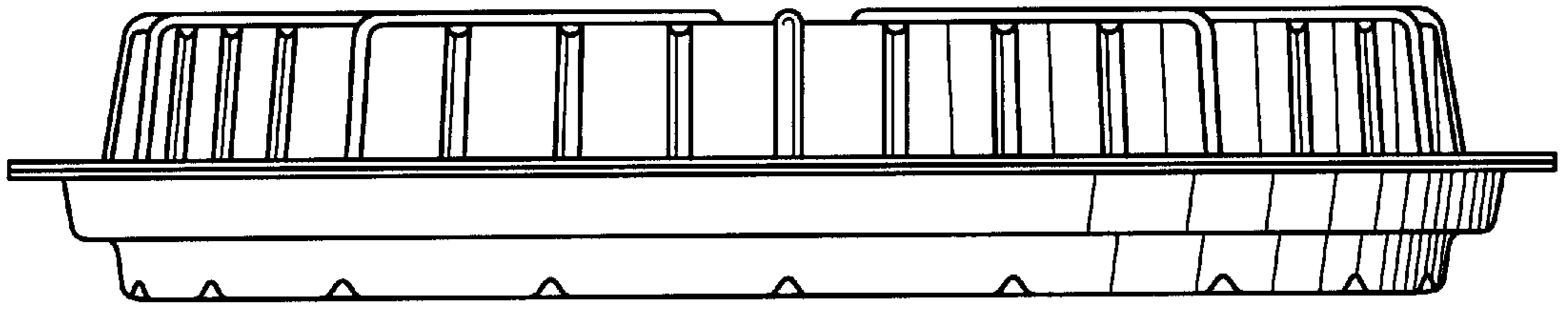


FIG. 5

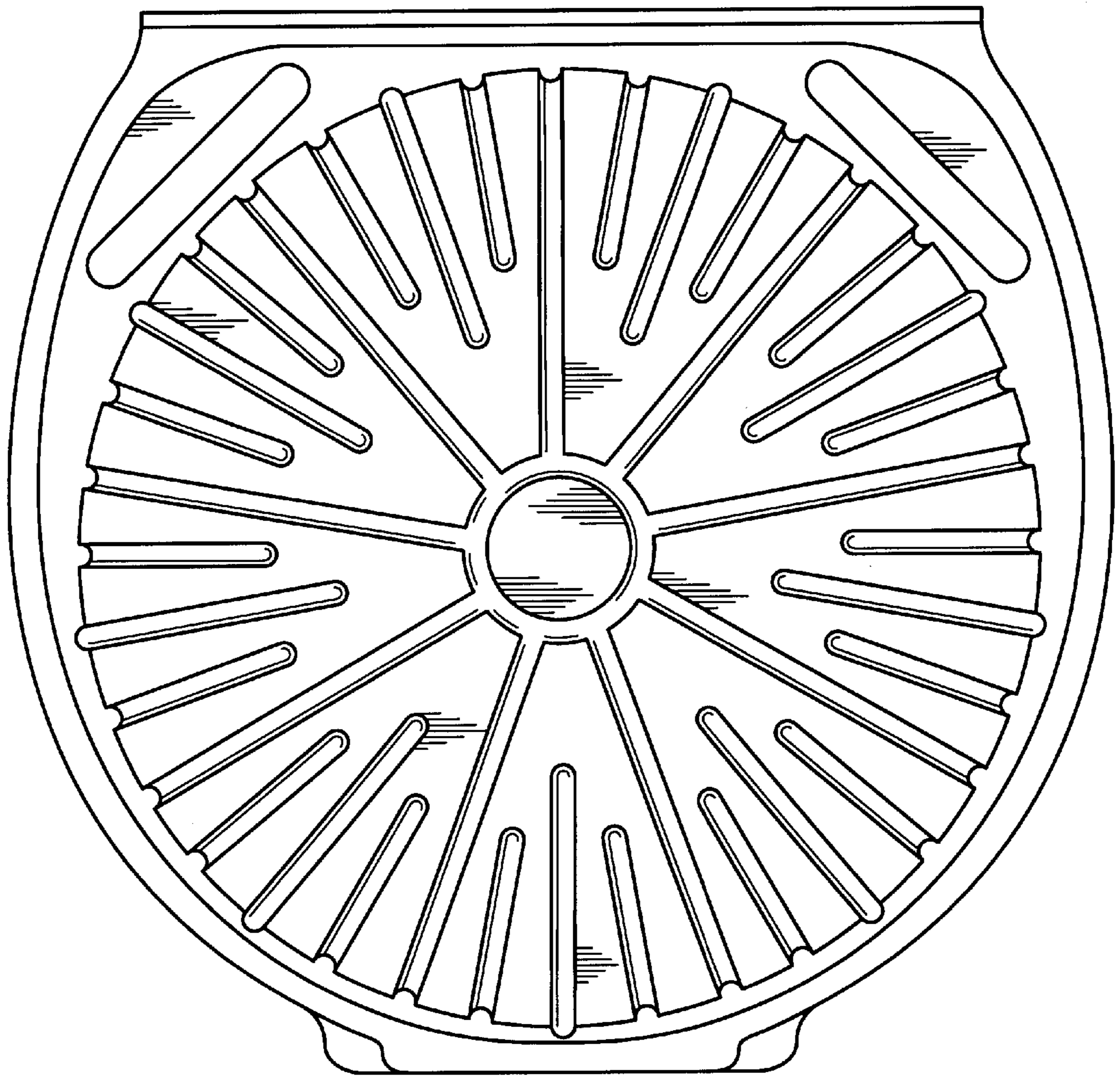


FIG. 8

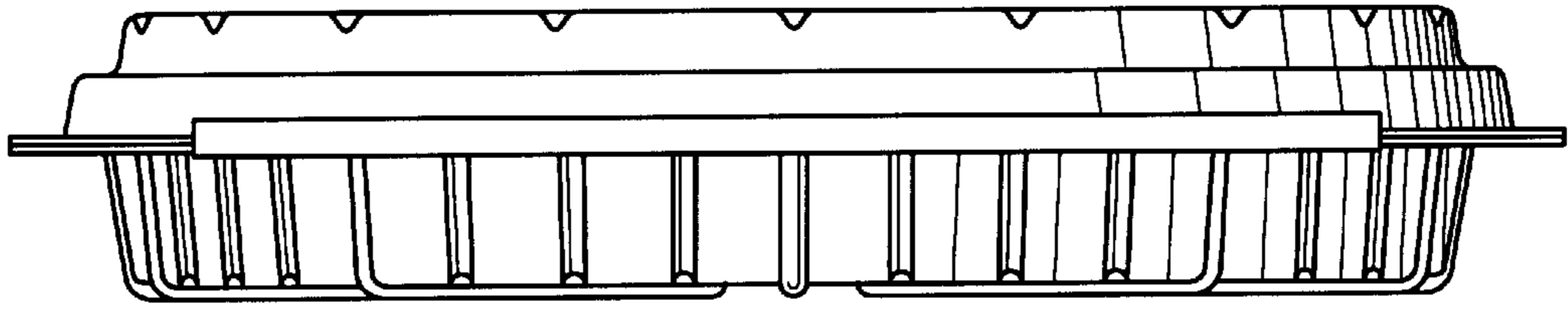


FIG. 7

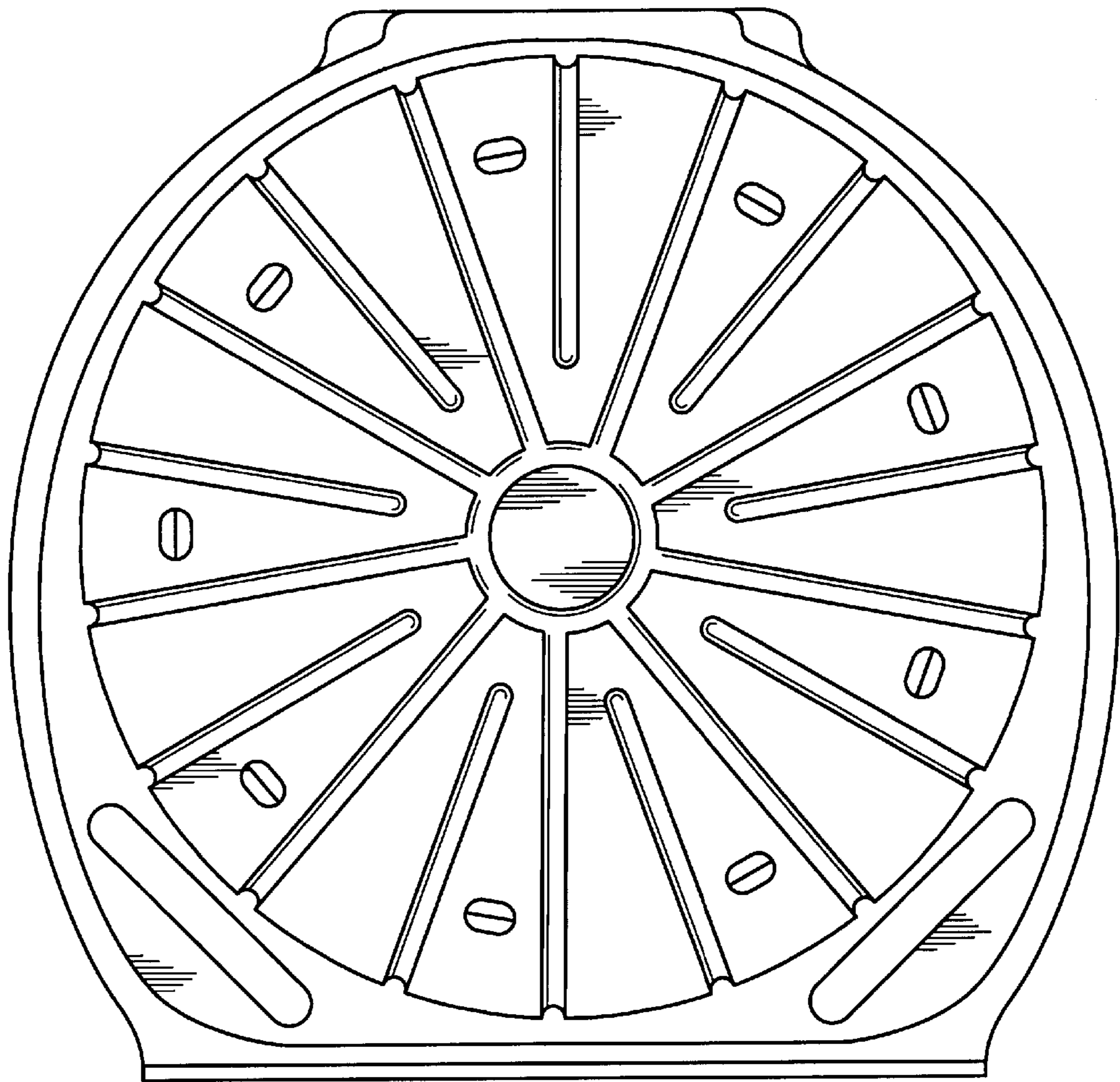


FIG. 9

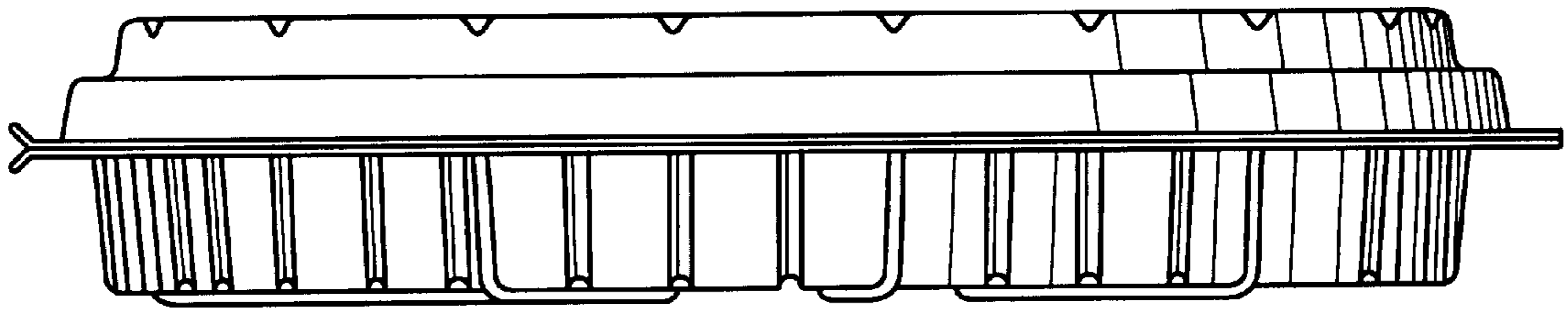


FIG. 10

