



US00D440484S

(12) **United States Design Patent**
Watson

(10) **Patent No.:** **US D440,484 S**

(45) **Date of Patent:** **** Apr. 17, 2001**

(54) **FRAME CLIP**

5,537,724 * 7/1996 Chou 24/530

(76) Inventor: **William Melville Pryde Watson**, 15
Peel Avenue, Brampton, Ontario (CA),
L6W 1X1

* cited by examiner

Primary Examiner—Holly Baynham

(**) Term: **14 Years**

(57) **CLAIM**

(21) Appl. No.: **29/119,755**

An ornamental design for a frame clip, as shown.

(22) Filed: **Mar. 8, 2000**

DESCRIPTION

(51) **LOC (7) Cl.** **08-08**

(52) **U.S. Cl.** **D8/382**

(58) **Field of Search** D8/371, 382; 248/496;
24/530, 562

FIG. 1 is a side elevation view of the frame clip;
FIG. 2 is a top plan view of the frame clip;
FIG. 3 is an end view of the frame clip;
FIG. 4 is a second end view of the frame clip; and,
FIG. 5 is a perspective view of the frame clip.

(56) **References Cited**

U.S. PATENT DOCUMENTS

D. 364,553 * 11/1995 Wilson D8/373

1 Claim, 2 Drawing Sheets

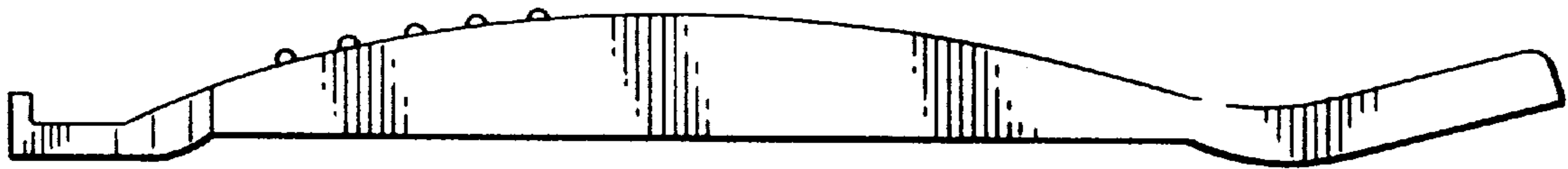


FIG. 1.

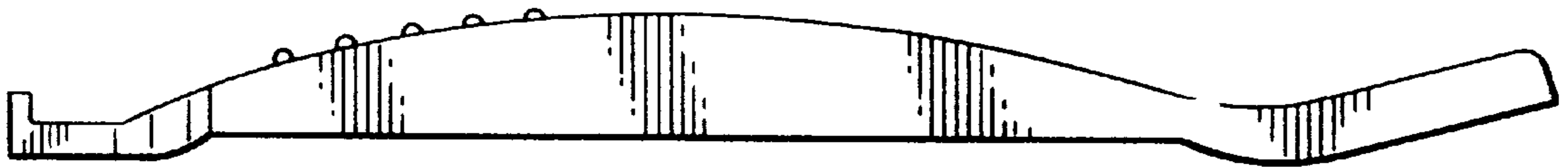


FIG. 2.

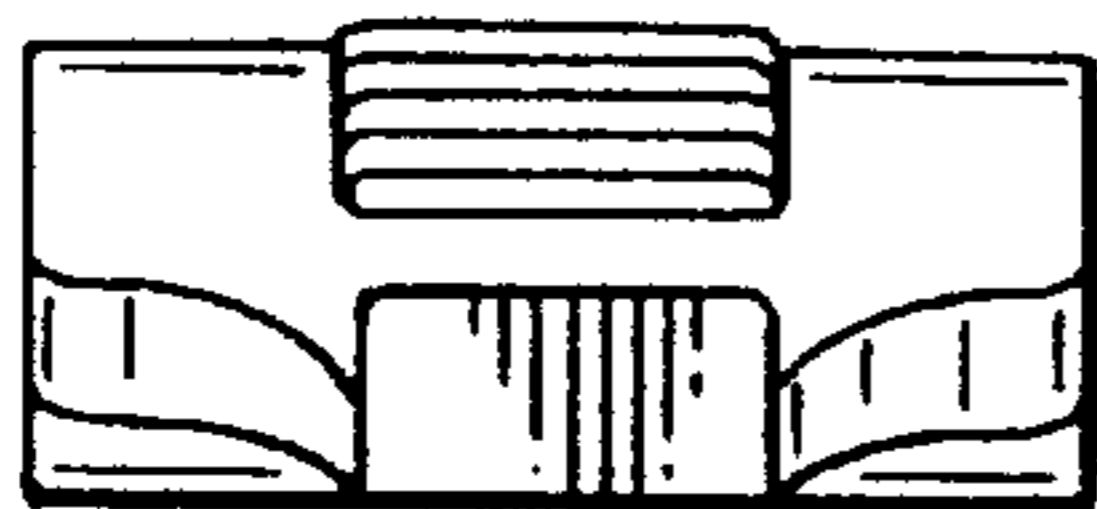
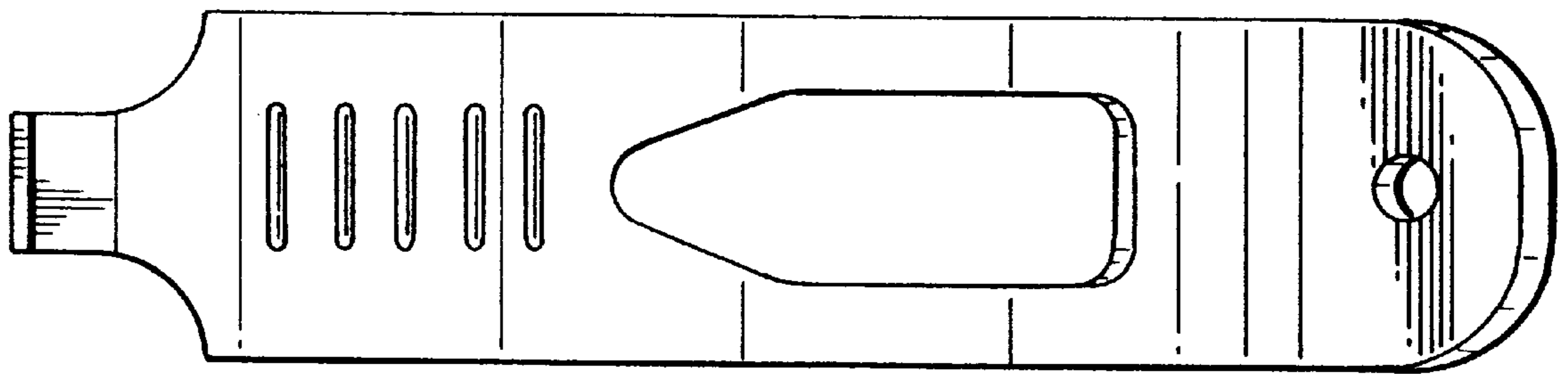


FIG. 3.

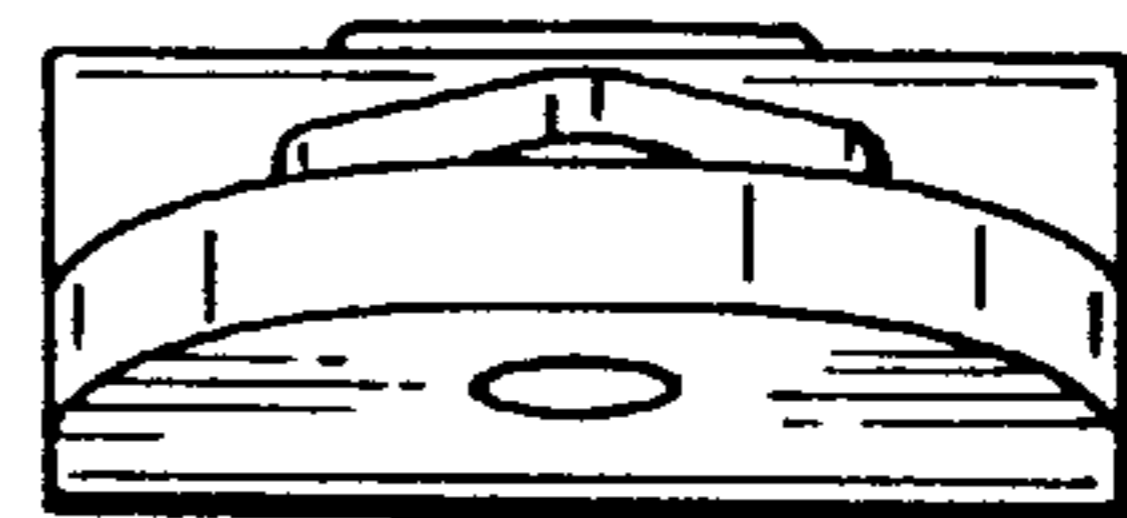


FIG. 4.

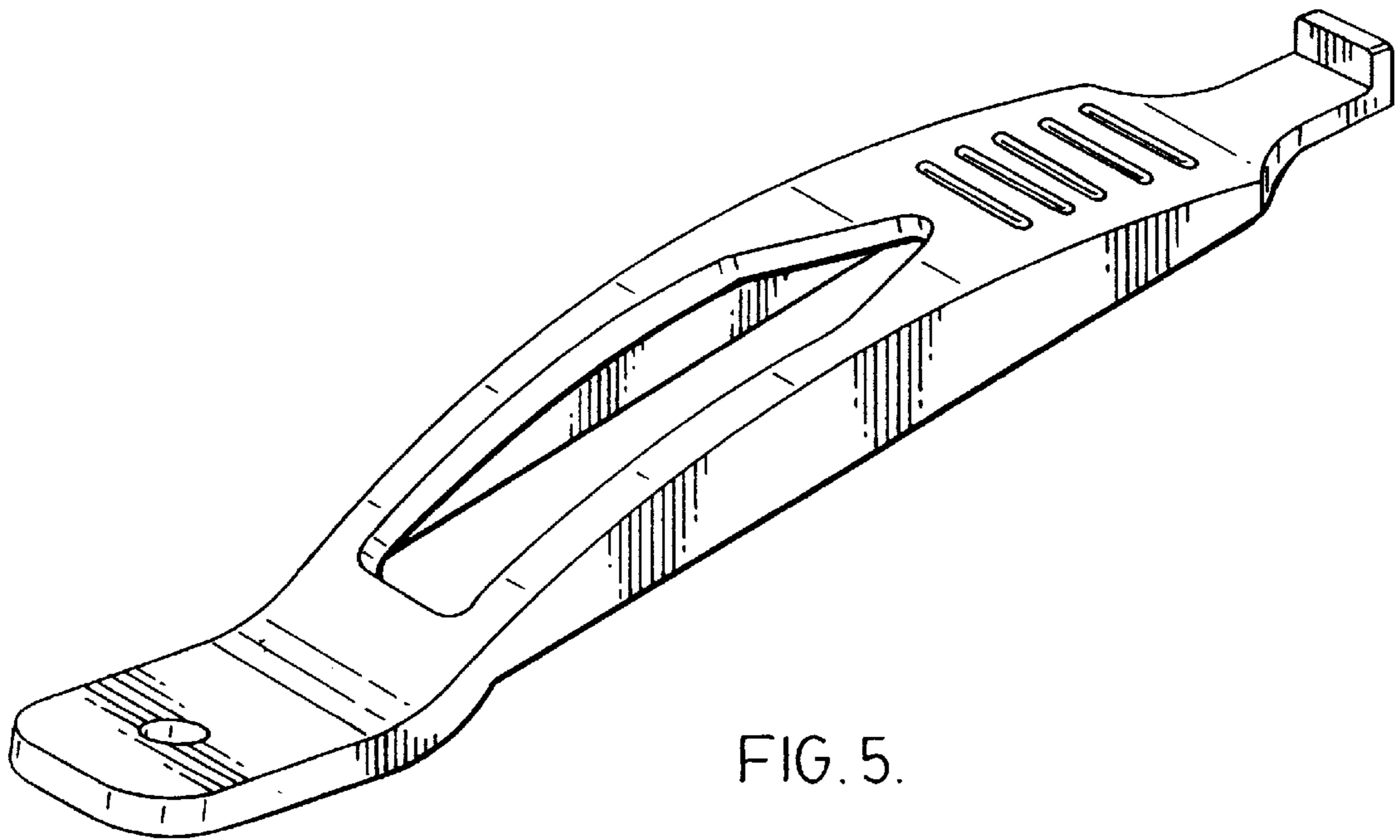


FIG. 5.