



US00D440483S

(12) **United States Design Patent**
Bushey

(10) **Patent No.:** **US D440,483 S**

(45) **Date of Patent:** **** Apr. 17, 2001**

(54) **CASTER CUP**

(76) **Inventor:** **Richard D. Bushey**, 1596 38th Ave.,
Kenosha, WI (US) 53144

(**) **Term:** **14 Years**

(21) **Appl. No.:** **29/117,053**

(22) **Filed:** **Jan. 14, 2000**

(51) **LOC (7) Cl.** **08-05**

(52) **U.S. Cl.** **D8/374**

(58) **Field of Search** D8/374; 248/346.01,
248/188.1, 188.8, 188.9; 16/21

(56) **References Cited**

U.S. PATENT DOCUMENTS

- D. 44,952 * 12/1913 Buser D8/374
- 931,378 * 8/1909 Booth 248/346.01
- 3,080,601 * 3/1963 Kramesak, Jr. 16/21

OTHER PUBLICATIONS

Bradley Hdwe Cat., p. 457, Jun. 1943, caster cup, circled
item at left.*

* cited by examiner

Primary Examiner—Holly Baynham

(74) *Attorney, Agent, or Firm*—Jansson, Shupe, Munger &
Stomma, Ltd

(57) **CLAIM**

The ornamental design for a caster cup, as shown and
described.

DESCRIPTION

FIG. 1 is an isometric view of a caster cup in accordance
with the present invention;

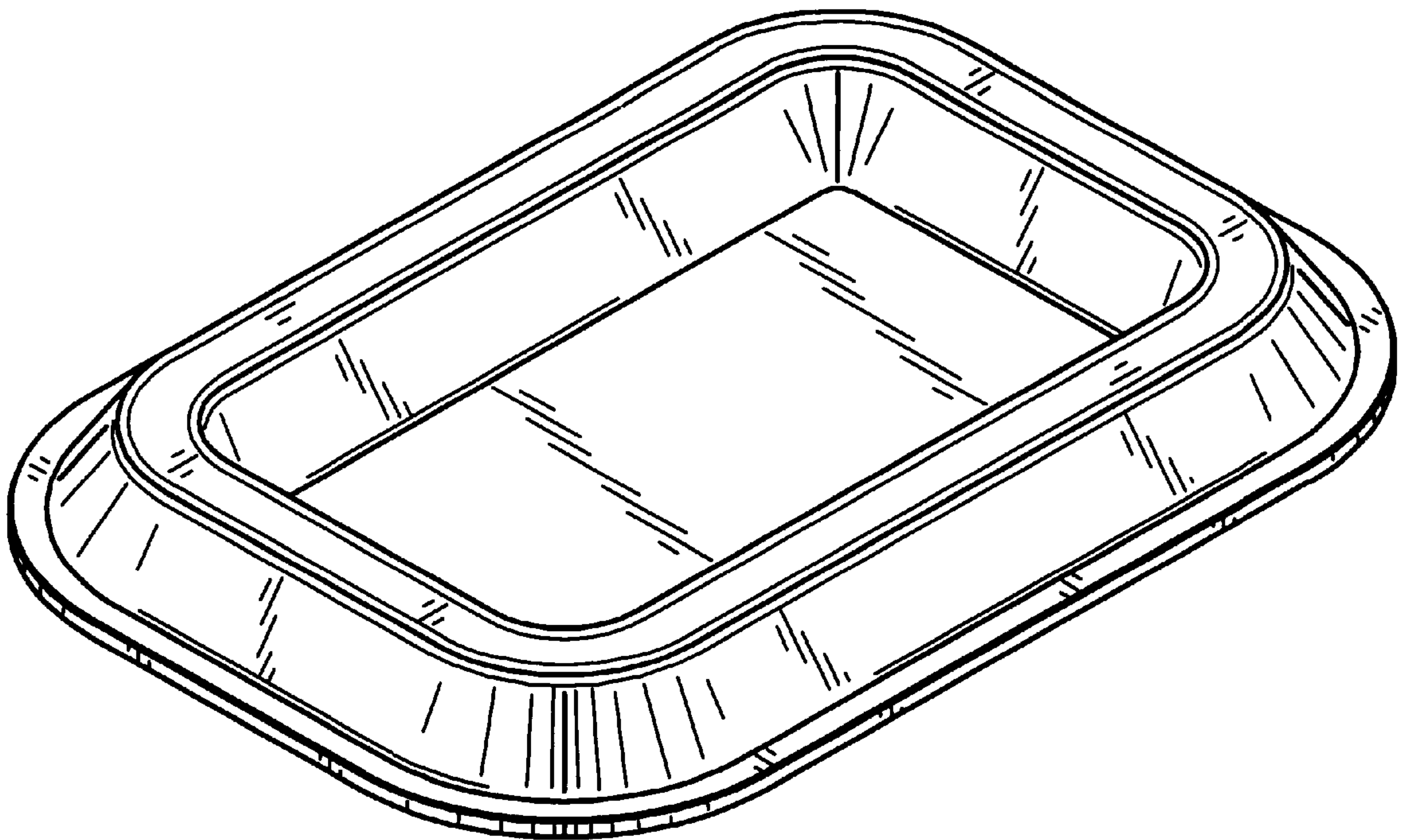
FIG. 2 is an end view of the caster cup of FIG. 1;

FIG. 3 is a side elevational view of the caster cup of FIG. 1;

FIG. 4 is a top plan view of the caster cup of FIG. 1; and,

FIG. 5 is a bottom plan view of the caster cup of FIG. 1.

1 Claim, 2 Drawing Sheets



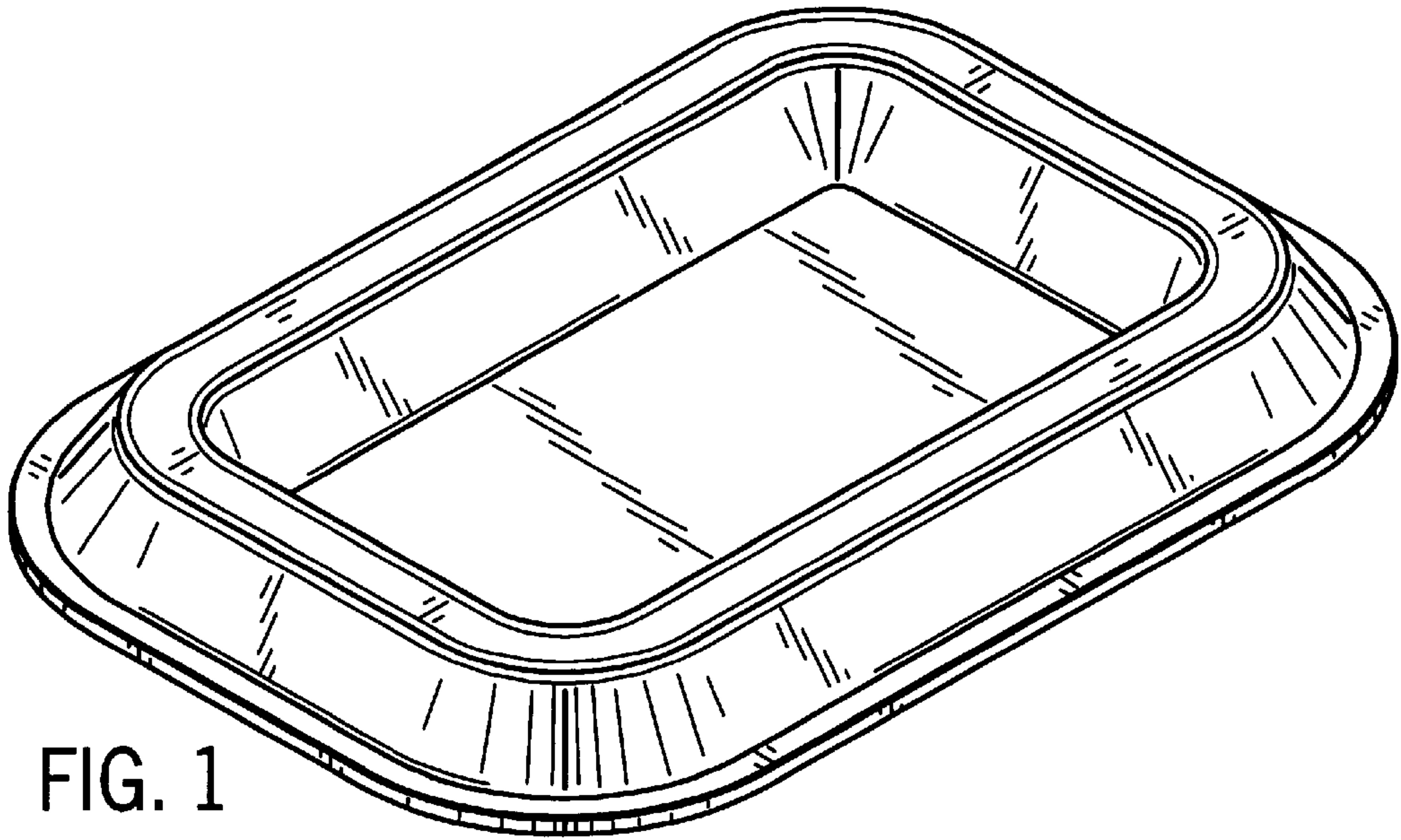


FIG. 1

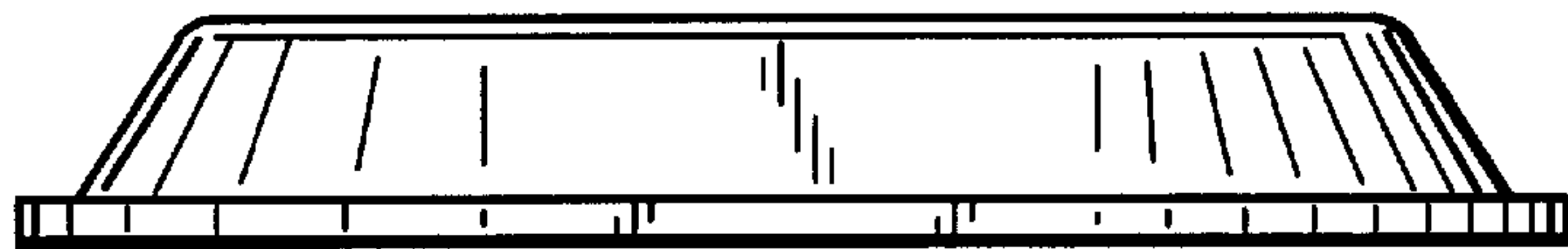


FIG. 2



FIG. 3

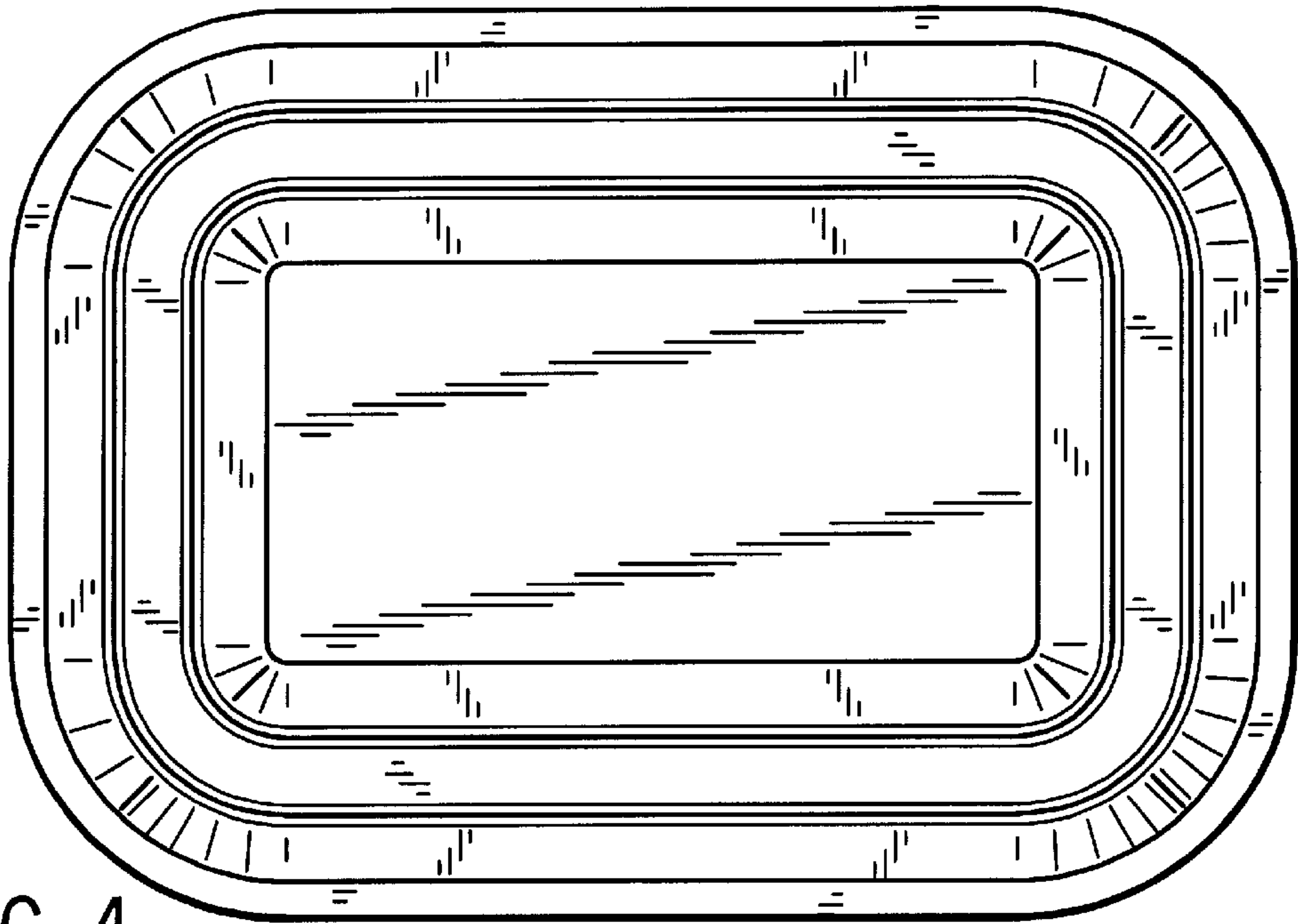


FIG. 4

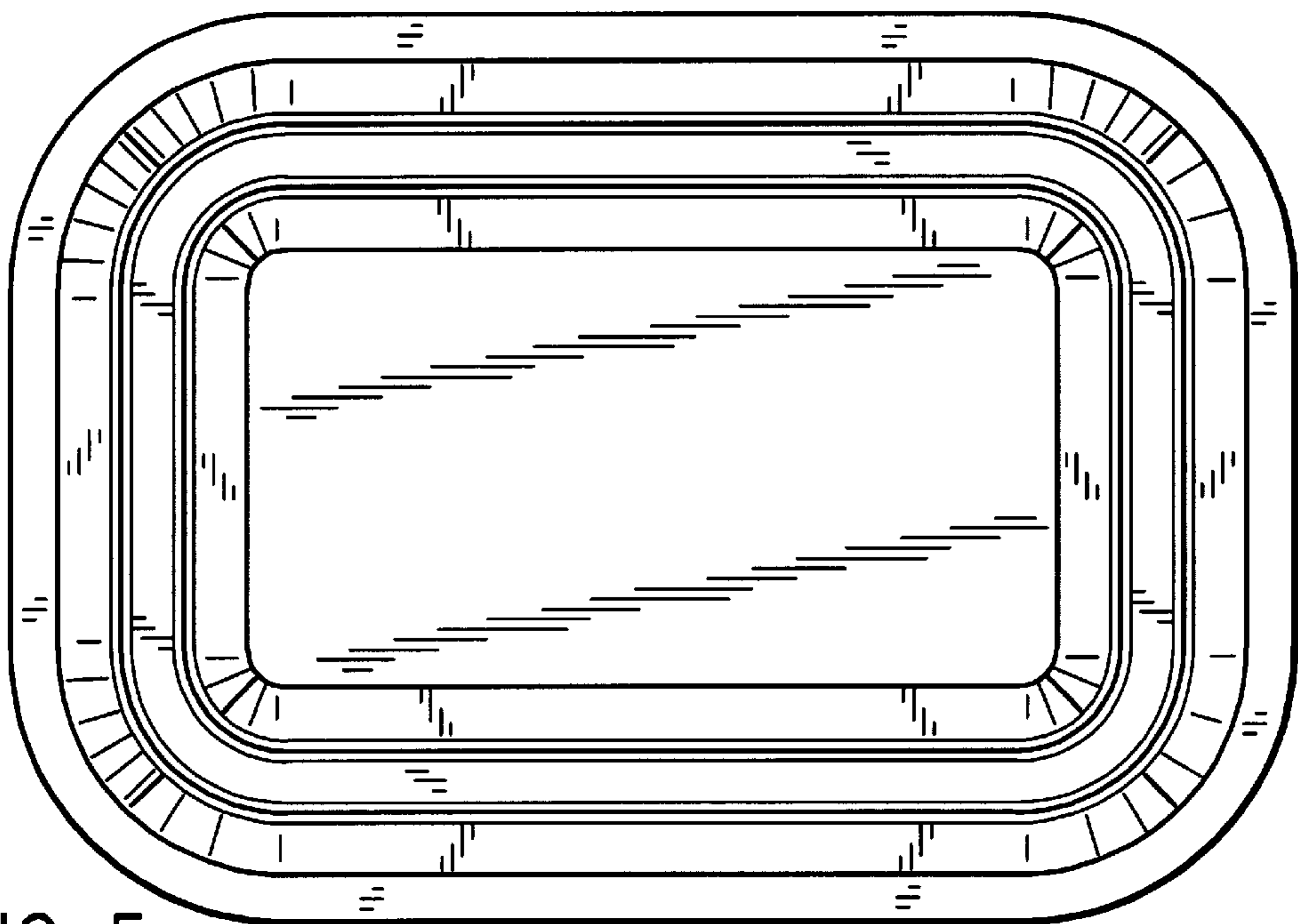


FIG. 5