



US00D440476S

(12) **United States Design Patent**  
**Del Gaone**

(10) **Patent No.:** **US D440,476 S**

(45) **Date of Patent:** **\*\* Apr. 17, 2001**

(54) **POWER-OPERATED MIXING PADDLE**

(76) Inventor: **Peter V. Del Gaone**, 1911 Belevedere Ave., Havertown, PA (US) 19083

(\*\*) Term: **14 Years**

(21) Appl. No.: **29/125,679**

(22) Filed: **Jun. 28, 2000**

(51) **LOC (7) Cl.** ..... **08-01**

(52) **U.S. Cl.** ..... **D8/70; D8/14**

(58) **Field of Search** ..... **D8/14, 70; D7/688; D15/138, 139; 366/343, 605, 325.8, 129**

(56) **References Cited**

**U.S. PATENT DOCUMENTS**

D. 290,084	*	6/1987	Klapperich	.....	D8/14
D. 306,685	*	3/1990	Nadeau	.....	D8/70
D. 334,577	*	4/1993	Wheat	.....	D8/70
4,844,355	*	7/1989	Kemp, Jr. et al.	.....	366/343
5,073,033	*	12/1991	Klepies	.....	366/343
5,403,091	*	4/1995	Thoma	.....	366/279
5,417,493	*	5/1995	Ericson	.....	366/343
5,676,463	*	10/1997	Larsen	.....	366/251
5,865,539	*	2/1999	Rogers	.....	366/325.8

\* cited by examiner

*Primary Examiner*—Philip S. Hyder

(74) *Attorney, Agent, or Firm*—Dann, Dorfman, Herrell and Skillman; Henry H. Skillman

(57) **CLAIM**

The ornamental design for a power-operated mixing paddle, as shown and described.

**DESCRIPTION**

FIG. 1 is a front elevational view of a power-operated mixing paddle embodying my new design;  
 FIG. 2 is a right-hand elevational view of the mixing paddle shown in FIG. 1;  
 FIG. 3 is a left-hand elevational view of the mixing paddle shown in FIG. 1;  
 FIG. 4 is a rear elevational view of the mixing paddle shown in FIG. 1;  
 FIG. 5 is a top plan view of the mixing paddle shown in FIG. 1;  
 FIG. 6 is a bottom plan view of the mixing paddle shown in FIG. 1; and,  
 FIG. 7 is a perspective view of the mixing paddle shown in FIG. 1 at a reduced scale, a power operator for the paddle being shown in broken lines and a plaster bucket for which the mixer is designed being also shown in broken lines.  
 The operator and the bucket do not form a part of the invention.

**1 Claim, 2 Drawing Sheets**

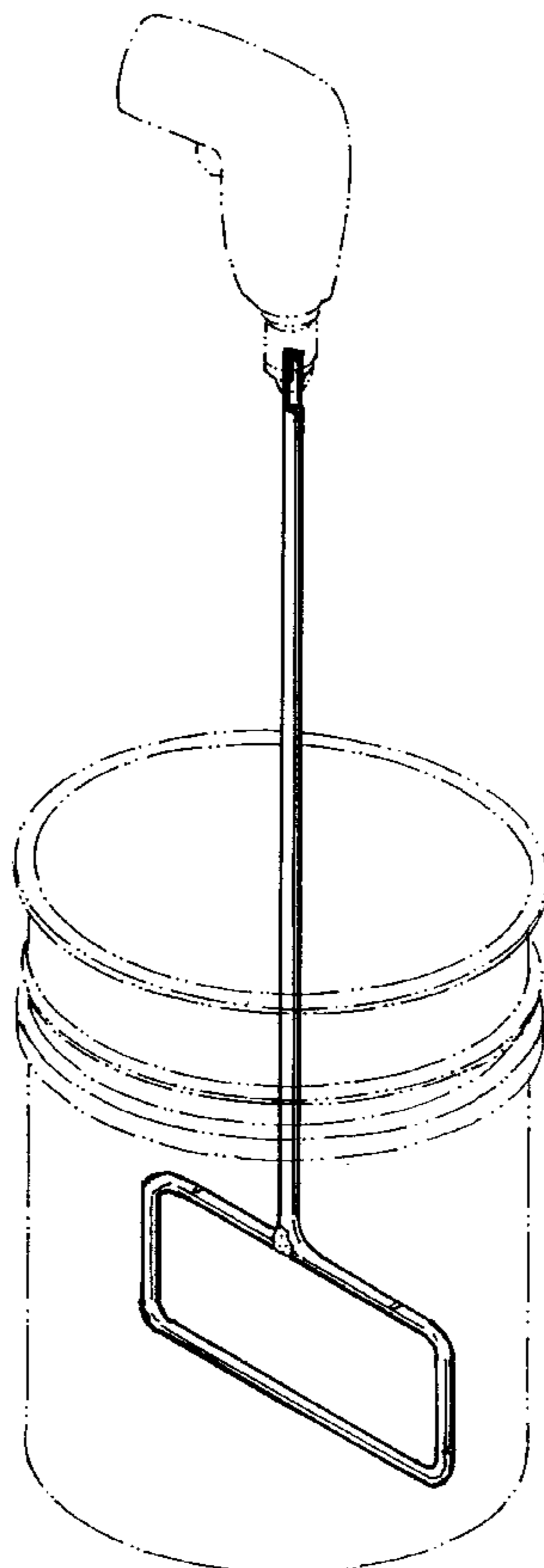


FIG. 1

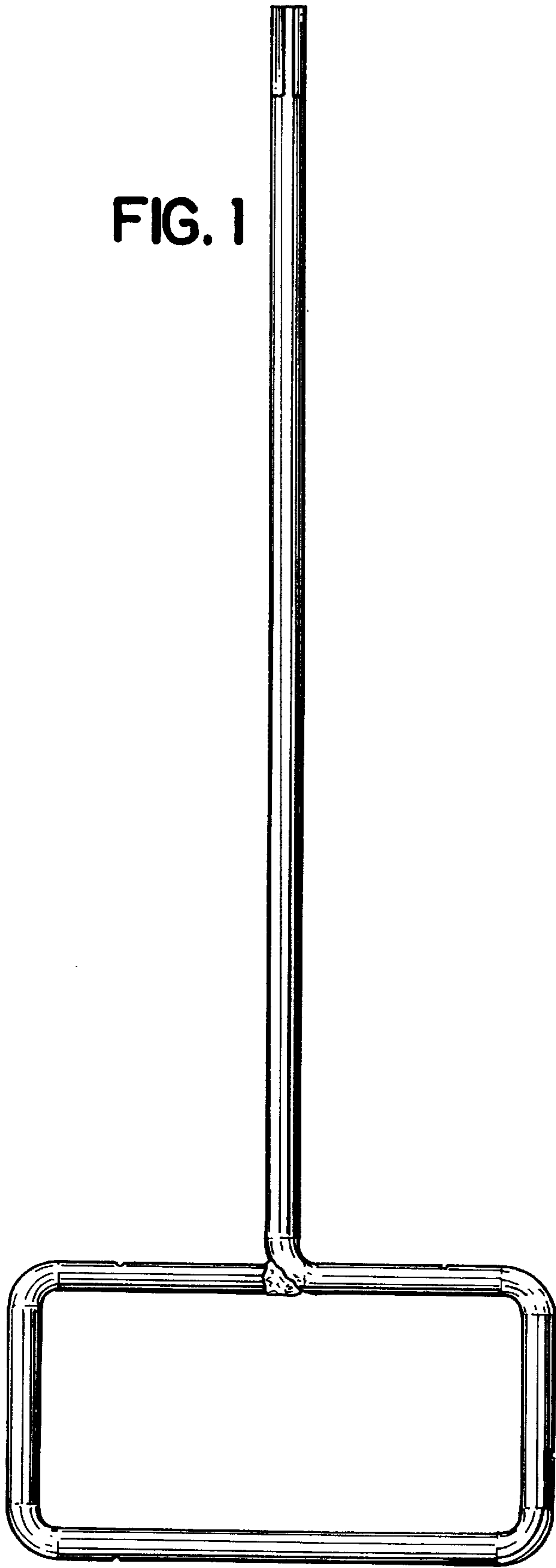


FIG. 2



FIG. 3



FIG. 4

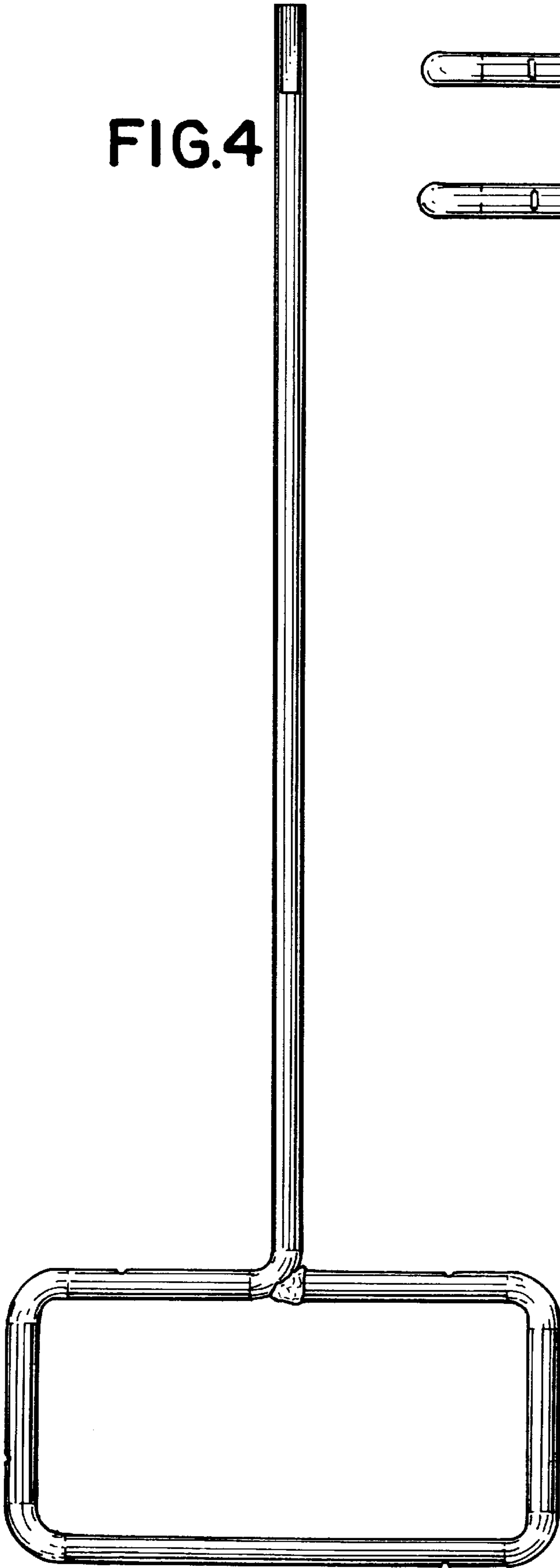


FIG. 5



FIG. 6

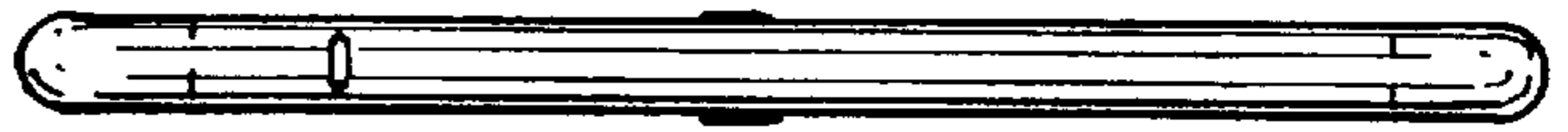


FIG. 7

