



US00D440474S

(12) **United States Design Patent**  
**Heun**

(10) **Patent No.:** **US D440,474 S**

(45) **Date of Patent:** **\*\* Apr. 17, 2001**

(54) **ELECTRIC JIGSAW**

(75) Inventor: **Ping Hay Heun**, Aberdeen (HK)

(73) Assignee: **Choon Nang Electrical Appliance Mfy., Ltd.**, Aberdeen (HK)

(\*\*) Term: **14 Years**

(21) Appl. No.: **29/120,624**

(22) Filed: **Mar. 23, 2000**

(30) **Foreign Application Priority Data**

Nov. 22, 1999 (GB) ..... 2088237

(51) **LOC (7) Cl.** ..... **08-03**

(52) **U.S. Cl.** ..... **D8/64**

(58) **Field of Search** ..... D8/64; 30/392,  
30/393, 394; 83/776; 451/356, 358

(56) **References Cited**

**U.S. PATENT DOCUMENTS**

D. 287,930 \* 1/1987 Somers ..... D8/64

D. 415,941 \* 11/1999 Lui ..... D8/64

\* cited by examiner

*Primary Examiner*—Antoine Duval Davis

(74) *Attorney, Agent, or Firm*—Leydig, Voit & Mayer, Ltd.

(57) **CLAIM**

The ornamental design for an electric jigsaw, as shown and described.

**DESCRIPTION**

FIG. 1 is a front end, left side and top perspective view of an electric jigsaw showing my new design;

FIG. 2 is a rear end, left side and top perspective view thereof;

FIG. 3 is a left side elevational view thereof;

FIG. 4 is a top plan view thereof;

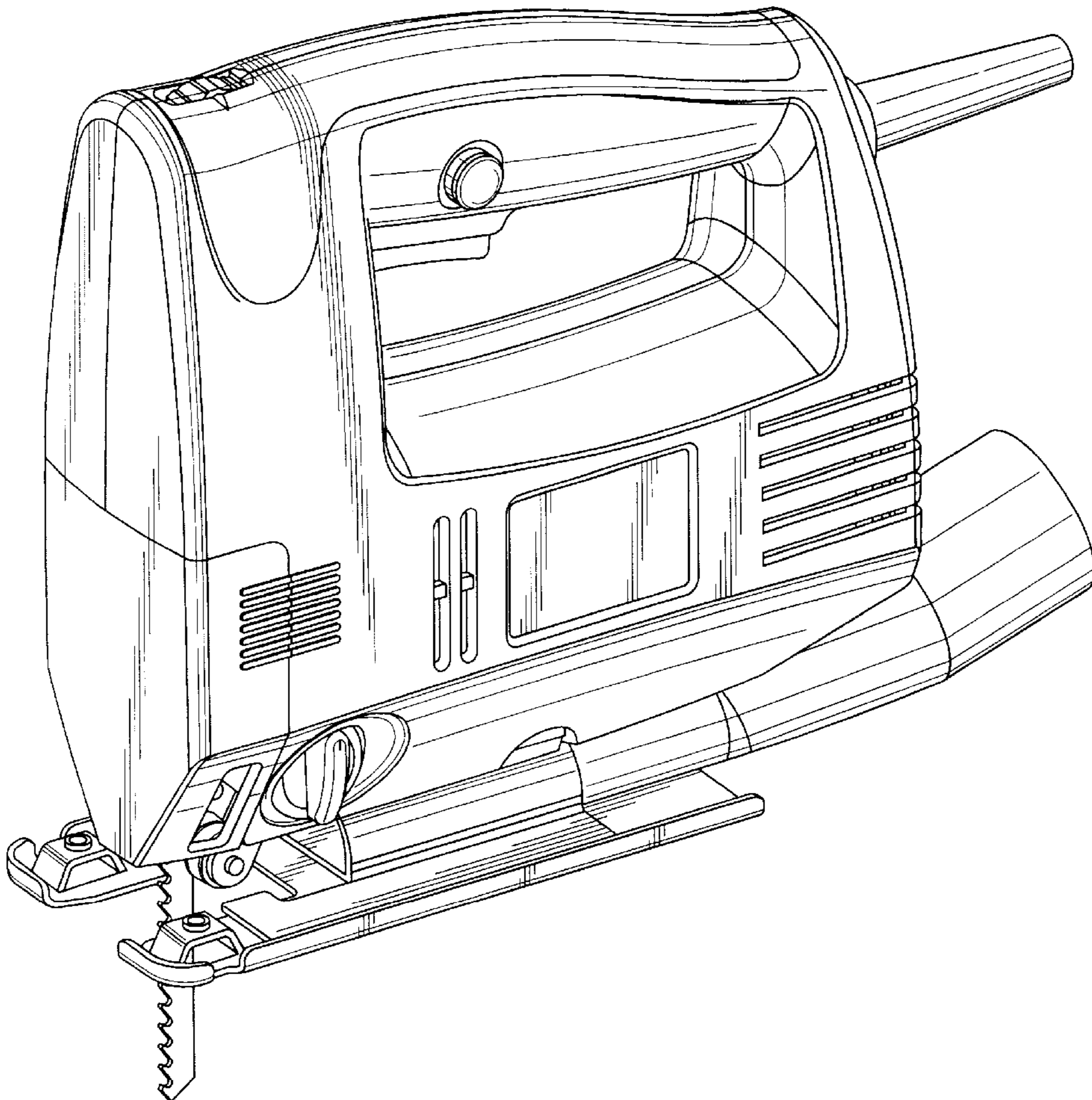
FIG. 5 is a right side elevational view thereof;

FIG. 6 is a bottom plan view thereof;

FIG. 7 is a front end elevational view thereof; and,

FIG. 8 is a rear end elevational view thereof.

**1 Claim, 5 Drawing Sheets**



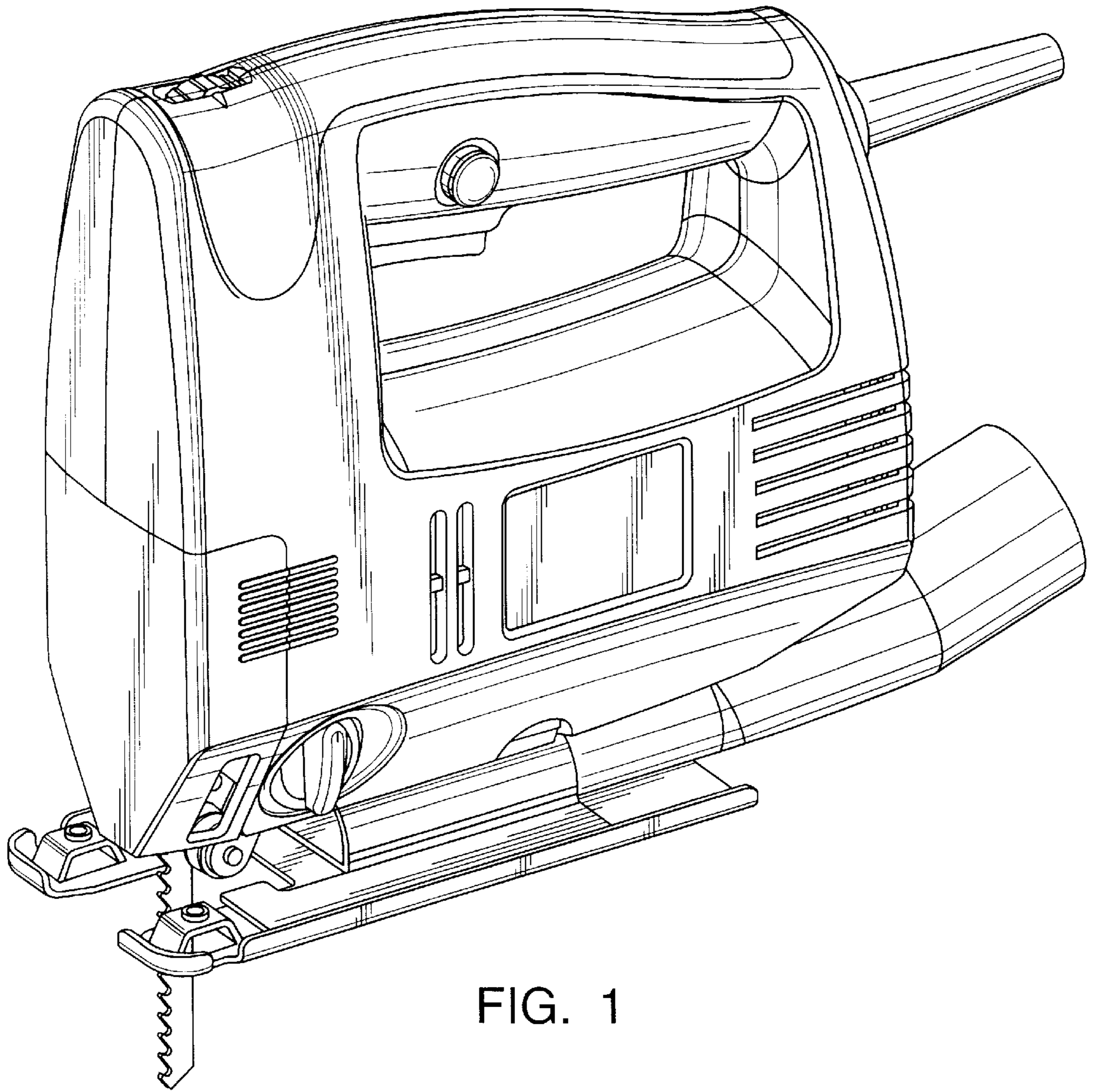


FIG. 1

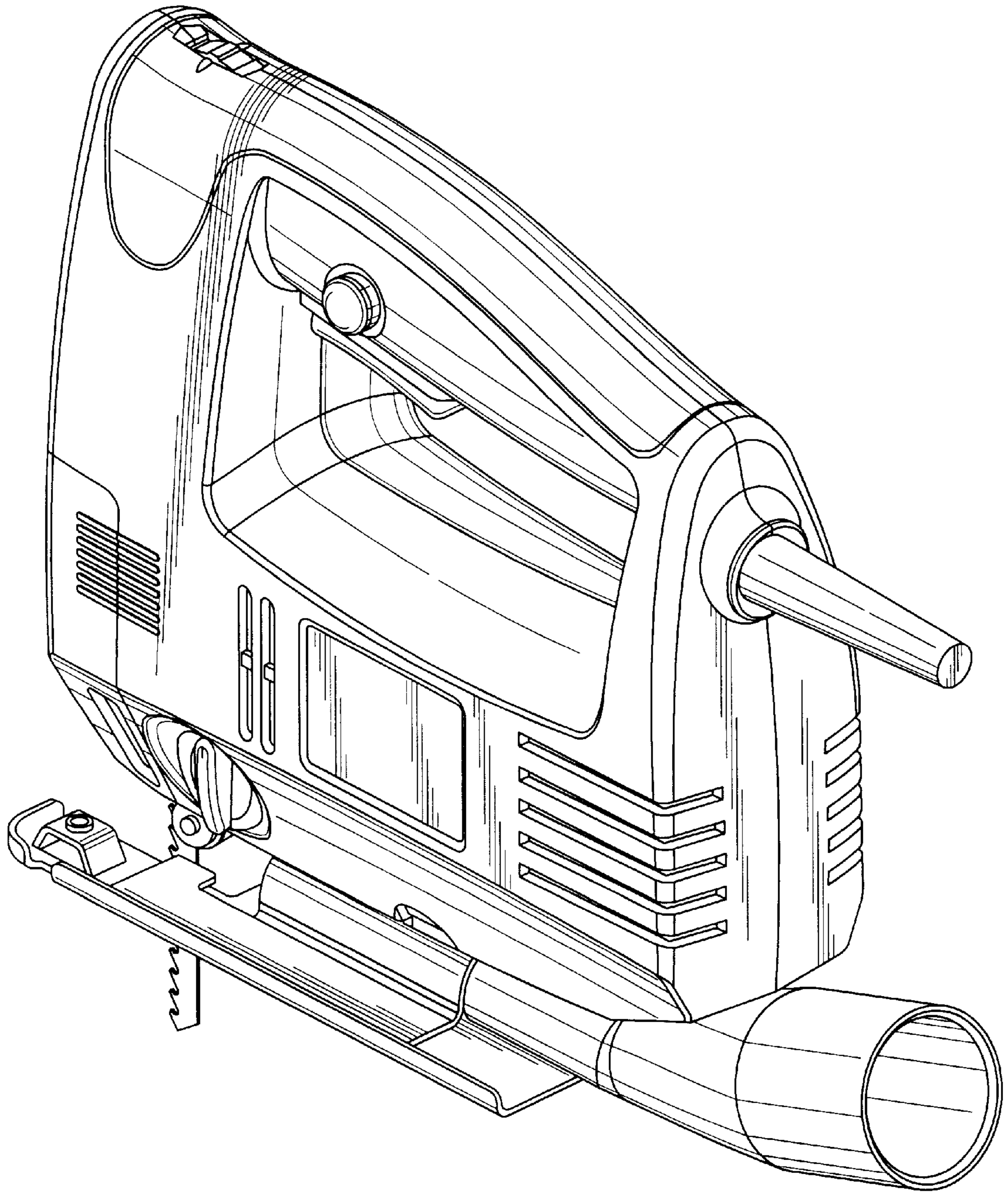


FIG. 2

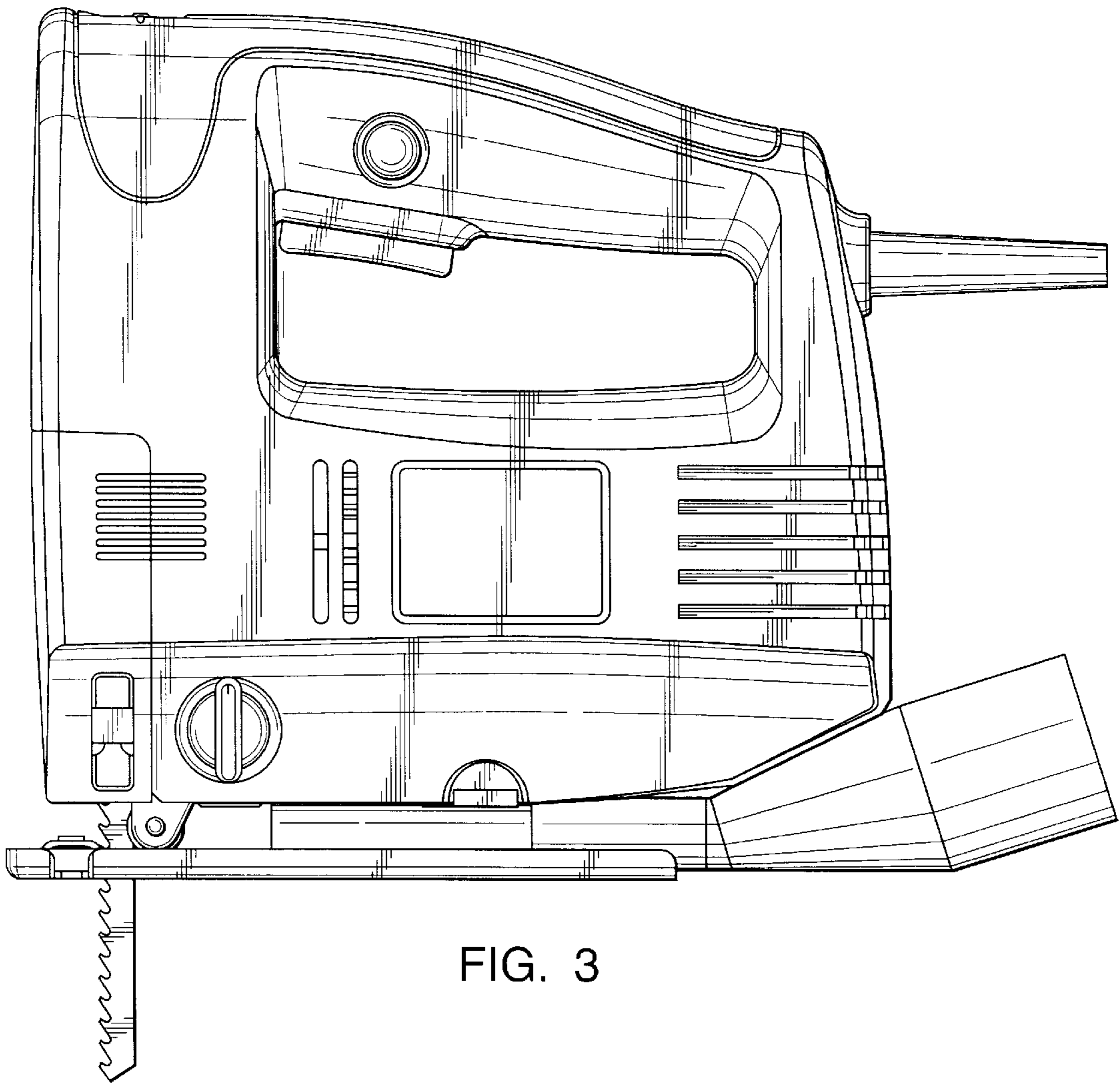


FIG. 3



FIG. 4

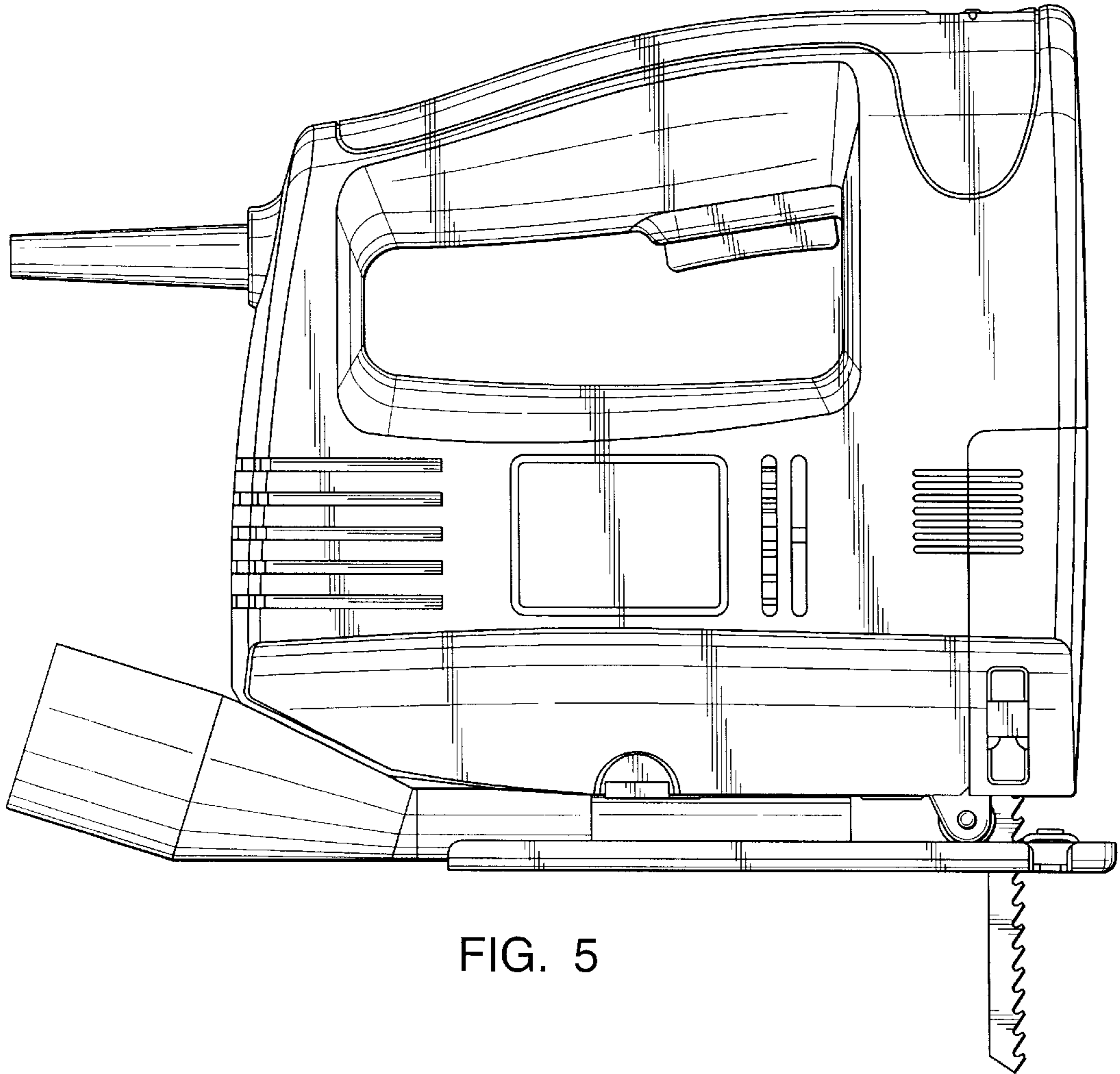


FIG. 5

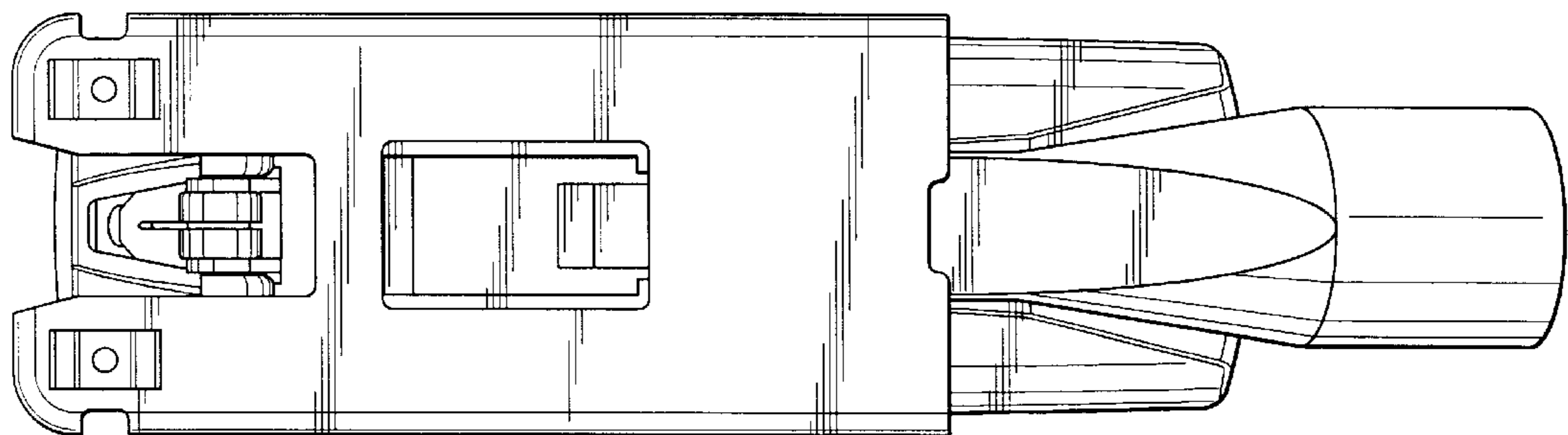


FIG. 6

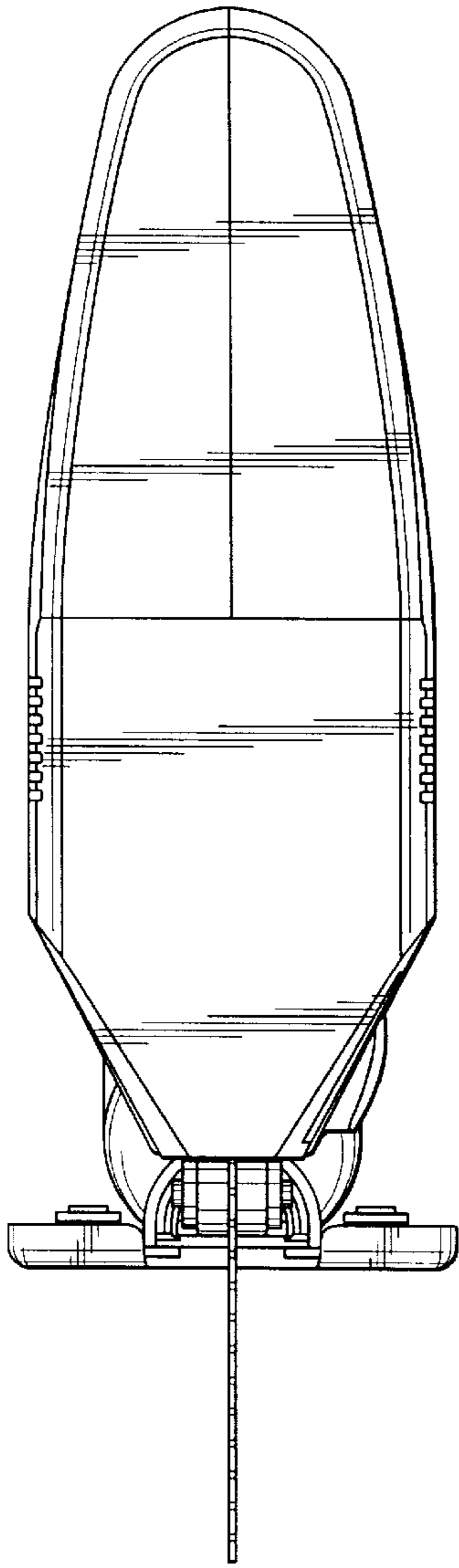


FIG. 7

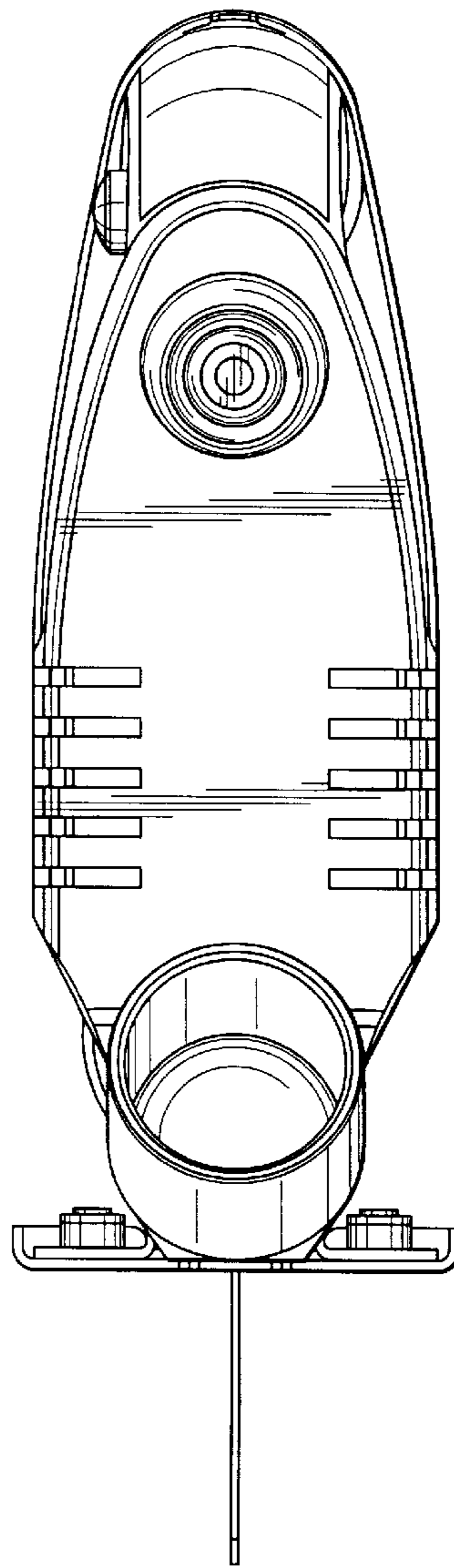


FIG. 8