



US00D440470S

(12) **United States Design Patent**
Tucker et al.

(10) **Patent No.:** **US D440,470 S**

(45) **Date of Patent:** **** Apr. 17, 2001**

(54) **CONTAINER FOR FOOD**

(75) Inventors: **Edward Tucker**, Romeoville, IL (US);
Jim Warner, Hoboken; **Robert Croft**,
Jersey City, both of NJ (US); **Insun**
Yun, New York, NY (US)

(73) Assignee: **The Glad Products Company**,
Oakland, CA (US)

(**) Term: **14 Years**

(21) Appl. No.: **29/125,849**

(22) Filed: **Jun. 30, 2000**

(51) **LOC (7) Cl.** **07-01**

(52) **U.S. Cl.** **D7/629**

(58) **Field of Search** D7/602, 629, 538-542;
D9/415, 418, 423-425, 432; 220/662, 675,
780-783, 792-799, 805

(56) **References Cited**

U.S. PATENT DOCUMENTS

- D. 272,595 2/1984 Chase et al. .
- D. 285,906 9/1986 Tyler .
- D. 313,556 1/1991 Smith .
- D. 334,114 3/1993 Narsutis .
- D. 336,850 6/1993 Guillin .
- D. 379,431 5/1997 Mangla .
- D. 388,325 12/1997 Tucker et al. .
- D. 390,109 2/1998 Tucker et al. .
- 3,424,342 1/1969 Scopp et al. .
- 3,447,714 6/1969 Elliot .
- 3,448,888 6/1969 Smith et al. .

- 3,452,896 7/1969 Elliot .
- 4,373,642 2/1983 Wolters et al. .
- 4,787,527 * 11/1988 Monetti 220/801 X
- 4,819,824 4/1989 Longbottom et al. .
- 5,377,860 1/1995 Littlejohn et al. .
- 5,624,051 4/1997 Ahern, Jr. et al. .

OTHER PUBLICATIONS

Branson Ultrasonics Corporation, *Application*, print advertisement.

"Marketplace," *Restuarants & Institutions*, Apr. 17, 1989, p. 194.

American Permanent Ware, *Steam Table Pans* print advertisement.

* cited by examiner

Primary Examiner—Terry A. Wallace

(74) *Attorney, Agent, or Firm*—Thomas C. Feix

(57) **CLAIM**

The ornamental design for a container for food, as shown and described.

DESCRIPTION

FIG. 1 is a top perspective view of a container for food showing our new design;

FIG. 2 is a top plan view thereof;

FIG. 3 is a right side elevational view thereof;

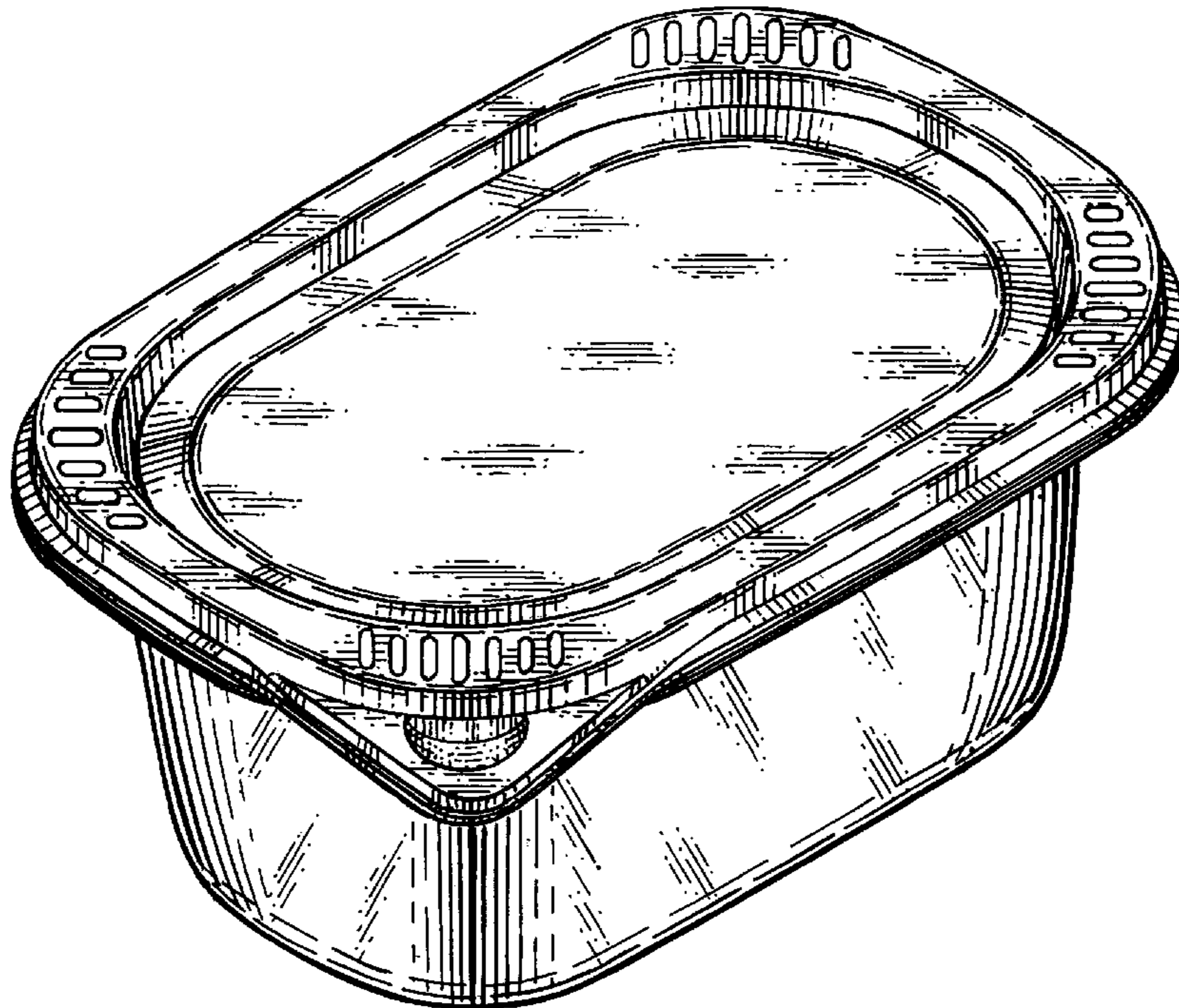
FIG. 4 is a front elevational view thereof;

FIG. 5 is a left side elevational view thereof;

FIG. 6. is a rear elevational view thereof; and,

FIG. 7; is a bottom plan view thereof.

1 Claim, 3 Drawing Sheets



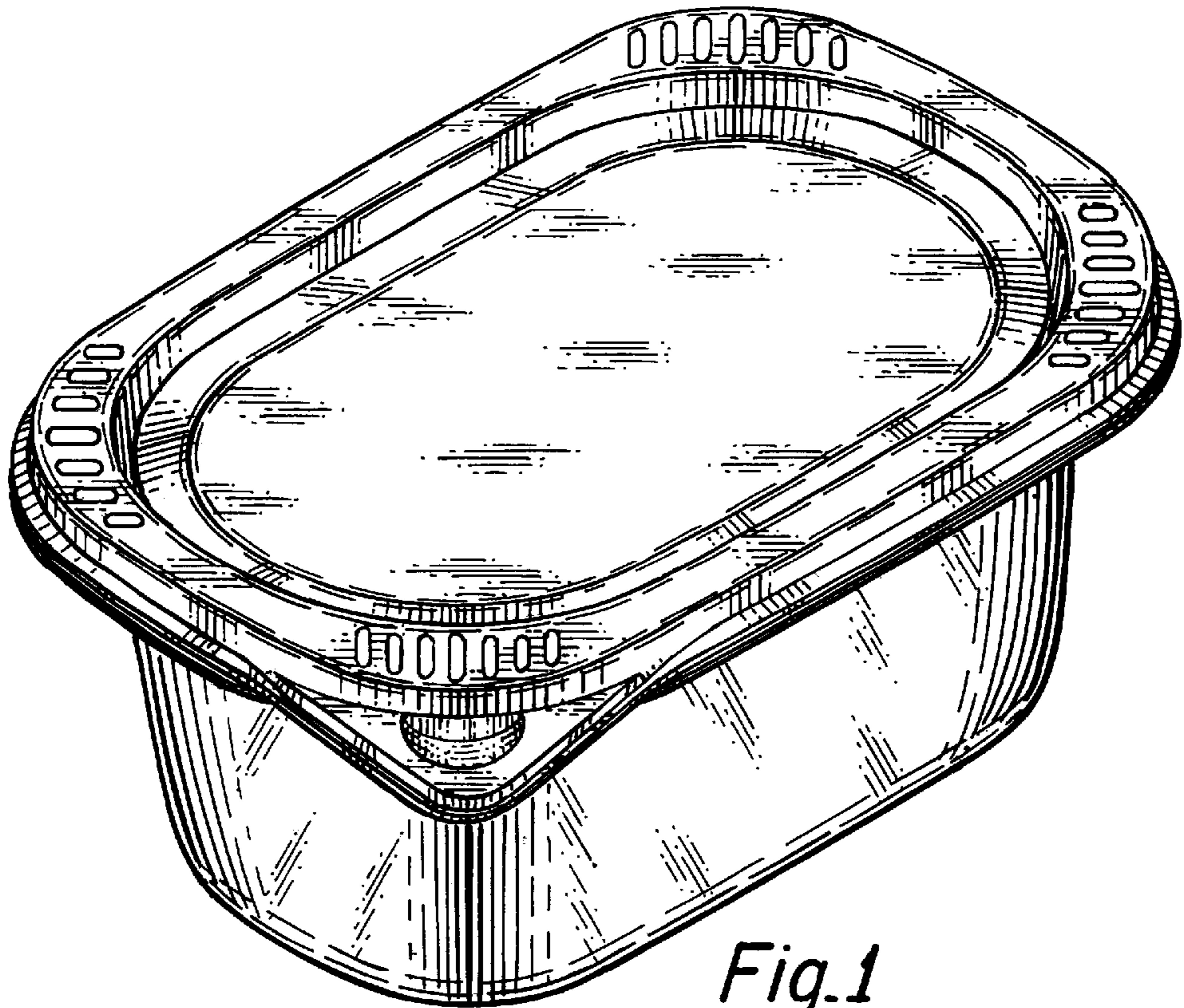


Fig.1

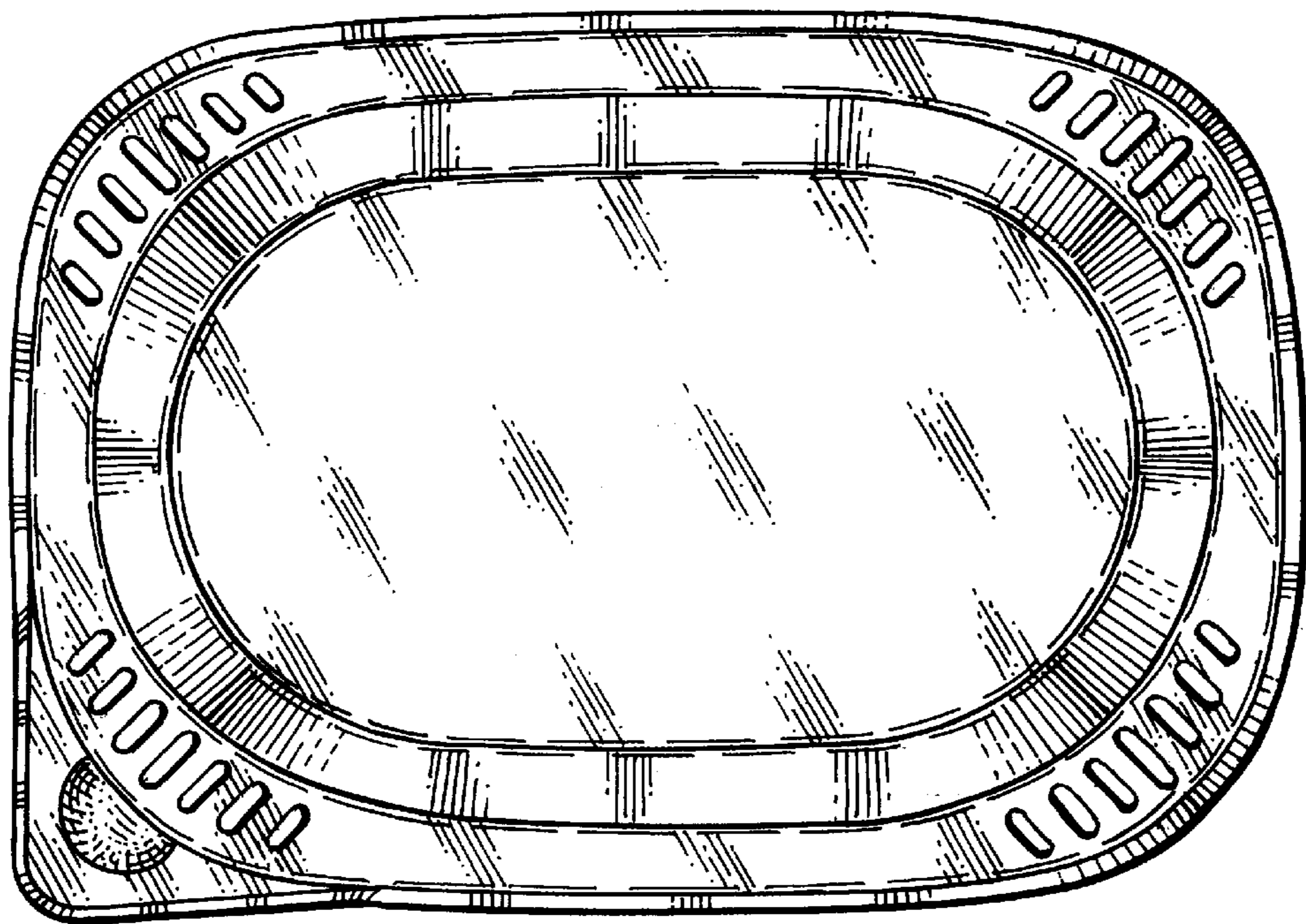


Fig.2

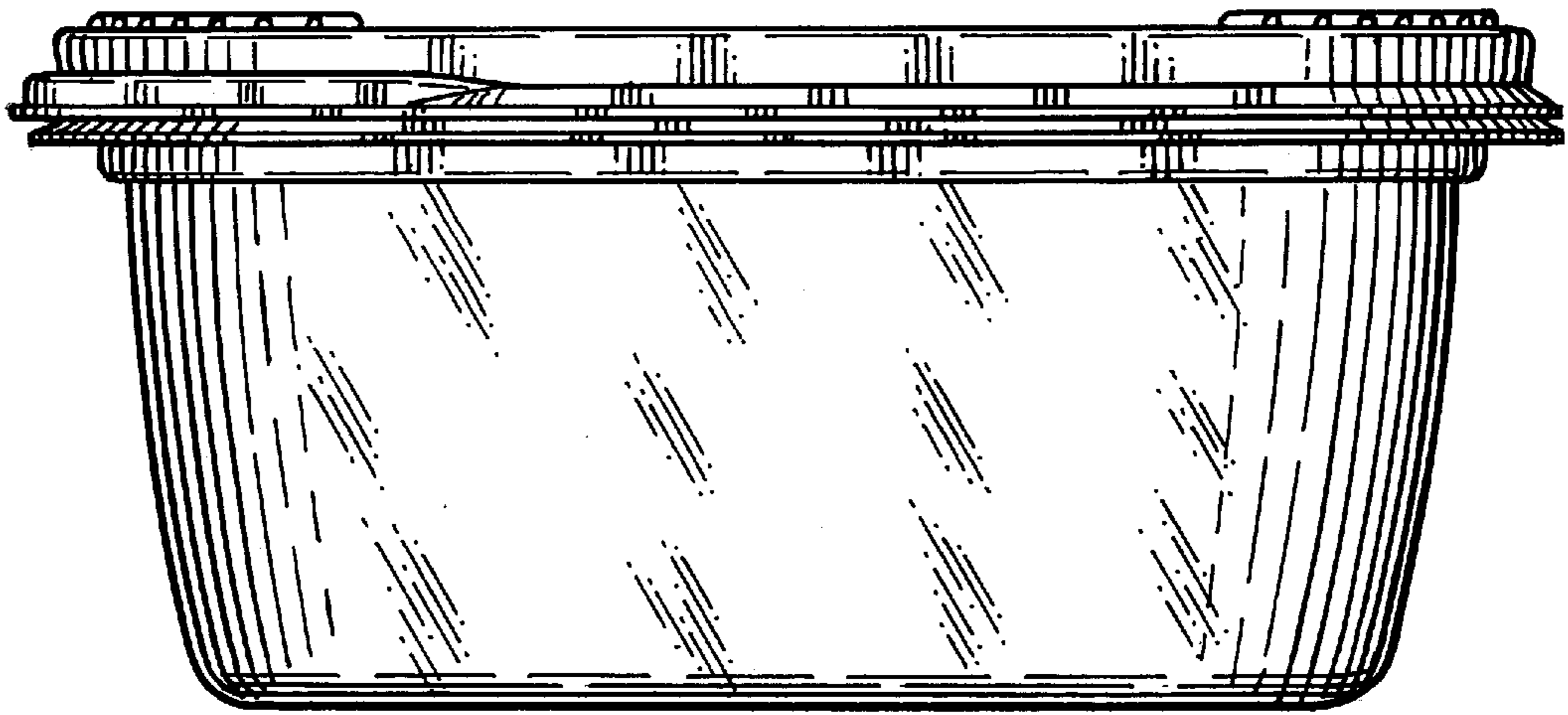


Fig.3

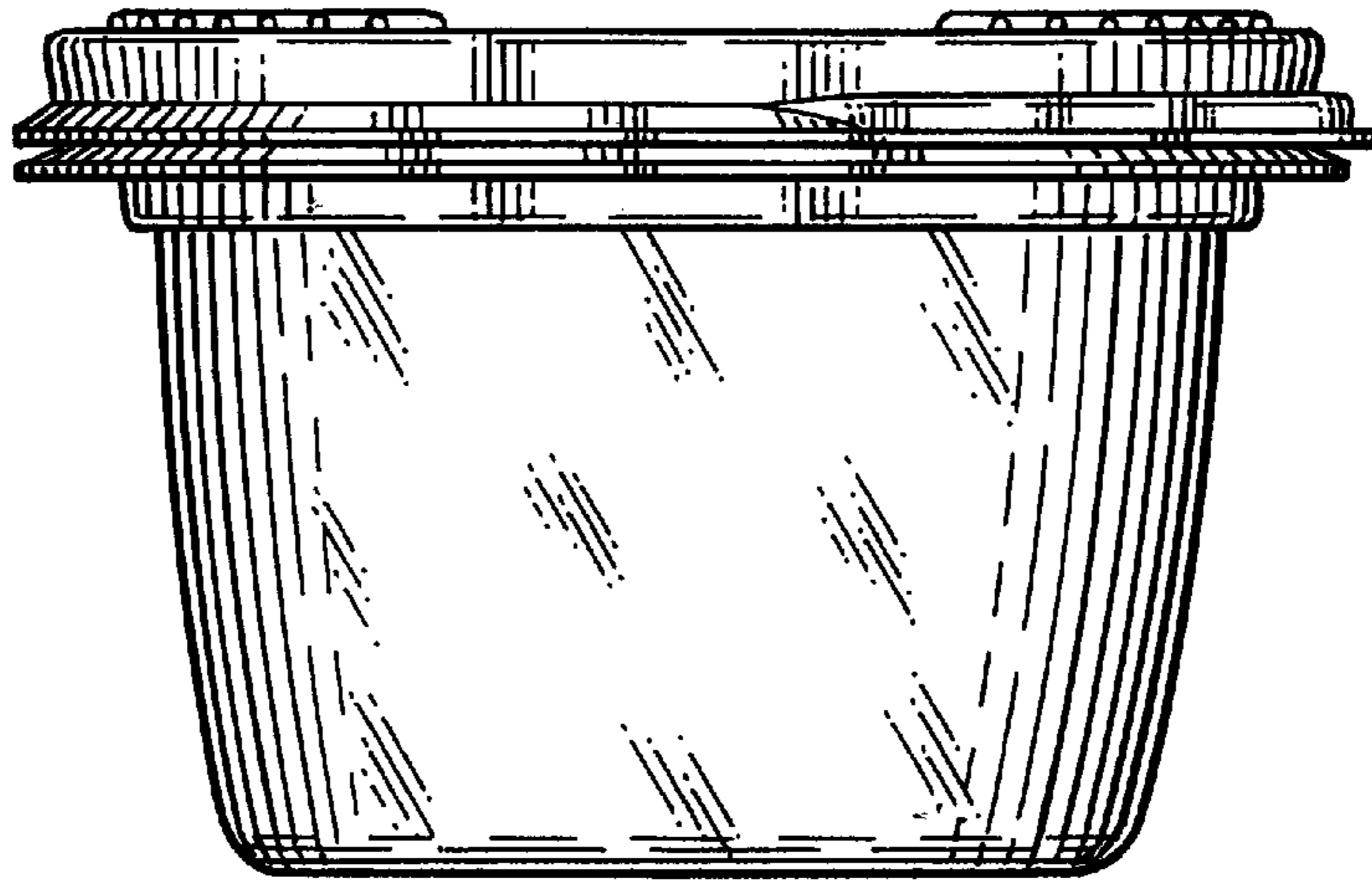


Fig.4

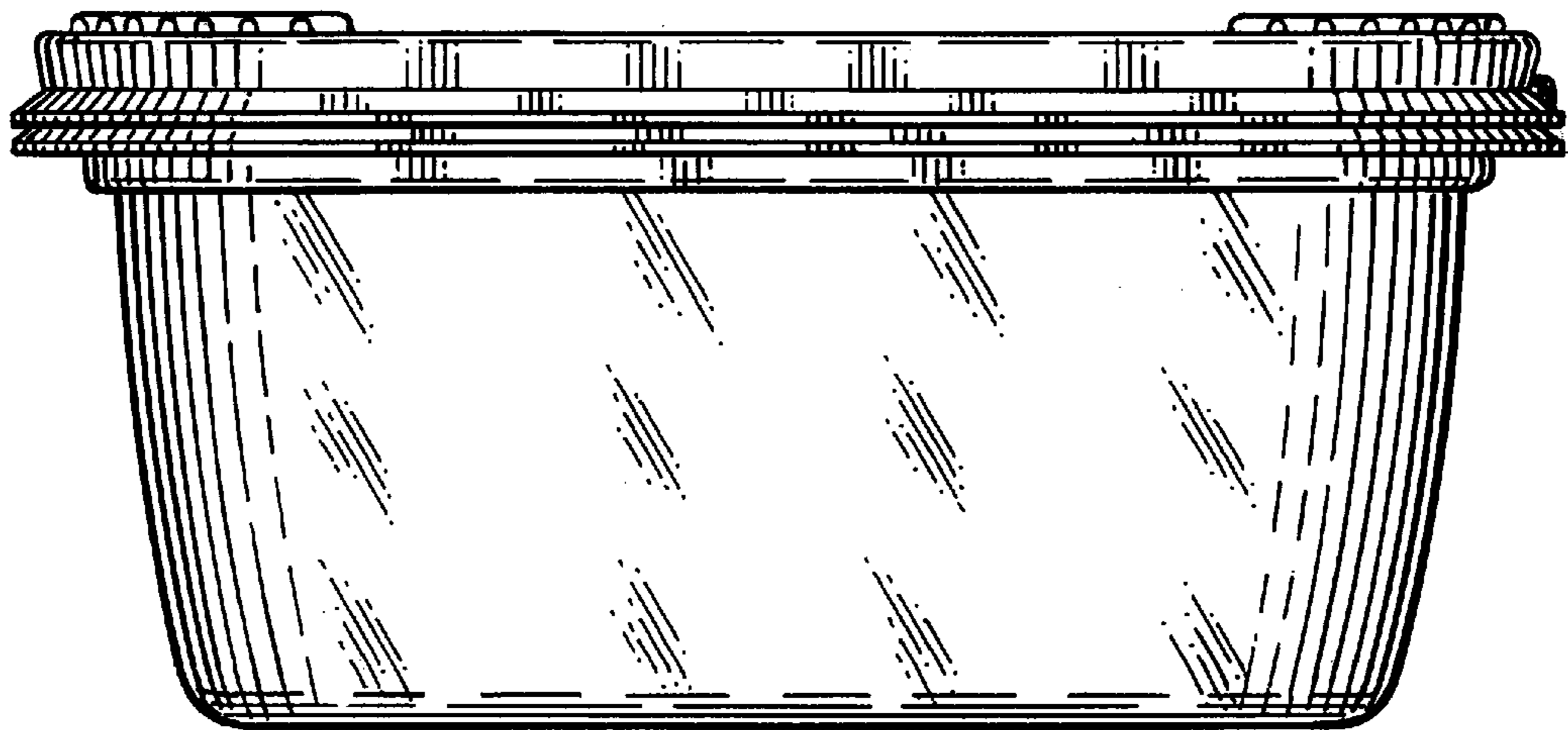


Fig.5

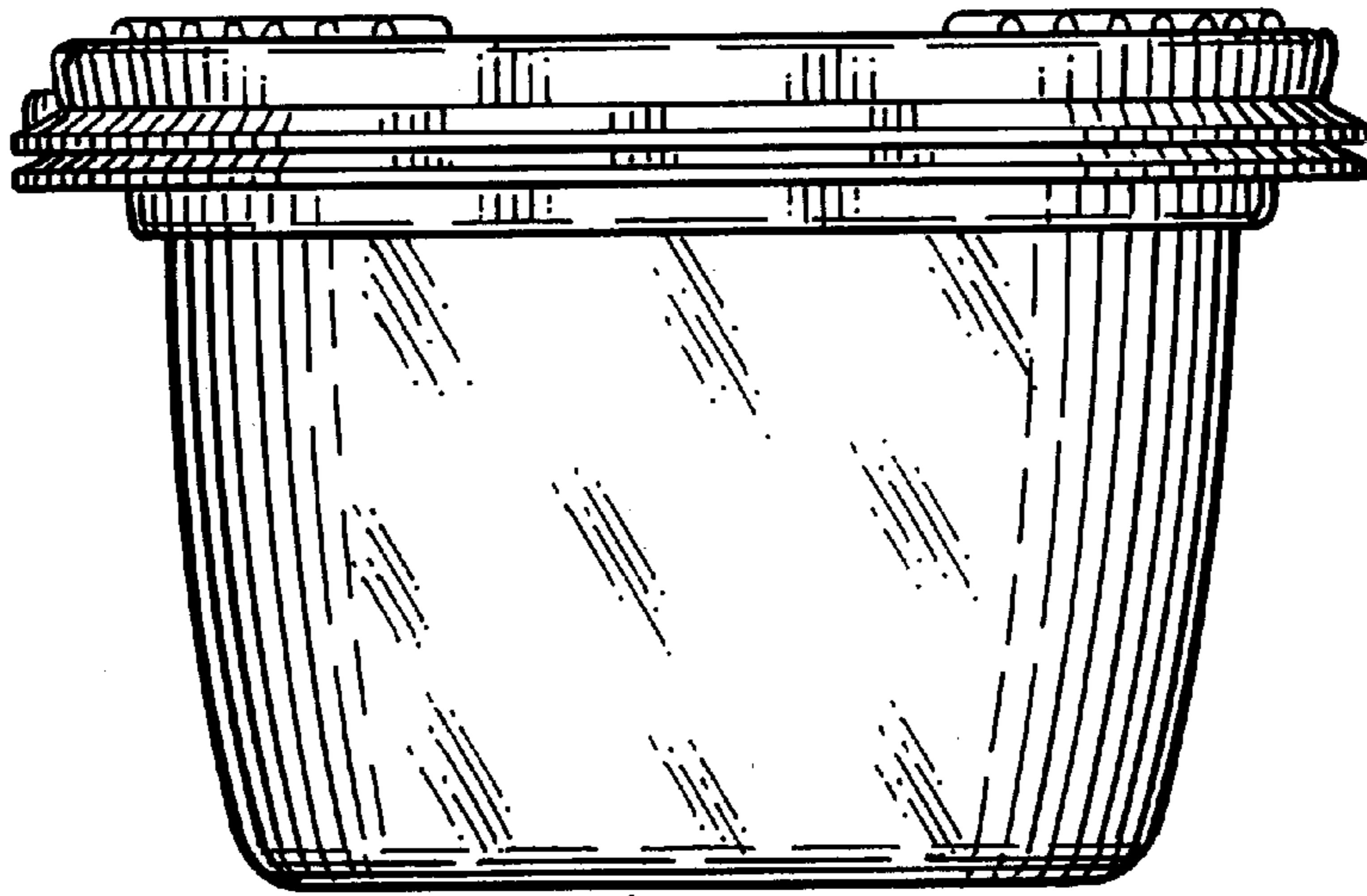


Fig.6

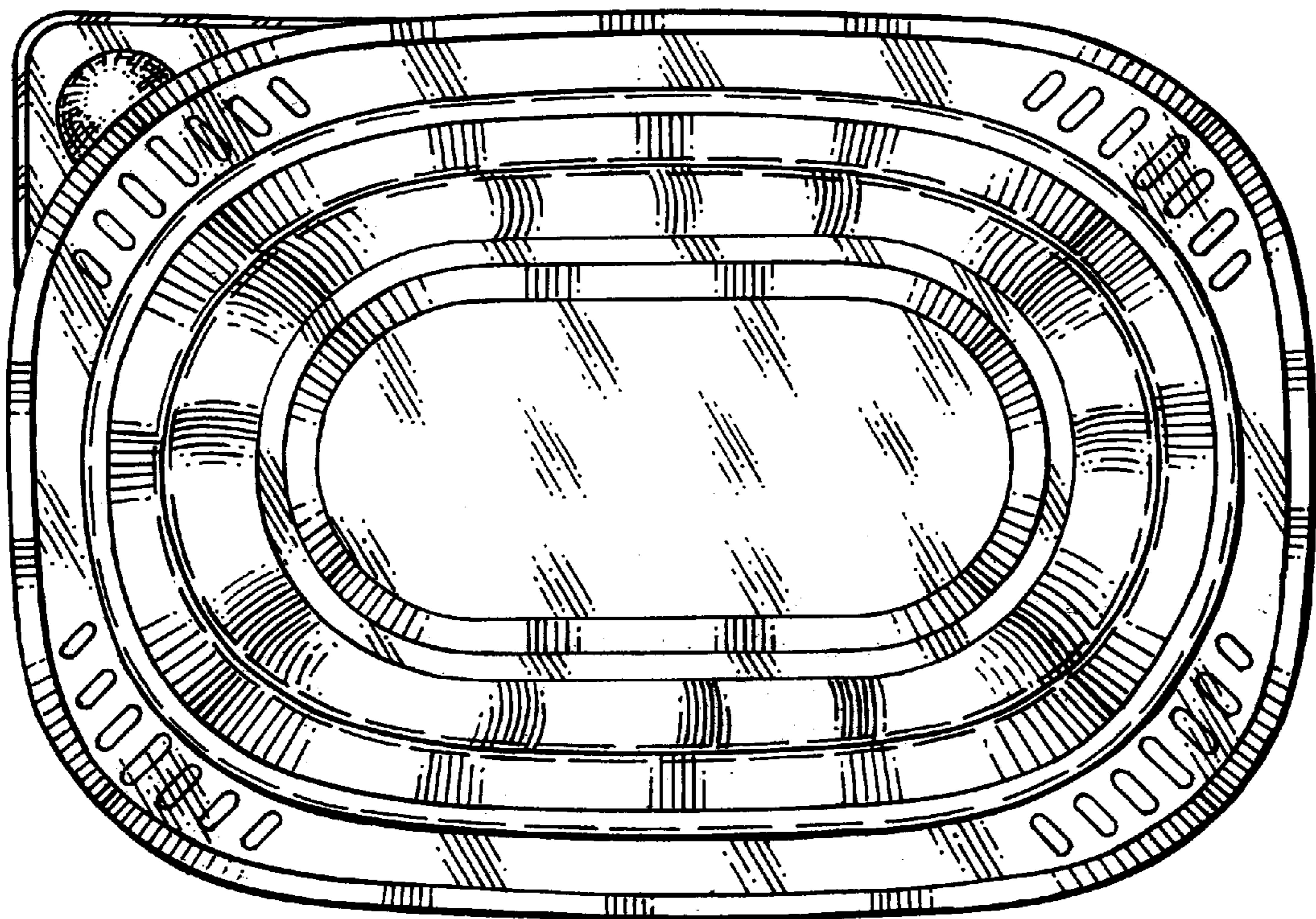


Fig.7