



US00D440467S

(12) **United States Design Patent**  
**Kellermann**

(10) **Patent No.:** **US D440,467 S**

(45) **Date of Patent:** **\*\* Apr. 17, 2001**

(54) **HALF PINT SERVING KETTLE**

5,269,717 \* 12/1993 Tardif ..... 220/574

(76) Inventor: **Robert F Kellermann**, P.O. Box 380,  
South Pittsburg, TN (US) 37380

\* cited by examiner

(\*\*) Term: **14 Years**

*Primary Examiner*—Antoine Duval Davis  
(74) *Attorney, Agent, or Firm*—Robert V. Hines

(21) Appl. No.: **29/122,857**

(57) **CLAIM**

(22) Filed: **May 5, 2000**

The ornamental design for a half pint serving kettle, as shown.

(51) **LOC (7) Cl.** ..... **07-01**

(52) **U.S. Cl.** ..... **D7/543**

(58) **Field of Search** ..... D7/543, 501, 505,  
D7/538, 540-549, 553.6, 553.7, 555, 547,  
557, 562, 564, 565, 365, 572, 576, 586,  
608, 357, 360, 346, 611, 354, 614, 584,  
560; 220/310, 212.5, 318, 740, 574, 669

**DESCRIPTION**

FIG. 1 is a  $\frac{3}{4}$  perspective view of a half pint serving kettle showing my new design;

FIG. 2 is a top plan view thereof;

FIG. 3 is a left side view thereof;

FIG. 4 is a bottom plan view thereof; and,

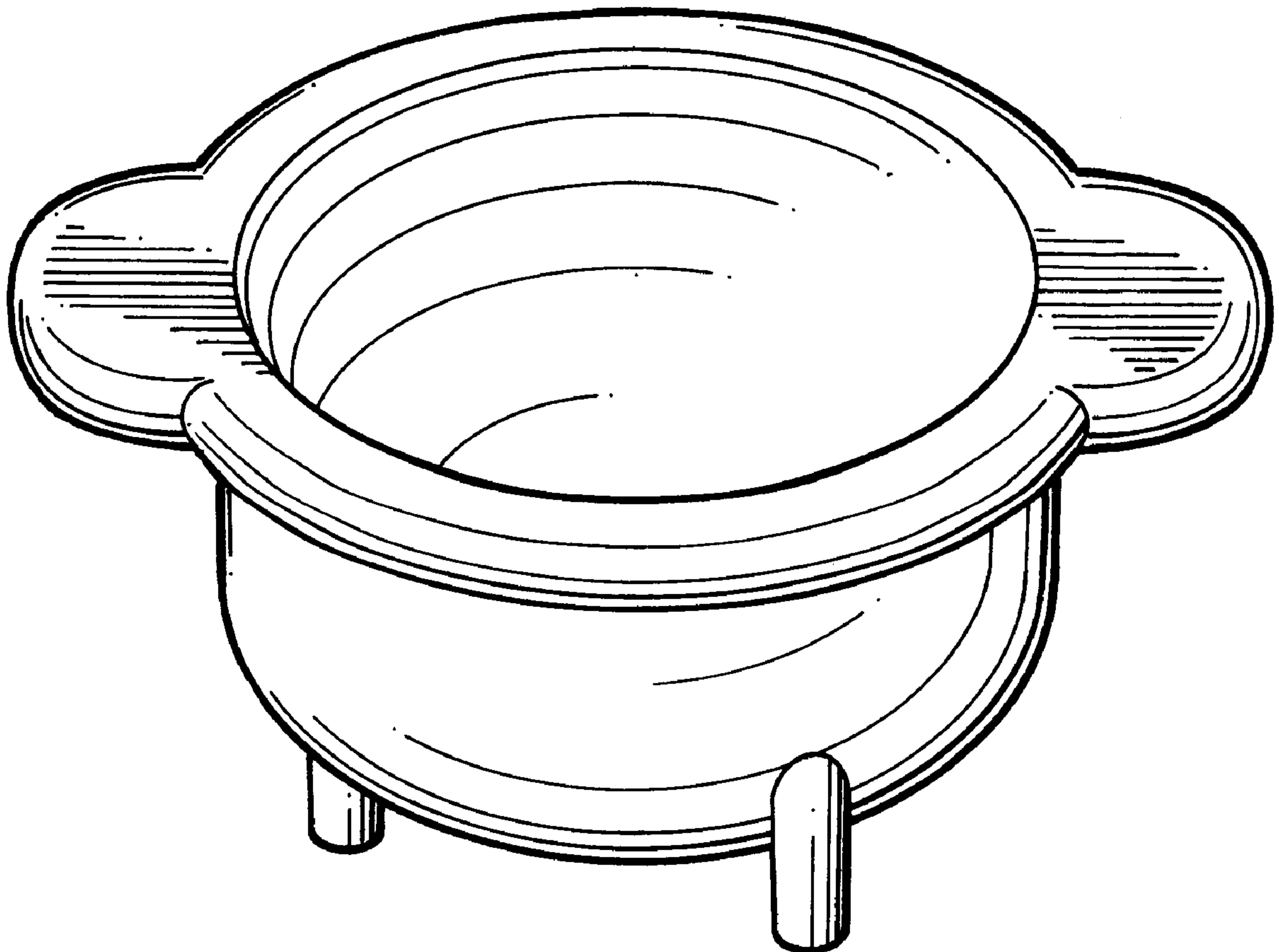
FIG. 5 is a right side view thereof.

(56) **References Cited**

**U.S. PATENT DOCUMENTS**

D. 184,875 \* 4/1959 Johnson ..... D7/543

**1 Claim, 3 Drawing Sheets**



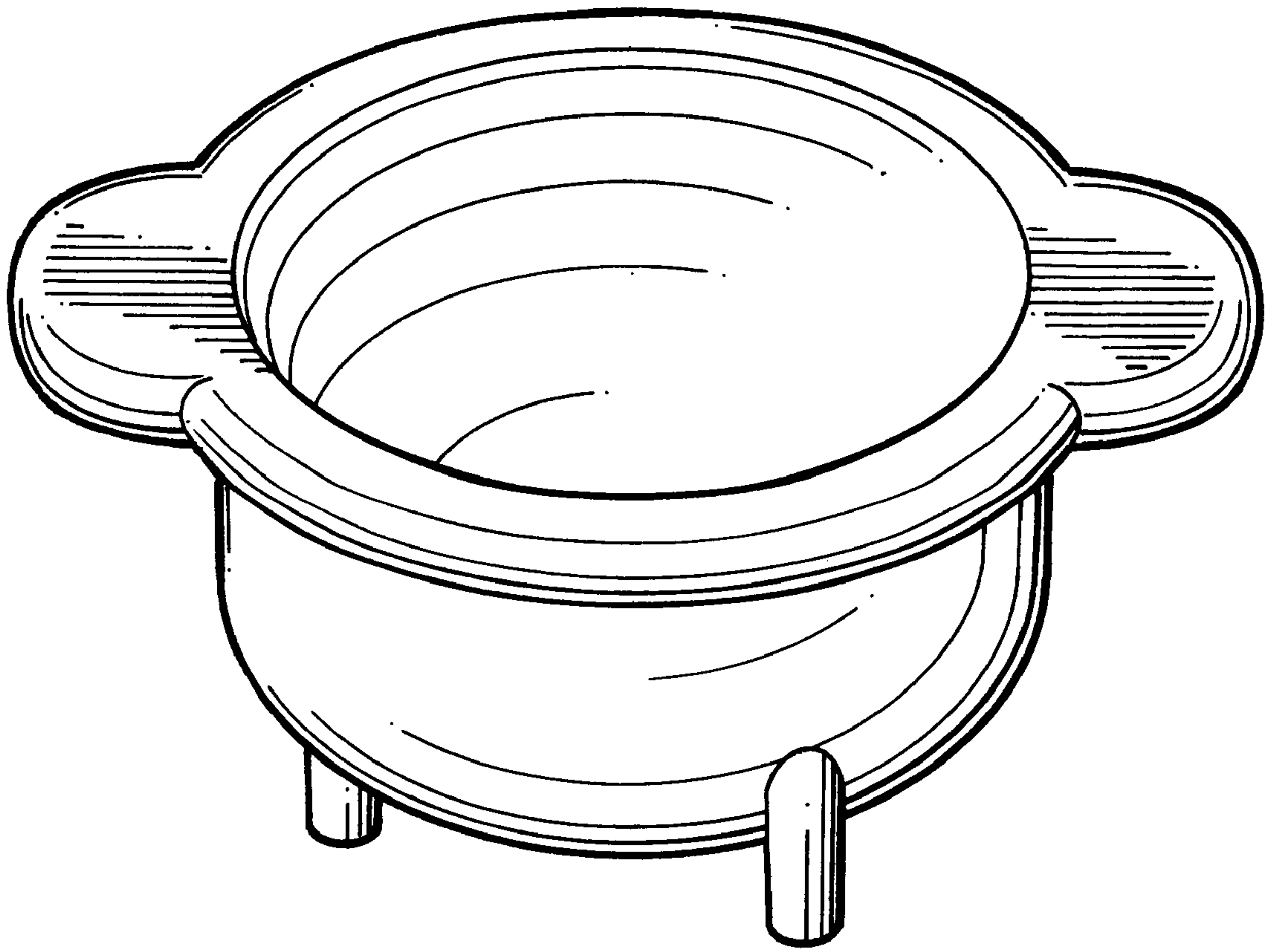


FIG. 1

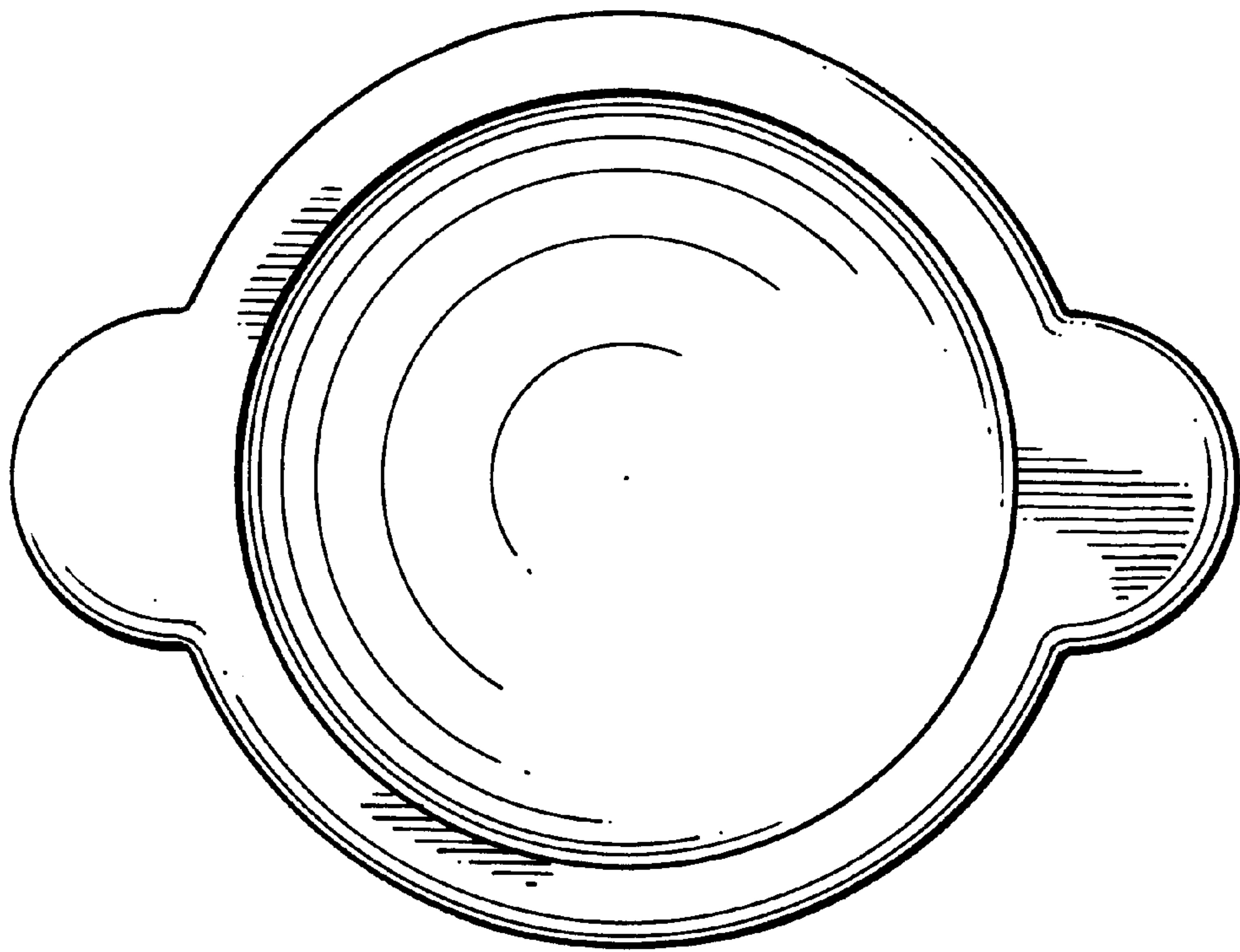


FIG. 2

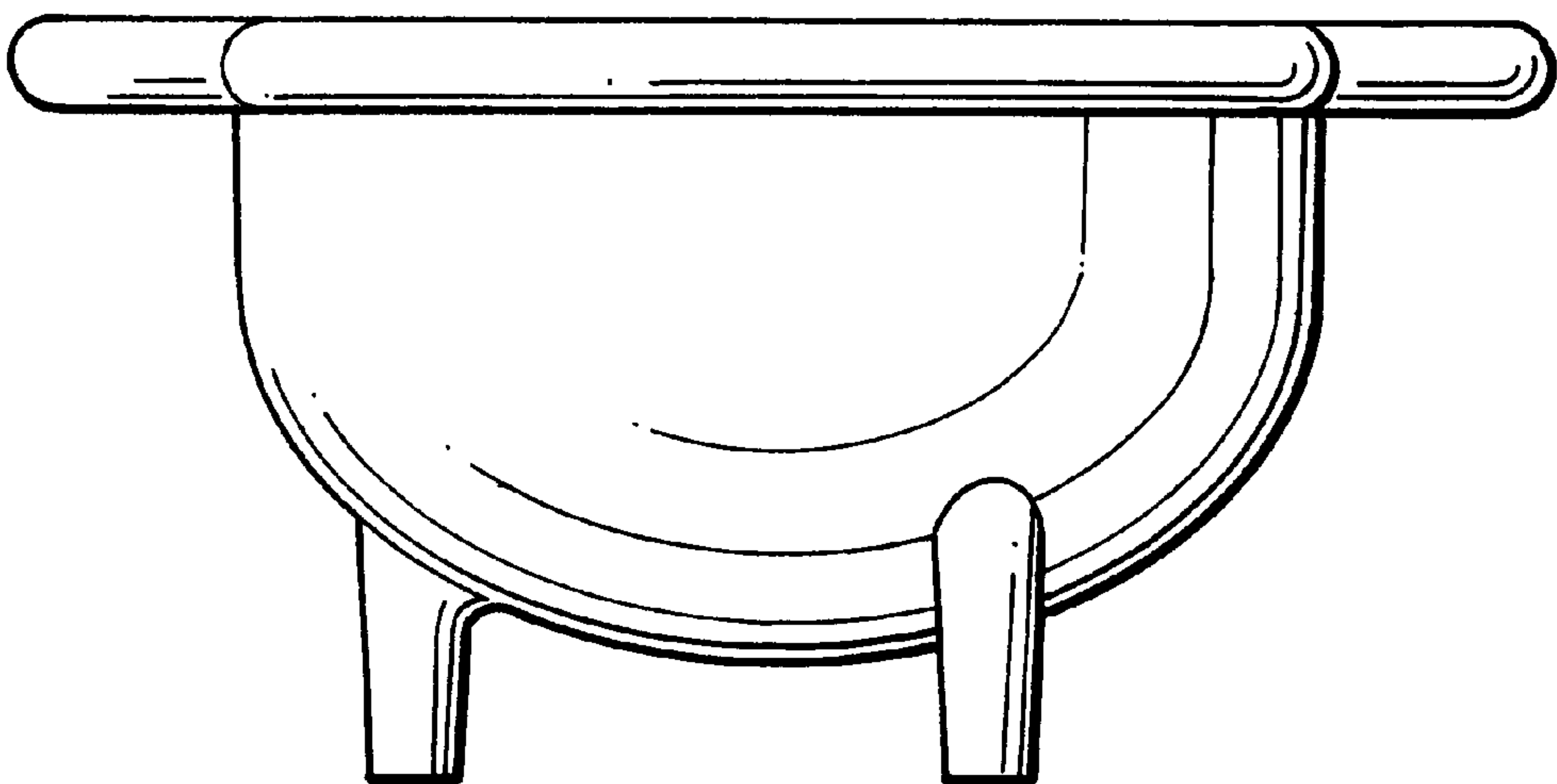


FIG. 3

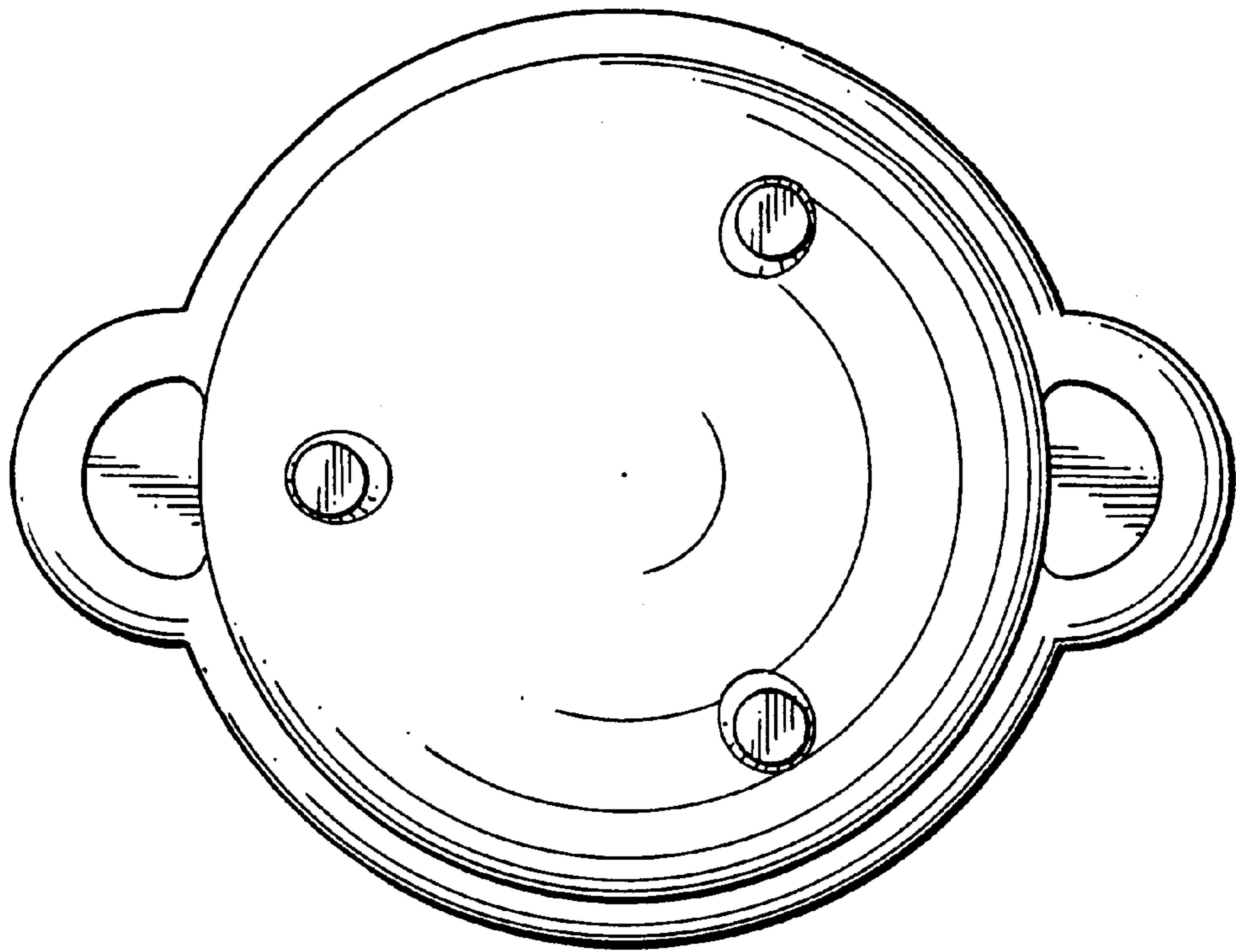


FIG. 4

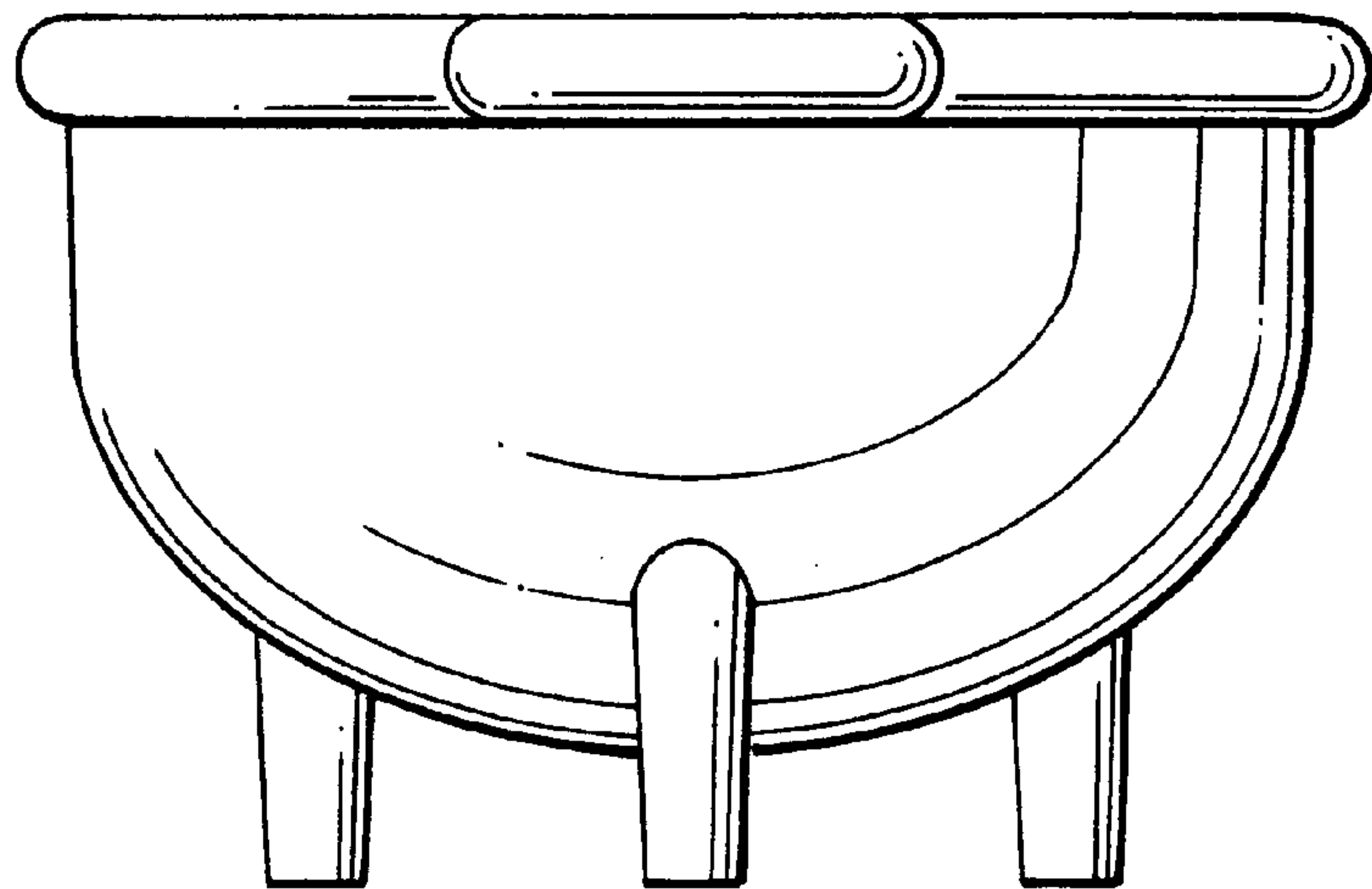


FIG. 5