



US00D440462S

(12) **United States Design Patent**
Johnson

(10) **Patent No.:** **US D440,462 S**

(45) **Date of Patent:** **** Apr. 17, 2001**

(54) **FISH SCALER**

(76) **Inventor:** **Israel C. Johnson**, 2814 E. West Ave.,
Shreveport, LA (US) 71107

(**) **Term:** **14 Years**

(21) **Appl. No.:** **29/123,096**

(22) **Filed:** **May 9, 2000**

(51) **LOC (7) Cl.** **31-00**

(52) **U.S. Cl.** **D7/372**

(58) **Field of Search** D7/372, 376, 381,
D7/383; 17/8, 62, 64, 67, 66, 51; 30/123,
123.5, 276; 452/81, 99, 105

(56) **References Cited**

U.S. PATENT DOCUMENTS

D. 254,048	*	1/1980	Hauenstein	D7/372
D. 355,810	*	2/1995	Belongia et al.	D7/372
D. 366,594	*	1/1996	Ousley	D7/383
1,928,718	*	10/1933	Covey	30/276
2,542,426	*	2/1951	Orling	30/276
3,026,612	*	3/1962	Szczepanski	30/276
3,248,751		5/1966	Wilborn	17/8
3,491,819	*	1/1970	Sawrenko	30/123.5
3,590,424		7/1971	Shults	17/67
3,667,086	*	6/1972	Sexton	452/81
3,872,544		3/1975	Lange	17/64
4,063,332		12/1977	McCullough	17/62

4,073,056	*	2/1978	Schaeffer et al.	30/123.5
4,128,939	*	12/1978	Schaeffer	30/123
4,258,452		3/1981	Adcock	17/51
4,297,765		11/1981	Altman	17/66
4,619,019		10/1986	Hardy	17/67
4,667,372		5/1987	Till	17/67
5,221,229		6/1993	Brophy	452/105
5,318,472		6/1994	Johnson	452/99

* cited by examiner

Primary Examiner—Robert M. Spear

(74) *Attorney, Agent, or Firm*—John M. Harrison

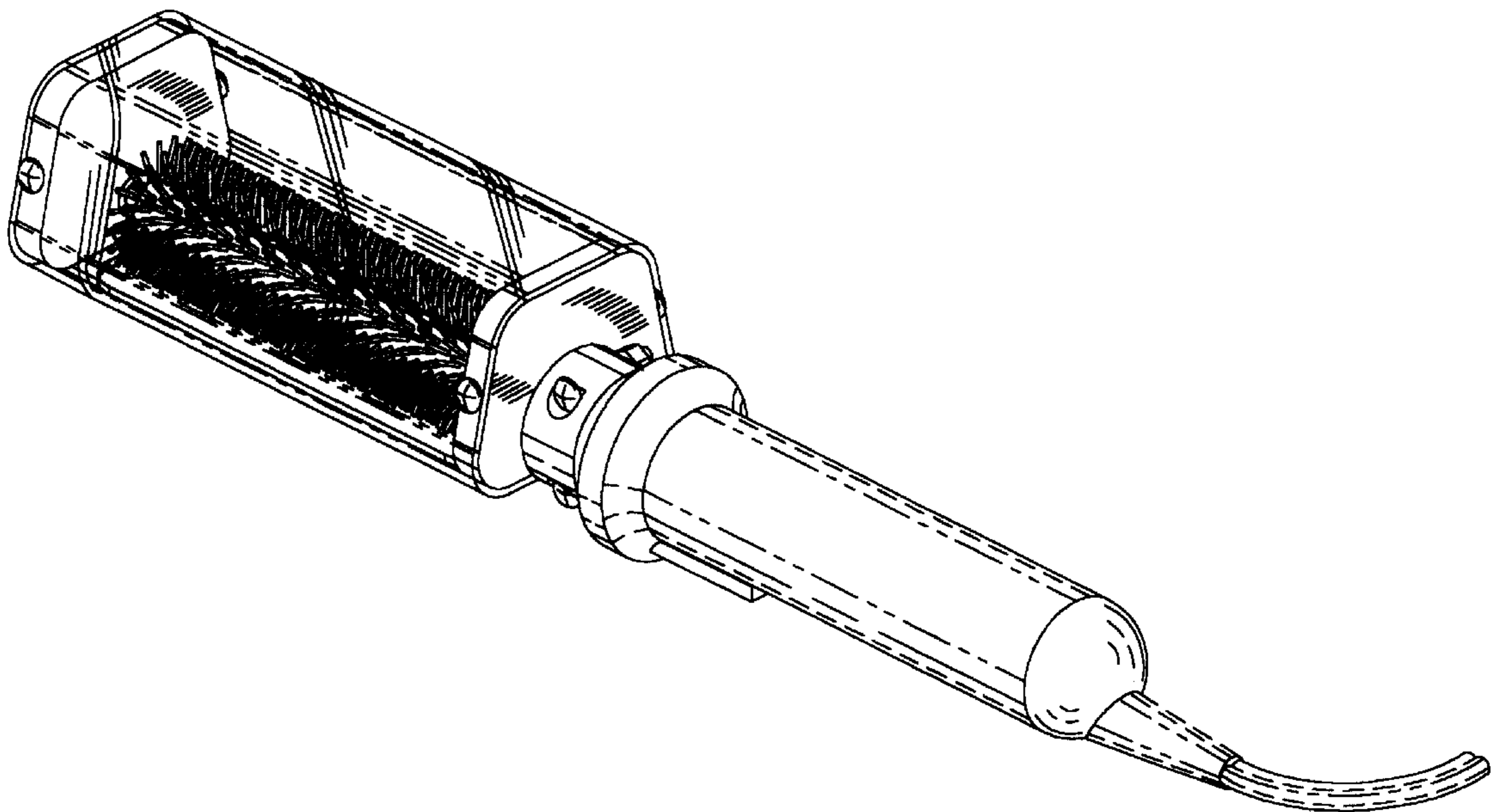
(57) **CLAIM**

The ornamental design for a fish scaler, as shown and described.

DESCRIPTION

FIG. 1 is a top perspective view of the fish scaler, showing my new design;
FIG. 2 is a bottom perspective view of the fish scaler;
FIG. 3 is a bottom plan view, thereof;
FIG. 4 is a top plan view thereof;
FIG. 5 is a front elevational view thereof;
FIG. 6 is a rear elevational view thereof;
FIG. 7 is a left side elevational view thereof; and,
FIG. 8 is a right side elevational view of the fish scaler illustrated in FIGS. 1–7.

1 Claim, 3 Drawing Sheets



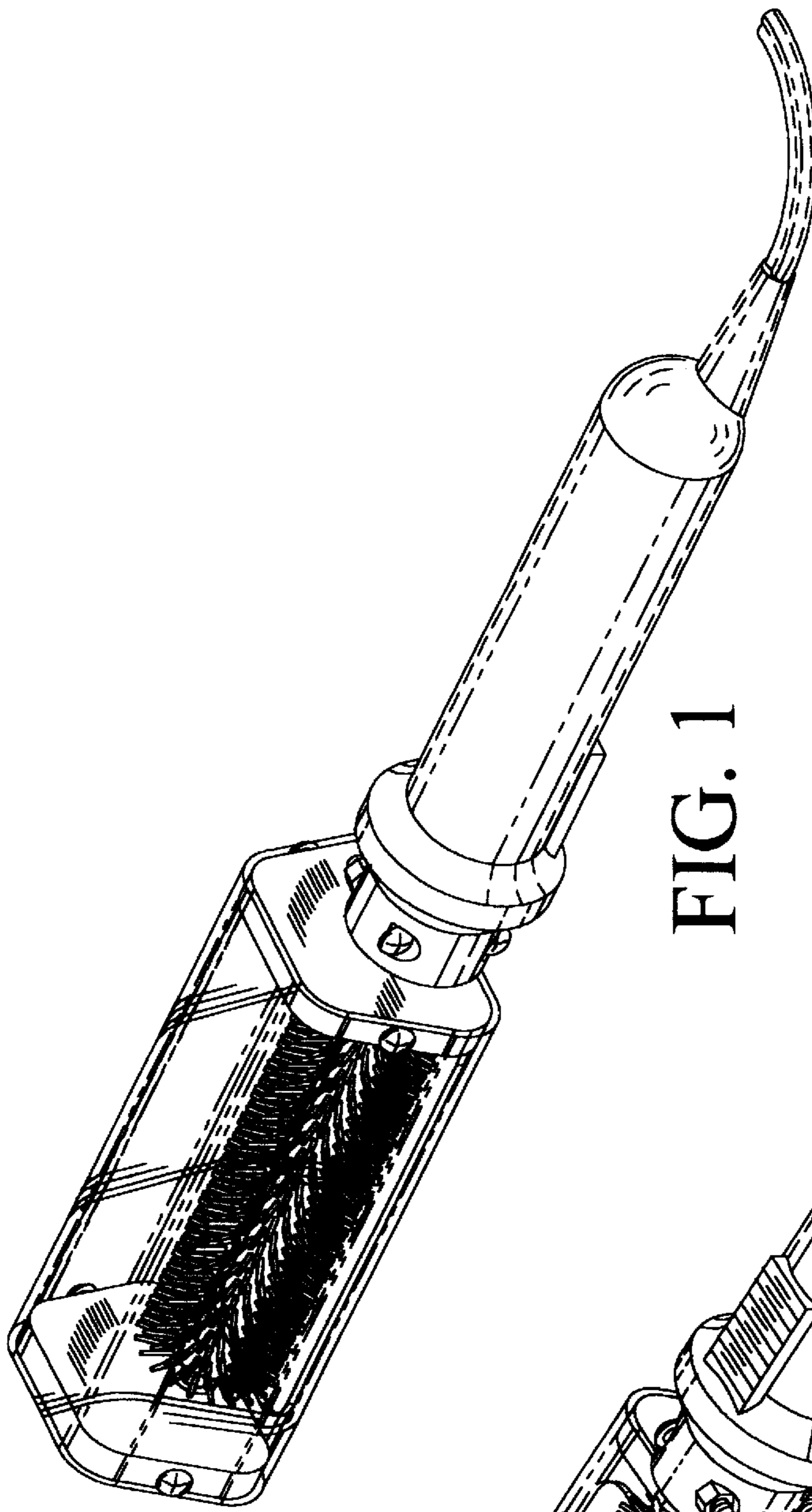


FIG. 1

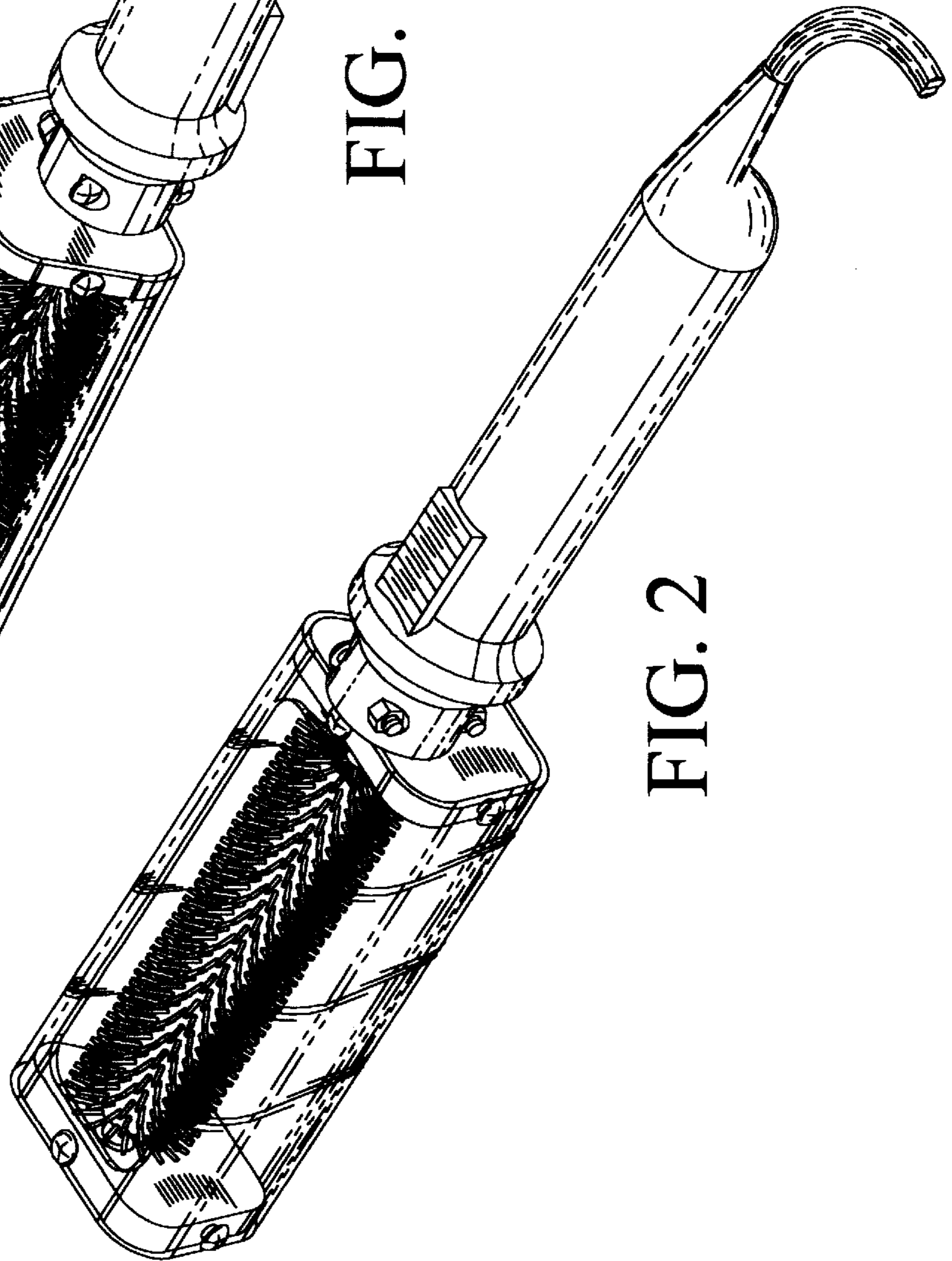


FIG. 2

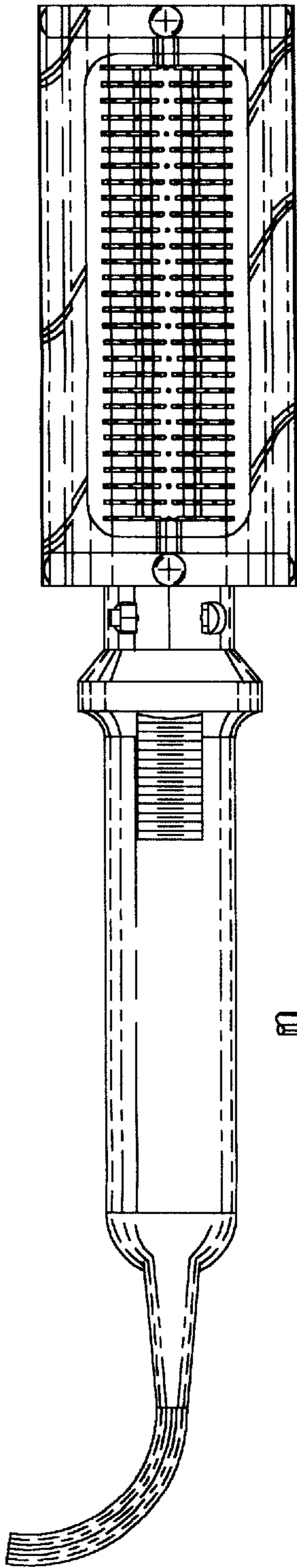


FIG. 3

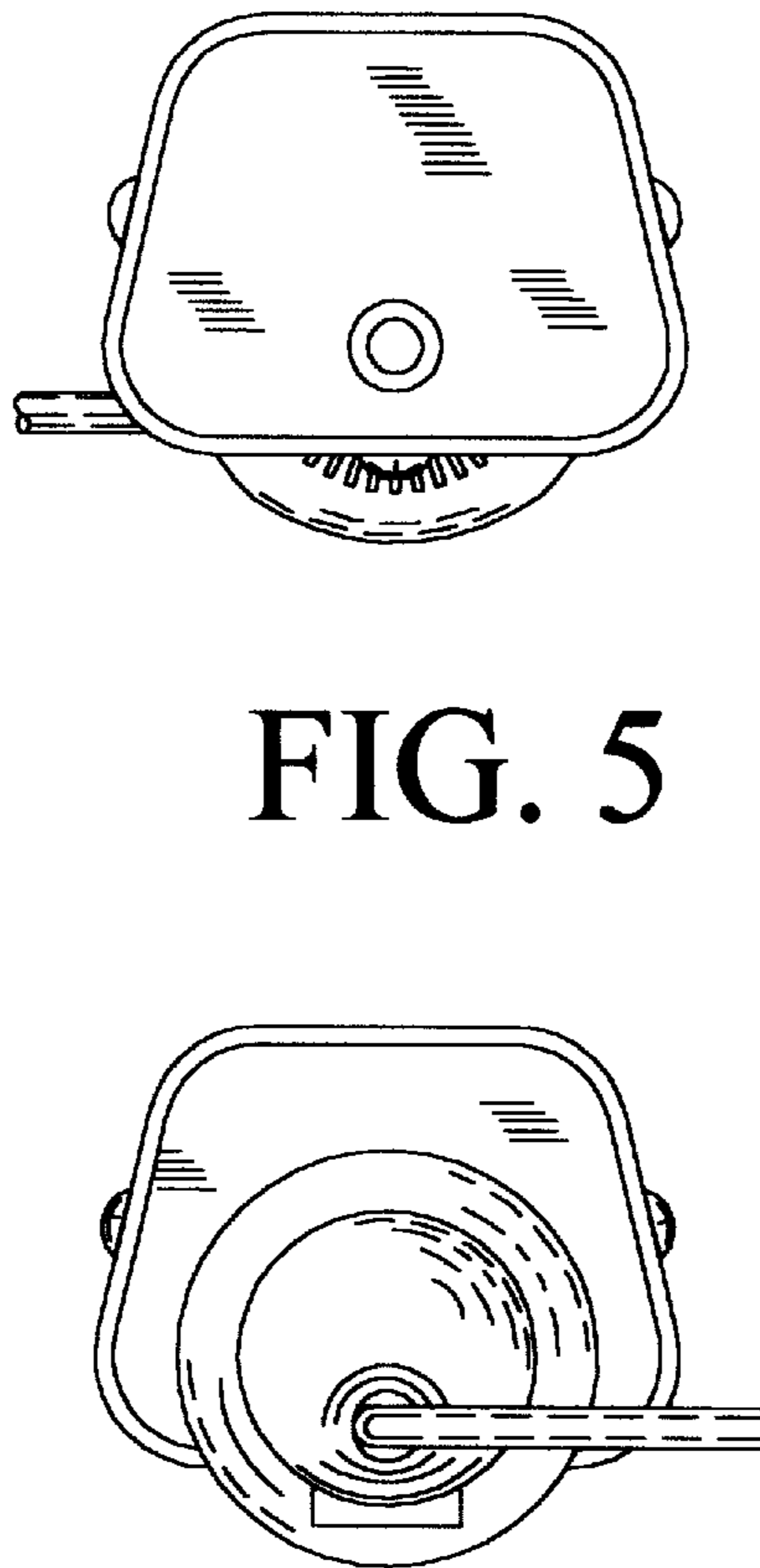


FIG. 5

FIG. 6

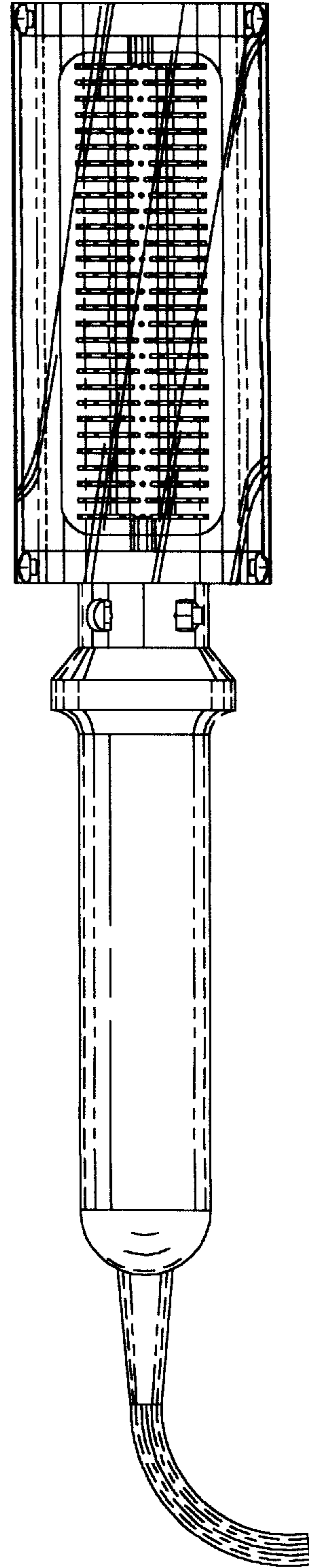


FIG. 4

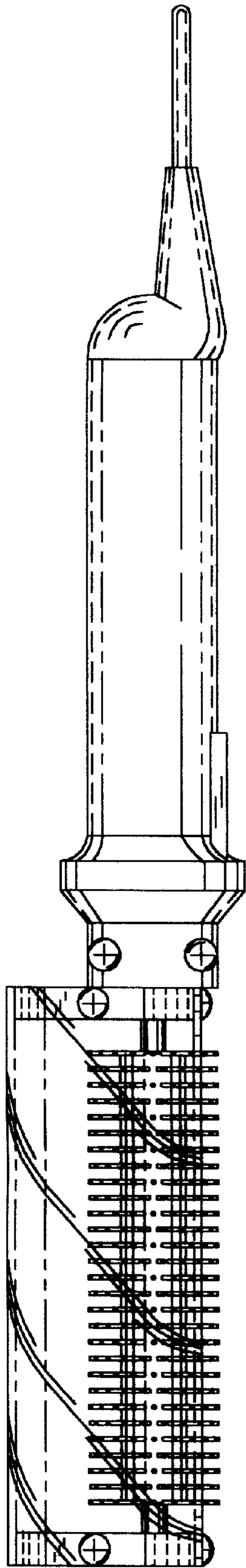


FIG. 7

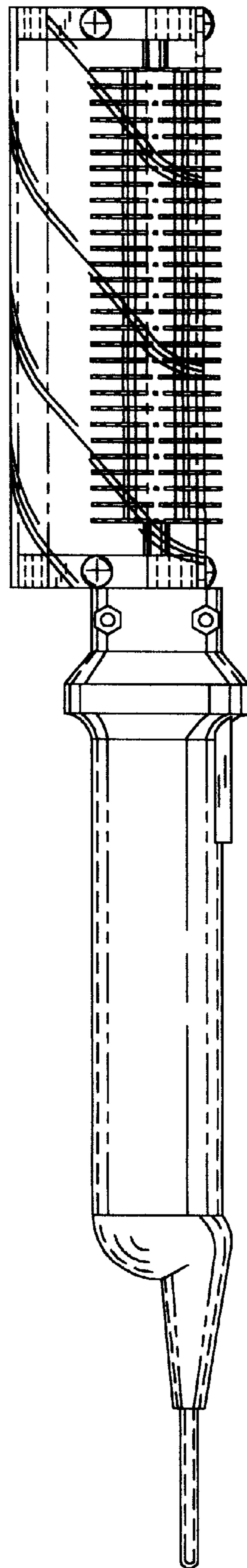


FIG. 8