



US00D440458S

(12) **United States Design Patent**  
**Ohu**

(10) **Patent No.:** **US D440,458 S**

(45) **Date of Patent:** **\*\* Apr. 17, 2001**

(54) **SINGLE COOL/HOT WATER DISPENSER**

(76) Inventor: **Hee-Bum Ohu**, 7-402, Daelim Apt.,  
Jamwon-dong, Seocho-gu, Seoul (KR)

(\*\*) Term: **14 Years**

(21) Appl. No.: **29/113,619**

(22) Filed: **Nov. 9, 1999**

**Related U.S. Application Data**

(62) Division of application No. 29/103,675, filed on Apr. 19,  
1999.

(30) **Foreign Application Priority Data**

Oct. 23, 1998 (KR) ..... 18223/1998  
Oct. 30, 1998 (KR) ..... 18709/1998

(51) **LOC (7) Cl.** ..... **07-01**

(52) **U.S. Cl.** ..... **D7/306; D7/300**

(58) **Field of Search** ..... D7/306, 307, 308,  
D7/309, 311, 310, 305, 304, 300; 222/306,  
308, 185.1, 158, 173

(56) **References Cited**

**U.S. PATENT DOCUMENTS**

D. 40,558 \* 3/1910 Calvert ..... D7/313  
D. 41,335 \* 4/1911 Lippincott ..... D7/313  
D. 41,365 \* 5/1911 Calvert ..... D7/311  
D. 44,555 \* 8/1913 Calvert ..... D7/311

D. 45,033 \* 12/1913 Travis ..... D7/311  
D. 47,948 \* 10/1915 Courtney ..... D7/311  
D. 125,435 \* 2/1941 Swann ..... D7/311  
D. 128,648 \* 8/1941 Titus ..... D7/311  
D. 138,363 \* 7/1944 Giuriati ..... D7/311  
D. 181,266 \* 3/1910 Alvarez ..... D7/311

\* cited by examiner

*Primary Examiner*—M. N. Pandozzi

(74) *Attorney, Agent, or Firm*—Dann, Dorfman, Herrell  
and Skillman; Henry H. Skillman

(57) **CLAIM**

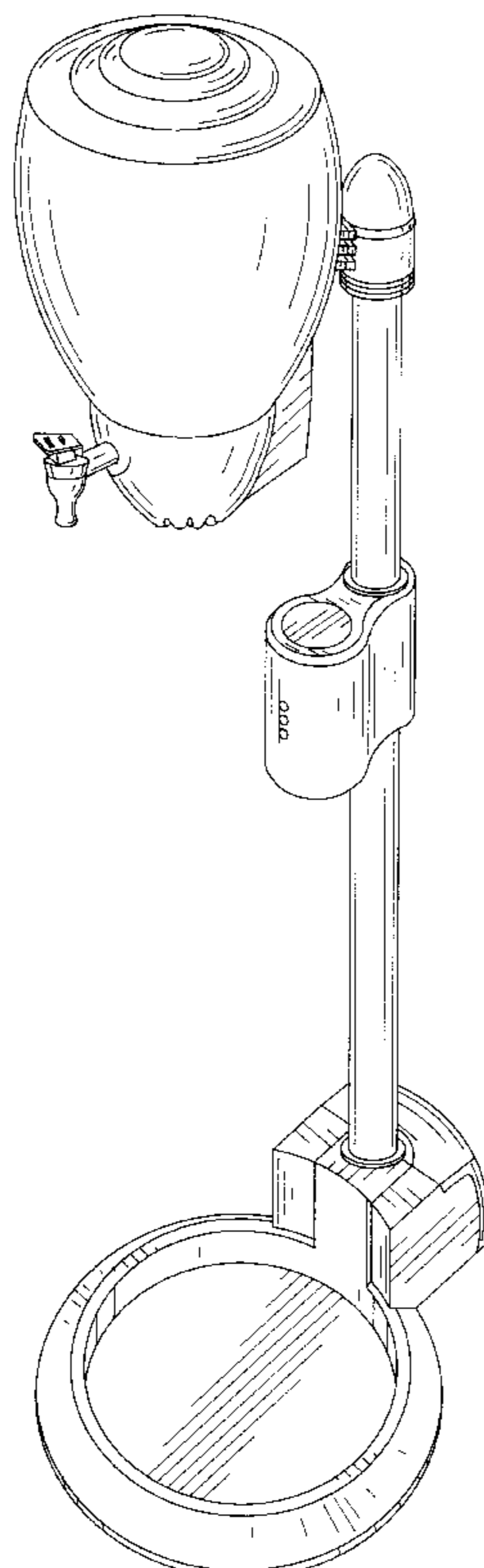
The ornamental design for a single cool/hot water dispenser,  
as shown and described.

**DESCRIPTION**

FIG. 1 is a perspective view of a first embodiment of a single  
cool/hot water dispenser showing the design;  
FIG. 2 is a front view thereof;  
FIG. 3 is a rear view thereof;  
FIG. 4 is a left side view thereof, the right side view thereof  
being a mirror image;  
FIG. 5 is a top plan view thereof;  
FIG. 6 is a bottom plan view thereof; and,  
FIG. 7 is a left side view thereof.

The broken line showing of a tube and bottle in FIG. 7 is for  
illustrative purposes only and forms no part of the claimed  
design.

**1 Claim, 5 Drawing Sheets**



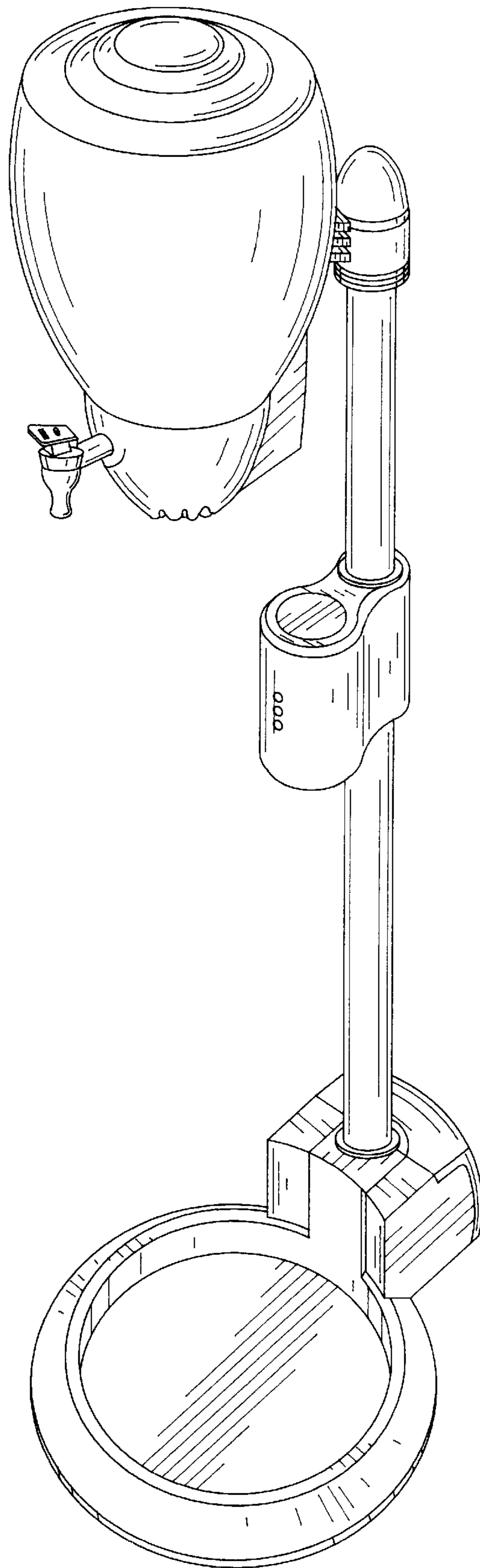


FIG. 1

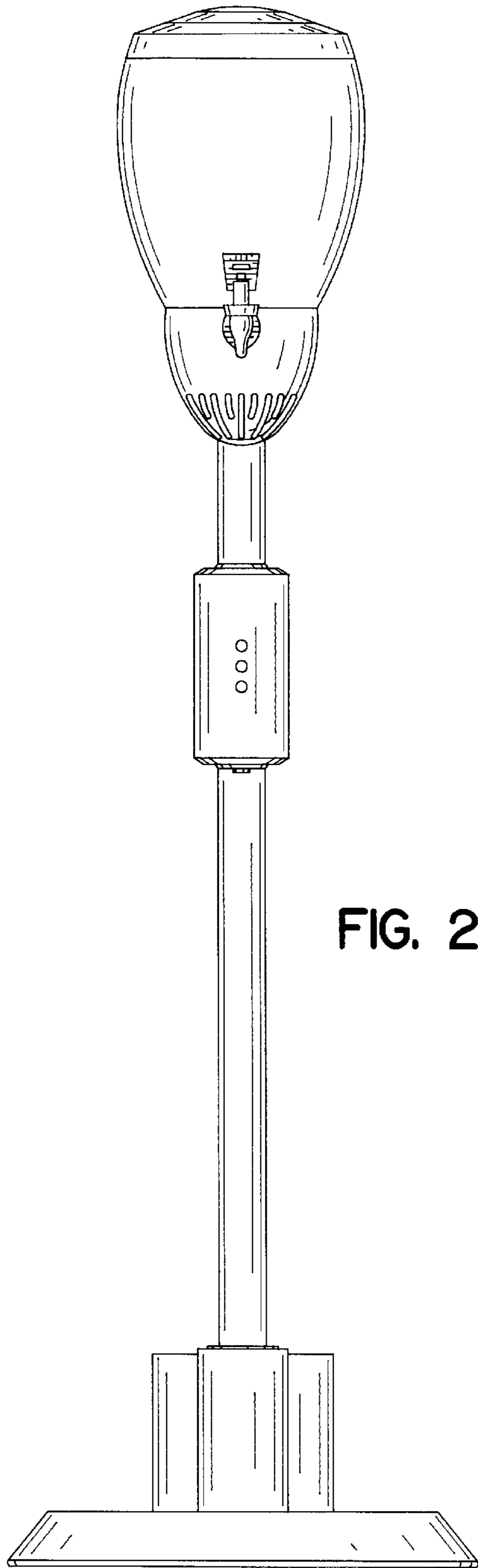


FIG. 2

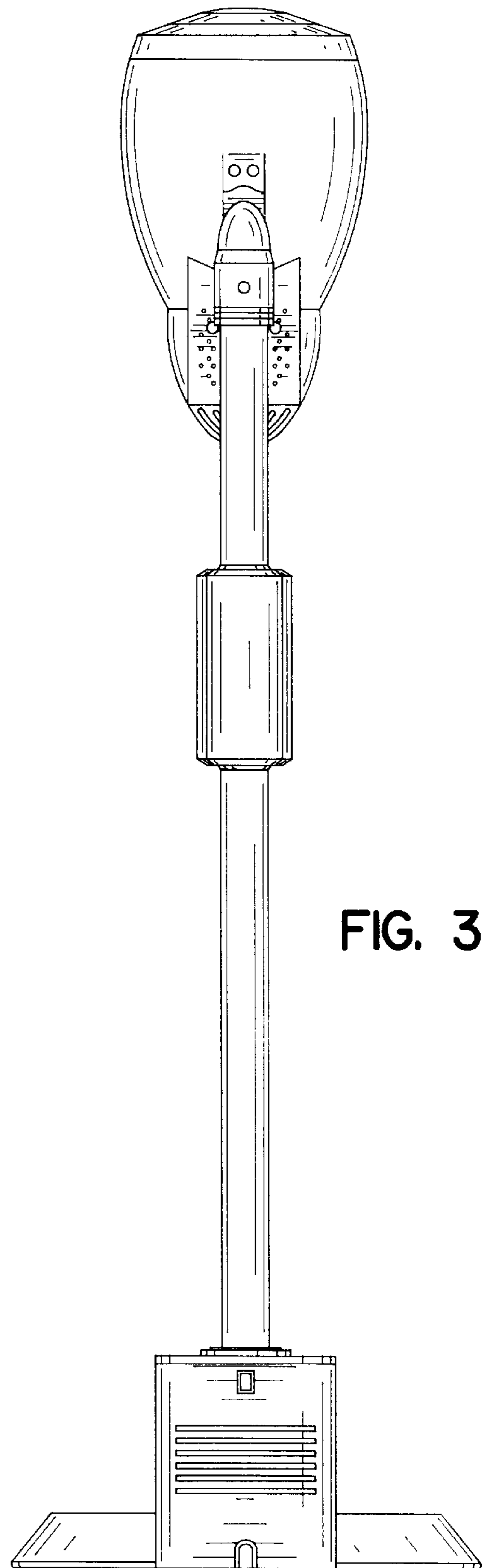


FIG. 3

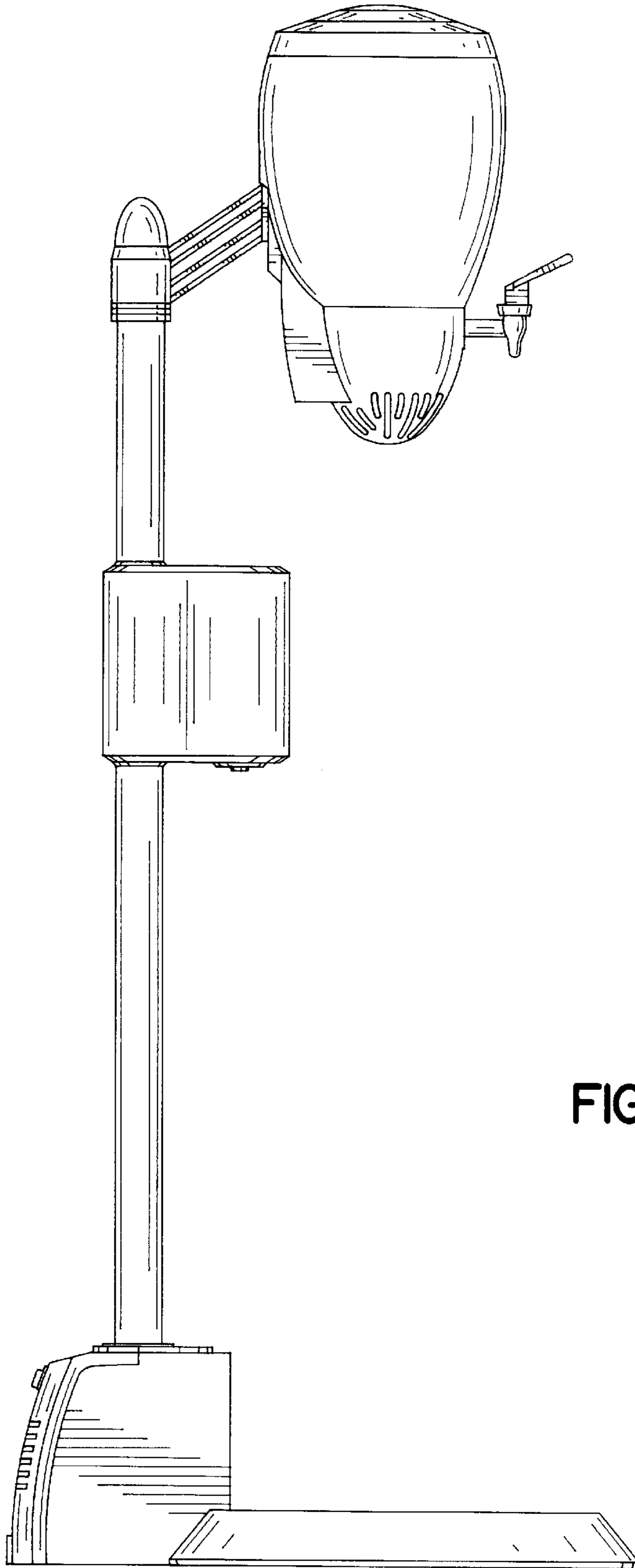


FIG. 4

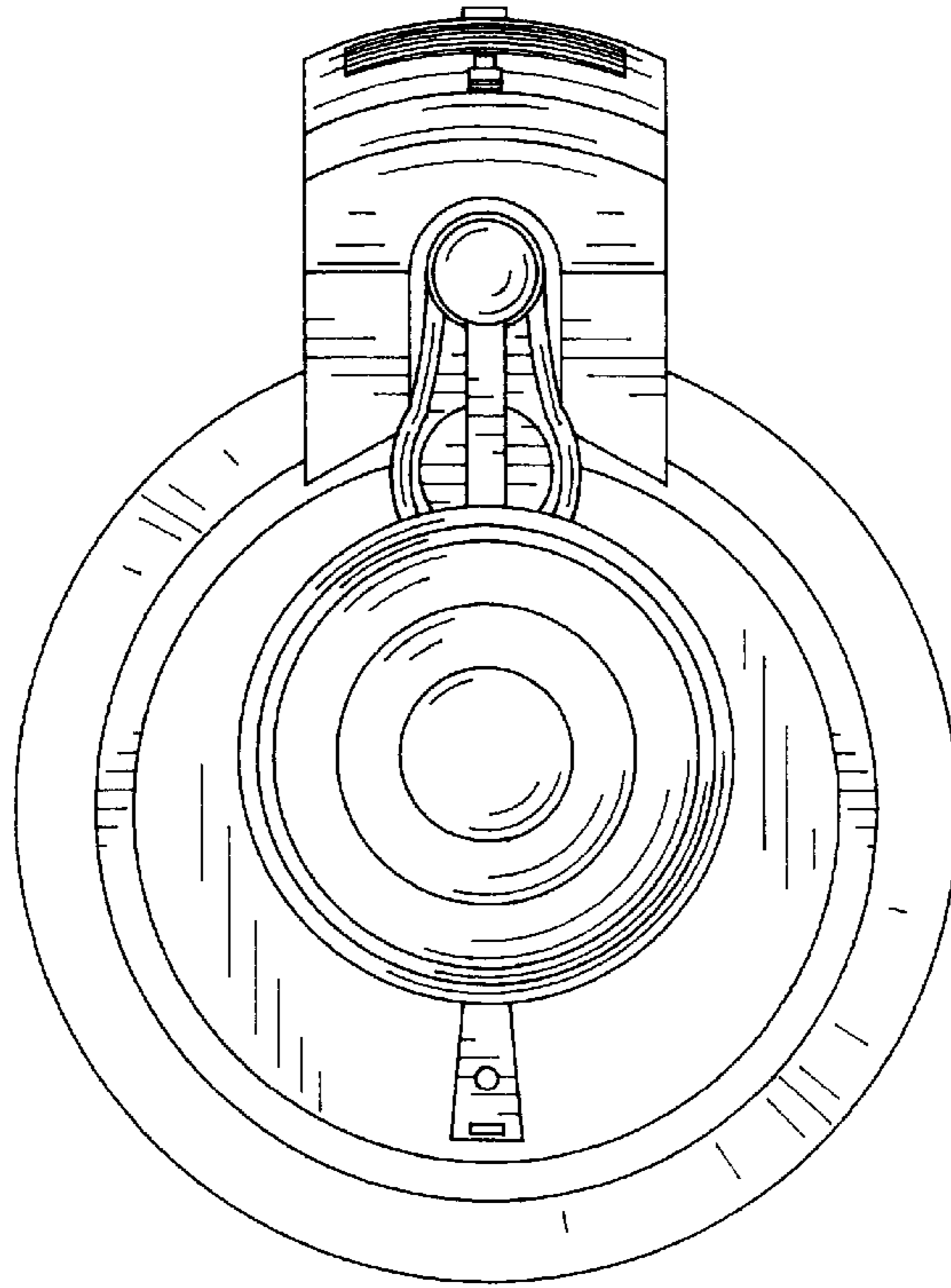


FIG. 5

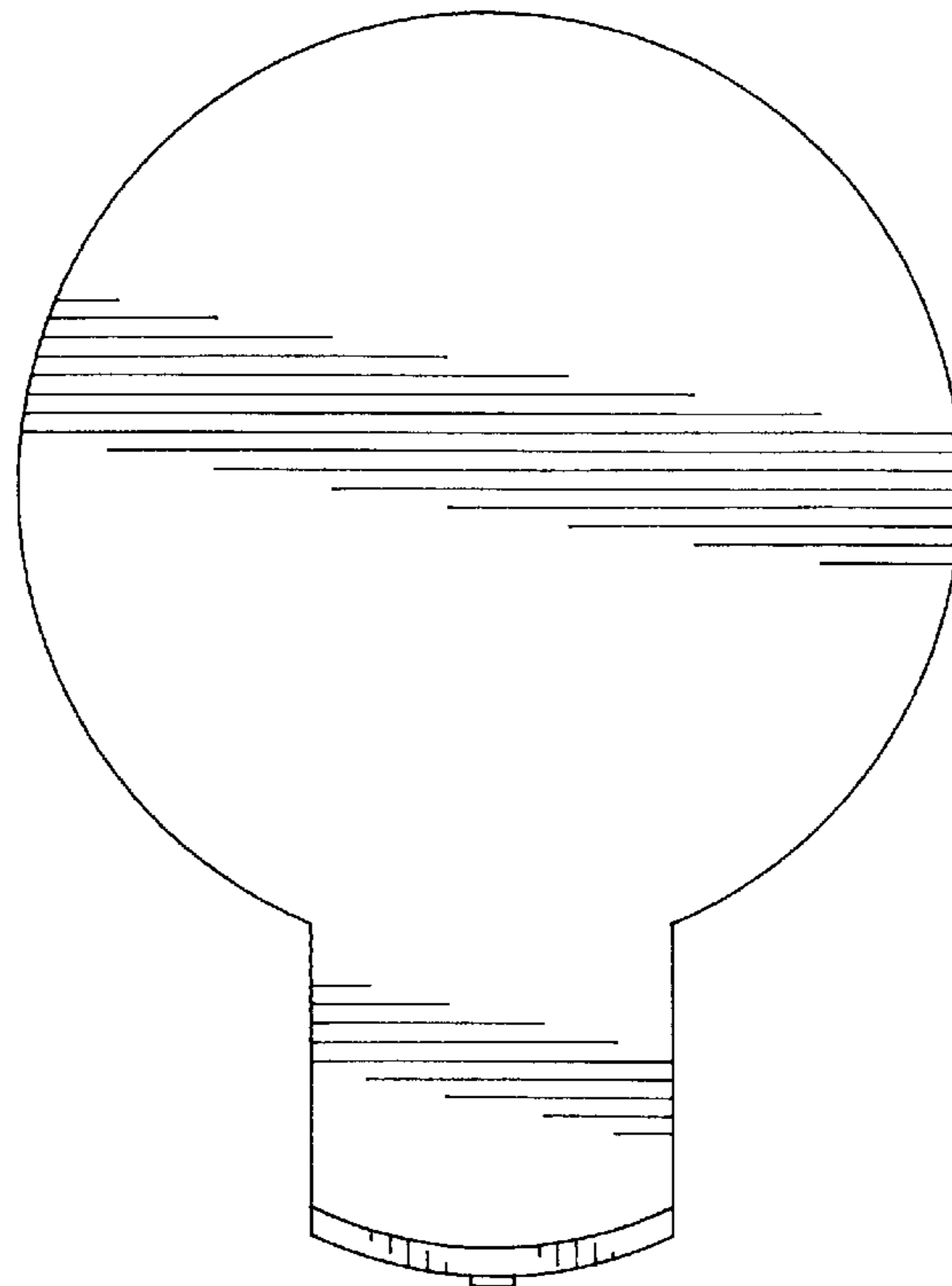


FIG. 6

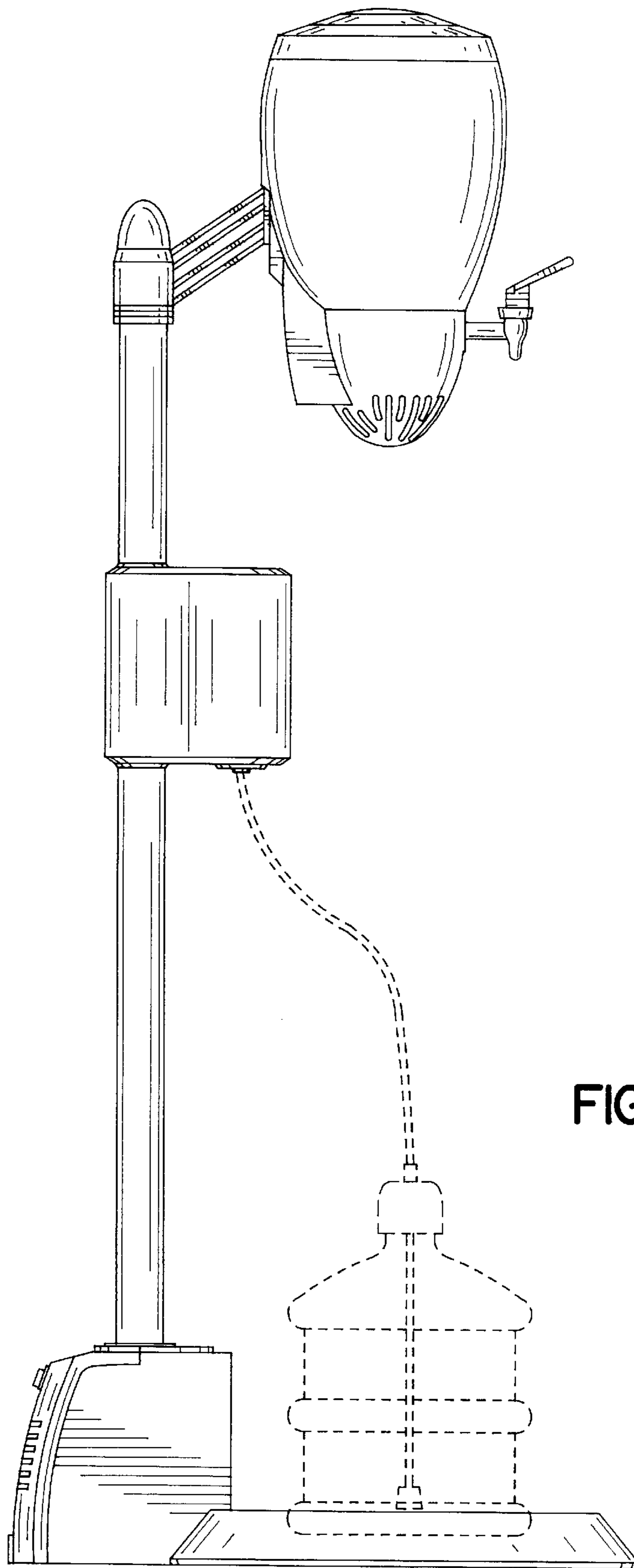


FIG. 7