



US00D440449S

(12) **United States Design Patent**
Swiszc et al.

(10) **Patent No.:** **US D440,449 S**

(45) **Date of Patent:** **** Apr. 17, 2001**

(54) **VANE WITH SINGLE FLAT TAIL FOR USE
IN COVERINGS FOR ARCHITECTURAL
OPENINGS**

(75) Inventors: **Paul G. Swiszc**, Boulder; **Jason T.
Throne**, Steamboat Springs, both of CO
(US)

(73) Assignee: **Hunter Douglas Inc.**, Upper Saddle
River, NJ (US)

(**) Term: **14 Years**

(21) Appl. No.: **29/128,477**

(22) Filed: **Aug. 25, 2000**

Related U.S. Application Data

(62) Division of application No. 09/256,129, filed on Feb. 24,
1999, which is a continuation of application No. 08/853,307,
filed on May 8, 1997, now Pat. No. 5,960,850, which is a
continuation of application No. 08/437,959, filed on May 10,
1995, now abandoned.

(51) **LOC (7) Cl.** **06-10**

(52) **U.S. Cl.** **D6/580**

(58) **Field of Search** D6/575, 578, 580;
160/178.1, 236, 168.1, 84.06, 84.1, 900,
330, 348

(56) **References Cited**

U.S. PATENT DOCUMENTS

2,169,873	*	8/1939	Clark, Jr.	160/178.1
2,326,454	*	8/1943	Gentile	160/236
2,757,727	*	8/1956	Findell	160/168.1
3,844,330		10/1974	Hyman	.
3,851,699		12/1974	Shapiro	.
3,946,789		3/1976	Ronkholz-Tolle	.
4,352,384		10/1982	McCoy, Jr.	.
4,434,834		3/1984	Ennes	.
4,466,476		8/1984	Fairbanks	160/330
4,519,435		5/1985	Stier	.
4,535,828		8/1985	Brockhaus	.

(List continued on next page.)

FOREIGN PATENT DOCUMENTS

387188	3/1940	(CA)	.
837171	4/1952	(DE)	.
2644354	8/1978	(DE)	160/236
2920323	11/1980	(DE)	.
3207850	9/1983	(DE)	.
3312988	10/1984	(DE)	.
9001429	5/1990	(DE)	.
288937	7/1987	(EP)	.
469695	2/1992	(EP)	.
623832	5/1949	(GB)	.
2275074	8/1994	(GB)	.

OTHER PUBLICATIONS

Spanish Disclosure No. 144292 dateds Dec. 26, 1968 (no
translation available).

Primary Examiner—Mitchell Siegel

(74) *Attorney, Agent, or Firm*—Dorsey & Whitney LLP

(57) **CLAIM**

We claim the ornamental design for a vane with single flat
tail for use in coverings for architectural openings, as shown
and described.

DESCRIPTION

FIG. 1 is an isometric view of a first embodiment of the vane
with single flat tail for use in coverings for architectural
openings.

FIG. 2 is a top plan view of the vane shown in FIG. 1, with
a bottom plan view being a mirror image thereof.

FIG. 3 is a left end elevation of the vane of FIG. 1.

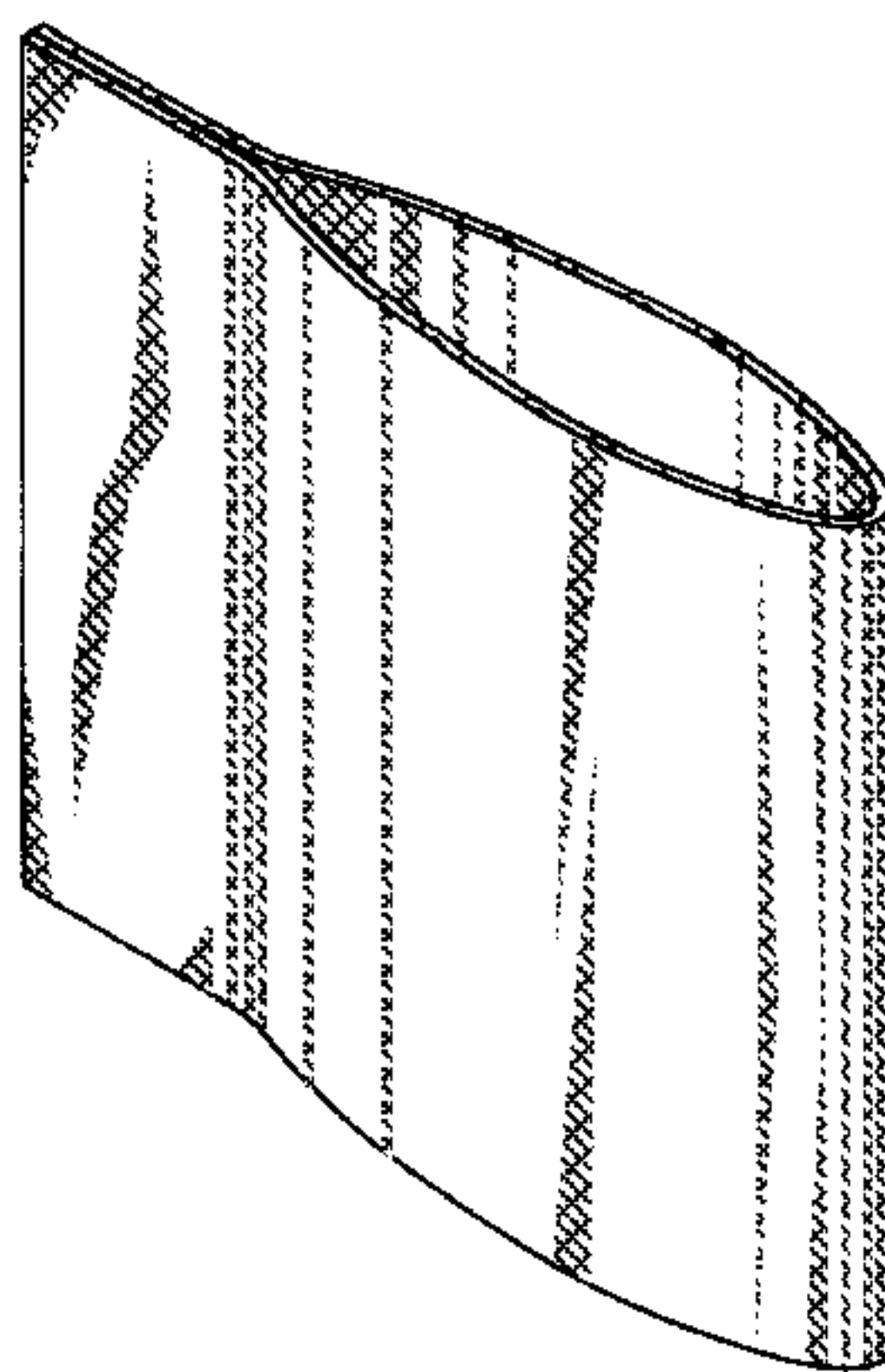
FIG. 4 is a front elevation of the vane of FIG. 1, with a rear
elevation being a mirror image thereof.

FIG. 5 is a right end elevation of the vane of FIG. 1.

FIG. 6 is an isometric view of a second embodiment of the
vane of the present invention; and,

FIG. 7 is a top plan view of the vane shown in FIG. 6, with
the front, rear, right, and left elevations being identical to
those shown in connection with the embodiment illustrated
in FIG. 1, and with a bottom plan view being a mirror image
thereof.

1 Claim, 2 Drawing Sheets



US D440,449 S

Page 2

U.S. PATENT DOCUMENTS

4,846,243	*	7/1989	Schneider	160/84.1	5,271,447	12/1993	Aronovich .		
4,893,667		1/1990	Dunn	160/236	5,297,607	3/1994	Beauchamp .		
4,911,220		3/1990	Hiller .		5,358,024	10/1994	Schwaegerle .		
4,930,562		6/1990	Goodman .		5,490,553	*	2/1996	Colson et al. 160/84.06	
5,012,552		5/1991	Wulf .		5,603,369	*	2/1997	Colson et al. 160/84.06	
5,101,876		4/1992	Zak .		5,749,404		5/1998	Colson	160/84.04
5,141,042	*	8/1992	Schwaegerie	160/236	5,797,442	*	8/1998	Colson et al. 160/236	
5,196,000		3/1993	Clear et al. .		5,960,850	*	10/1999	Colson et al. 160/236	
5,203,394		4/1993	Hailey .		6,095,227	*	8/2000	Colson et al. 160/168.1	
5,255,940		10/1993	Kornblum et al. .						

* cited by examiner

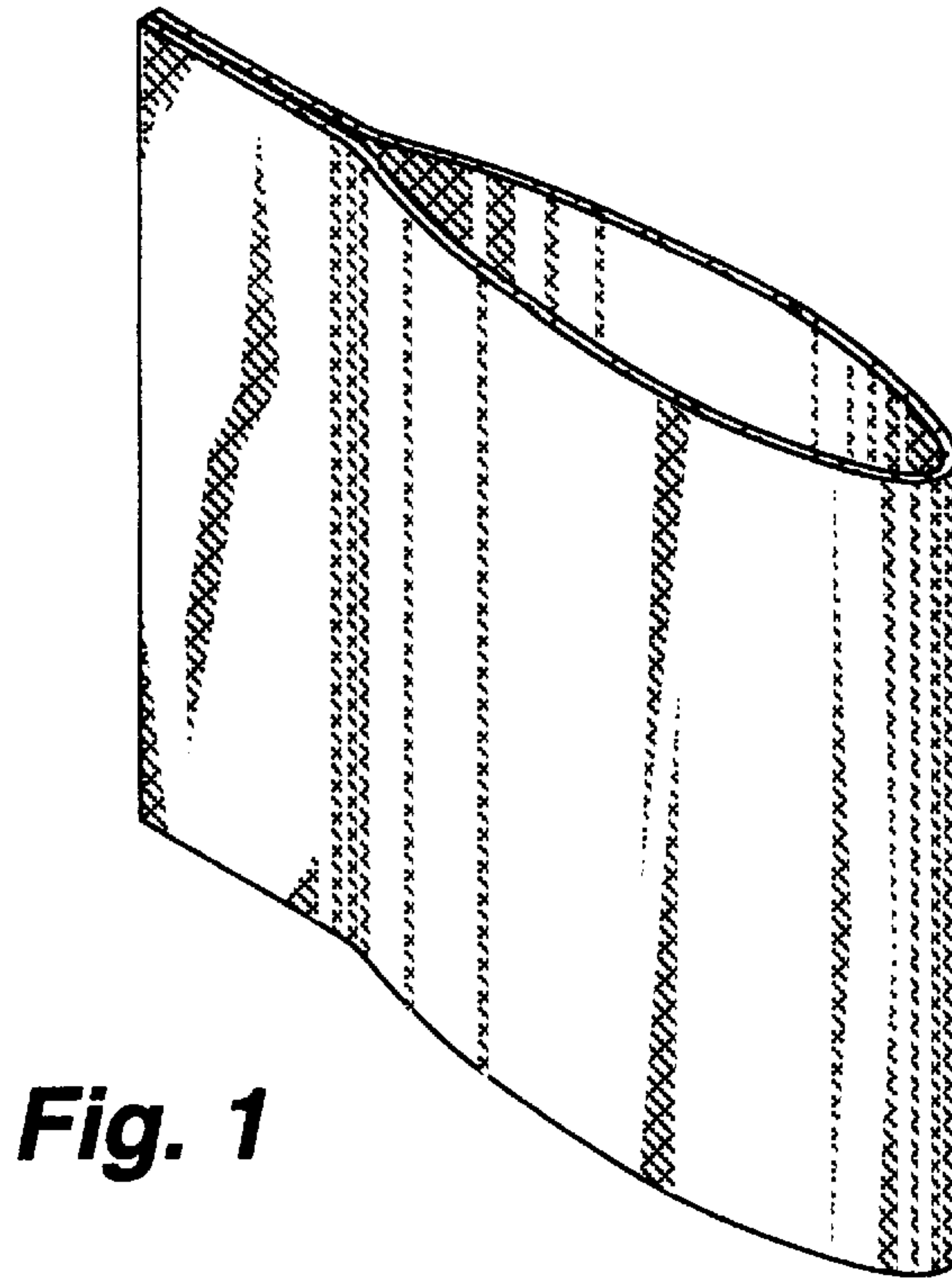


Fig. 1

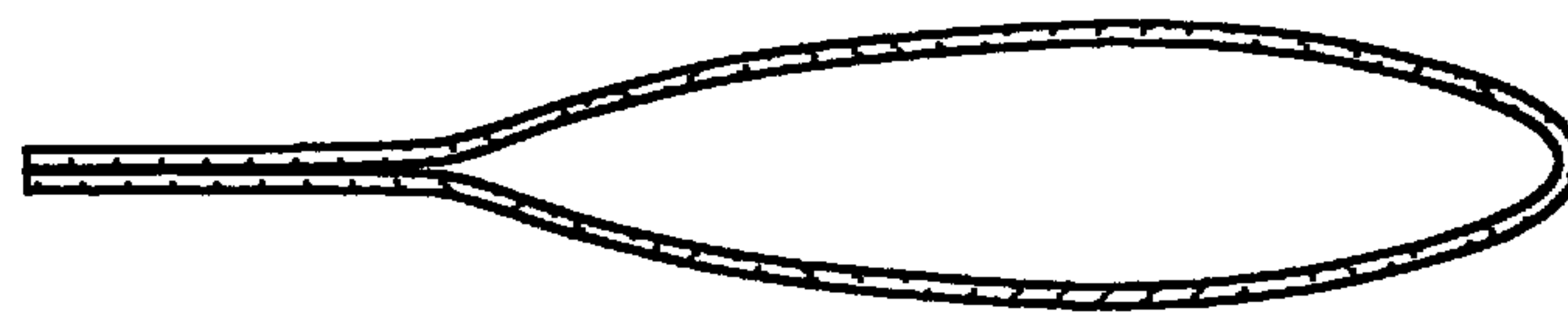


Fig. 2

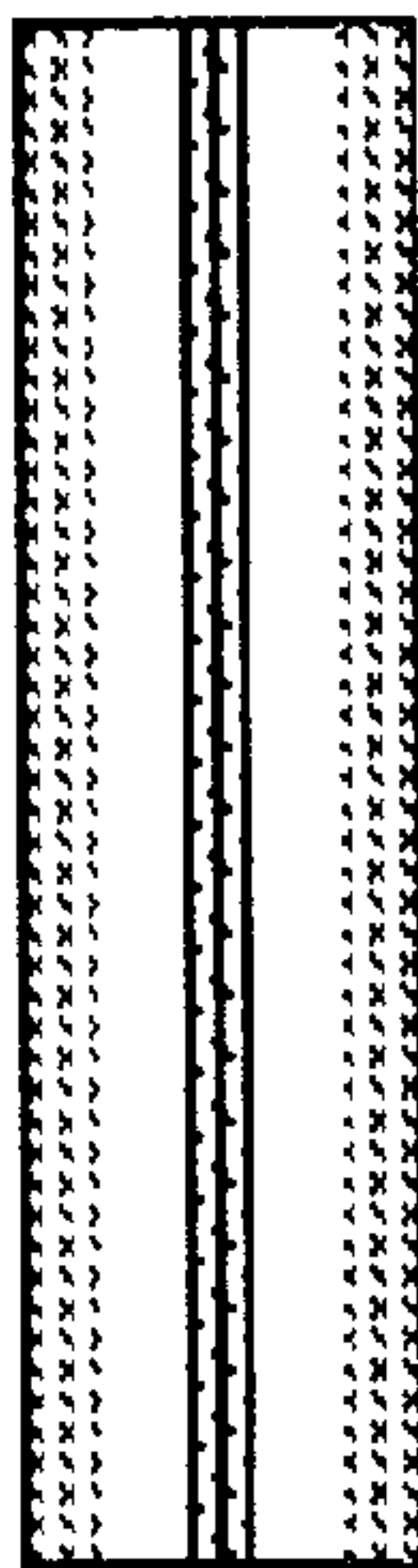


Fig. 3

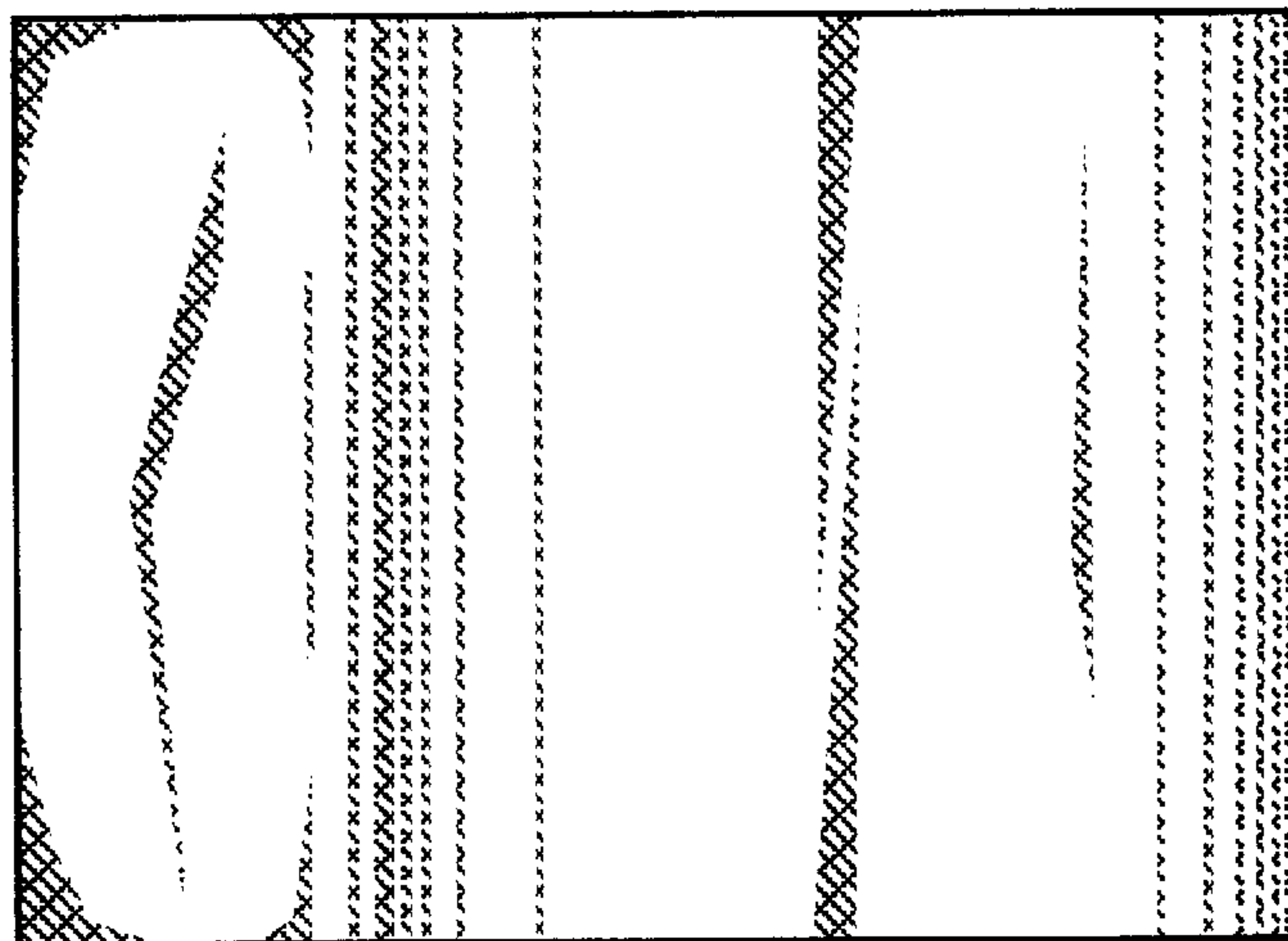


Fig. 4

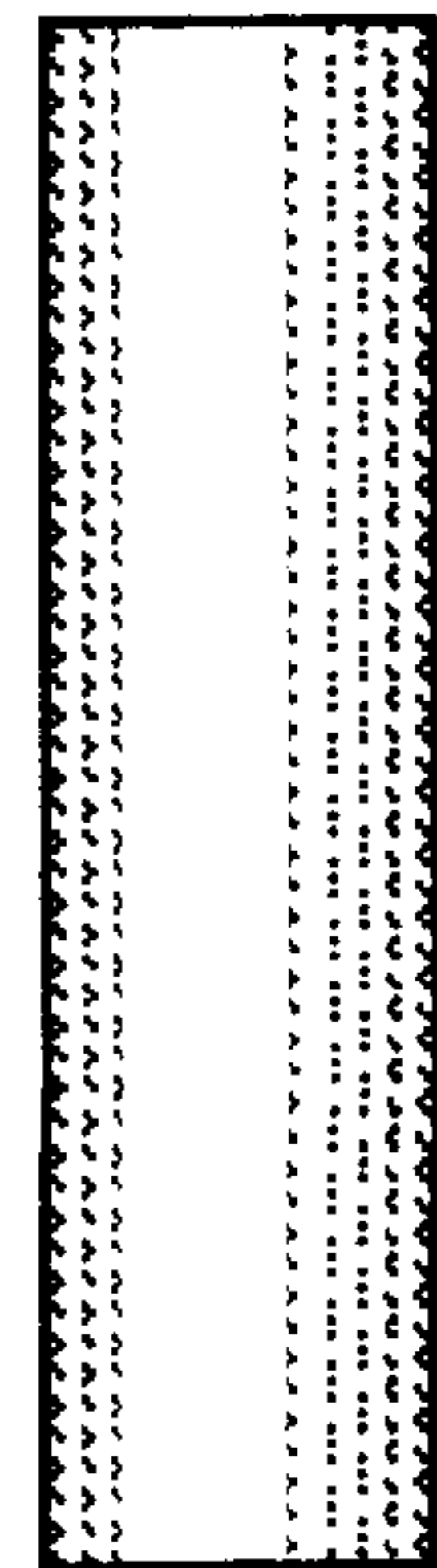


Fig. 5

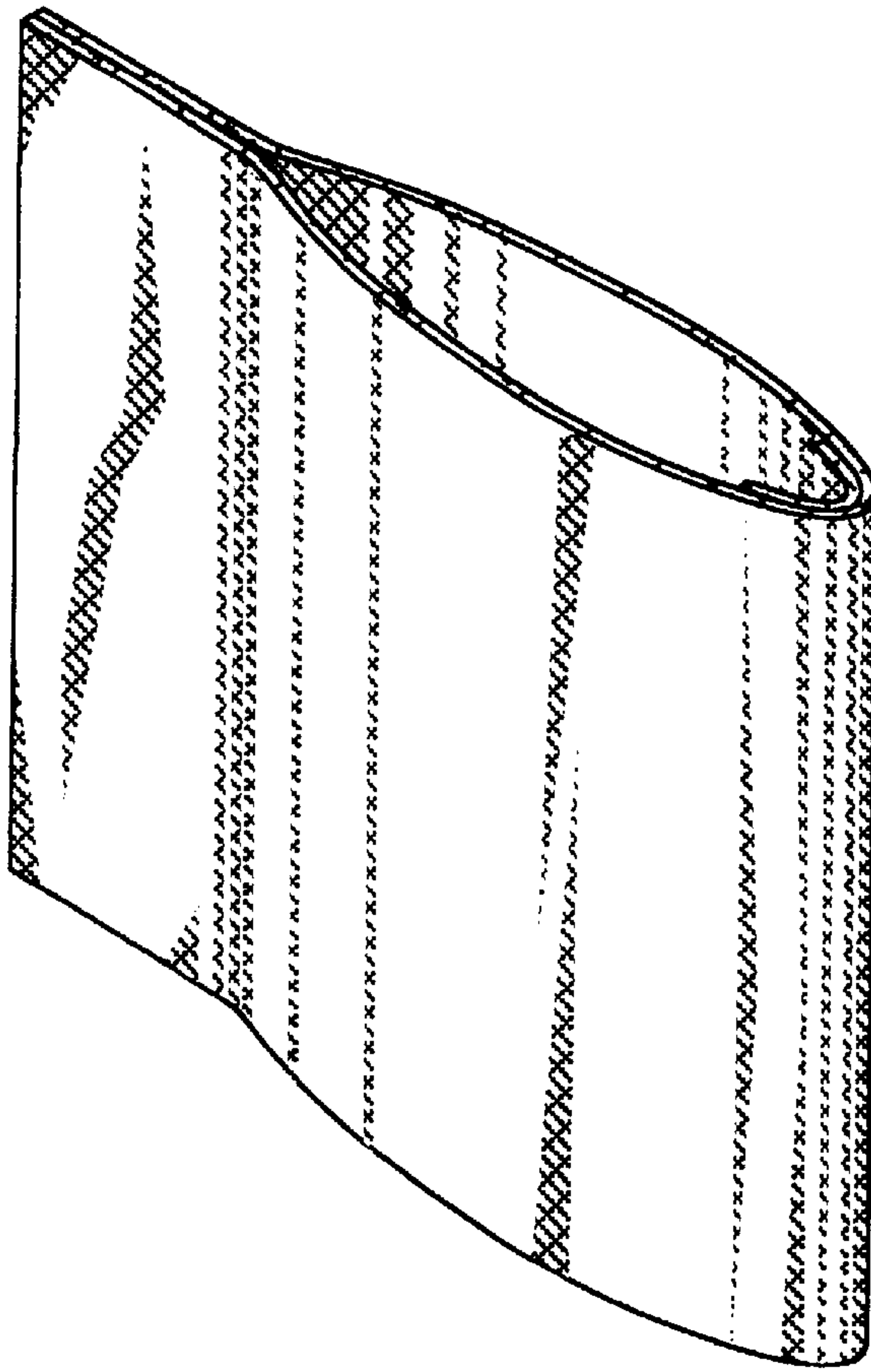


Fig. 6

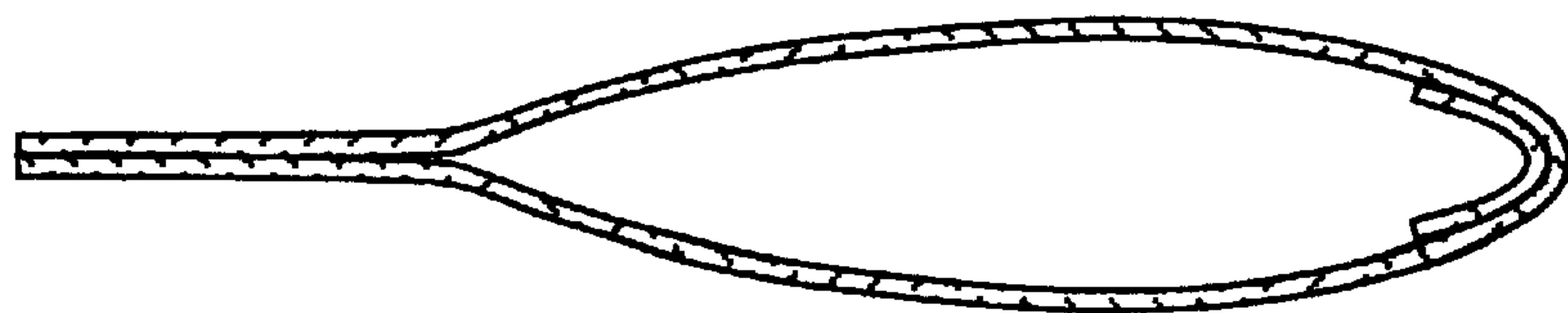


Fig. 7