



US00D440448S

(12) **United States Design Patent**
Horsten

(10) **Patent No.:** **US D440,448 S**

(45) **Date of Patent:** **** Apr. 17, 2001**

(54) **HEADRAIL END CAP FOR COVERING FOR ARCHITECTURAL OPENINGS**

D. 349,624 * 8/1994 Fraser et al. D6/580
4,267,875 * 5/1981 Koks 160/176.1

(76) Inventor: **Antonius Johannus Josephus Horsten**,
Muurbloemweg 77, 2555 NC Den Haag
(NL)

* cited by examiner

Primary Examiner—Mitchell Siegel

(74) *Attorney, Agent, or Firm*—Dorsey & Whitney LLP

(**) Term: **14 Years**

(57) **CLAIM**

(21) Appl. No.: **29/118,439**

I claim the ornamental design for a headrail end cap for covering for architectural openings, as shown.

(22) Filed: **Feb. 7, 2000**

(30) **Foreign Application Priority Data**

DESCRIPTION

Aug. 5, 1999 (XH) DMA/004 593

FIG. 1 is an isometric view looking at the front of the headrail end cap for covering for architectural openings;

(51) **LOC (7) Cl.** **06-10**

FIG. 2 is a front elevation thereof;

(52) **U.S. Cl.** **D6/580**

FIG. 3 is a rear elevation thereof;

(58) **Field of Search** D6/575, 577, 580;
160/902, 173, 168.1, 330, 345, 178.1, 177,
176.1

FIG. 4 is a left side elevation thereof;

FIG. 5 is a top plan view thereof.

FIG. 6 is a bottom plan view thereof; and,

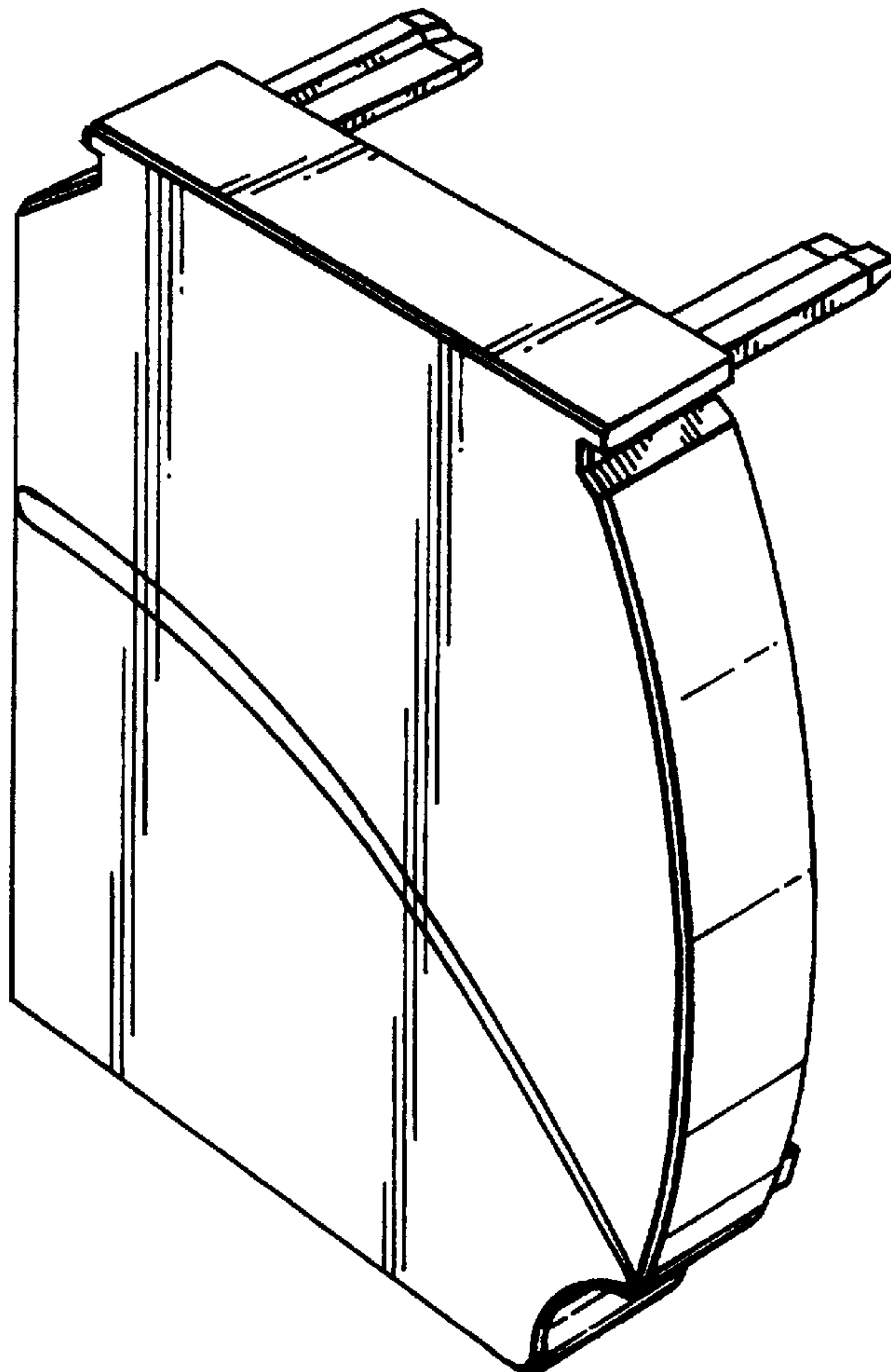
FIG. 7 is a right side elevation thereof.

(56) **References Cited**

U.S. PATENT DOCUMENTS

D. 333,936 * 3/1993 Van Der Zenden D6/580

1 Claim, 4 Drawing Sheets



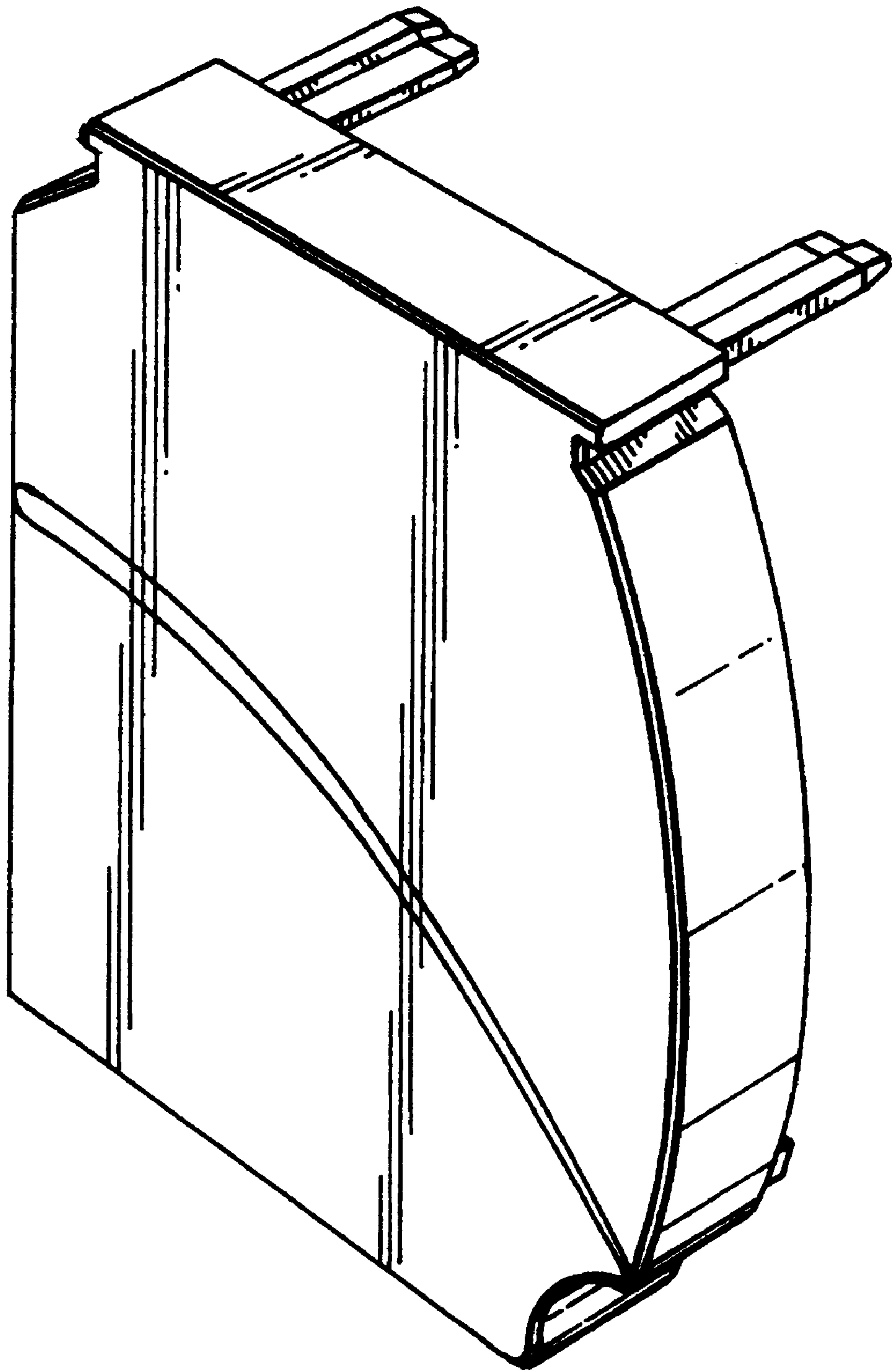


Fig. 1.

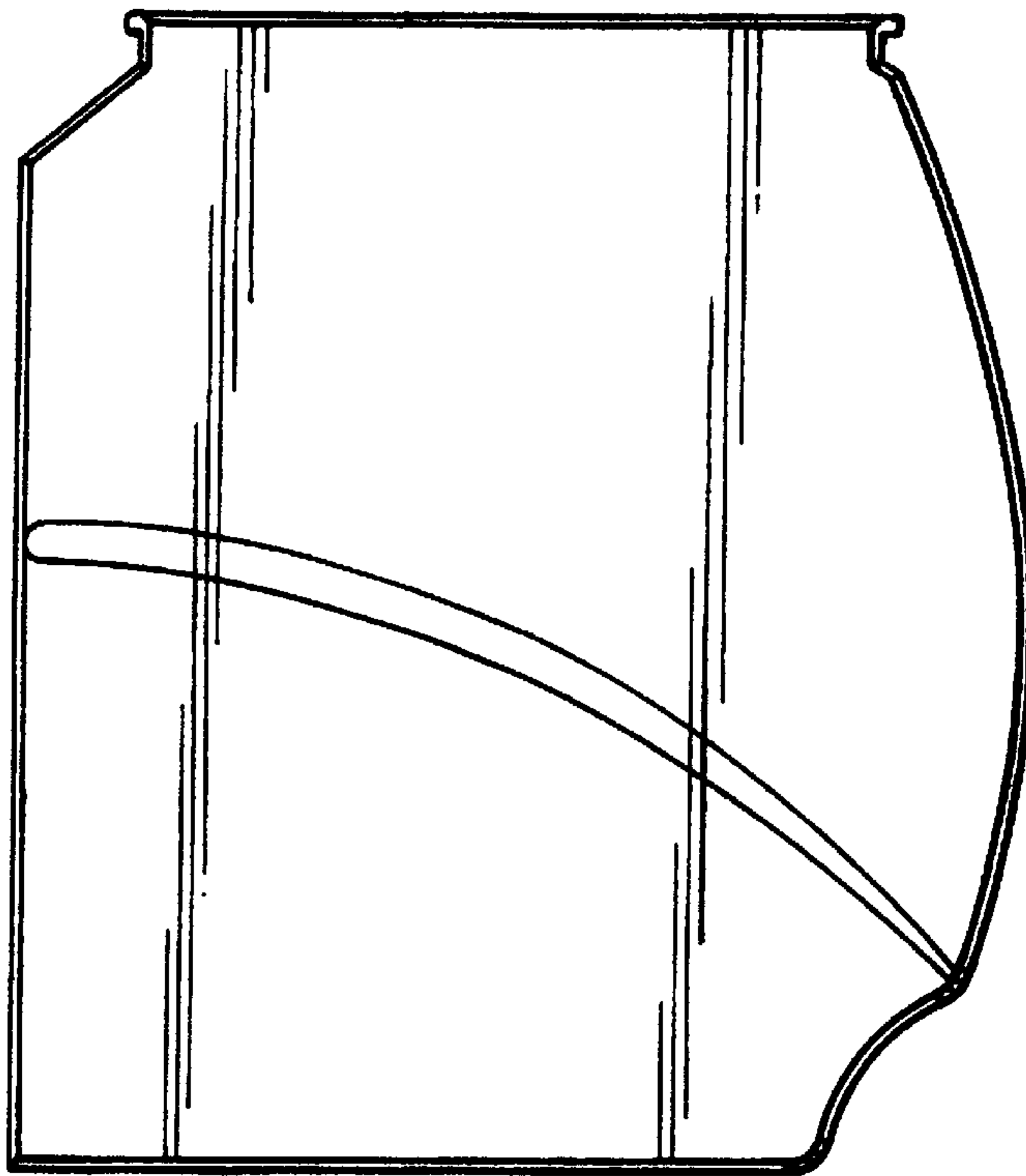


Fig. 2.

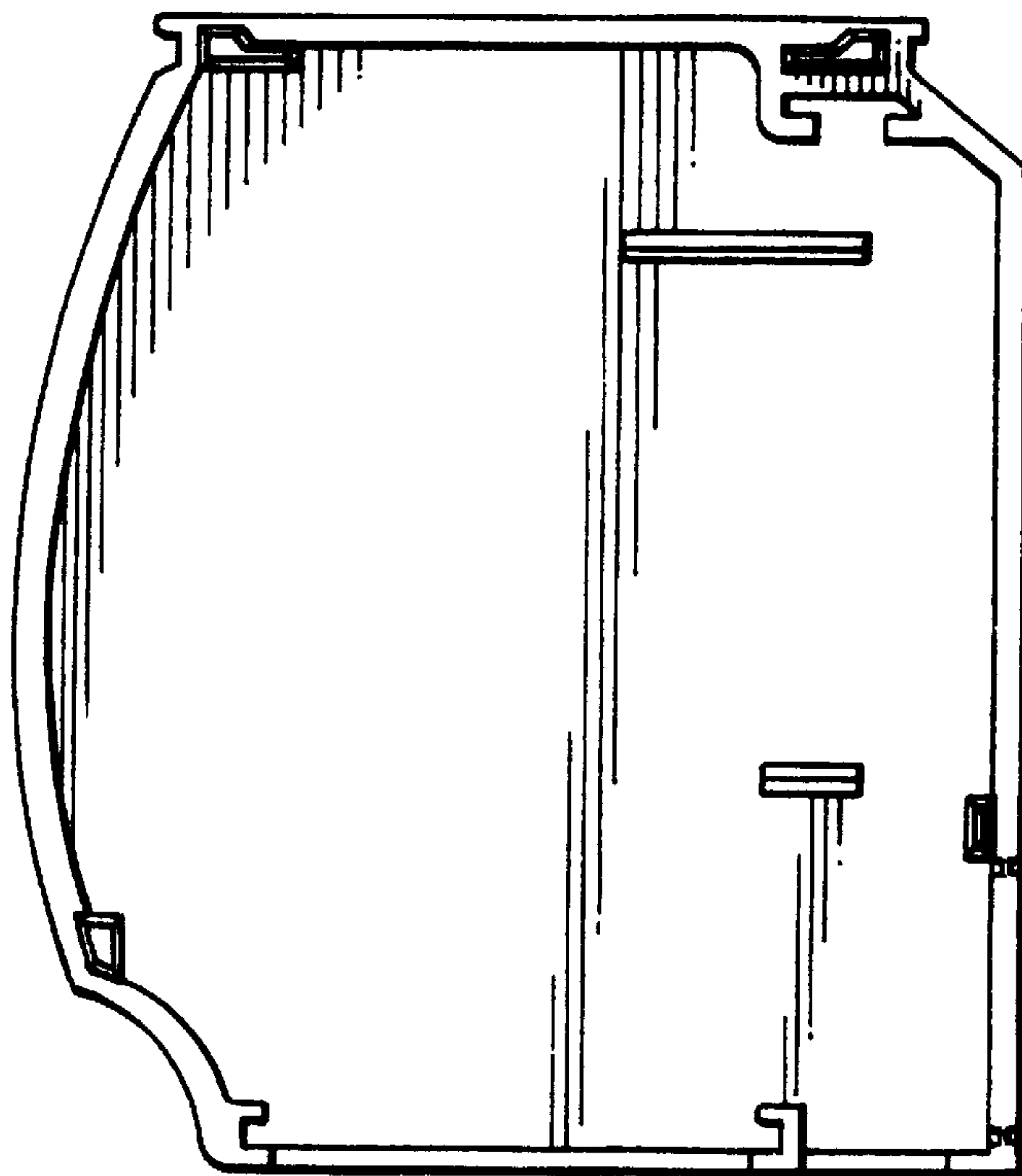


Fig. 3.

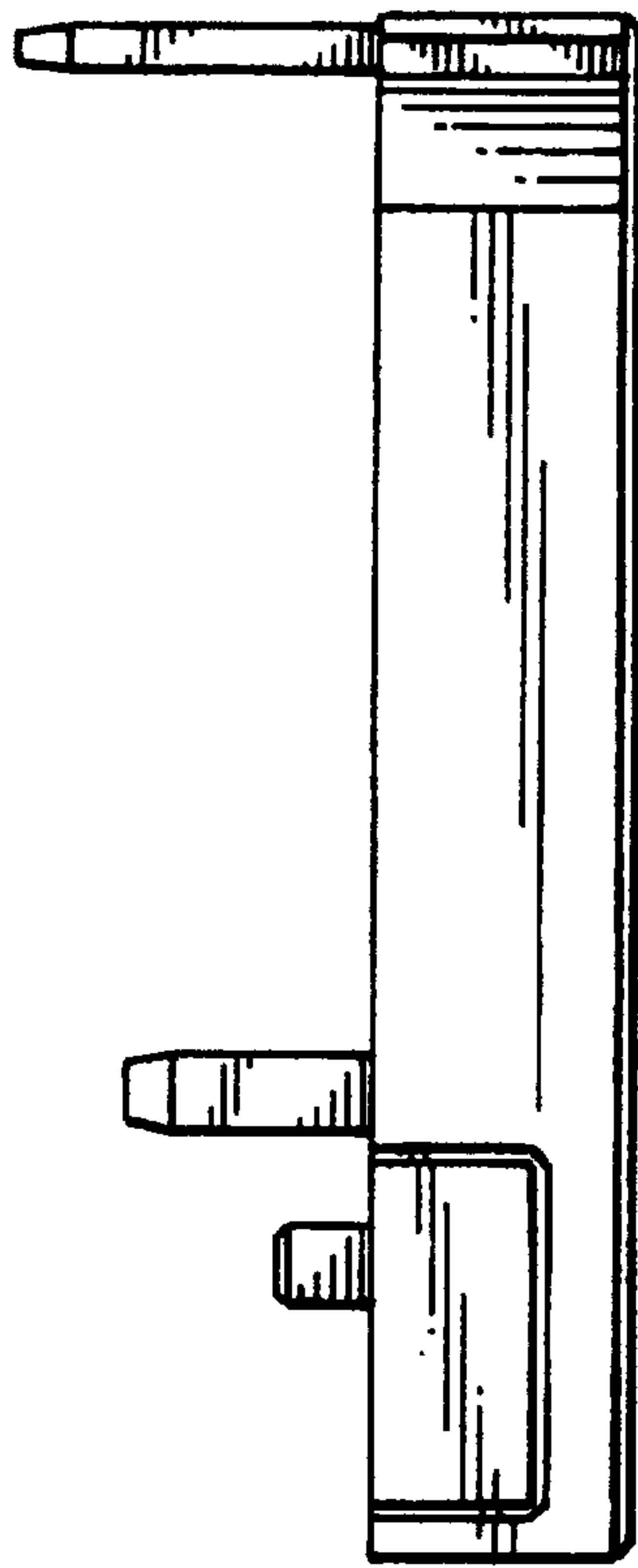


Fig.4.

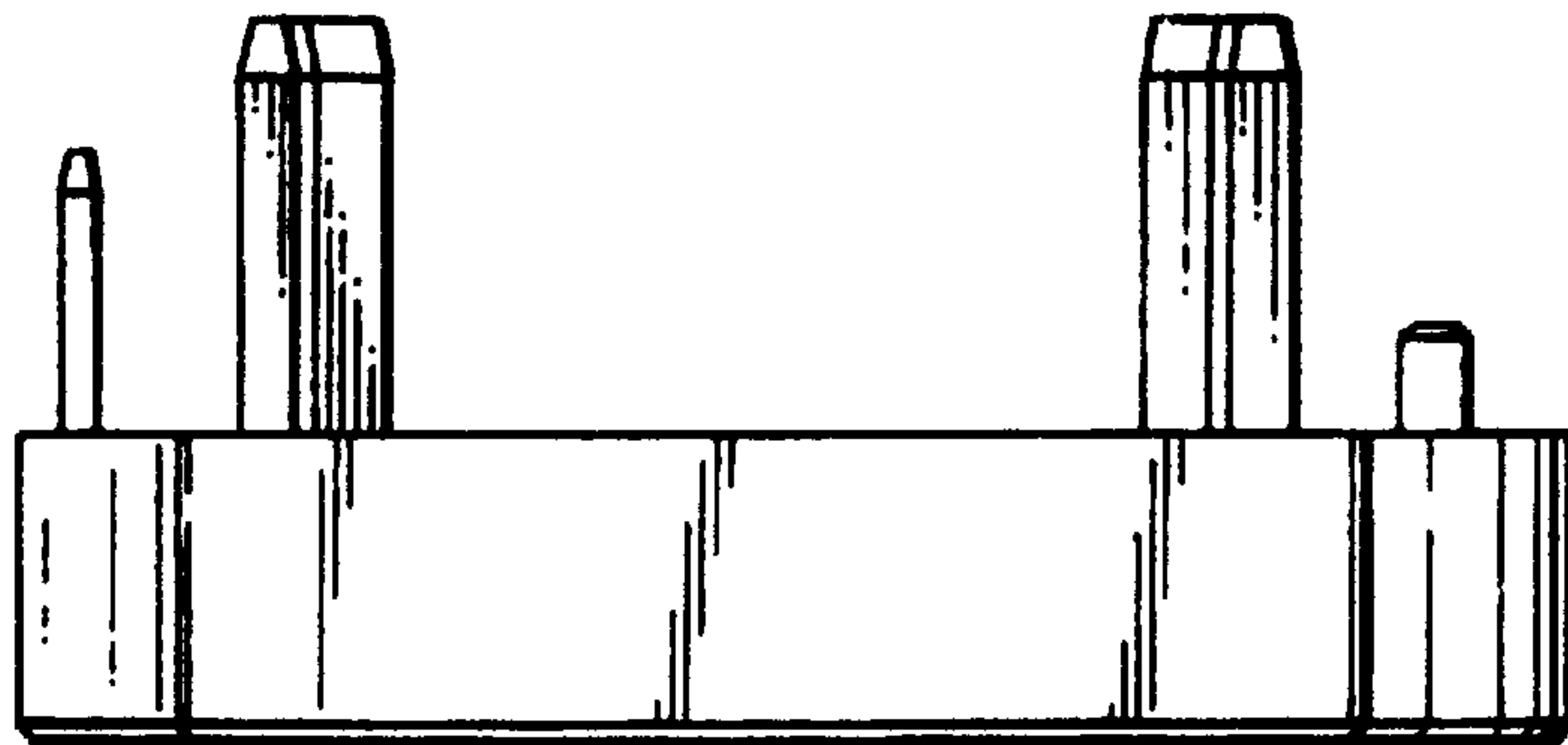


Fig.5.

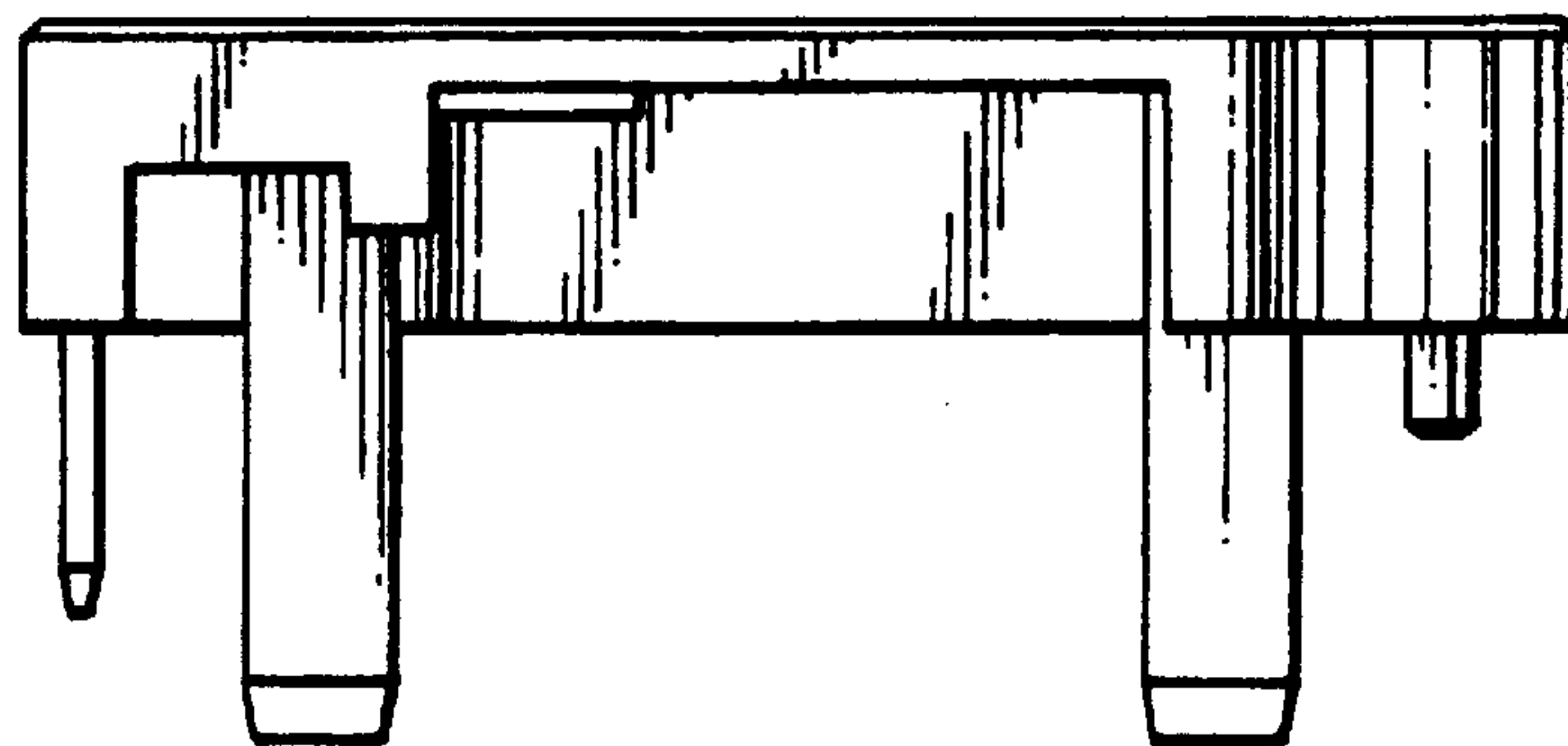


Fig.6.

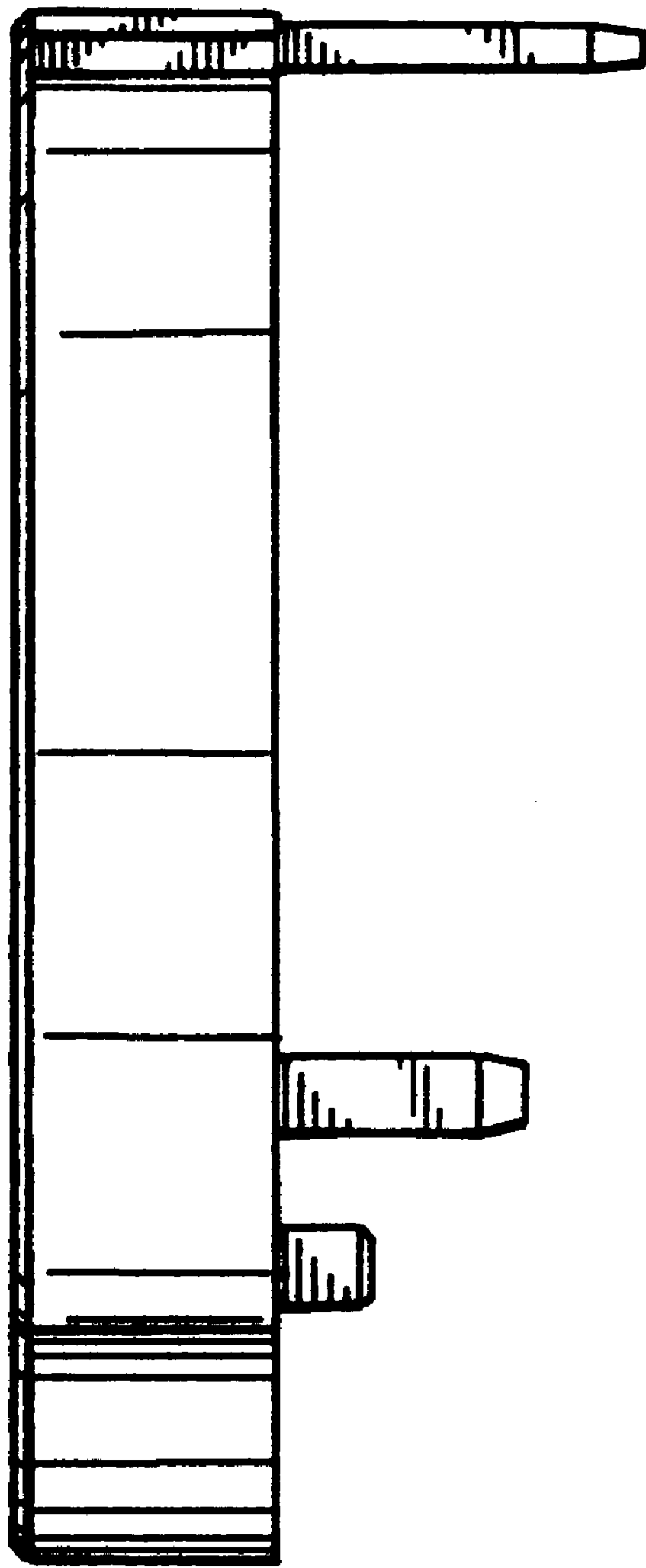


FIG.7.