



US00D440447S

(12) **United States Design Patent**
Horsten

(10) **Patent No.:** **US D440,447 S**

(45) **Date of Patent:** **** Apr. 17, 2001**

(54) **HEADRAIL END CAP FOR COVERINGS FOR ARCHITECTURAL OPENINGS**

D. 349,624 * 8/1994 Fraser et al. D6/580
4,267,875 * 5/1981 Koks 160/176.1

(76) Inventor: **Antonius Johannes Josephus Horsten,**
Muurbloemweg 77, 2555 NC Den Haag
(NL)

* cited by examiner

Primary Examiner—Mitchell Siegel
(74) *Attorney, Agent, or Firm*—Dorsey & Whitney LLP

(**) Term: **14 Years**

(57) **CLAIM**

(21) Appl. No.: **29/118,438**

I claim the ornamental design for a headrail end cap for coverings for architectural openings, as shown.

(22) Filed: **Feb. 7, 2000**

(30) **Foreign Application Priority Data**

DESCRIPTION

Aug. 5, 1999 (XH) DMA/004641

FIG. 1 is an isometric view of the headrail end cap for coverings for architectural openings;
FIG. 2 is a front elevation thereof;
FIG. 3 is a rear elevation thereof;
FIG. 4 is a left side elevation thereof;
FIG. 5 is a top plan view thereof;
FIG. 6 is a bottom plan view thereof; and
FIG. 7 is a right side elevation thereof.

(51) **LOC (7) Cl.** **06-10**

(52) **U.S. Cl.** **D6/580**

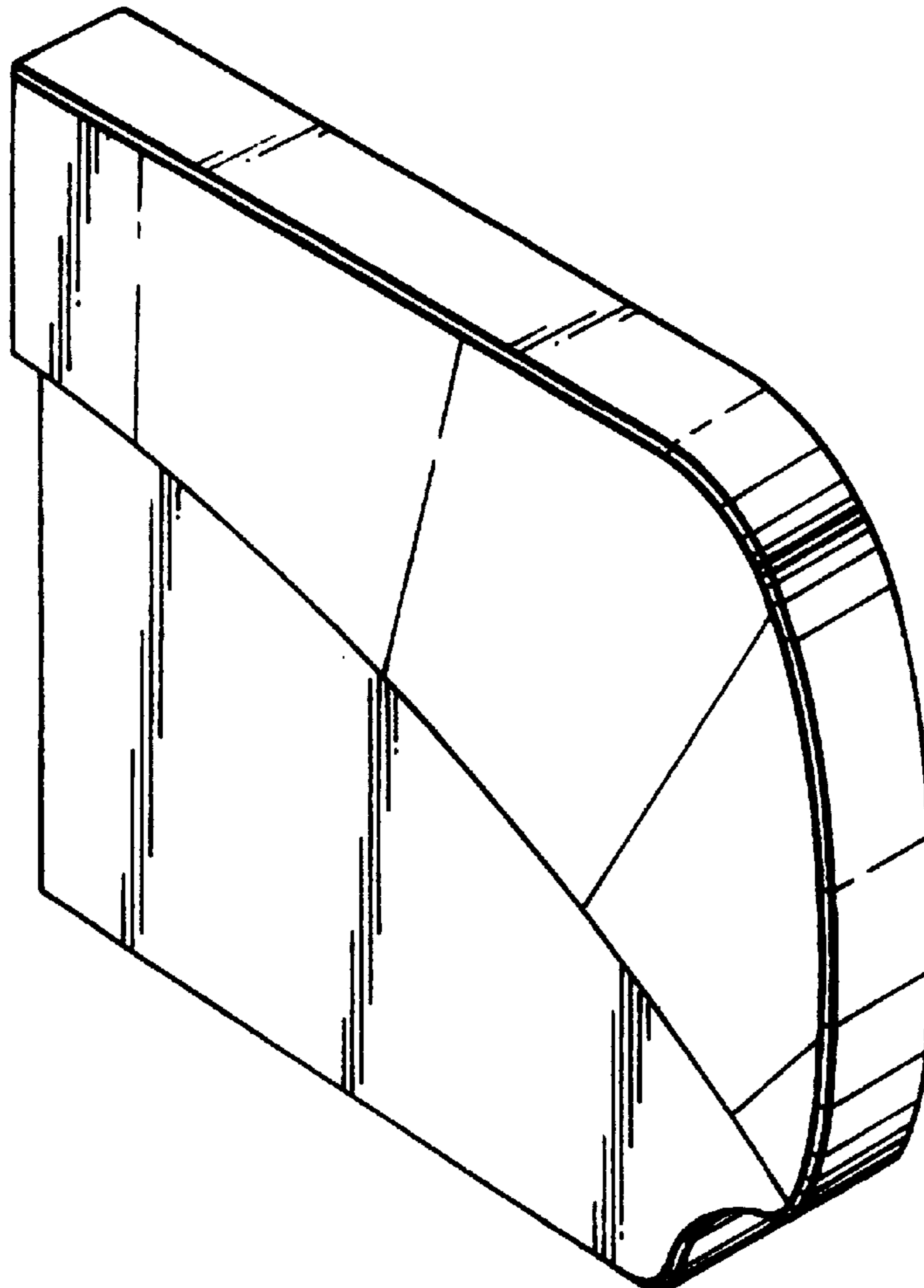
(58) **Field of Search** D6/575, 580; 160/236,
160/178.1, 176.1

(56) **References Cited**

U.S. PATENT DOCUMENTS

D. 333,936 * 3/1993 Van Der Zenden D6/580

1 Claim, 4 Drawing Sheets



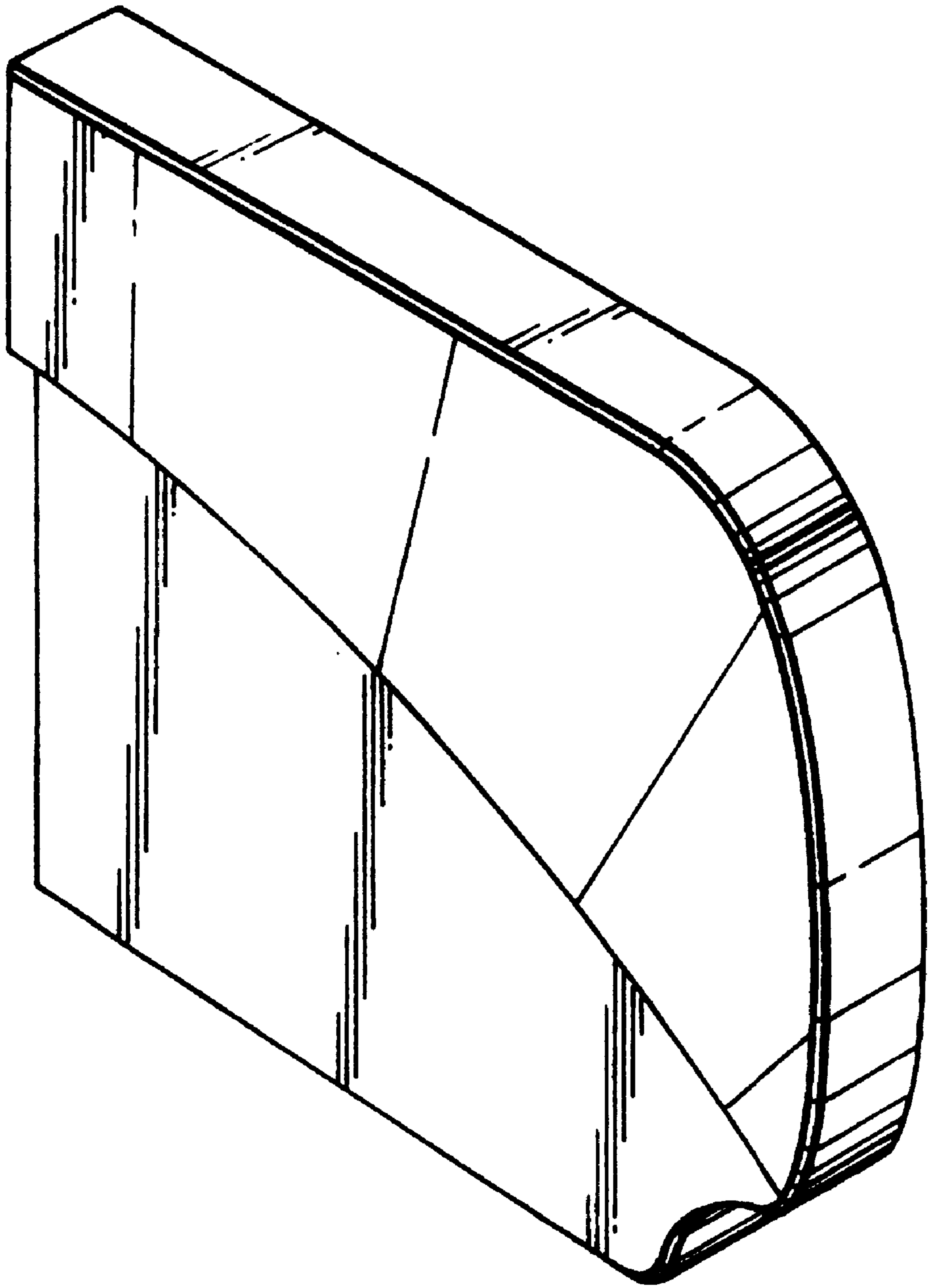


Fig. 1.

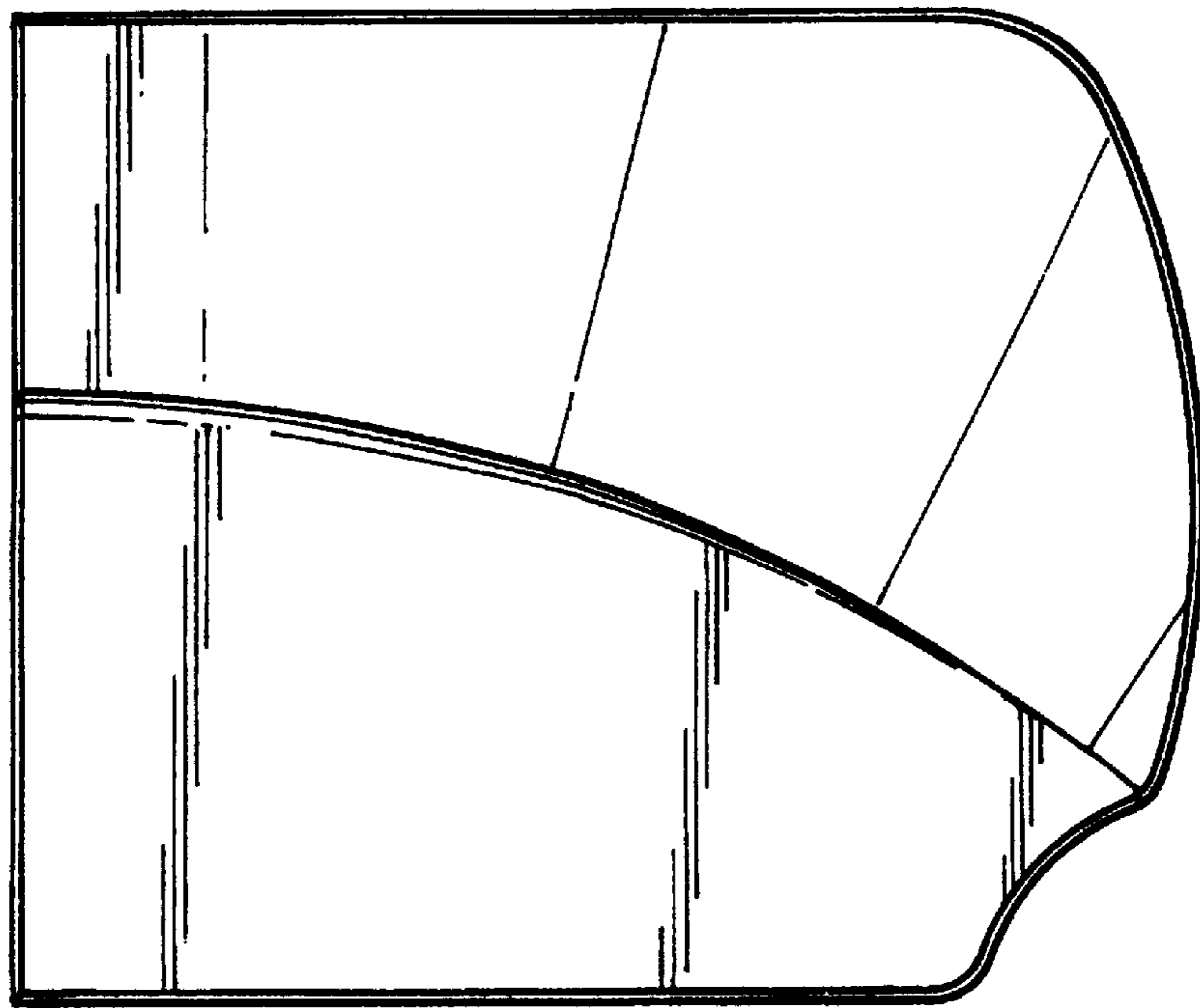


Fig.2.

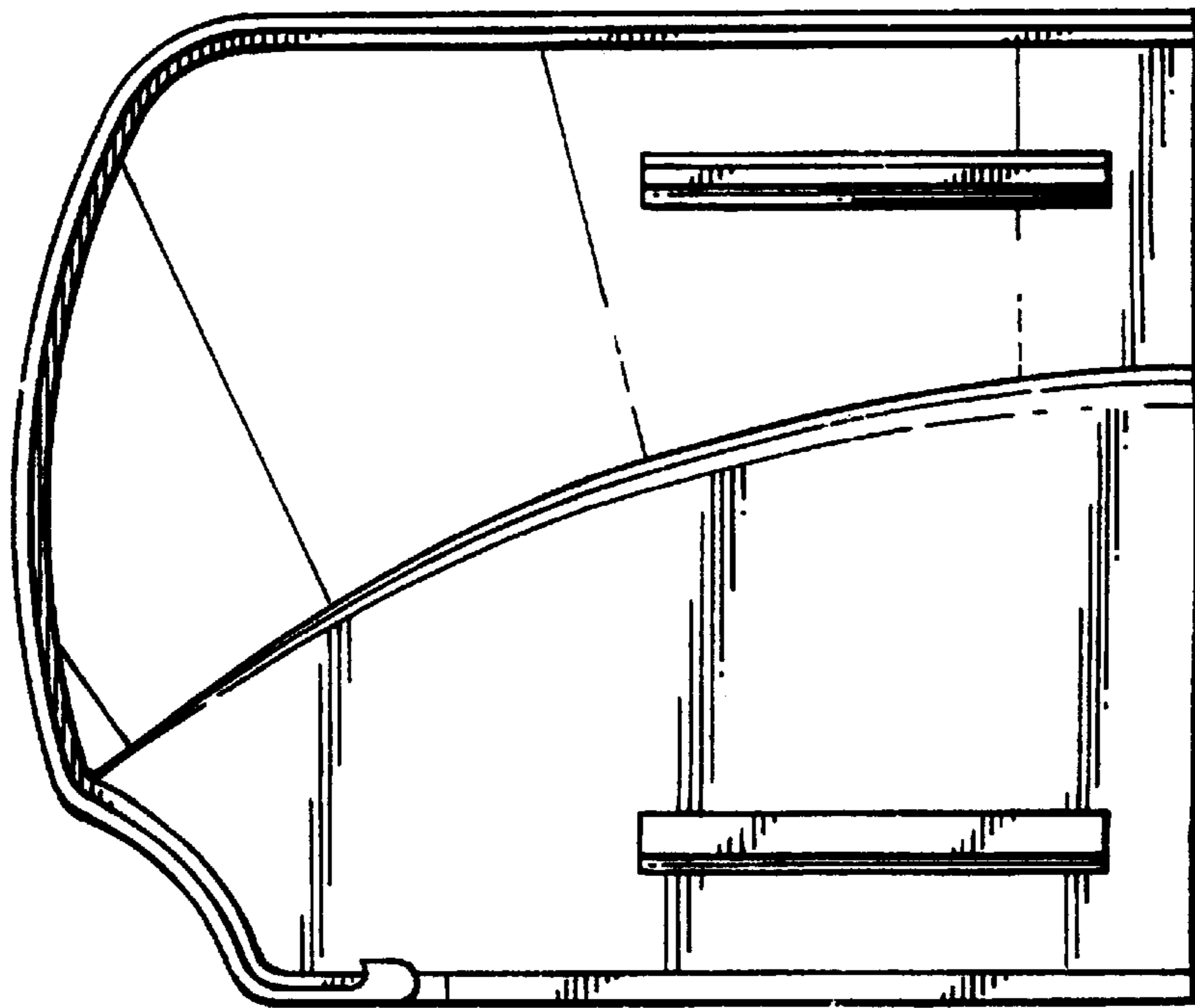


Fig.3.

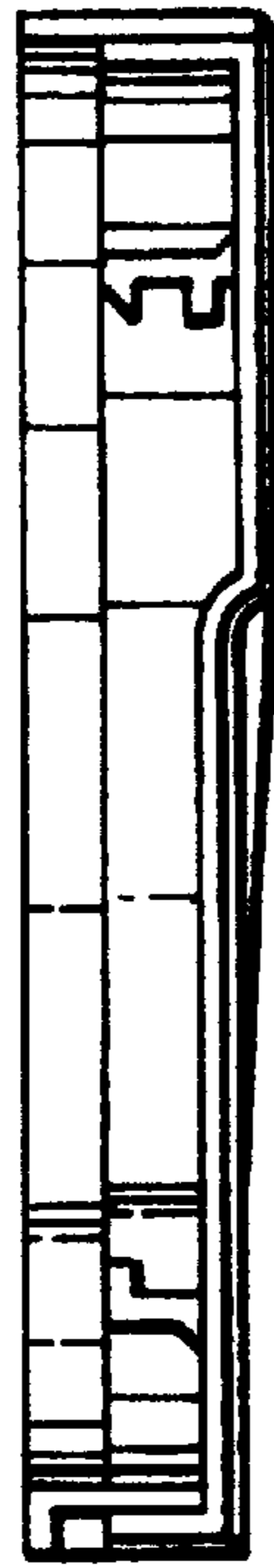


Fig.4.



Fig.5.



Fig.6.

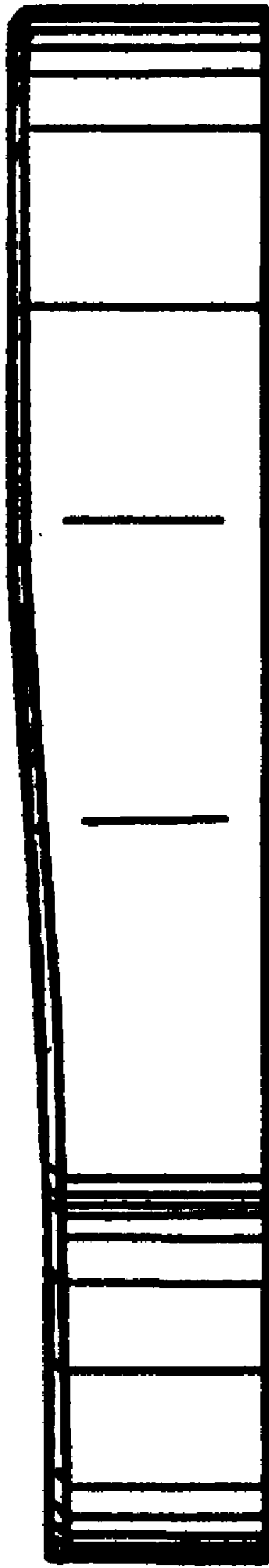


Fig.7.