



US00D440445S

(12) **United States Design Patent**
Fraser

(10) **Patent No.:** **US D440,445 S**

(45) **Date of Patent:** **** Apr. 17, 2001**

(54) **CONNECTOR FOR LIFT CORDS AND TILT ROD OF ARCHITECTURAL COVERINGS**

4,821,789 * 4/1989 Van Rens 160/176.1
5,267,598 * 12/1993 Marocco 160/177
5,341,865 8/1994 Fraser et al. .
6,095,228 * 8/2000 Liu 160/173 R

(75) **Inventor:** **Donald E. Fraser**, Owensboro, KY (US)

* cited by examiner

(73) **Assignee:** **Hunter Douglas Inc.**, Upper Saddle River, NJ (US)

Primary Examiner—Mitchell Siegel

(74) *Attorney, Agent, or Firm*—Dorsey & Whitney LLP

(**) **Term:** **14 Years**

(57) **CLAIM**

(21) **Appl. No.:** **29/115,488**

I claim the ornamental design for a connector for lift cords and tilt rod of architectural coverings, as shown.

(22) **Filed:** **Dec. 15, 1999**

DESCRIPTION

(51) **LOC (7) Cl.** **06-10**

FIG. 1 is an isometric view looking downwardly on the connector of the present invention.

(52) **U.S. Cl.** **D6/580**

FIG. 2 is an isometric looking upwardly at the connector.

(58) **Field of Search** D6/575, 577, 580; 160/177, 176.1, 173 R, 174, 168.1, 178.1

FIG. 3 is a front elevation.

FIG. 4 is a bottom plan view.

FIG. 5 is a right side elevation.

FIG. 6 is a top plan view; and,

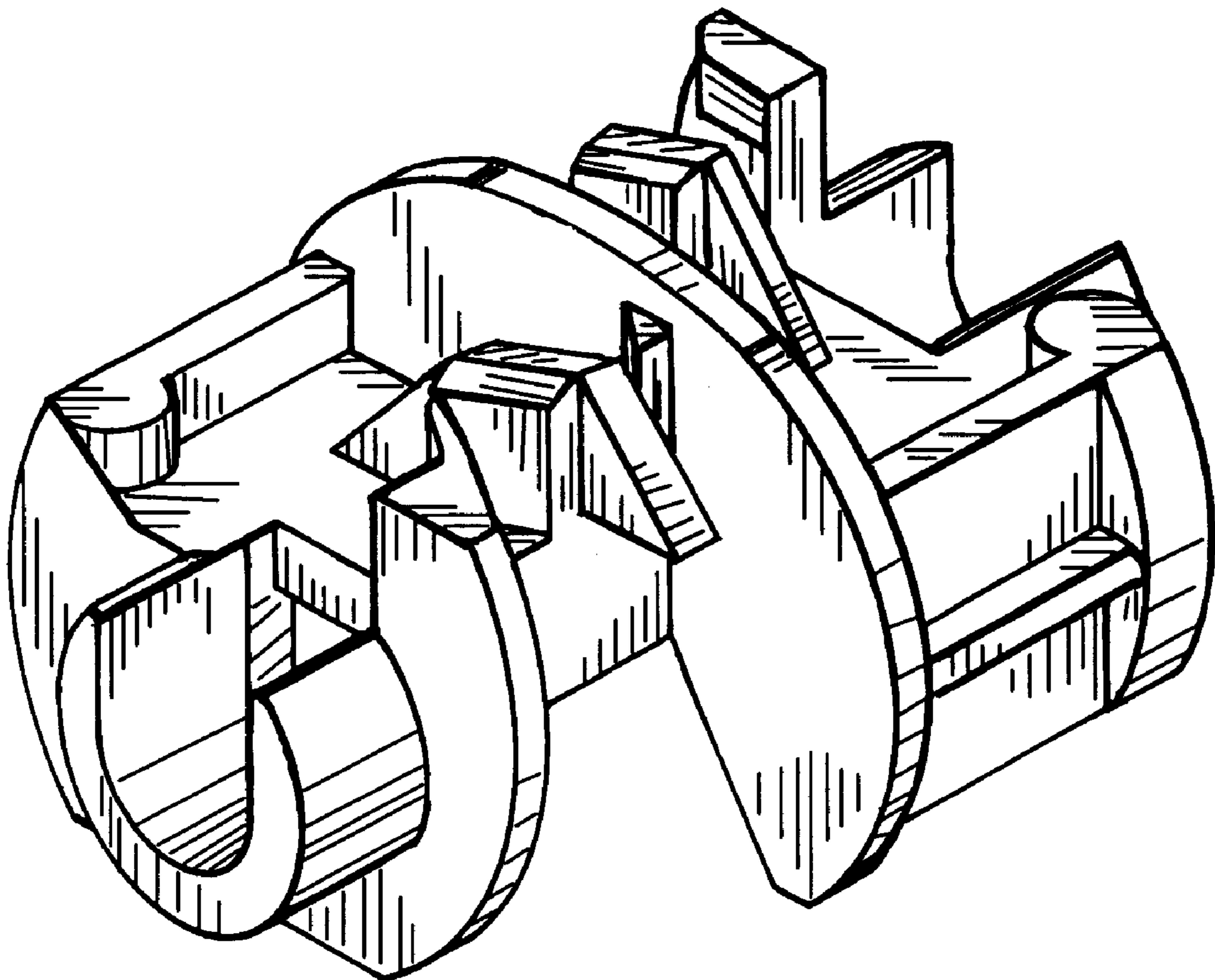
FIG. 7 is a left side elevation.

(56) **References Cited**

U.S. PATENT DOCUMENTS

D. 346,929 * 5/1994 Fraser D6/580
D. 357,380 * 4/1995 Fraser D6/580
4,697,629 * 10/1987 Anderson 160/177

1 Claim, 3 Drawing Sheets



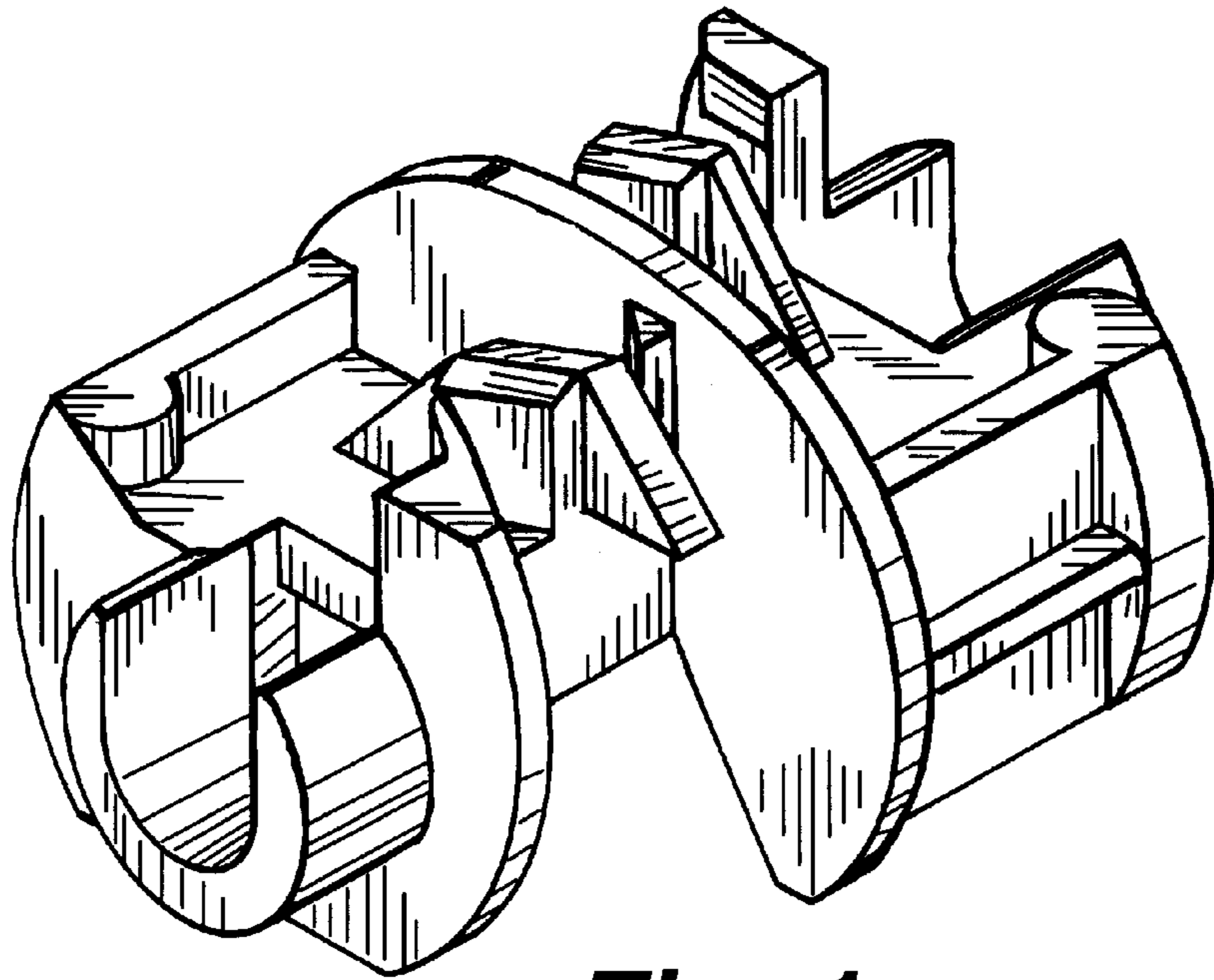


Fig. 1

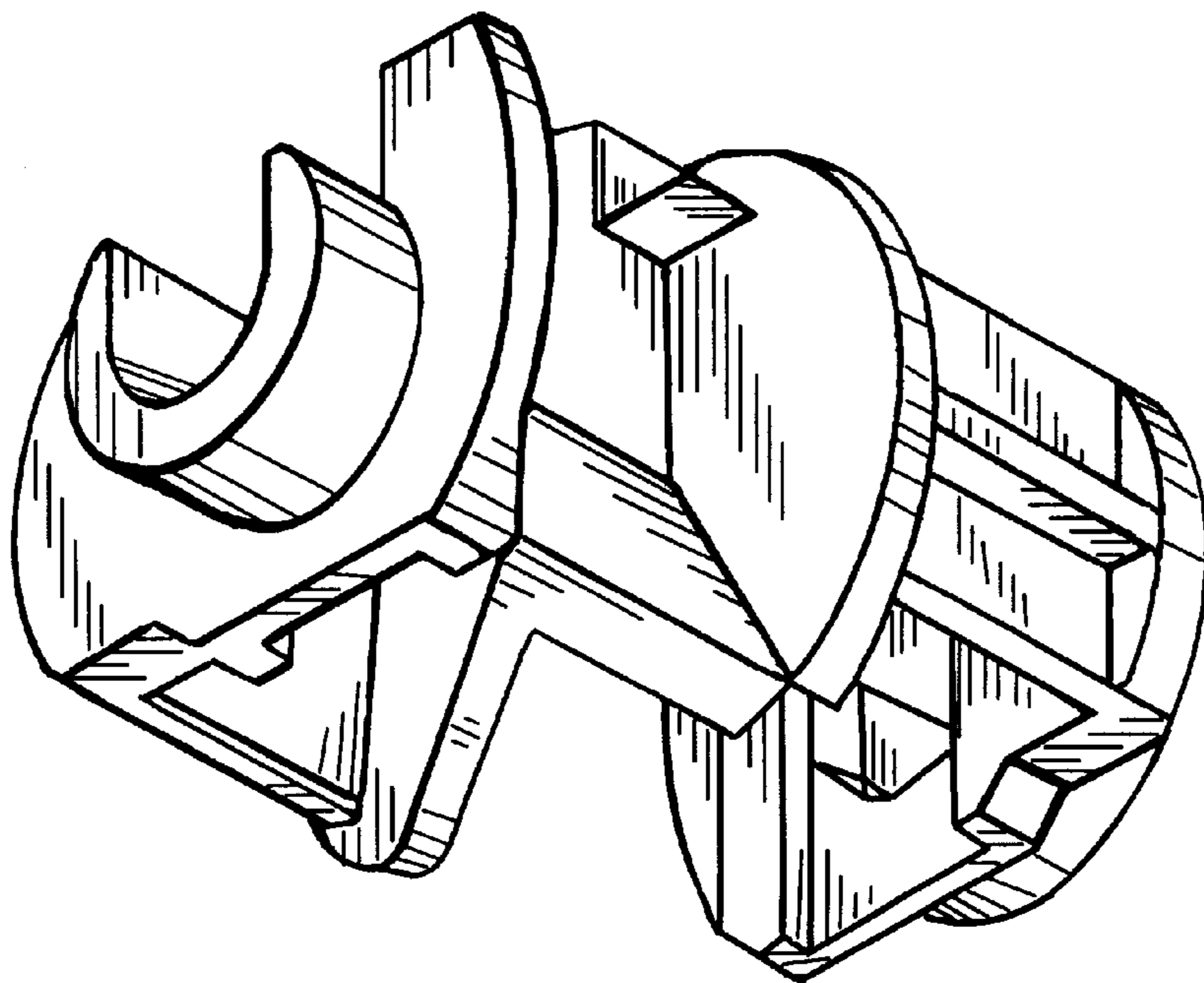


Fig. 2

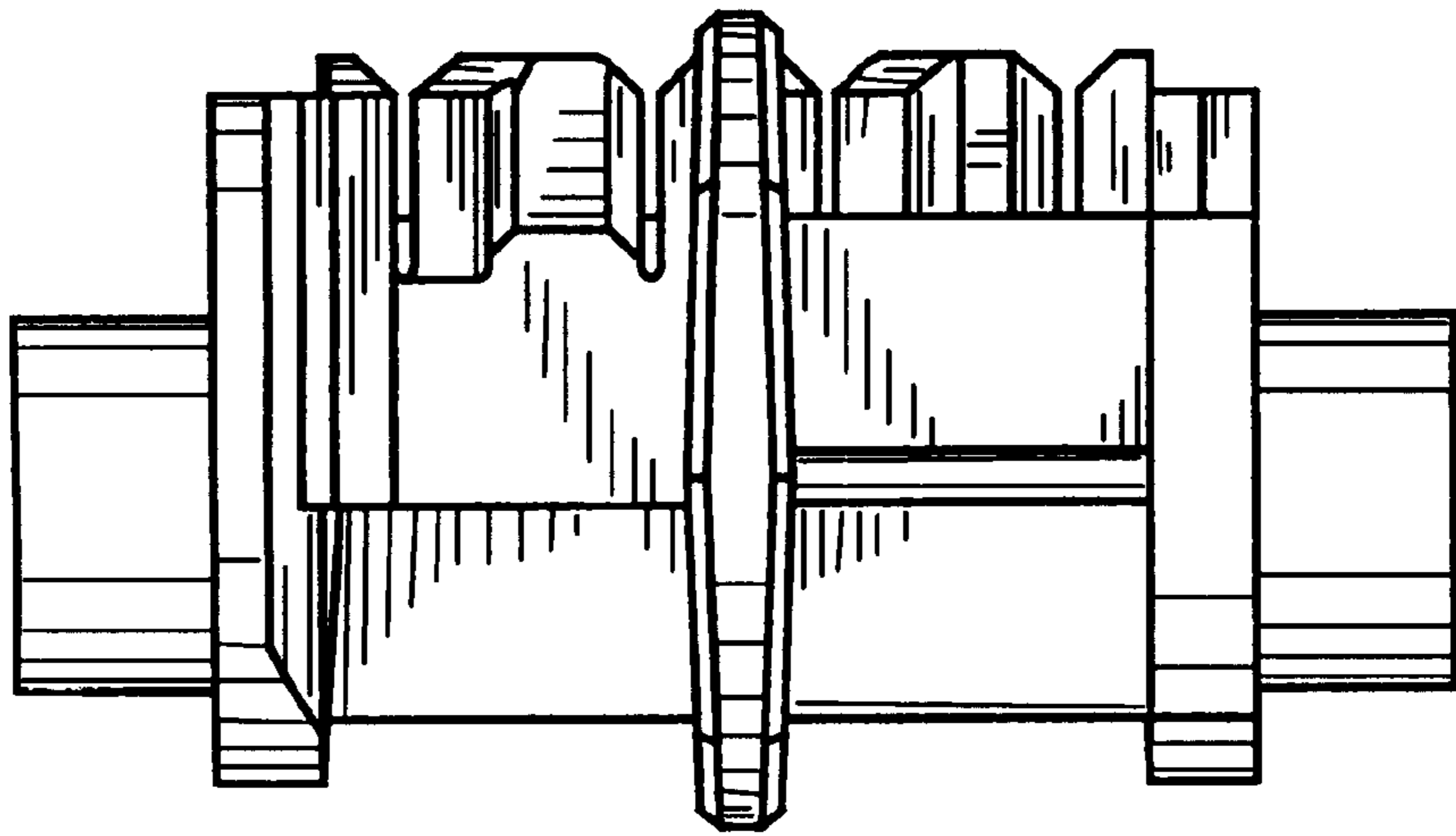


Fig. 3

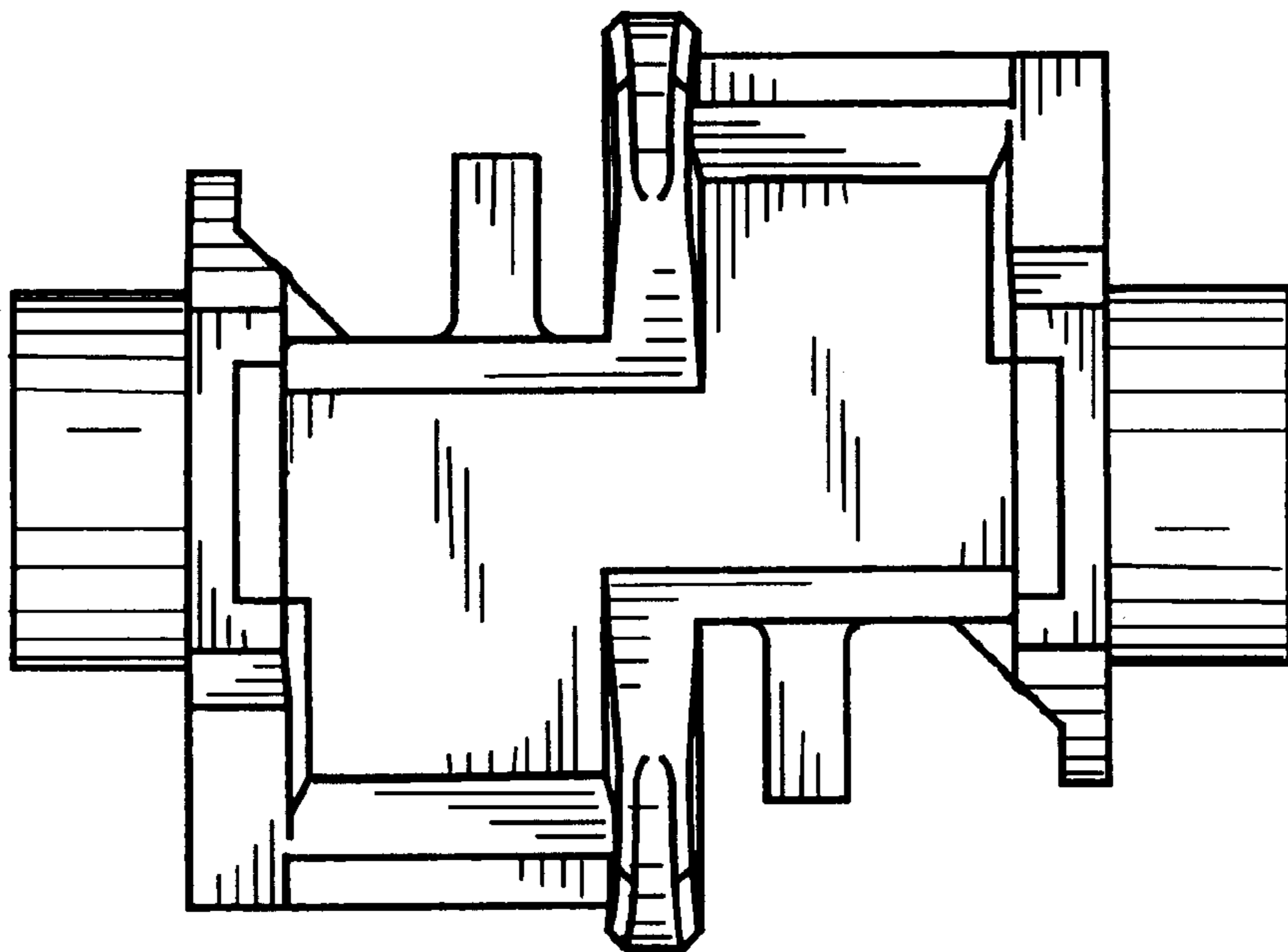


Fig. 4

Fig. 5

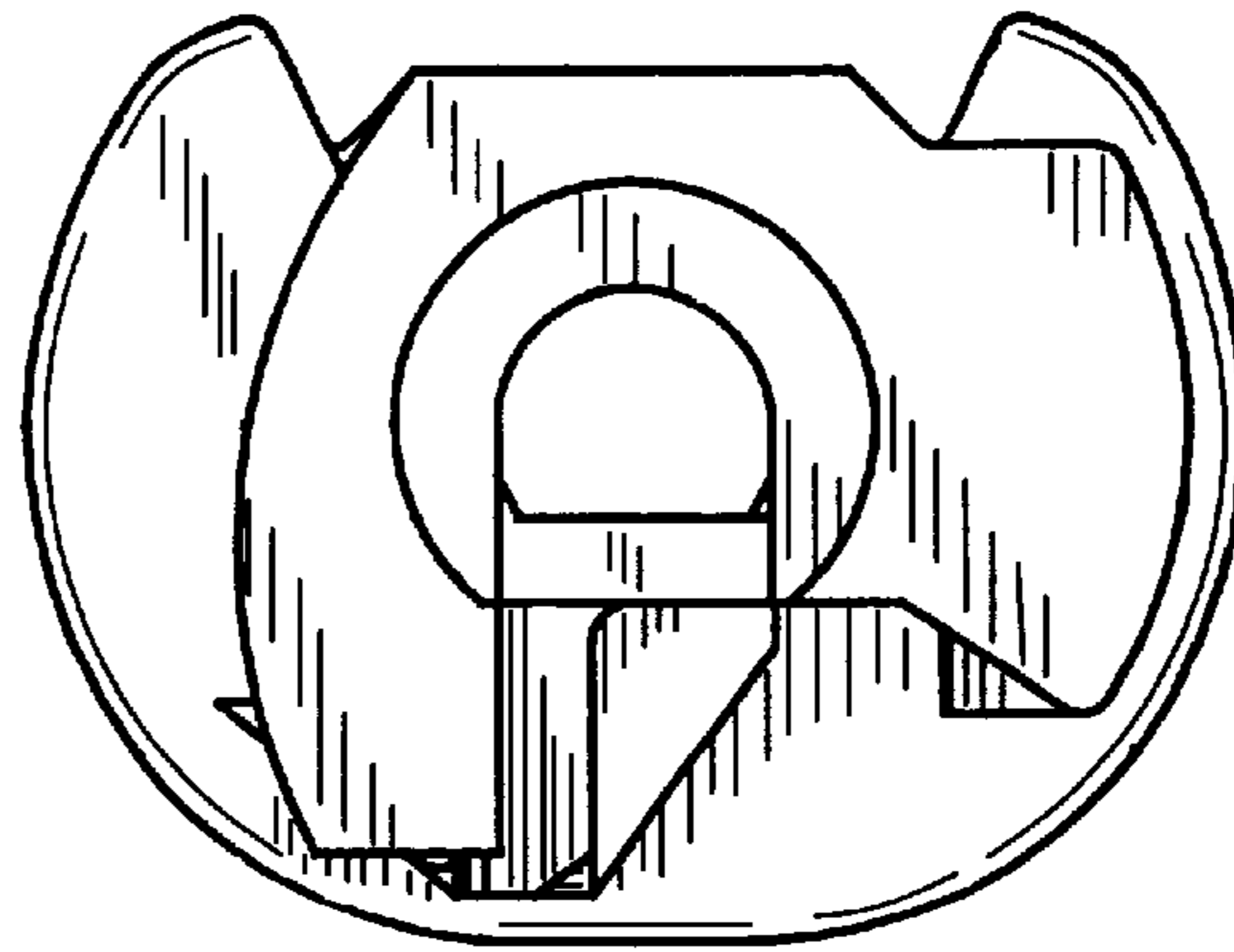


Fig. 6

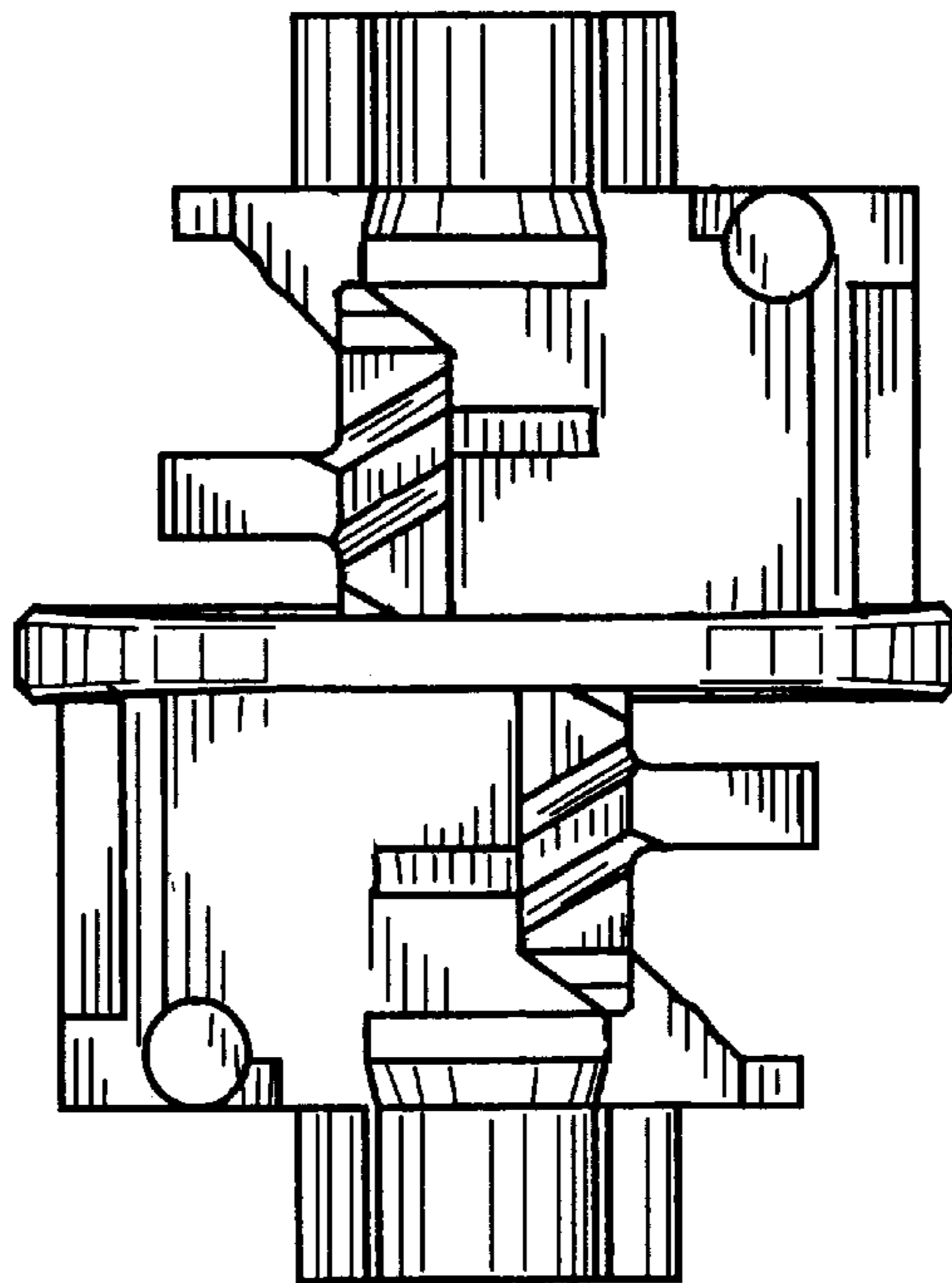


Fig. 7

