



US00D440444S

(12) **United States Design Patent**
Sonnenberg et al.

(10) **Patent No.:** **US D440,444 S**

(45) **Date of Patent:** **** Apr. 17, 2001**

(54) **EXTENDED HEADRAIL**

(75) Inventors: **Marko Sonnenberg**, Vastra Frolunda;
Jovo Ilic, Alingsas, both of (SE)

(73) Assignee: **Turnils AB**, Alingsas (SE)

(**) Term: **14 Years**

(21) Appl. No.: **29/101,008**

(22) Filed: **Feb. 22, 1999**

(51) **LOC (7) Cl.** **06-10**

(52) **U.S. Cl.** **D6/580**

(58) **Field of Search** D6/575, 577, 580;
D8/376, 377; 160/177, 178.1, 236, 38,
39, 310

(56) **References Cited**

U.S. PATENT DOCUMENTS

- D. 231,326 * 4/1974 Miki D8/377
- D. 345,498 3/1994 Fraser et al. .
- D. 355,093 2/1995 Morris .

- D. 355,094 * 2/1995 Josephson D6/580
- D. 361,010 * 8/1995 Hebsgaard D6/580
- D. 385,449 10/1997 Morris .
- D. 403,910 * 1/1999 Anderson D6/580

* cited by examiner

Primary Examiner—Mitchell Siegel

(74) *Attorney, Agent, or Firm*—Dorsey & Whitney LLP

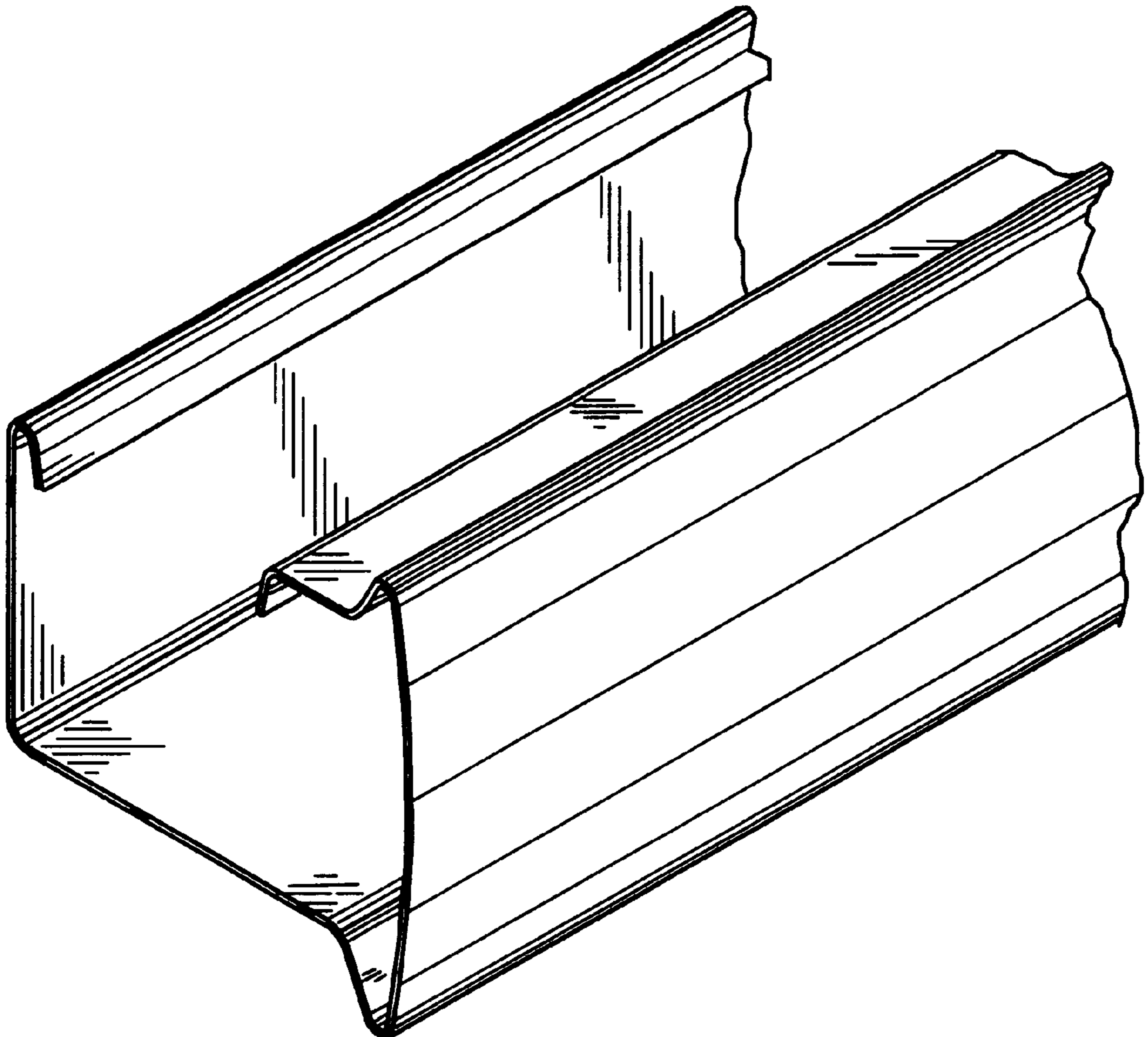
(57) **CLAIM**

We claim the ornamental design for an extended headrail, as shown and described.

DESCRIPTION

FIG. 1 is a fragmentary isometric view of our new design; FIG. 2 is a fragmentary front view thereof; FIG. 3 is a left side view thereof, the right side view being a mirror image thereof; FIG. 4 is a fragmentary top plan view thereof; FIG. 5 is a fragmentary rear view thereof; and, FIG. 6 is a fragmentary bottom plan view thereof.

1 Claim, 2 Drawing Sheets



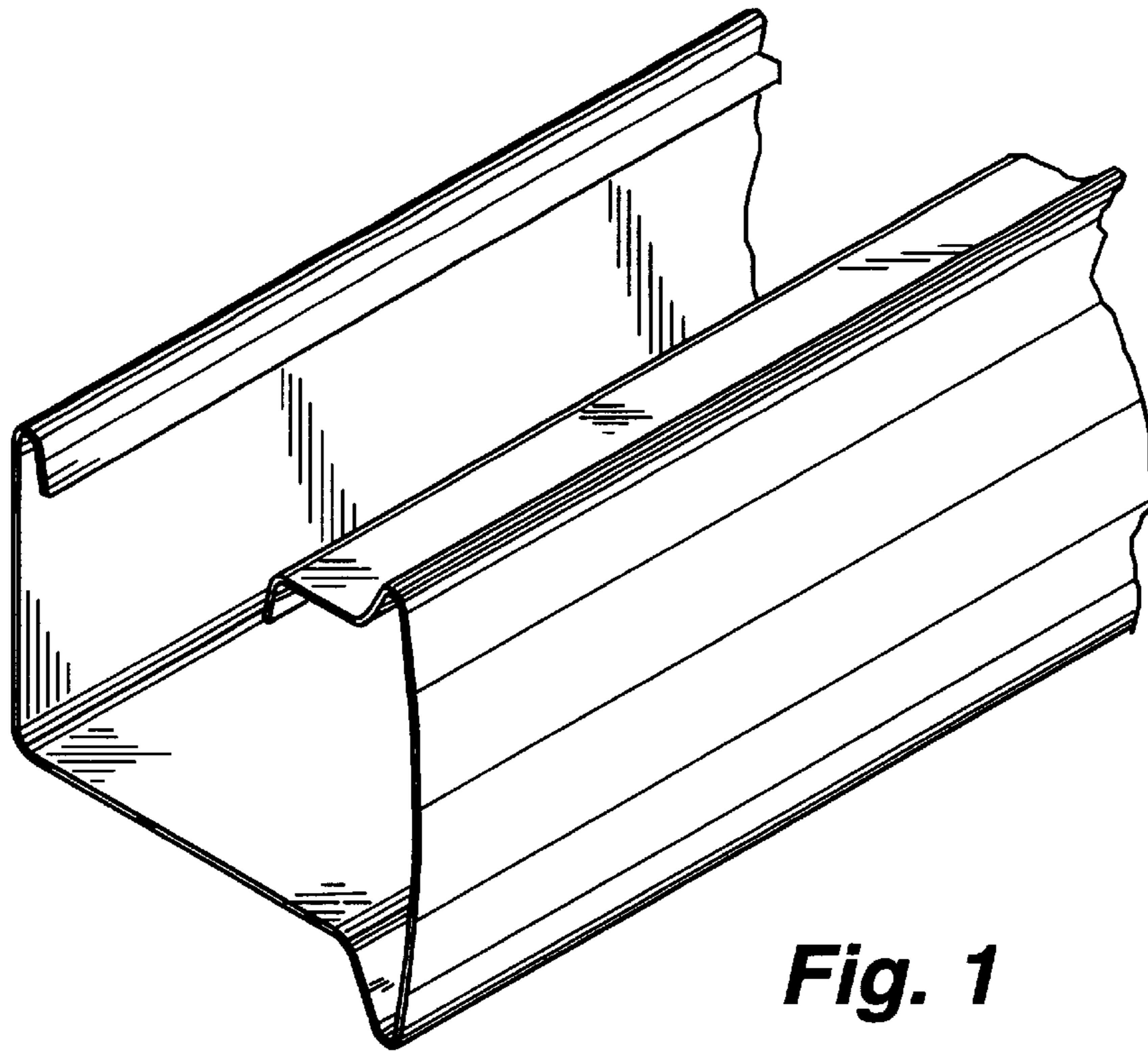


Fig. 1

Fig. 2

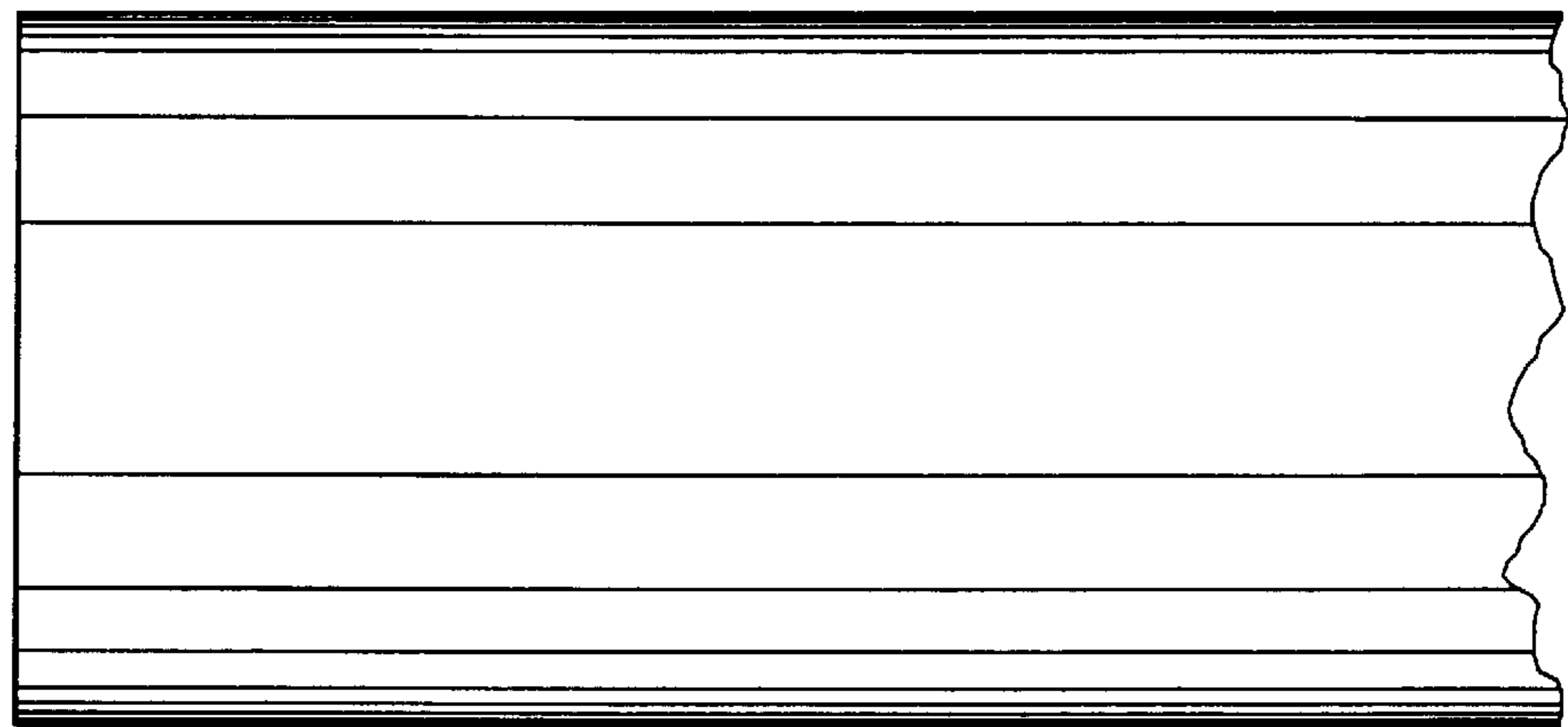
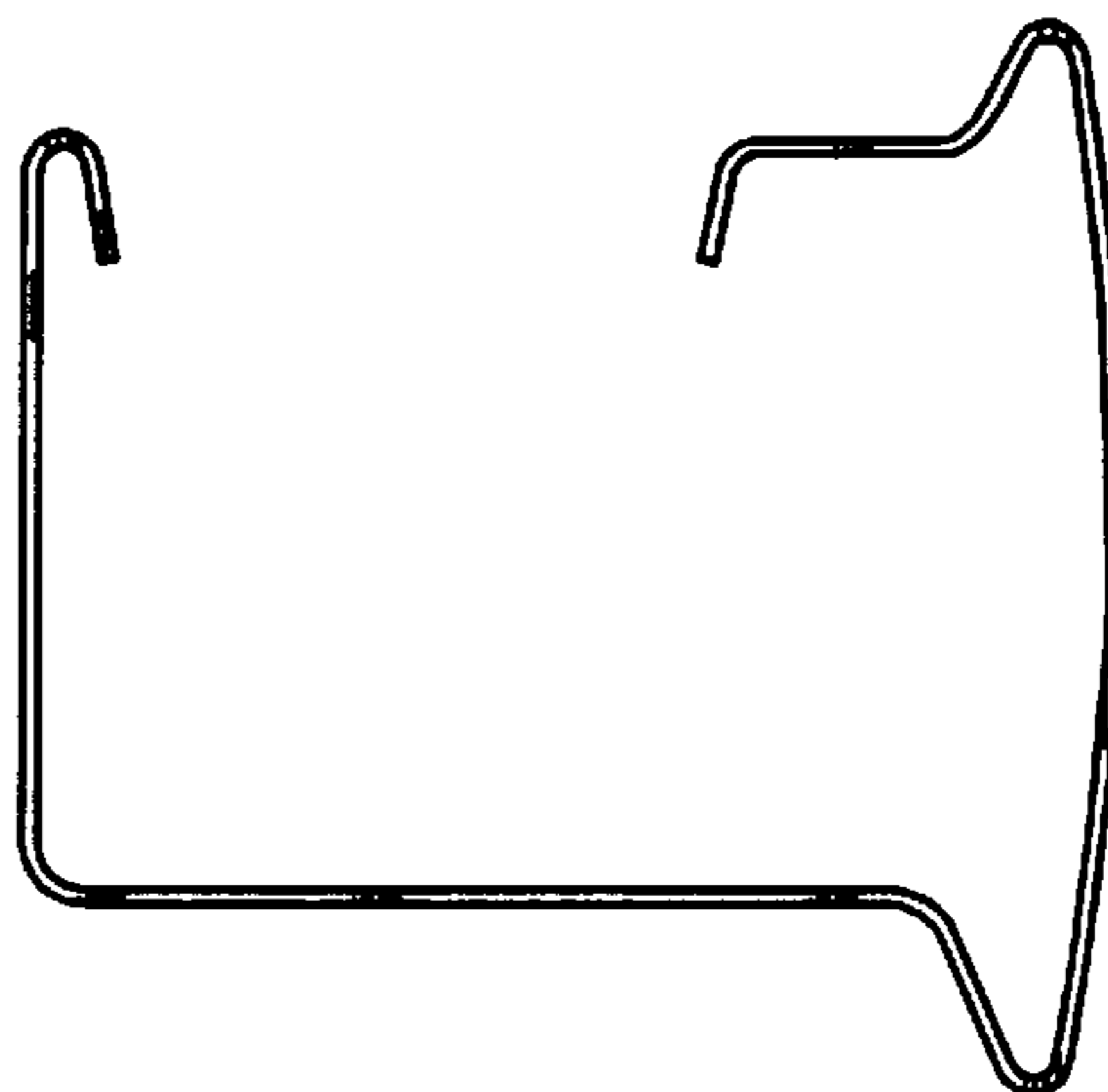


Fig. 3



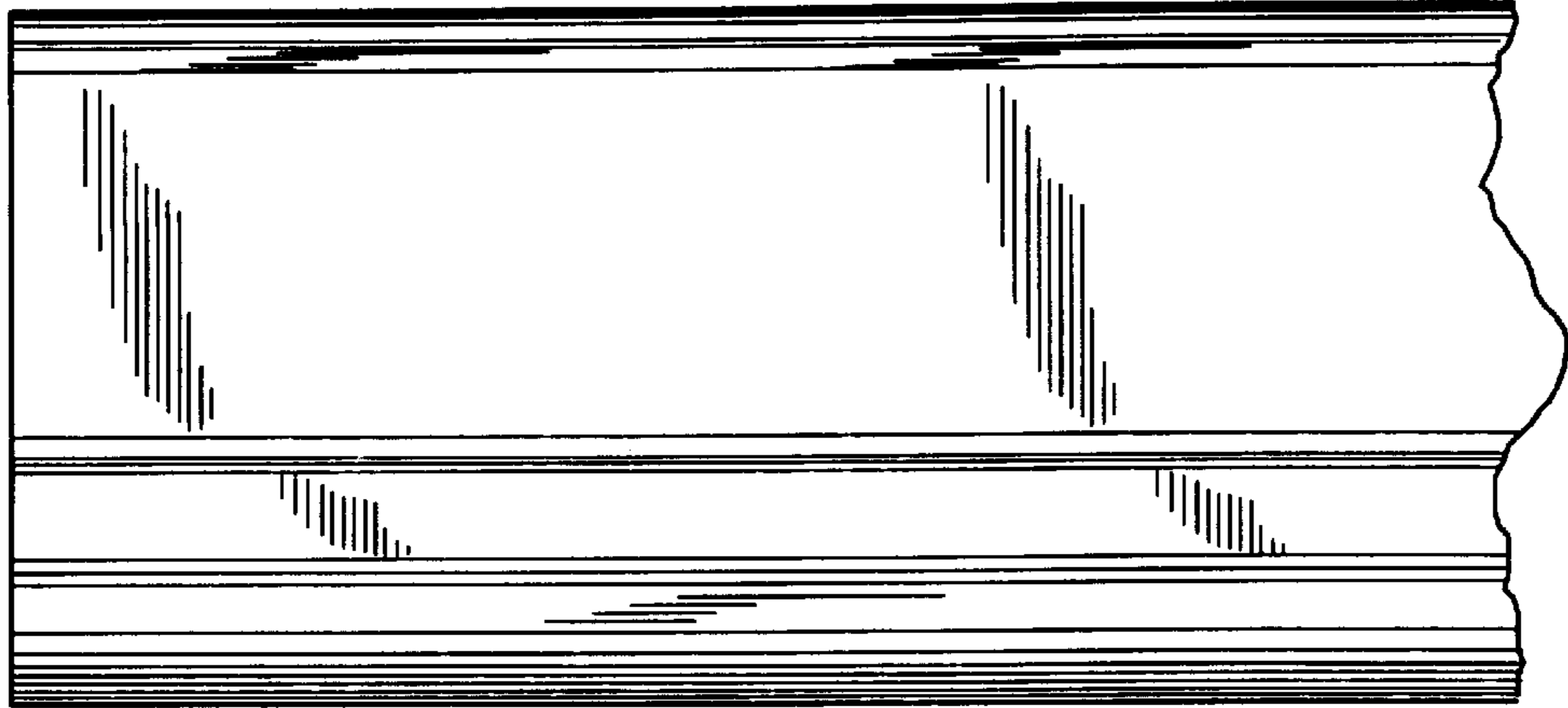


Fig. 4

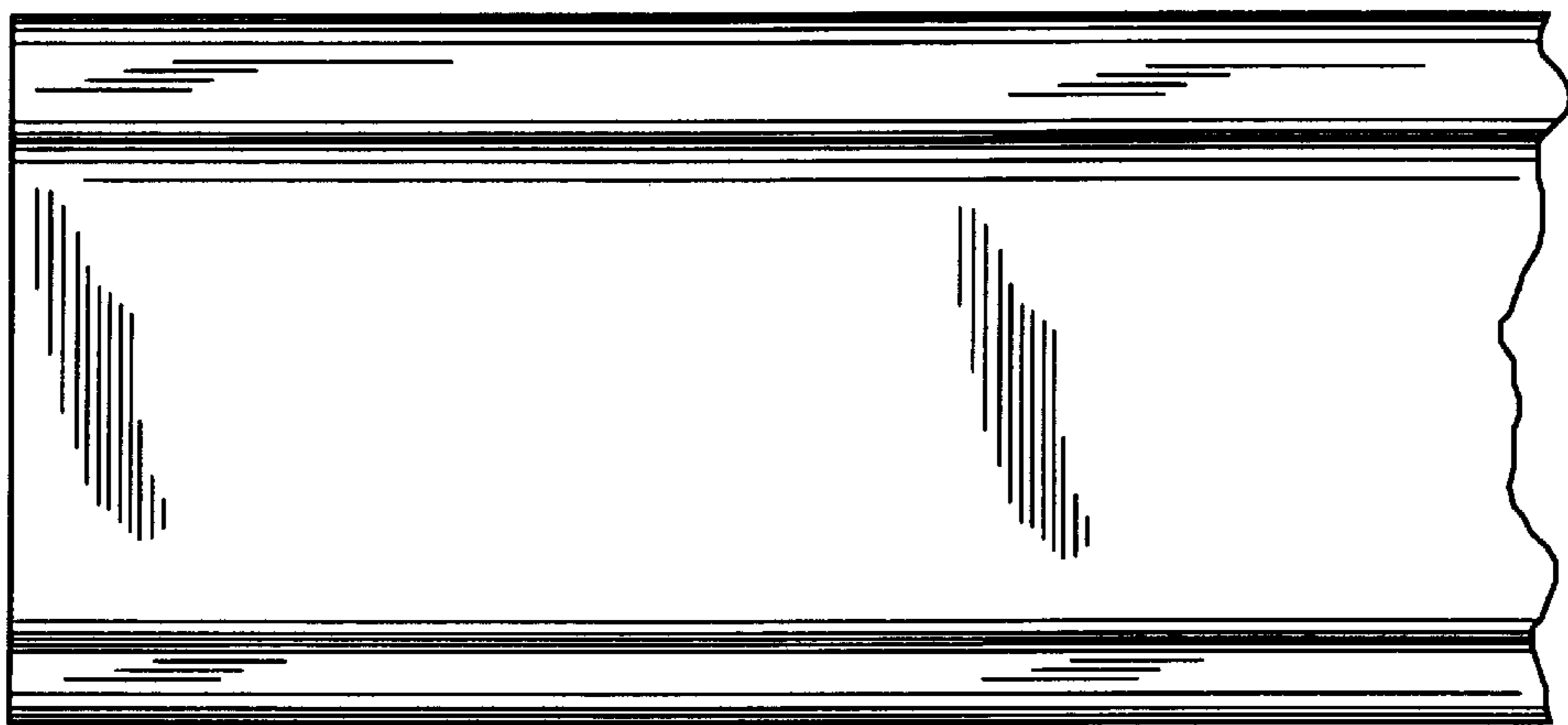


Fig. 5

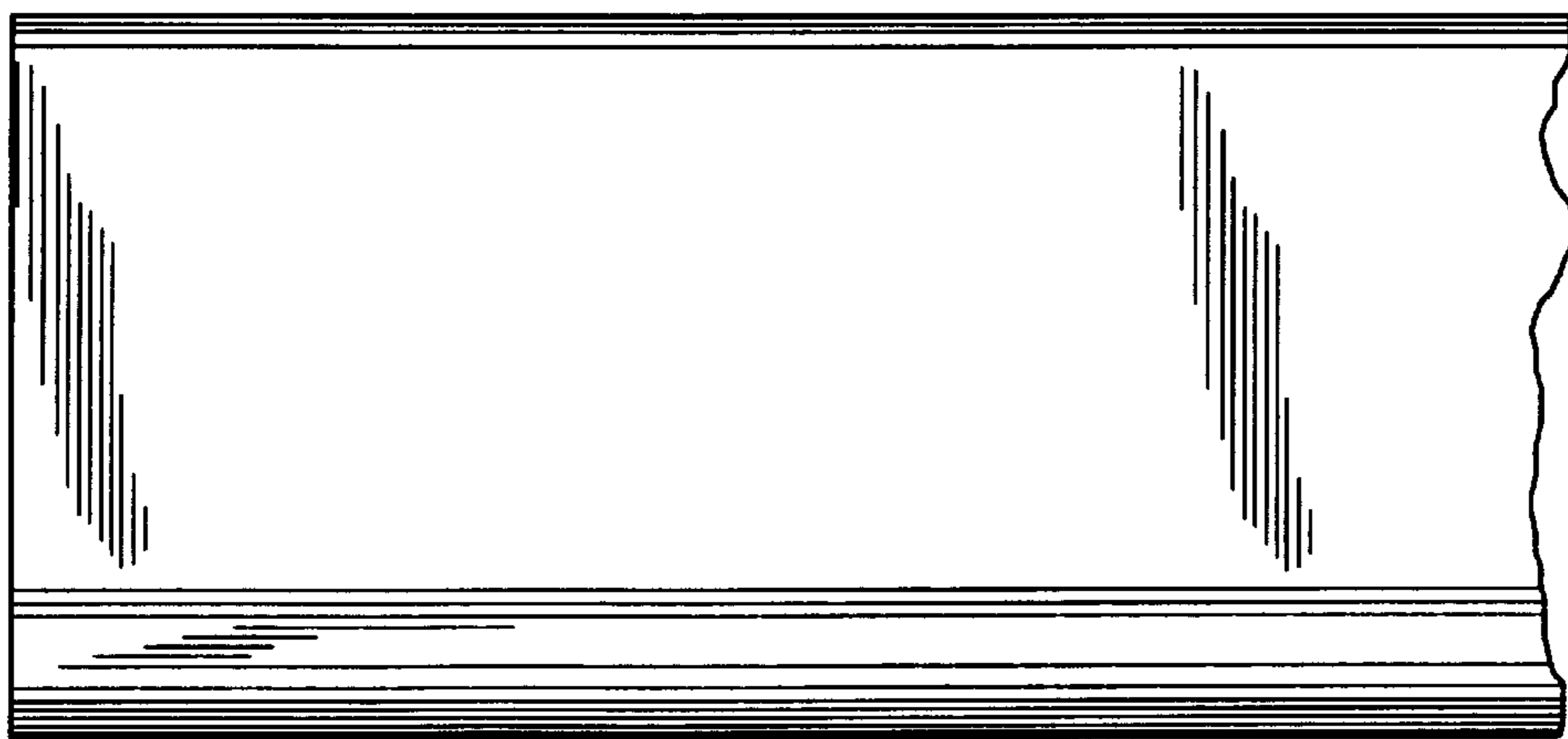


Fig. 6