



US00D440442S

(12) **United States Design Patent**  
**Koranda**

(10) **Patent No.:** **US D440,442 S**

(45) **Date of Patent:** **\*\* Apr. 17, 2001**

(54) **EYEGLASS HOLDER**

4,844,400 \* 7/1989 Jasmagy, Jr. .... 248/311.2  
5,046,696 \* 9/1991 Lee ..... 248/309.1

(76) Inventor: **Edward J. Koranda**, 2360 N. Five  
Mile Rd., Boise, ID (US) 83713

\* cited by examiner

(\*\*) Term: **14 Years**

*Primary Examiner*—Brian N. Vinson

(74) *Attorney, Agent, or Firm*—Stephen M. Nipper; Frank  
J. Dykas; Robert L. Shaver

(21) Appl. No.: **29/125,063**

(22) Filed: **Jun. 14, 2000**

(57) **CLAIM**

(51) **LOC (7) Cl.** ..... **06-04**

The ornamental design for an eyeglass holder, as shown and  
described.

(52) **U.S. Cl.** ..... **D6/553**

(58) **Field of Search** ..... D6/553, 567, 556;  
206/5, 6; 211/13.1, 85.1, 86.01, 87.01;  
248/309.1, 311.2, 314

**DESCRIPTION**

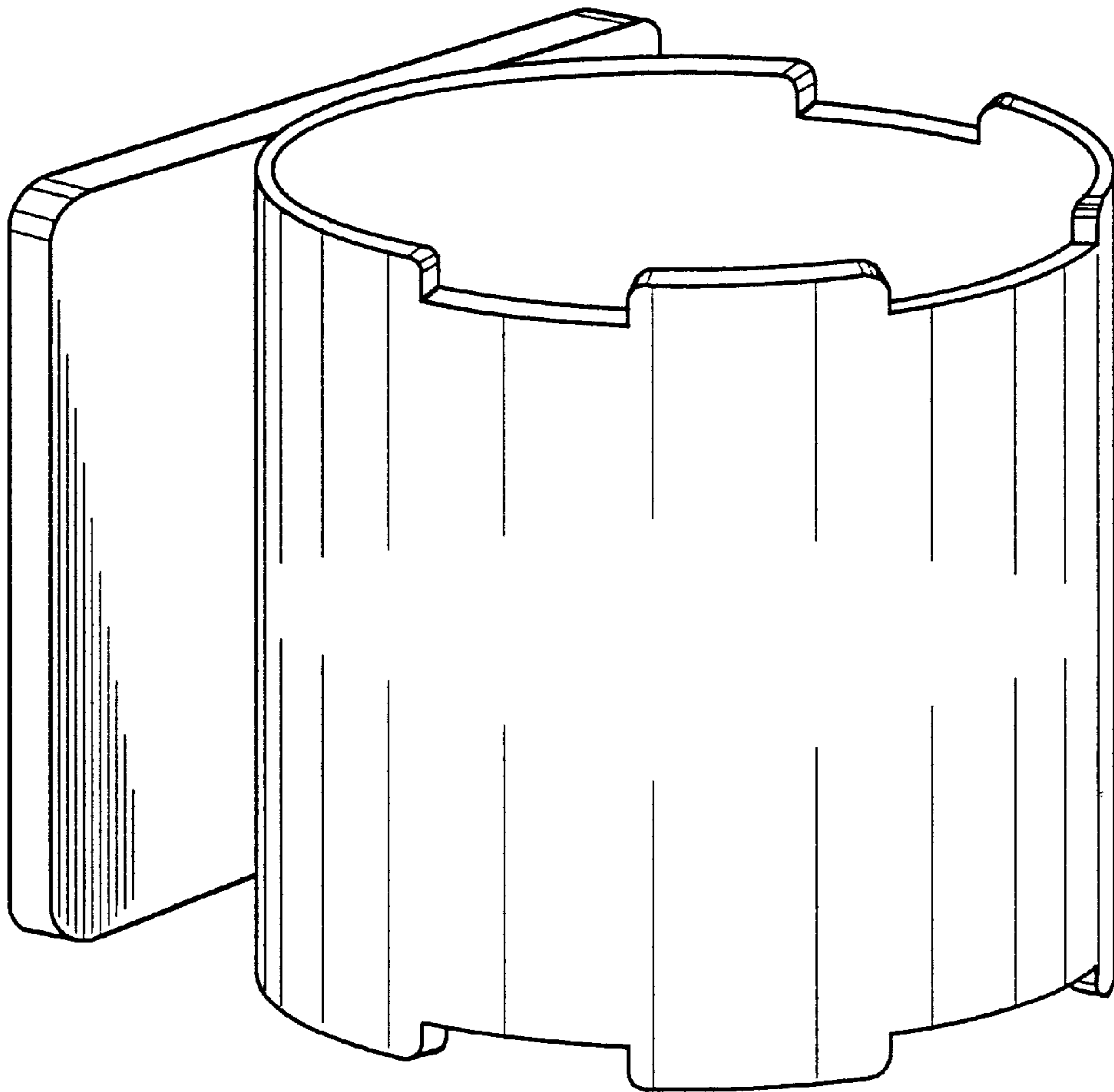
(56) **References Cited**

FIG. 1 is a perspective view of the eyeglass holder;  
FIG. 2 is a first side view, of the eyeglass holder;  
FIG. 3 is a front view of the eyeglass holder;  
FIG. 4 is a second side view of the eyeglass holder;  
FIG. 5 is a rear view of the eyeglass holder;  
FIG. 6 is a top view of the eyeglass holder; and,  
FIG. 7 is a bottom view of the eyeglass holder.

**U.S. PATENT DOCUMENTS**

- D. 282,704 \* 2/1986 Burnett ..... D6/553 X
- D. 361,461 \* 8/1995 Linzenbold ..... D6/556
- D. 364,770 \* 12/1995 Stiles ..... D6/567
- D. 402,144 \* 12/1998 Weirich ..... D6/553 X

**1 Claim, 7 Drawing Sheets**



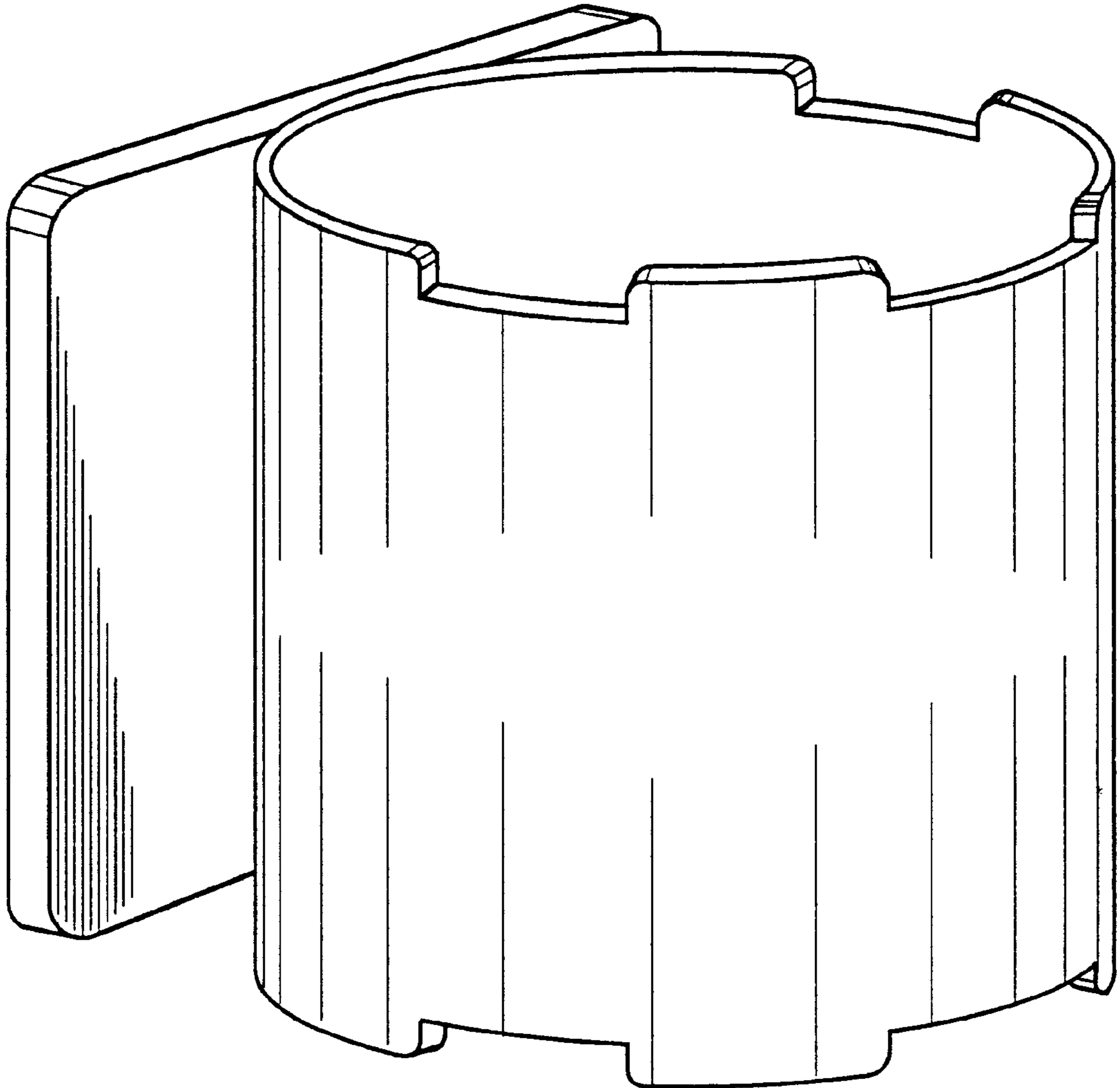


FIG. 1

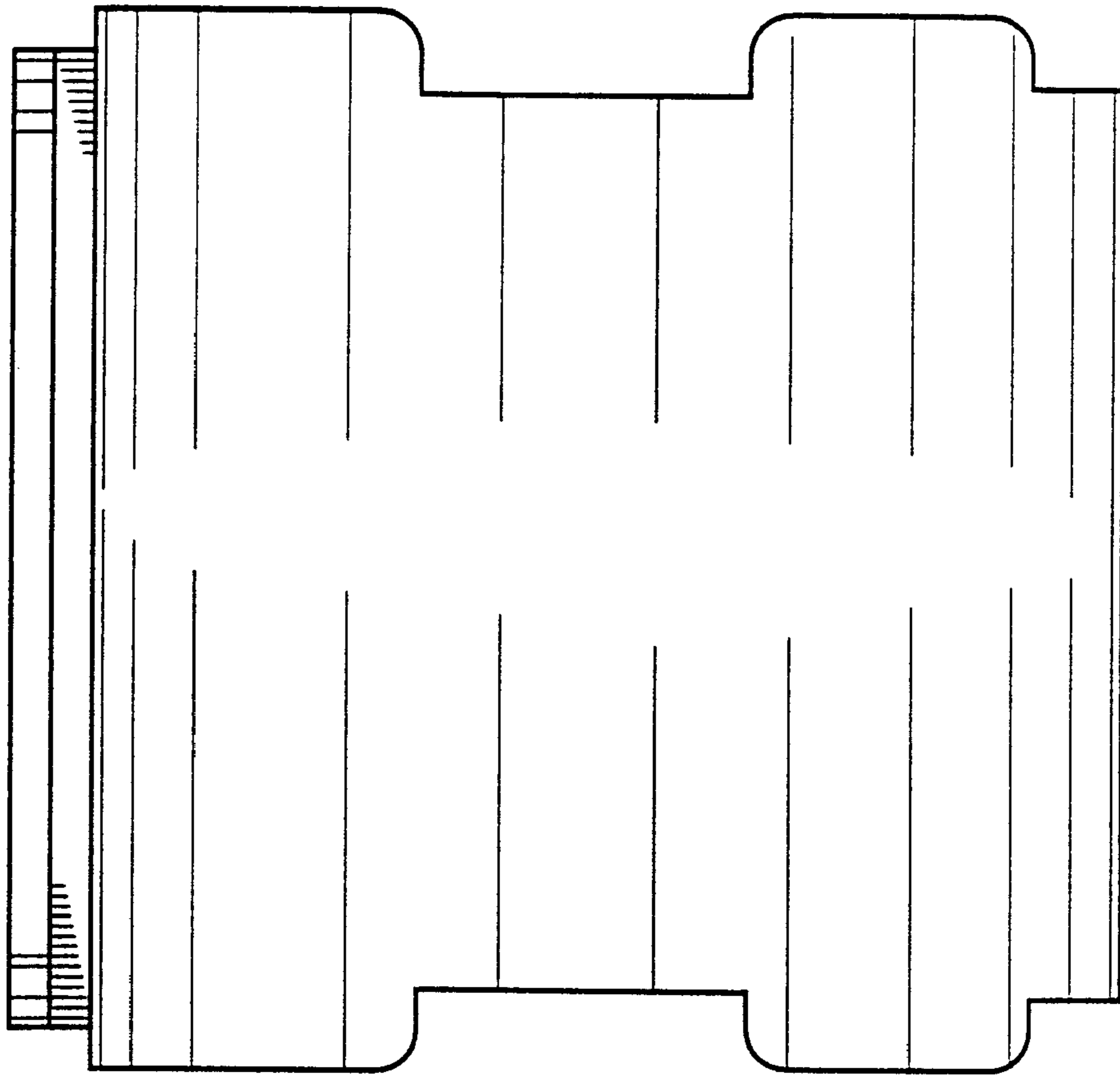
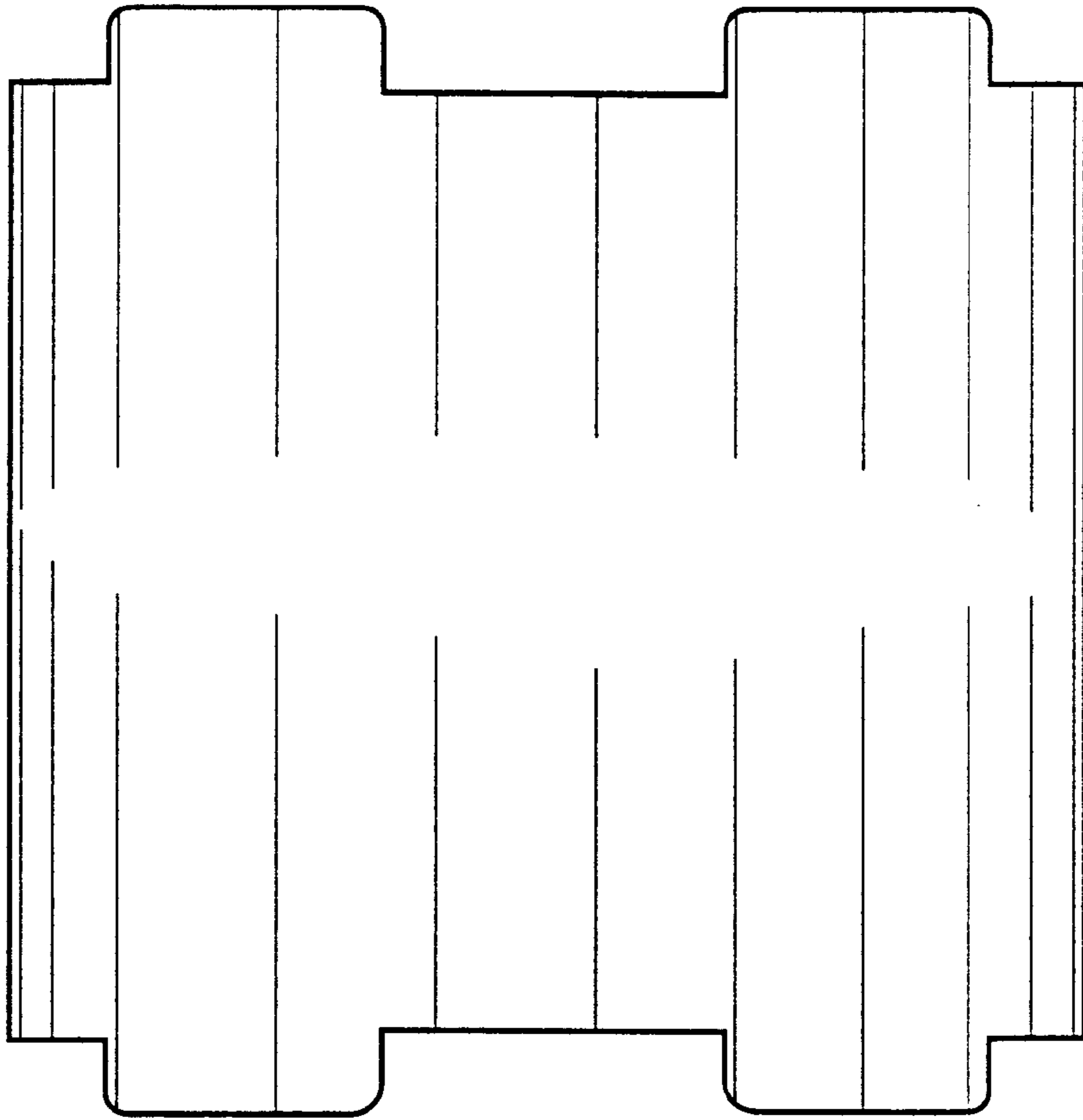


FIG. 2



**FIG. 3**

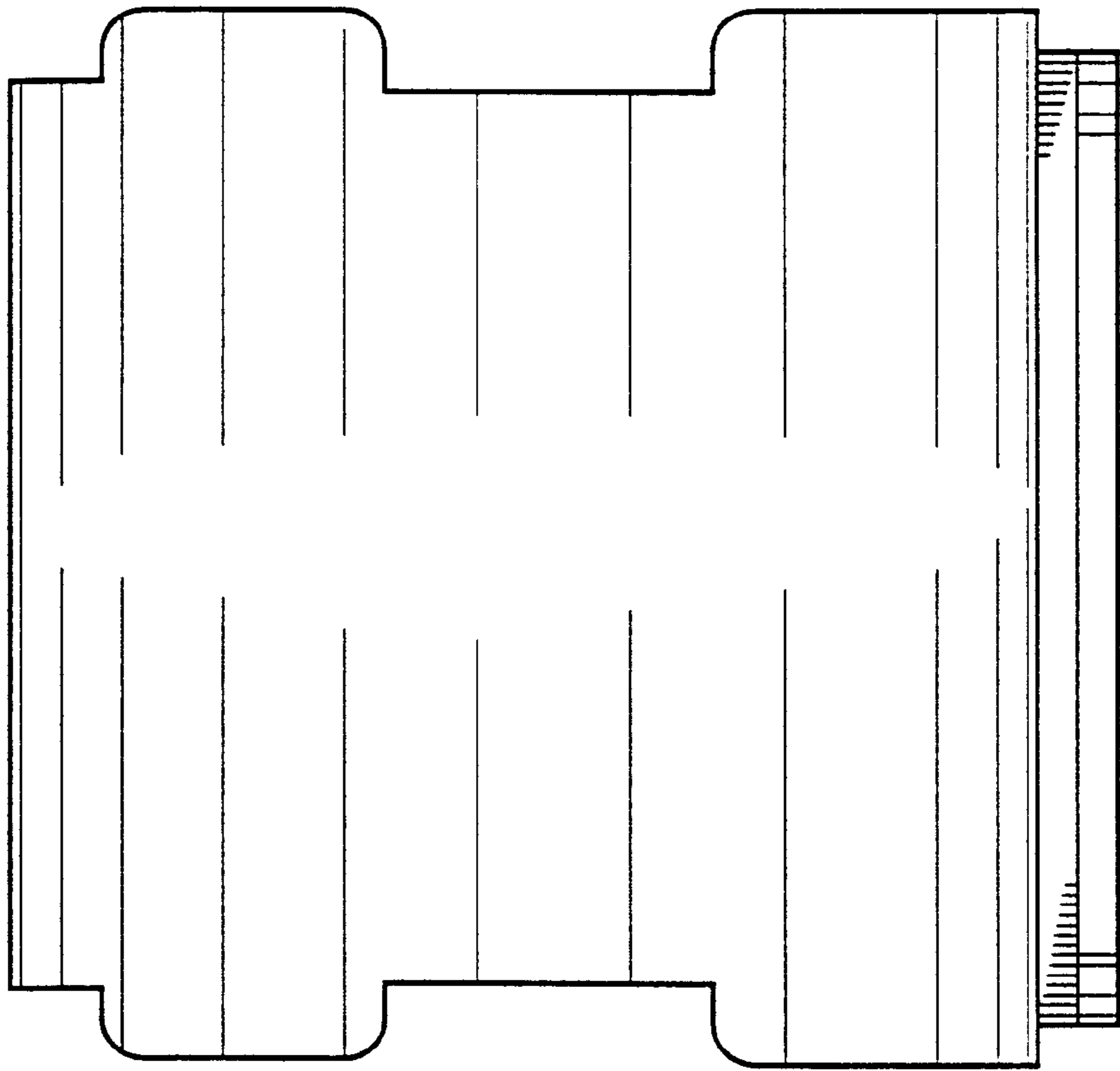


FIG. 4

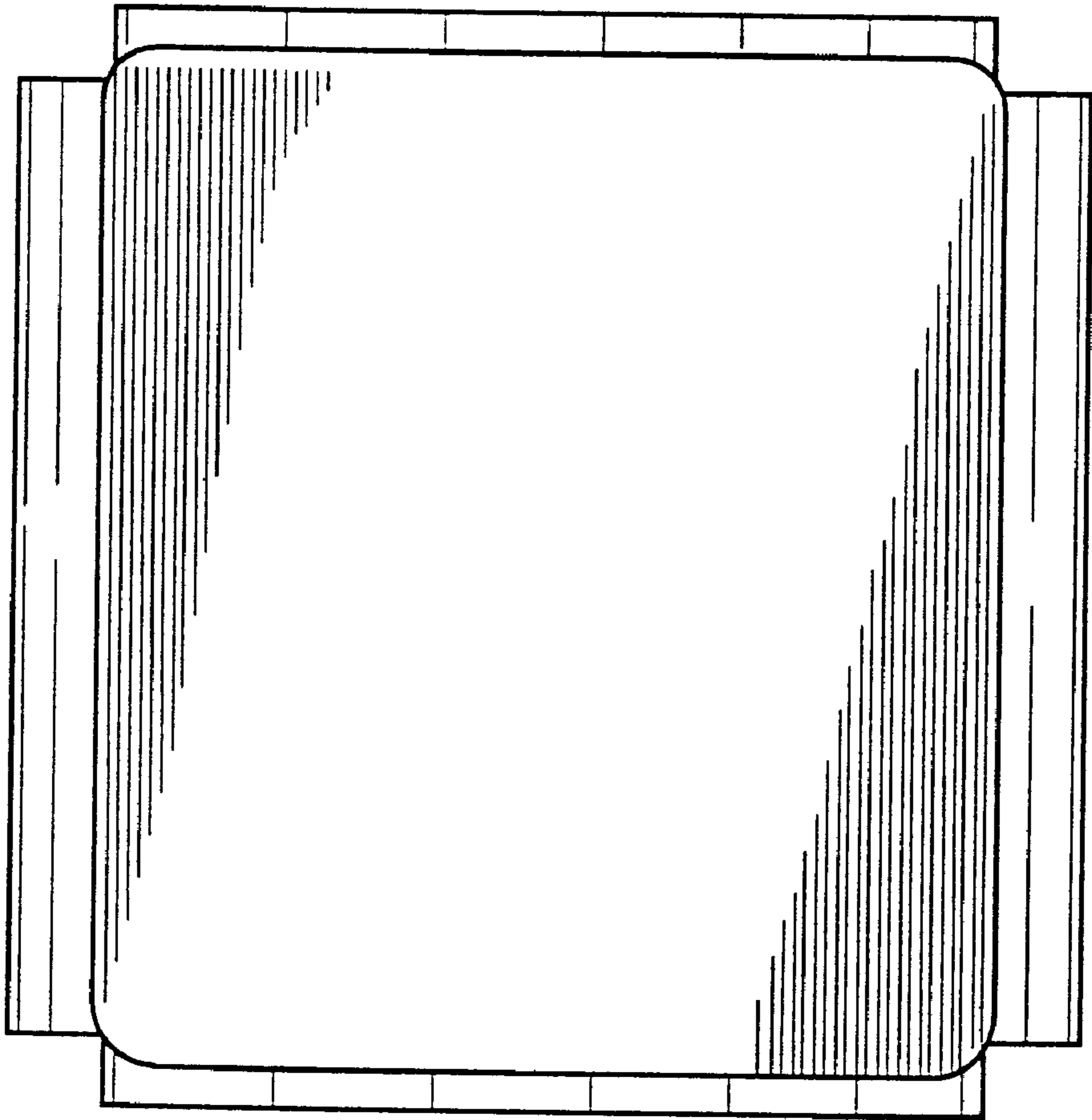
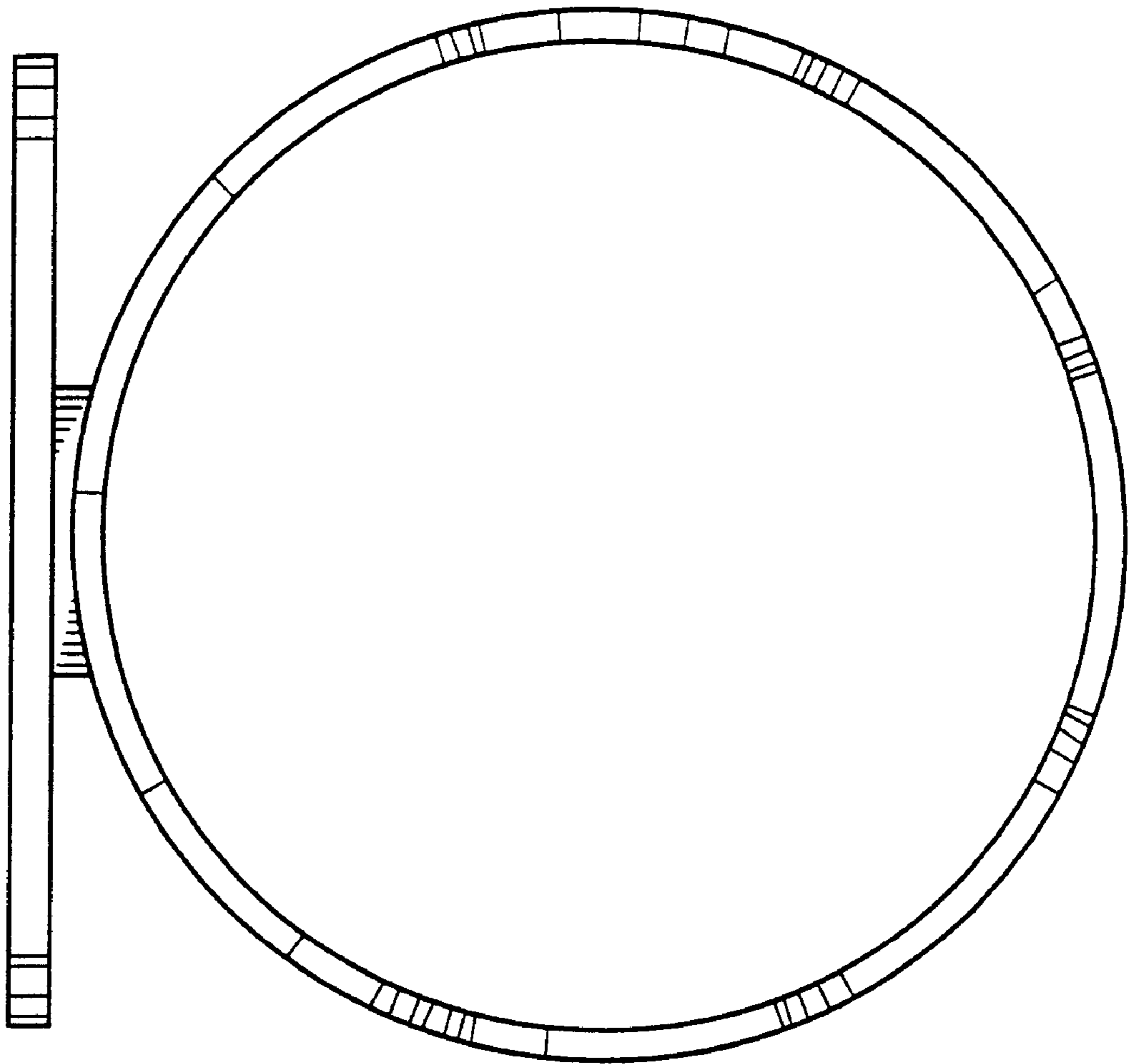


FIG. 5



**FIG. 6**

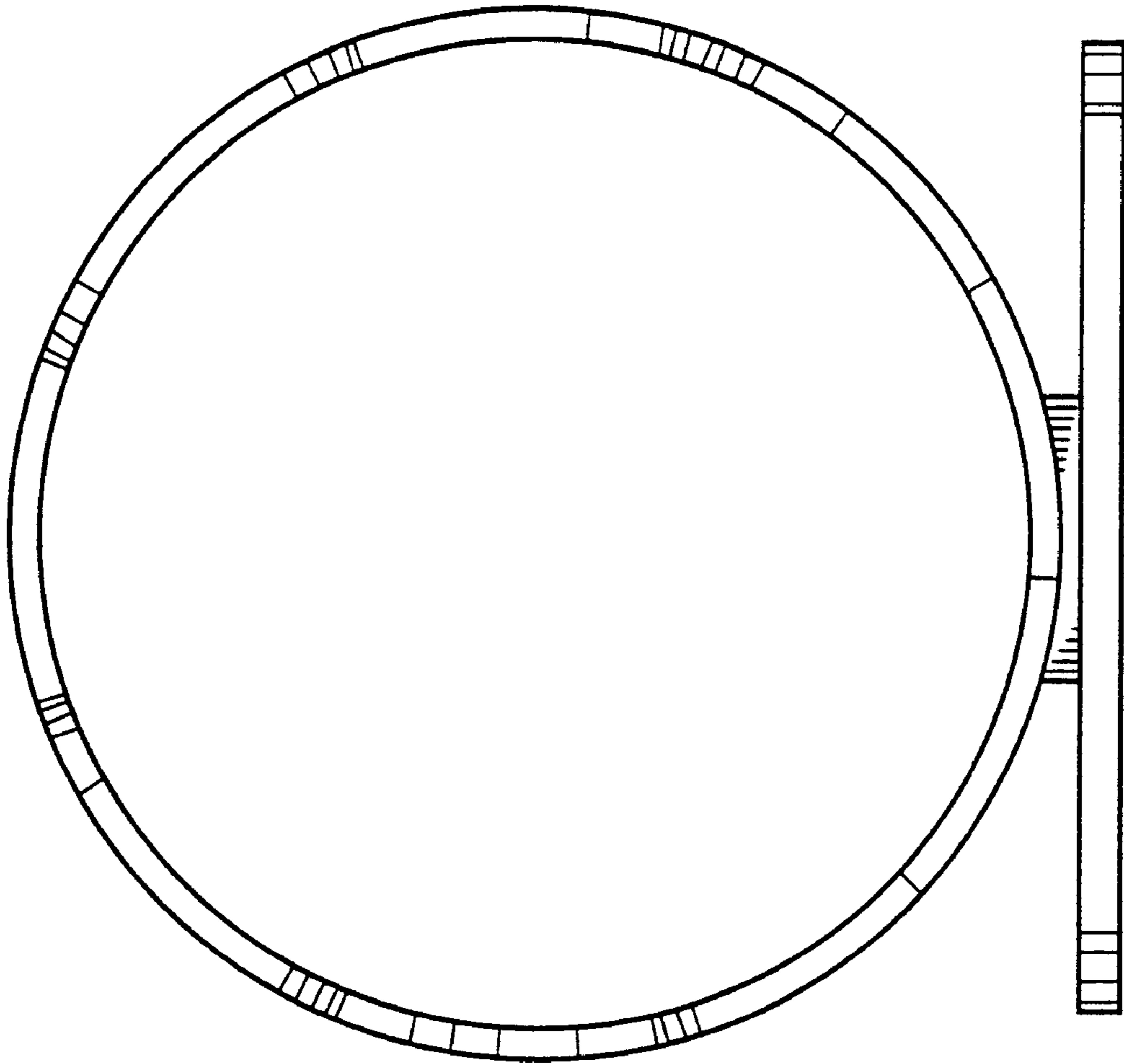


FIG. 7