



US00D440439S

(12) **United States Design Patent**
Zaidman

(10) **Patent No.: US D440,439 S**

(45) **Date of Patent: ** Apr. 17, 2001**

(54) **FURNITURE ELEMENT**

(75) Inventor: **S Paul Zaidman, Winnipeg (CA)**

(73) Assignee: **Palliser Furniture Ltd., Winnipeg (CA)**

(**) Term: **14 Years**

(21) Appl. No.: **29/087,676**

(22) Filed: **May 7, 1998**

(51) **LOC (7) Cl. 06-06**

(52) **U.S. Cl. D6/503; D6/491; D6/505**

(58) **Field of Search D6/382-384, 388-395, D6/505-508, 397, 479; 5/53.1, 279.1, 280, 281, 907, 2.1**

(56) **References Cited**

U.S. PATENT DOCUMENTS

D. 349,199 * 8/1994 Woodhams D6/393

(List continued on next page.)

OTHER PUBLICATIONS

A collection of miscellaneous photographs and drawings of unknown dates.

Primary Examiner—Janice E. Seeger

(74) *Attorney, Agent, or Firm*—Marshall, O’Toole, Gerstein, Murray & Borun

(57) **CLAIM**

The ornamental design for a furniture element, as shown and described.

DESCRIPTION

FIG. 1 is a perspective view of a furniture element, showing my new design embodied as a pair;

FIG. 2 is a front elevational view, the rear being identical thereto;

FIG. 3 is a side elevational view, the inner and outer faces being identical; the bottoms do not form part of the claimed design;

FIG. 4 is a top plan view thereof;

FIG. 5 is an enlarged cross-sectional view taken along line 5—5 in FIGS. 1 and 3;

FIG. 6 is a perspective view thereof;

FIG. 7 is a front elevational view, the rear being identical thereto;

FIG. 8 is a side elevational view, the inner and outer faces being identical; the bottoms do not form part of the claimed design;

FIG. 9 is a top plan view thereof;

FIG. 10 is an enlarged cross-sectional view taken along line 10—10 in FIGS. 6 and 8;

FIG. 11 is a perspective view of a furniture element, showing a second embodiment of my new design embodied in a single unit;

FIG. 12 is a front elevational view, the rear forms no part of the claimed design;

FIG. 13 is a right side elevational view, the left side being a mirror image thereof;

FIG. 14 is a top plan view thereof; the bottom forms no part of the claimed design;

FIG. 15 is an enlarged cross-sectional view taken along line 15—15 in FIG. 12;

FIG. 16 is a perspective view of a furniture element, showing a third embodiment of my new design embodied in a single unit;

FIG. 17 is a front elevational view, the rear forms no part of the claimed design;

FIG. 18 is a right side elevational view, the left side being a mirror image thereof;

FIG. 19 is a top plan view thereof; the bottom forms no part of the claimed design;

FIG. 20 is an enlarged cross-sectional view taken along line 20—20 in FIG. 17;

FIG. 21 is a perspective view of a furniture element, showing a fifth embodiment of my new design embodied as a pair; the opposite sides of that shown being a mirror image of that shown;

FIG. 22 is a front elevational view thereof;

FIG. 23 is a right side elevational view, the inner and outer faces being identical; the bottoms do not form part of the claimed design;

FIG. 24 is a top plan view thereof;

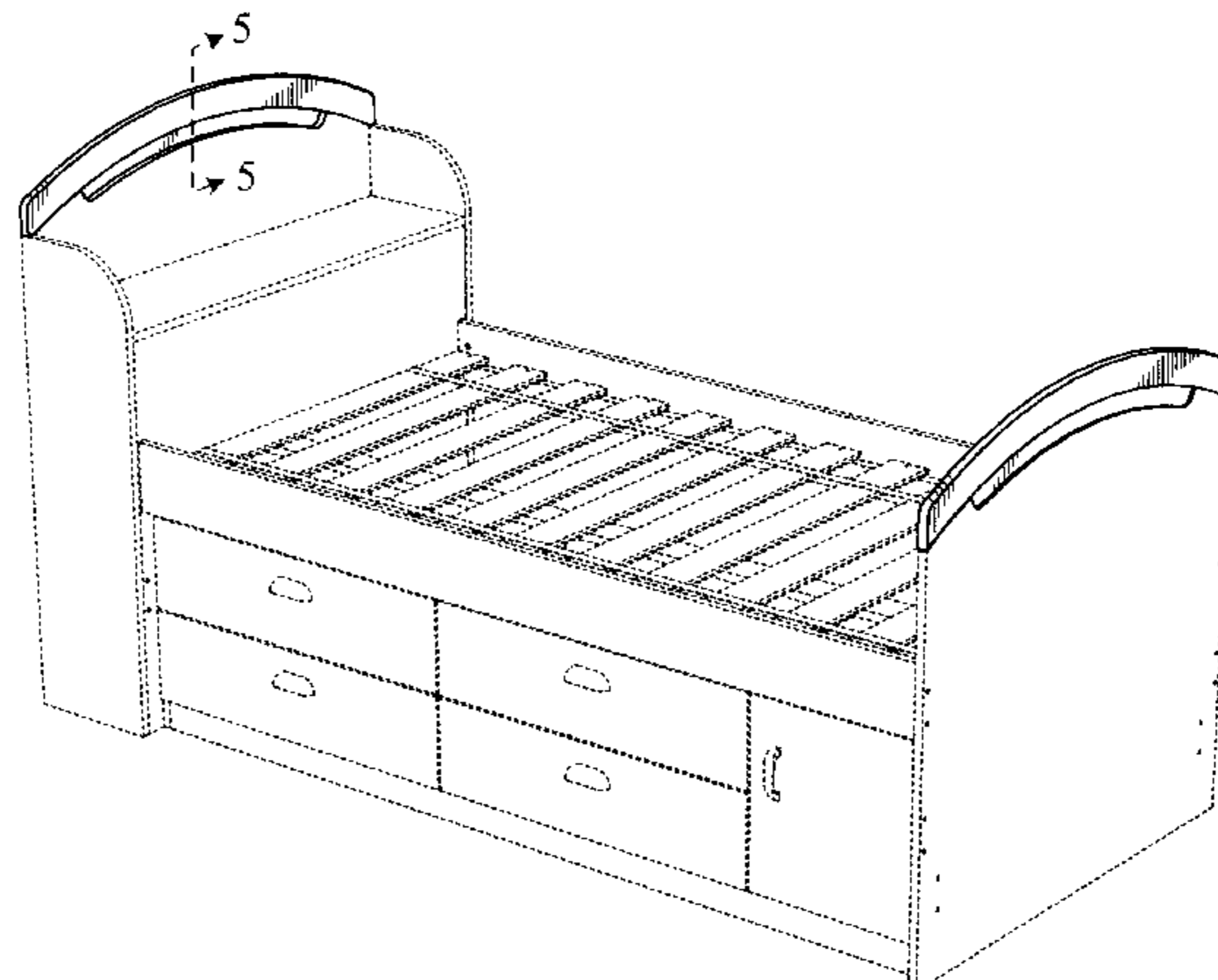
FIG. 25 is an enlarged cross-sectional view taken along line 25—25 in FIGS. 21 and 23;

FIG. 26 is a rear view thereof; and,

FIG. 27 is a left side elevational view thereof.

The features shown in dotted outline in each of the embodiments of the design do not constitute part of the design.

1 Claim, 11 Drawing Sheets



US D440,439 S

Page 2

U.S. PATENT DOCUMENTS	5,832,549 * 11/1998 Le Pallec et al.	5/430
D. 365,473 * 12/1995 Johnson	D6/479	
D. 403,526 * 1/1999 Zaidman	D6/384	* cited by examiner

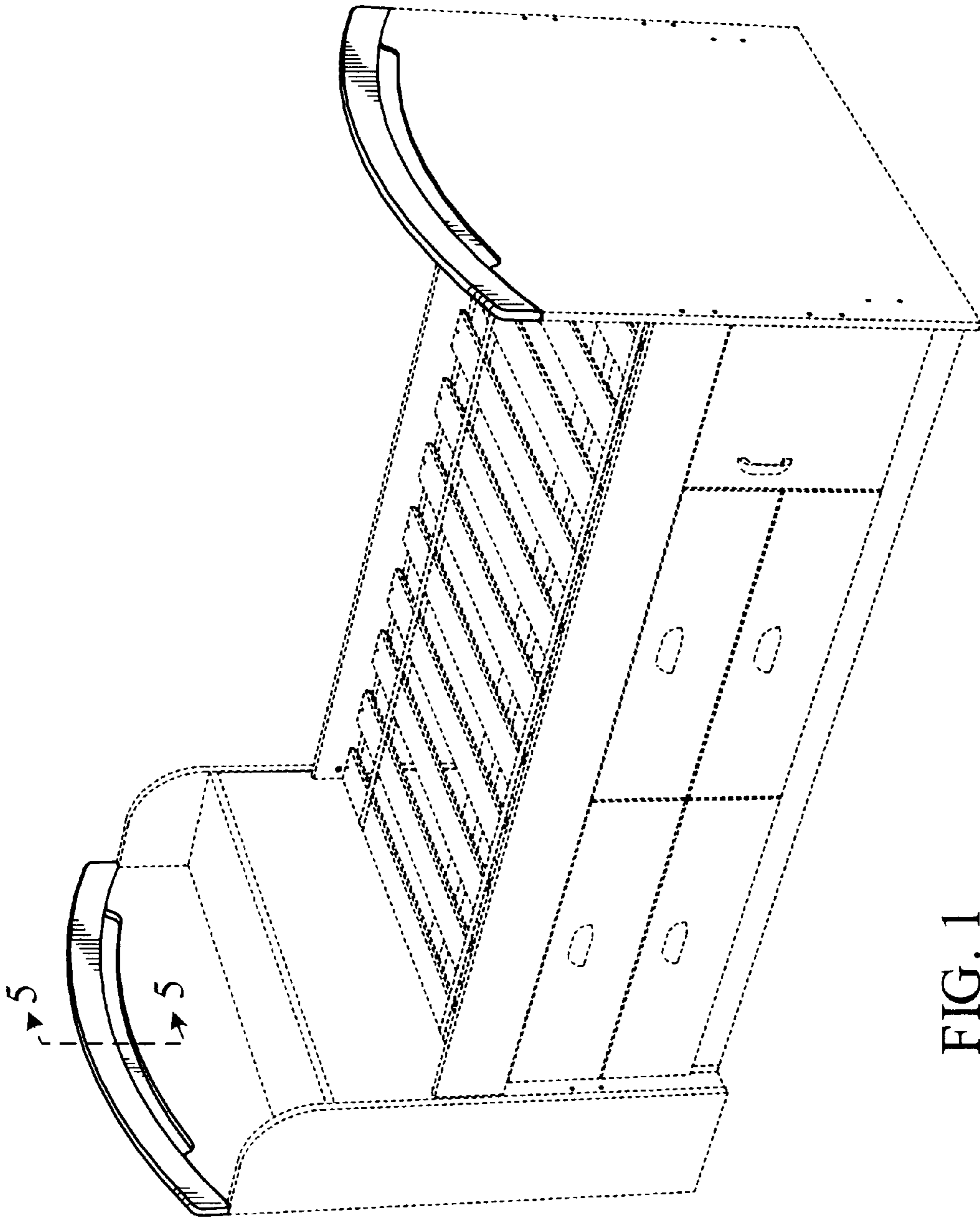


FIG. 1

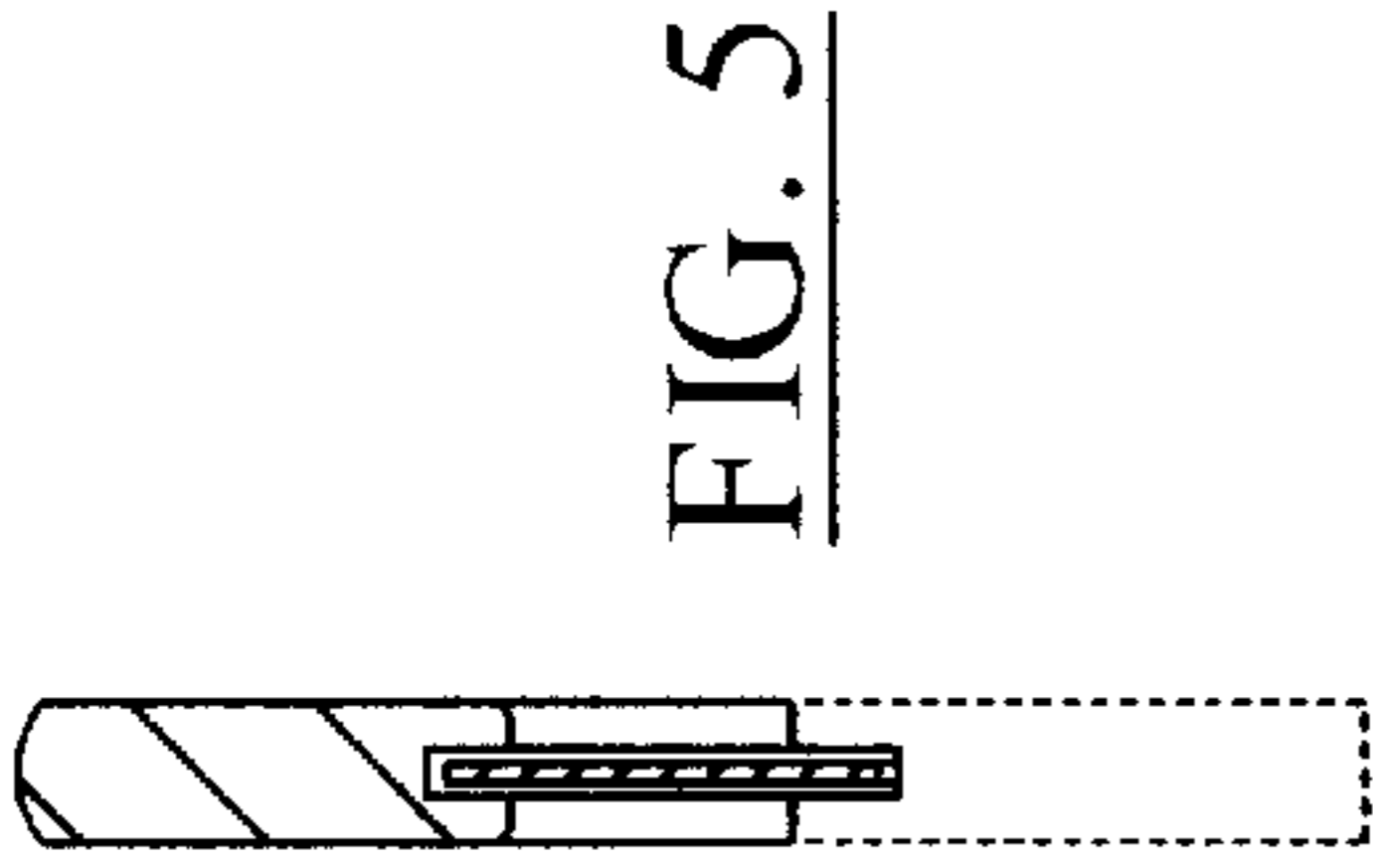


FIG. 5

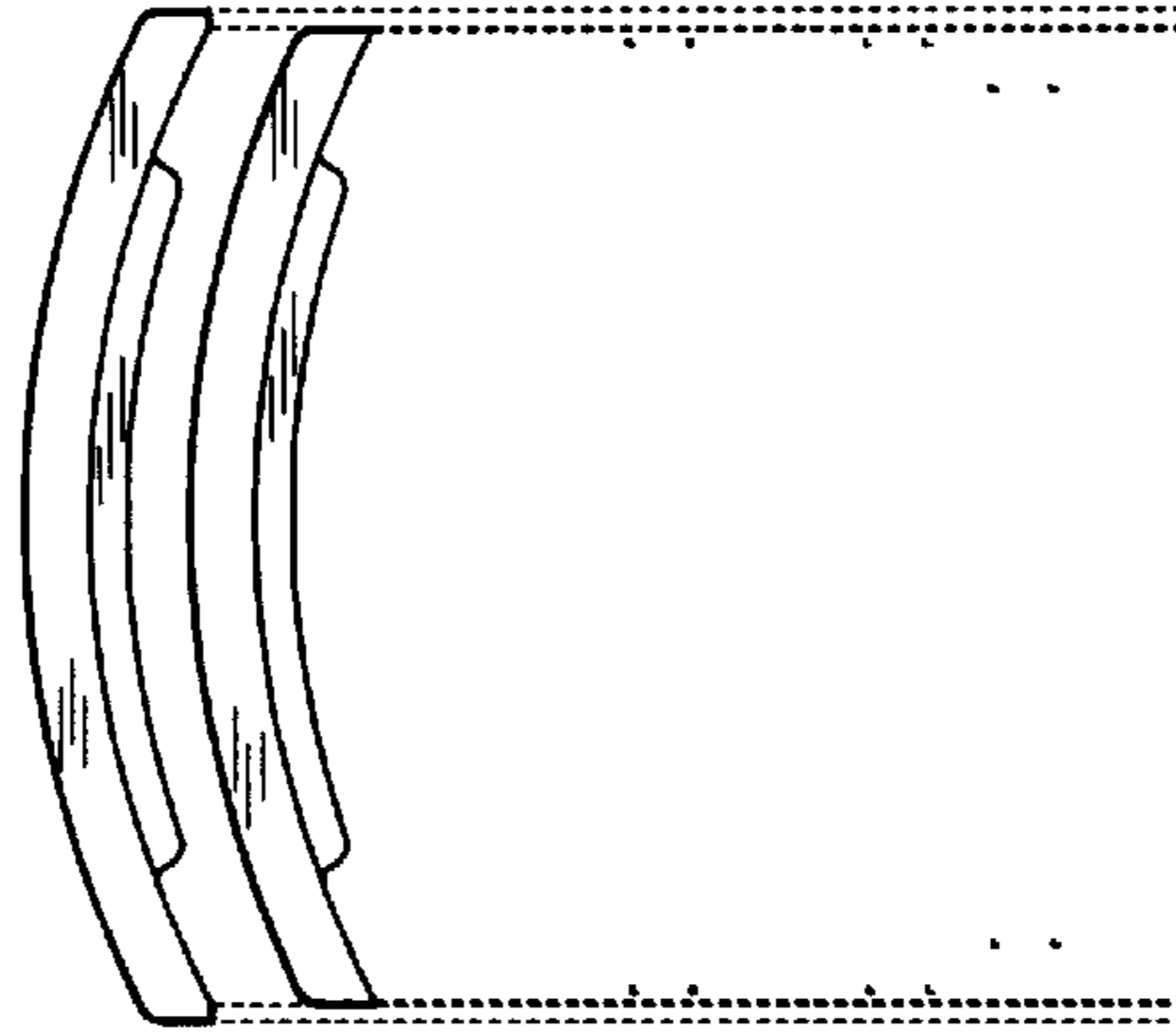


FIG. 3

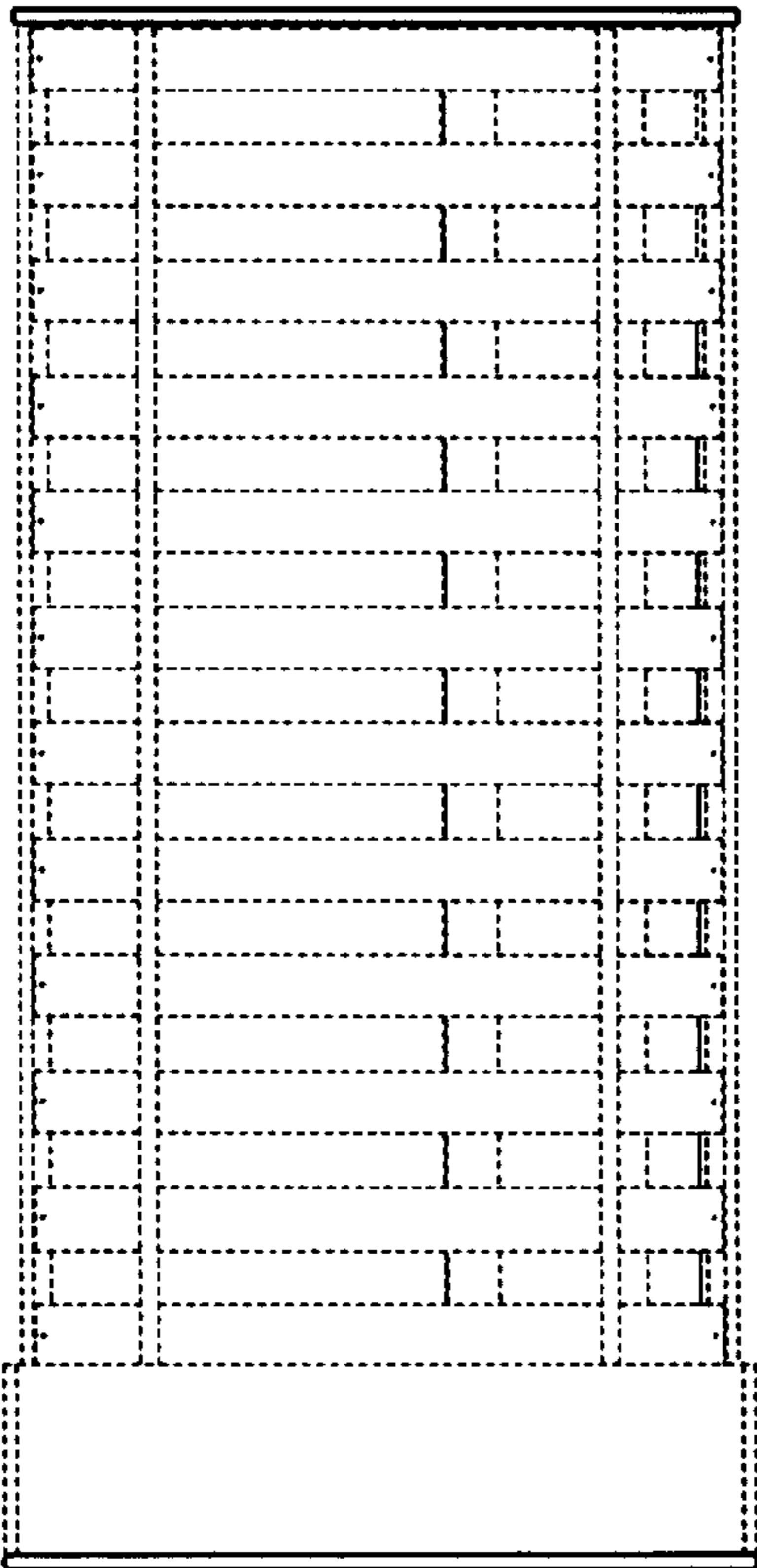


FIG. 4

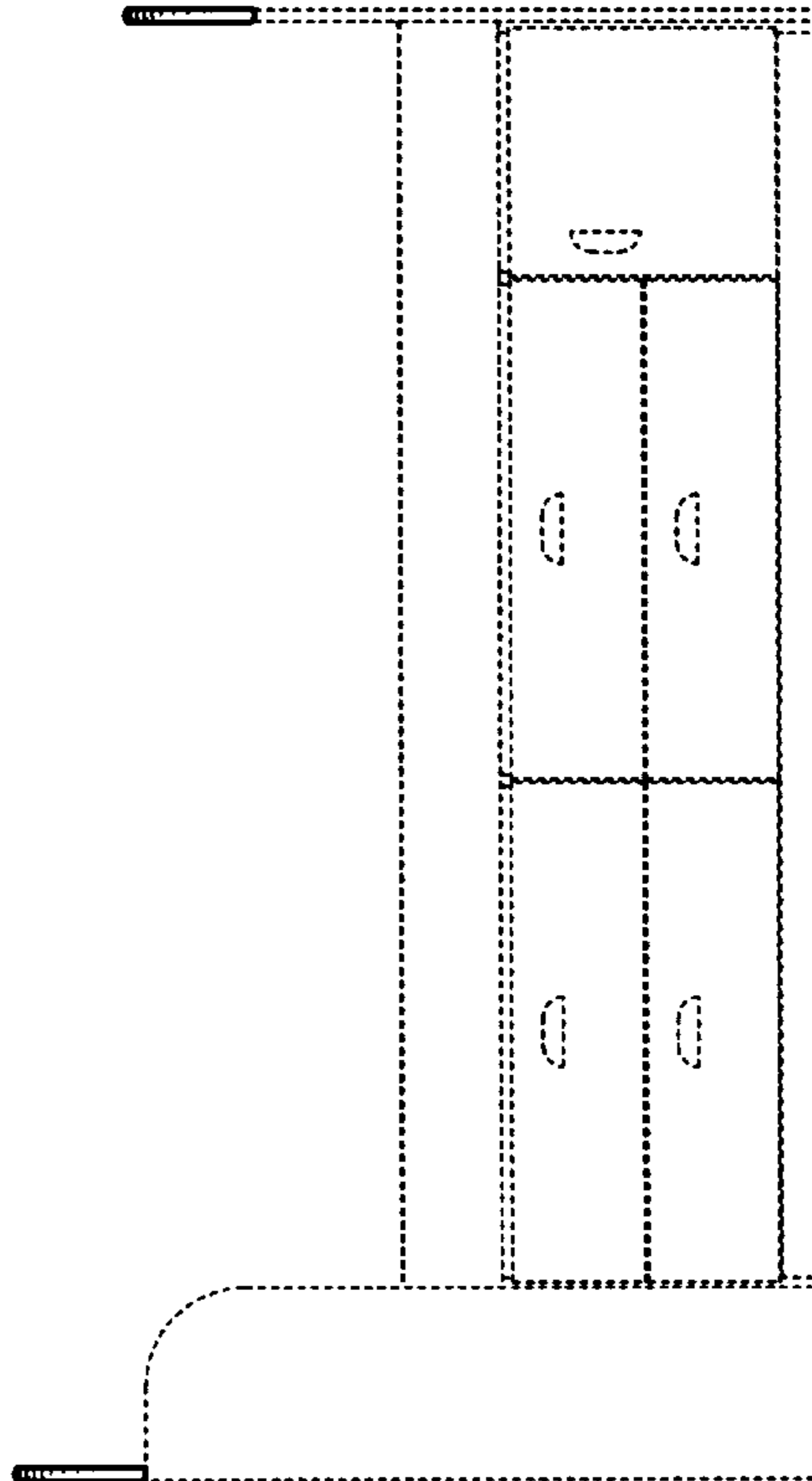


FIG. 2

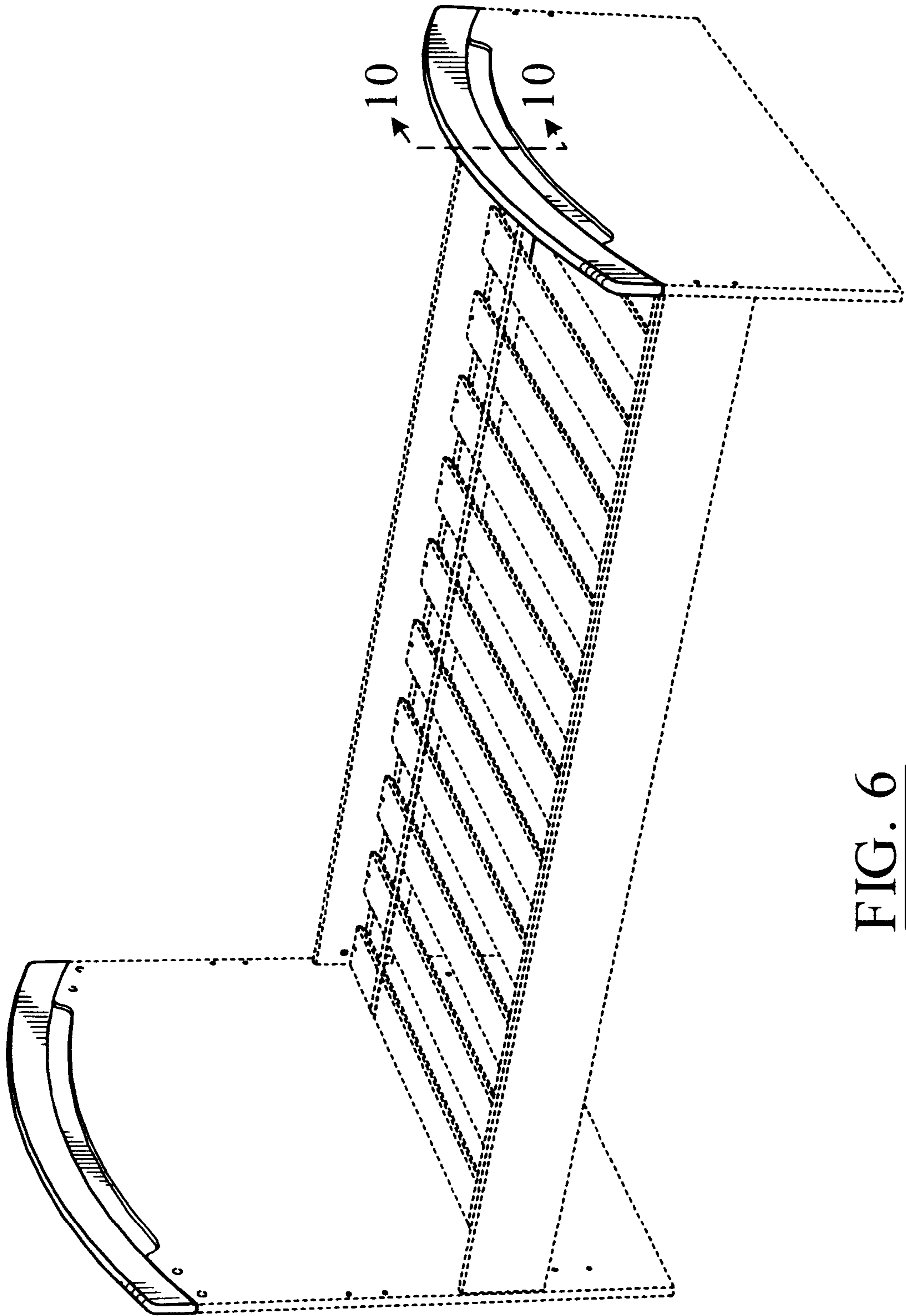


FIG. 6

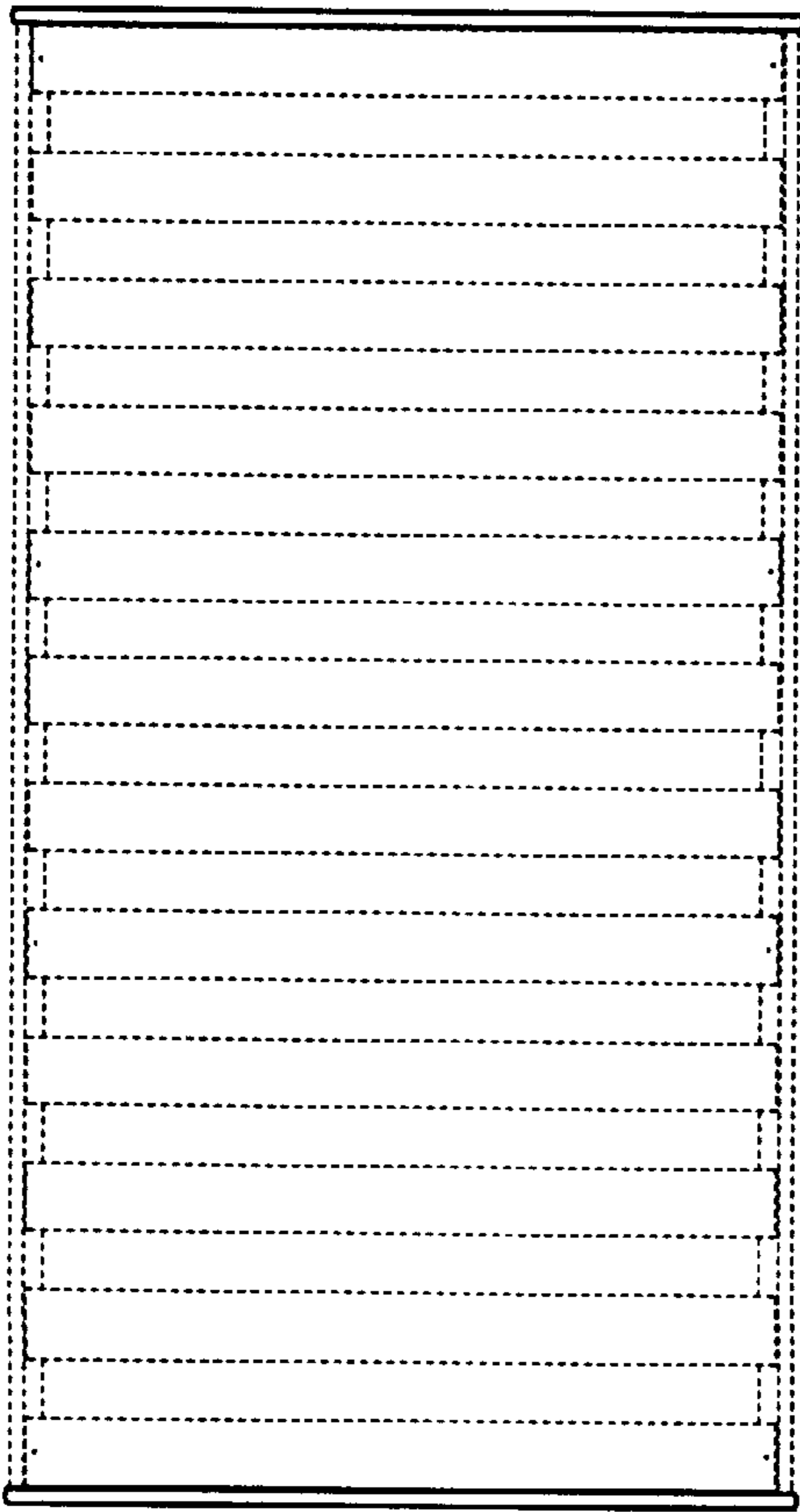


FIG. 9

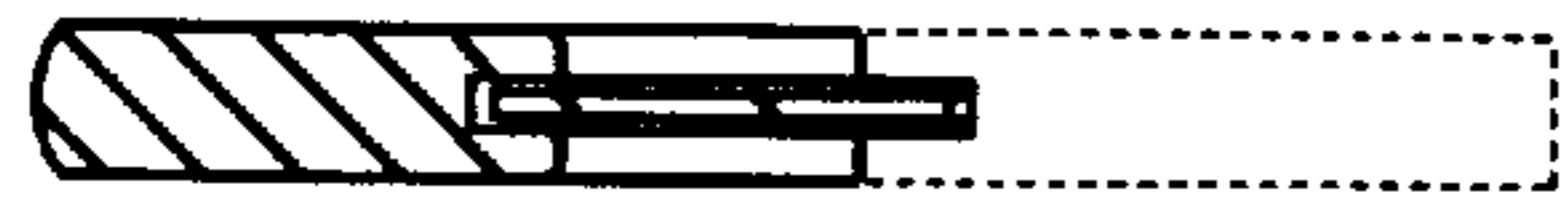


FIG. 10

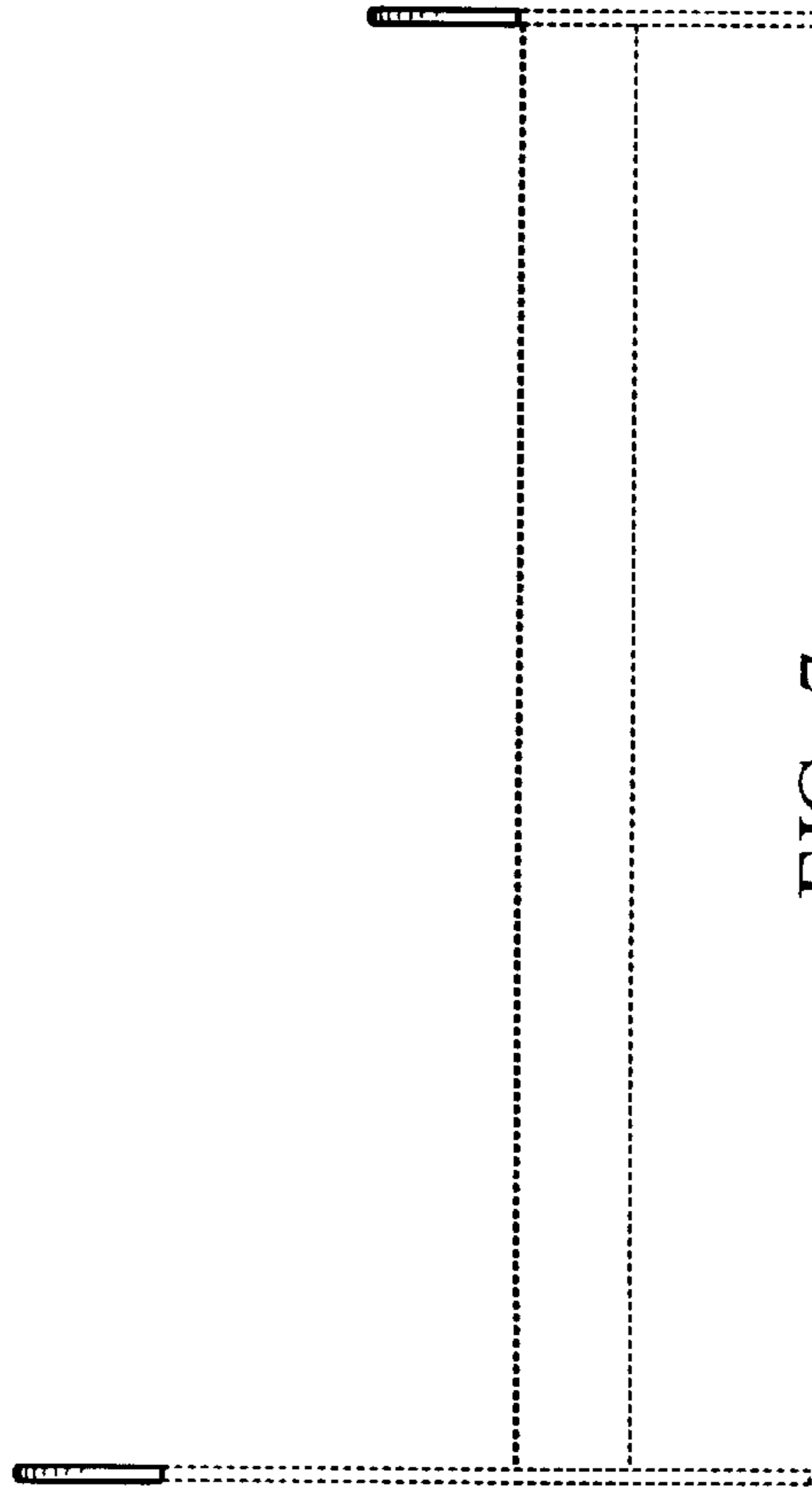


FIG. 7

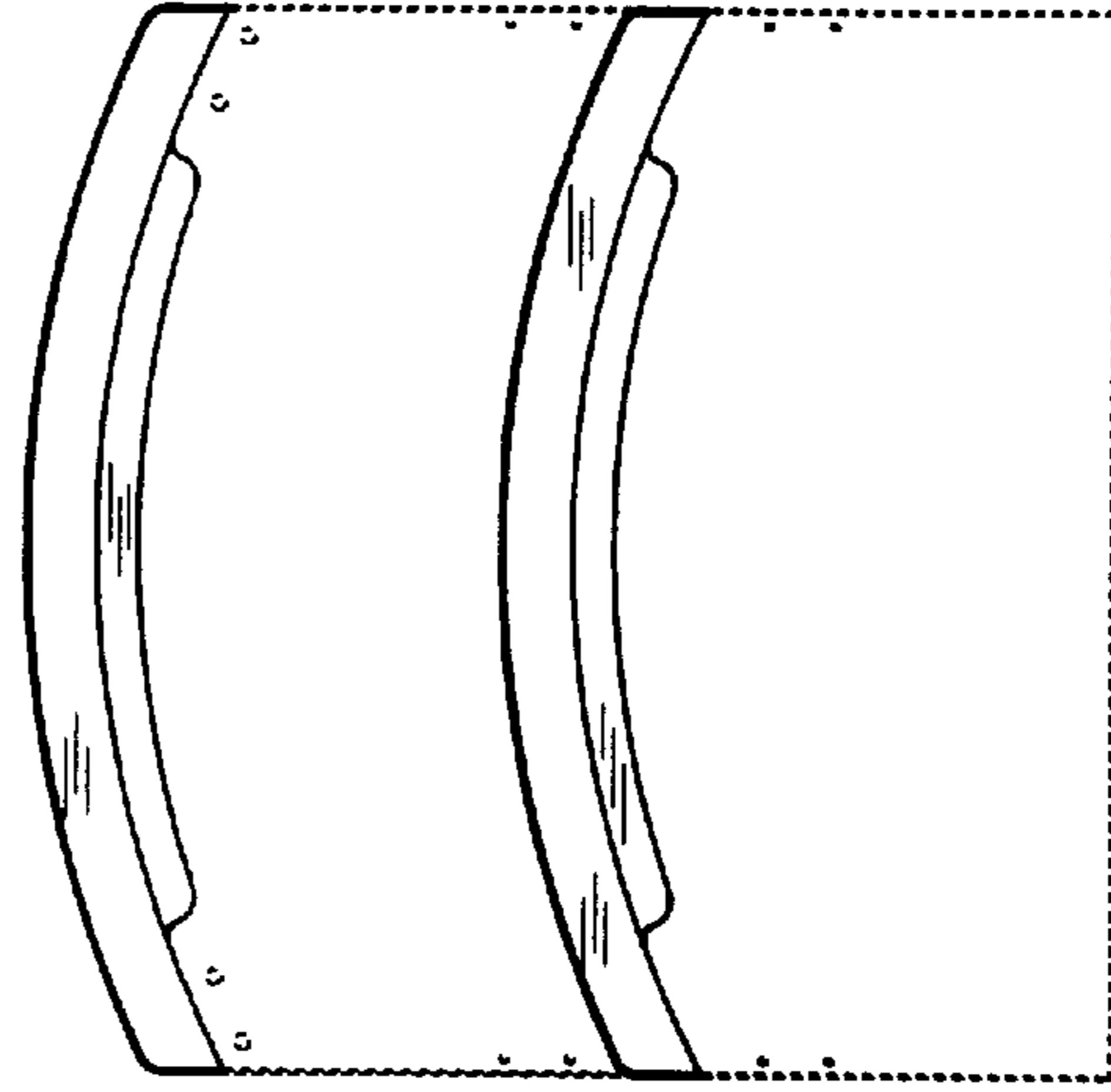


FIG. 8

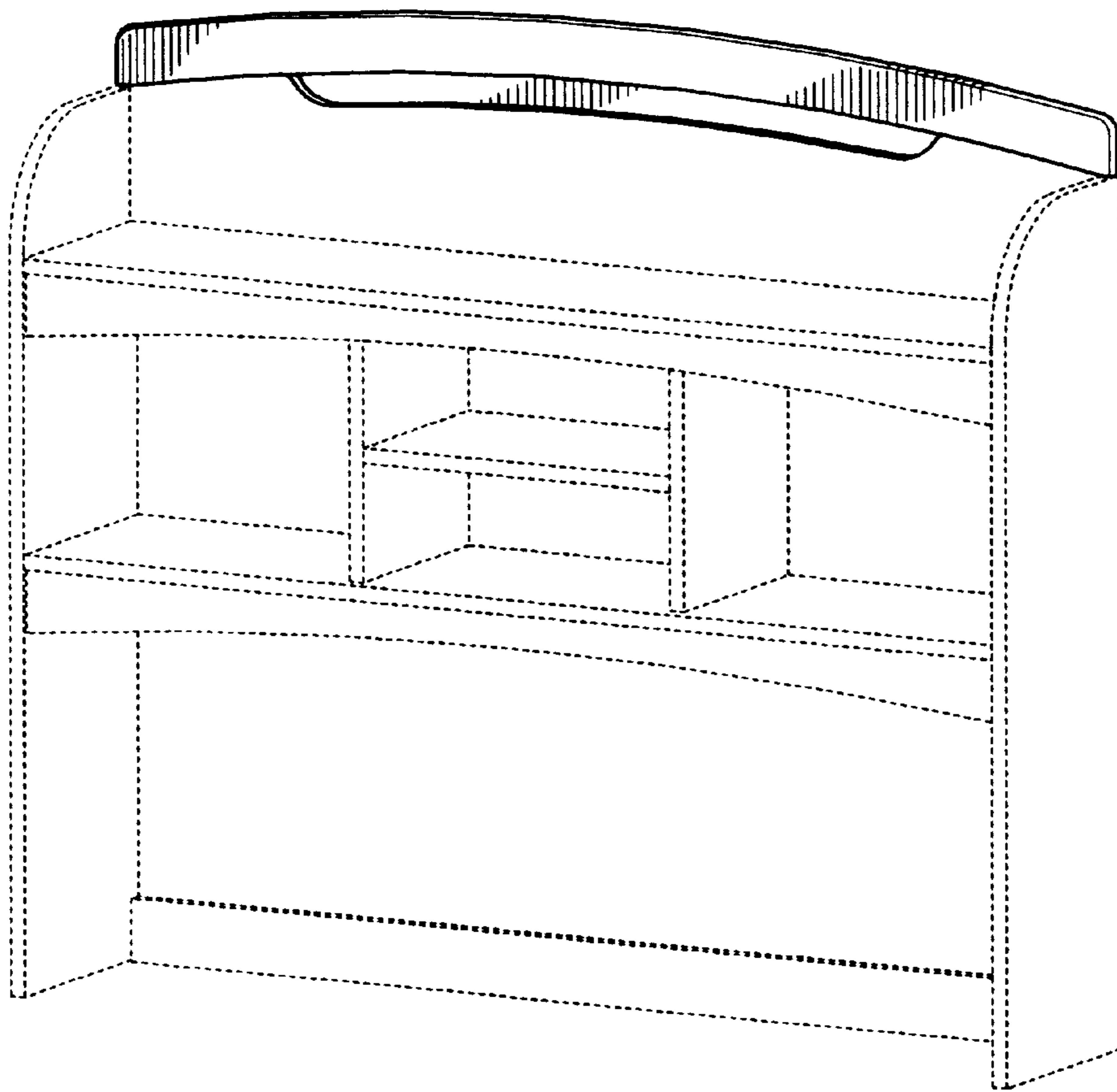


FIG. 11

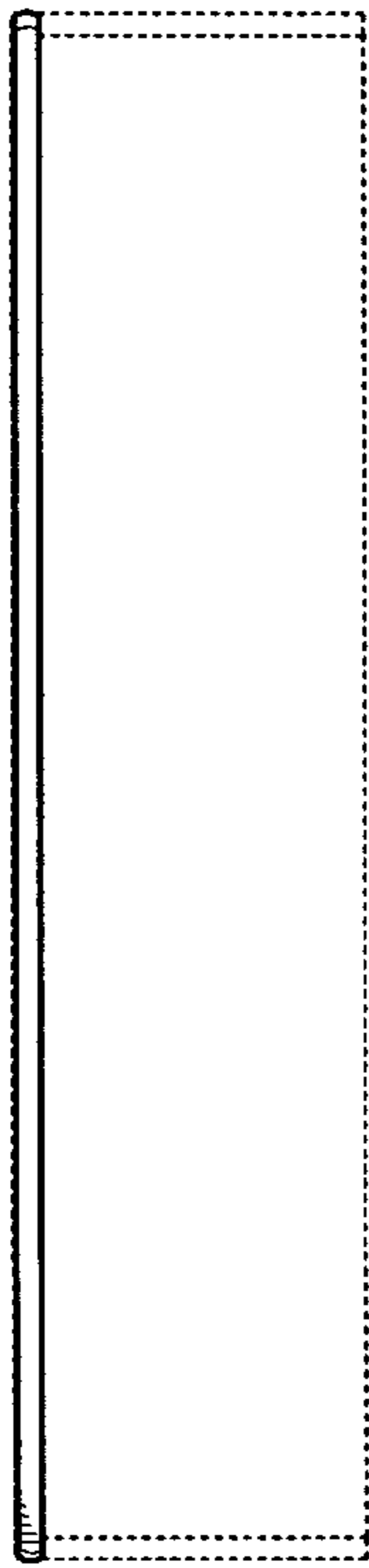


FIG. 14

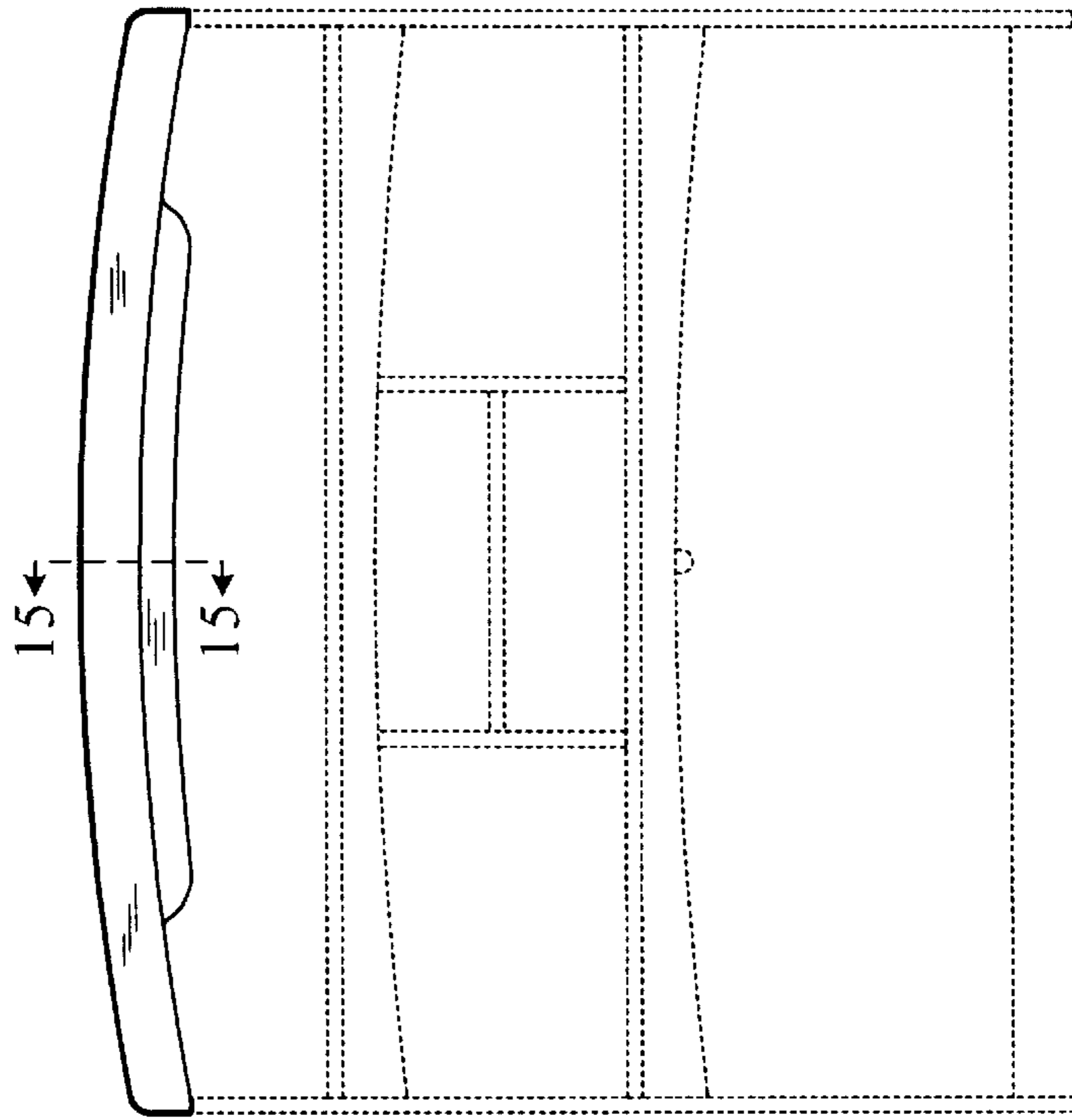


FIG. 12



FIG. 15

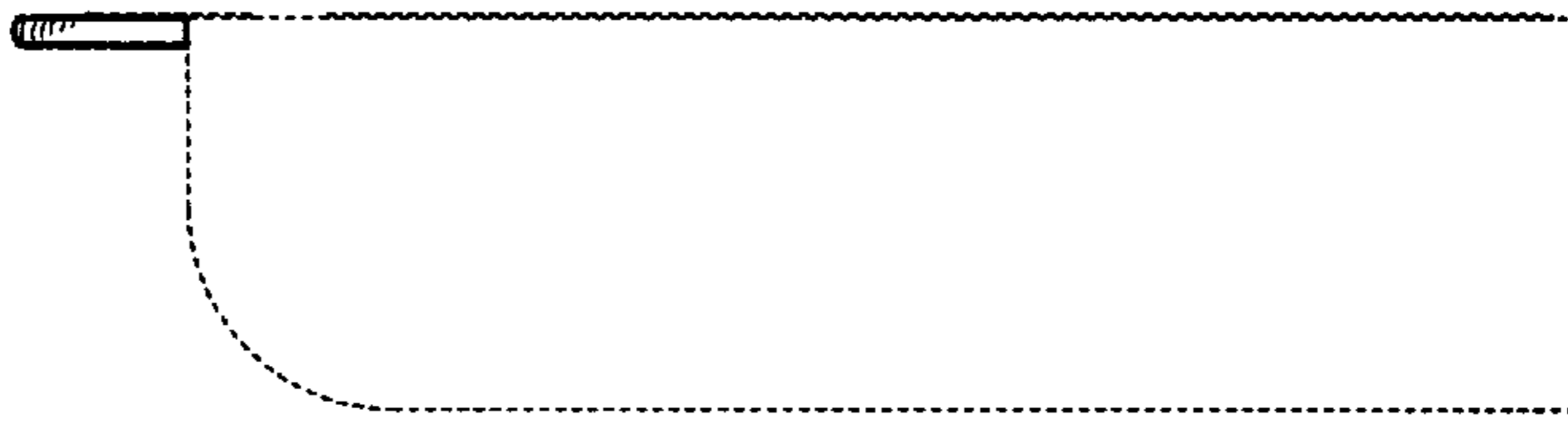


FIG. 13

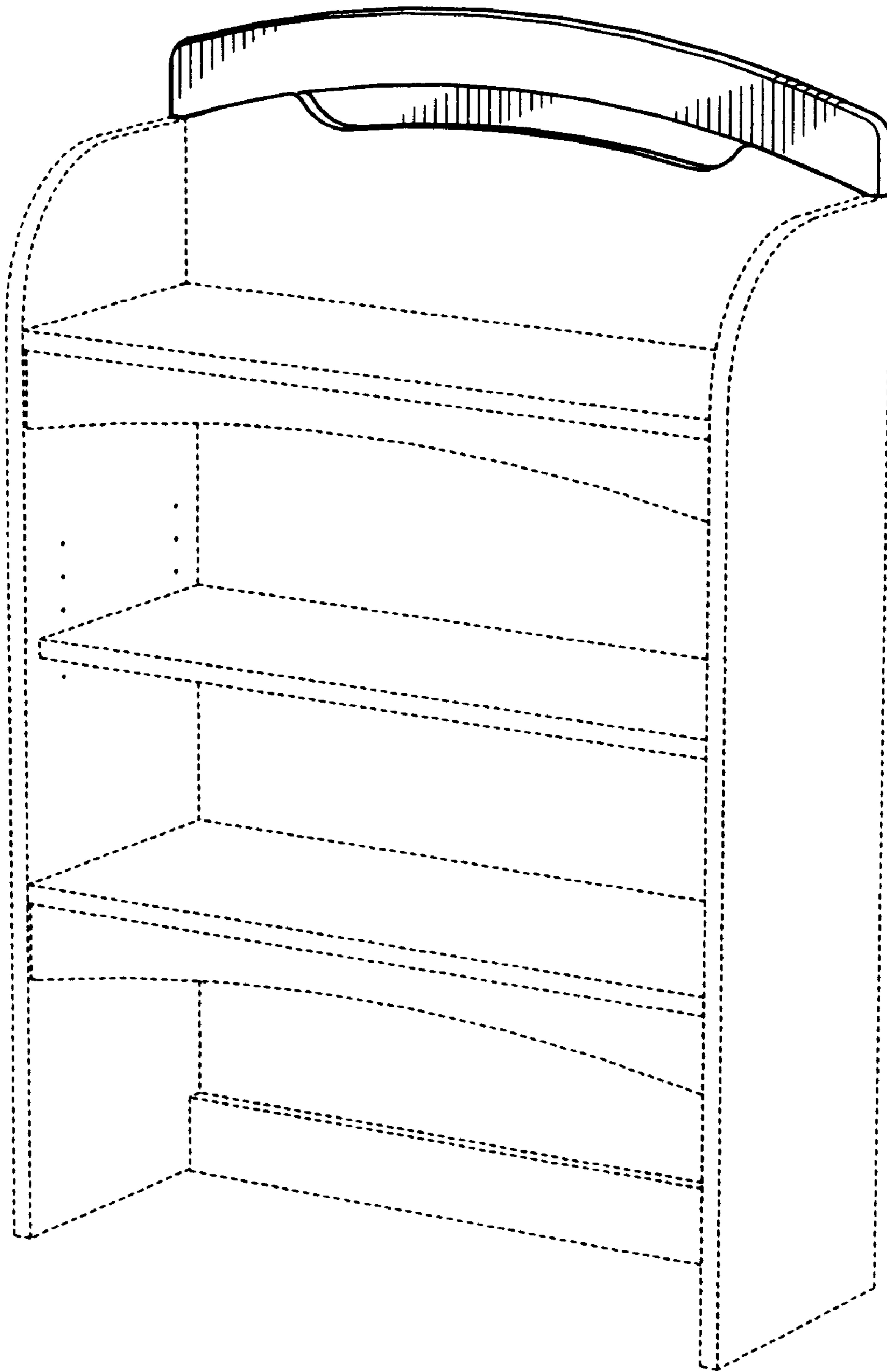


FIG. 16

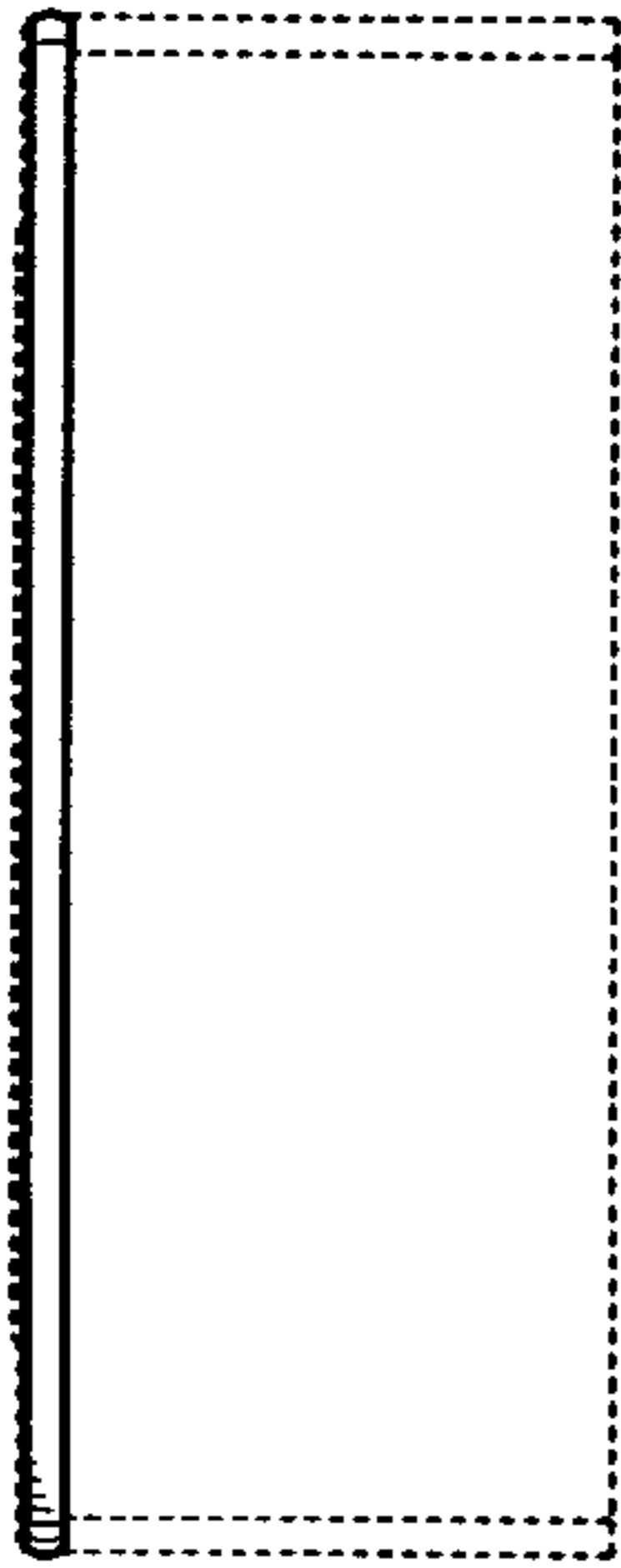


FIG. 19

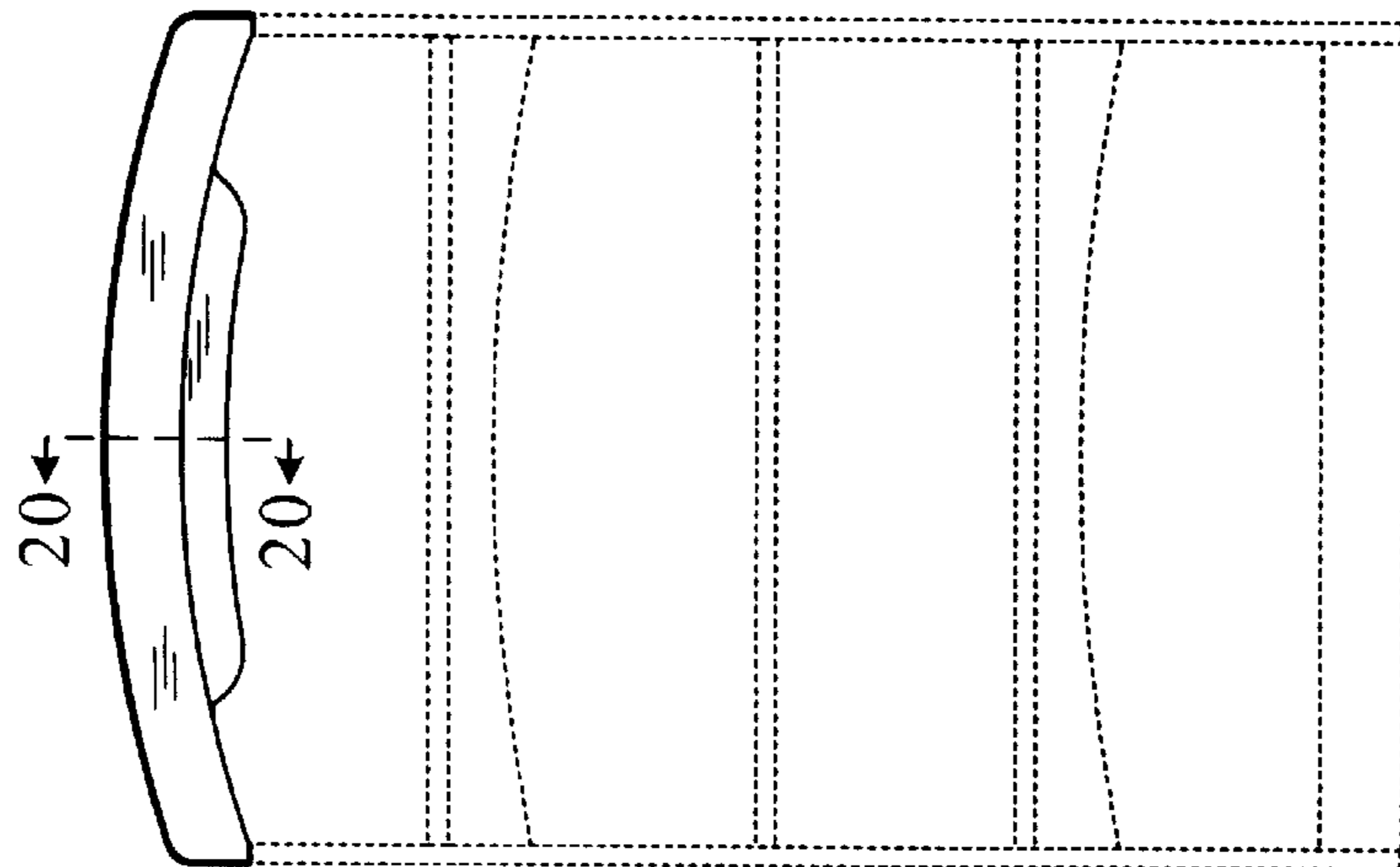


FIG. 17

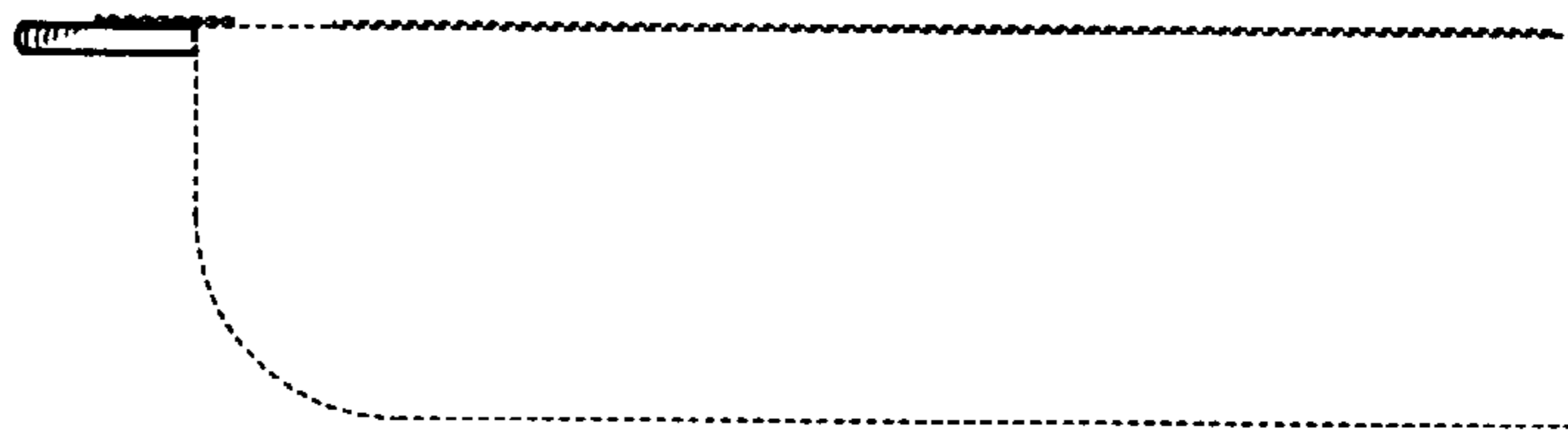


FIG. 18



FIG. 20

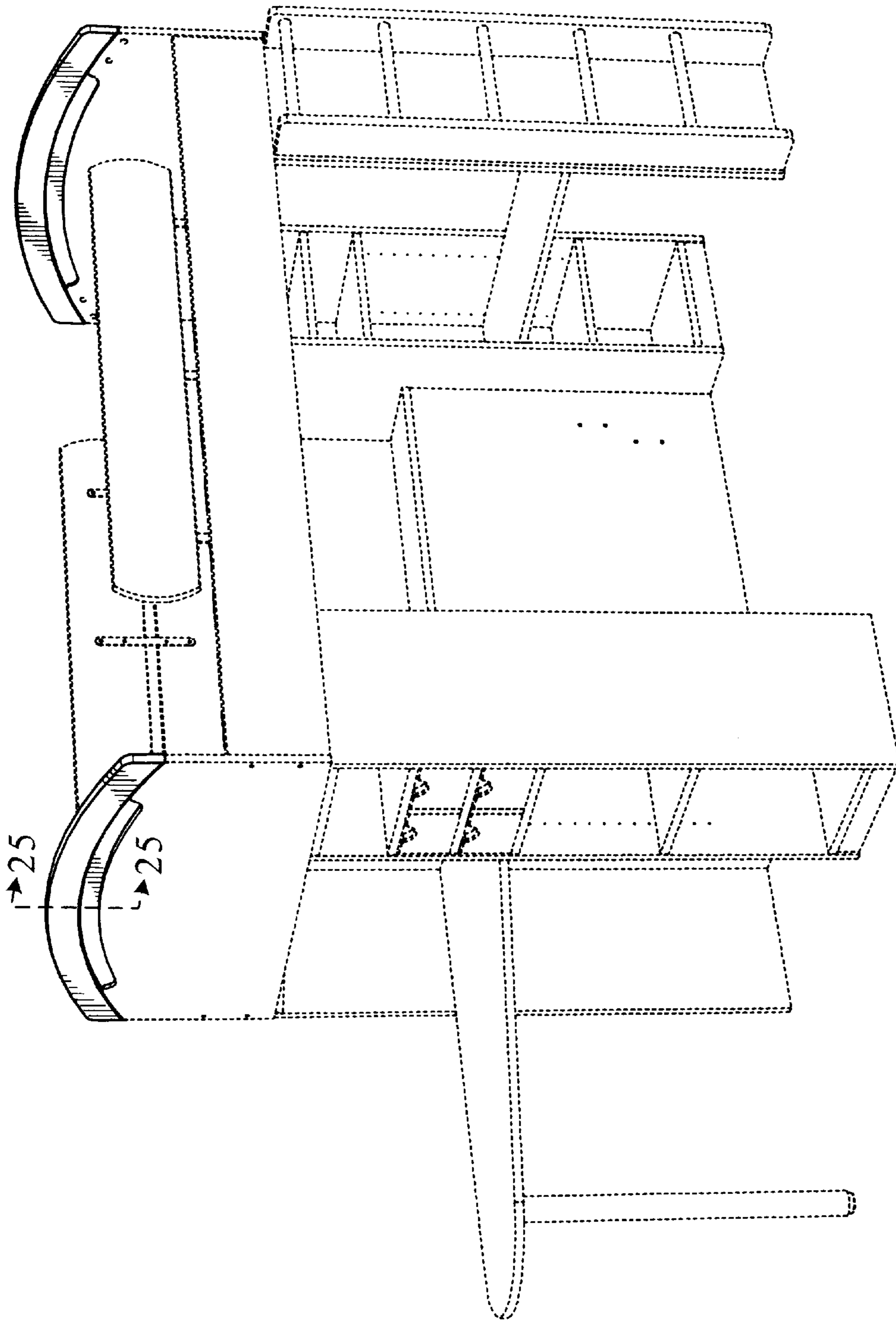


FIG. 21

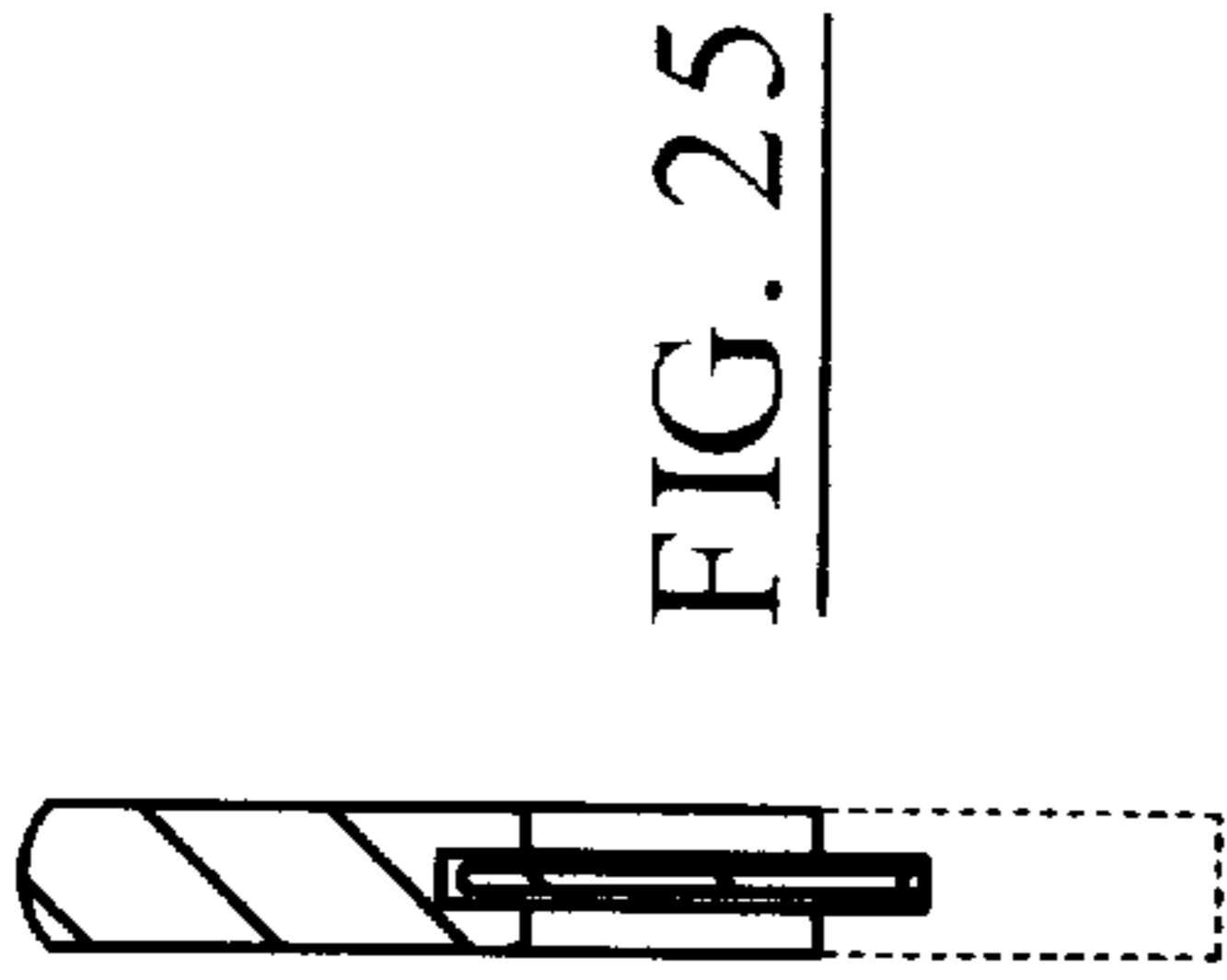


FIG. 25

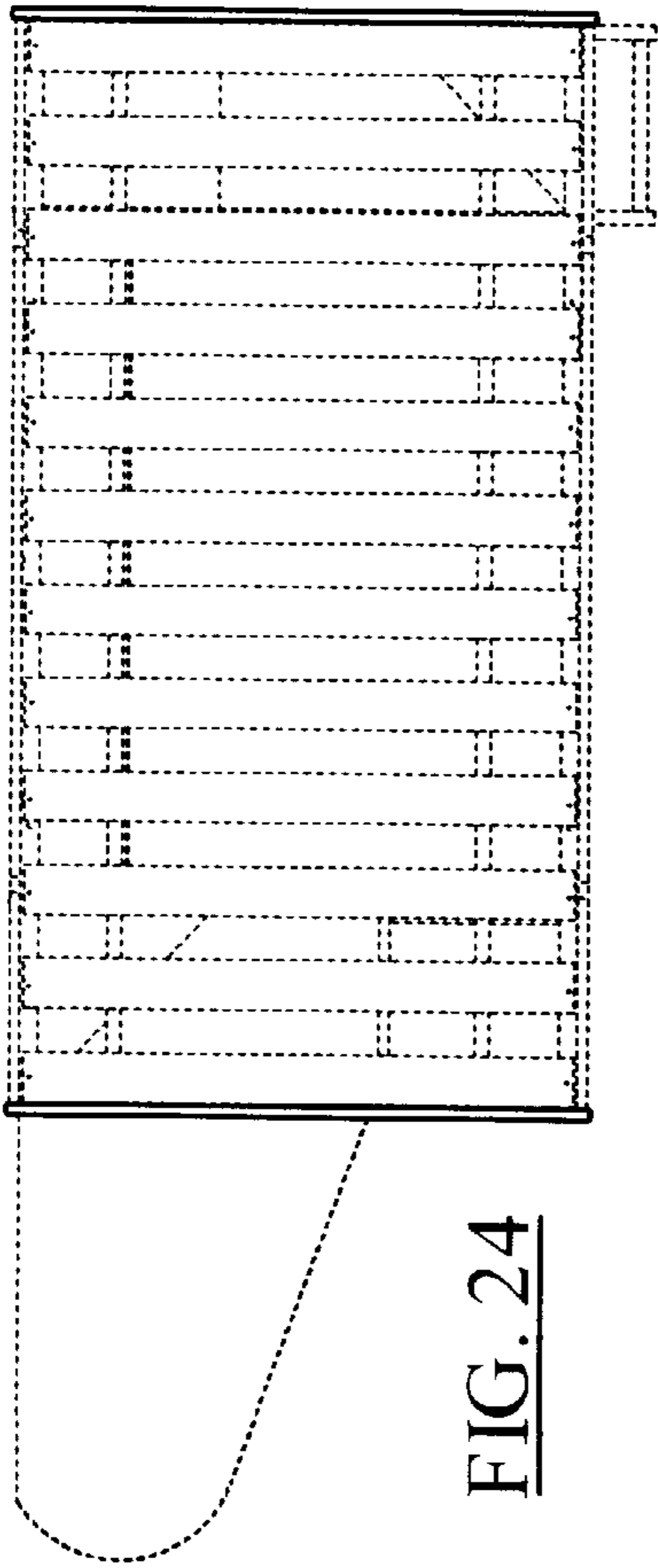


FIG. 24

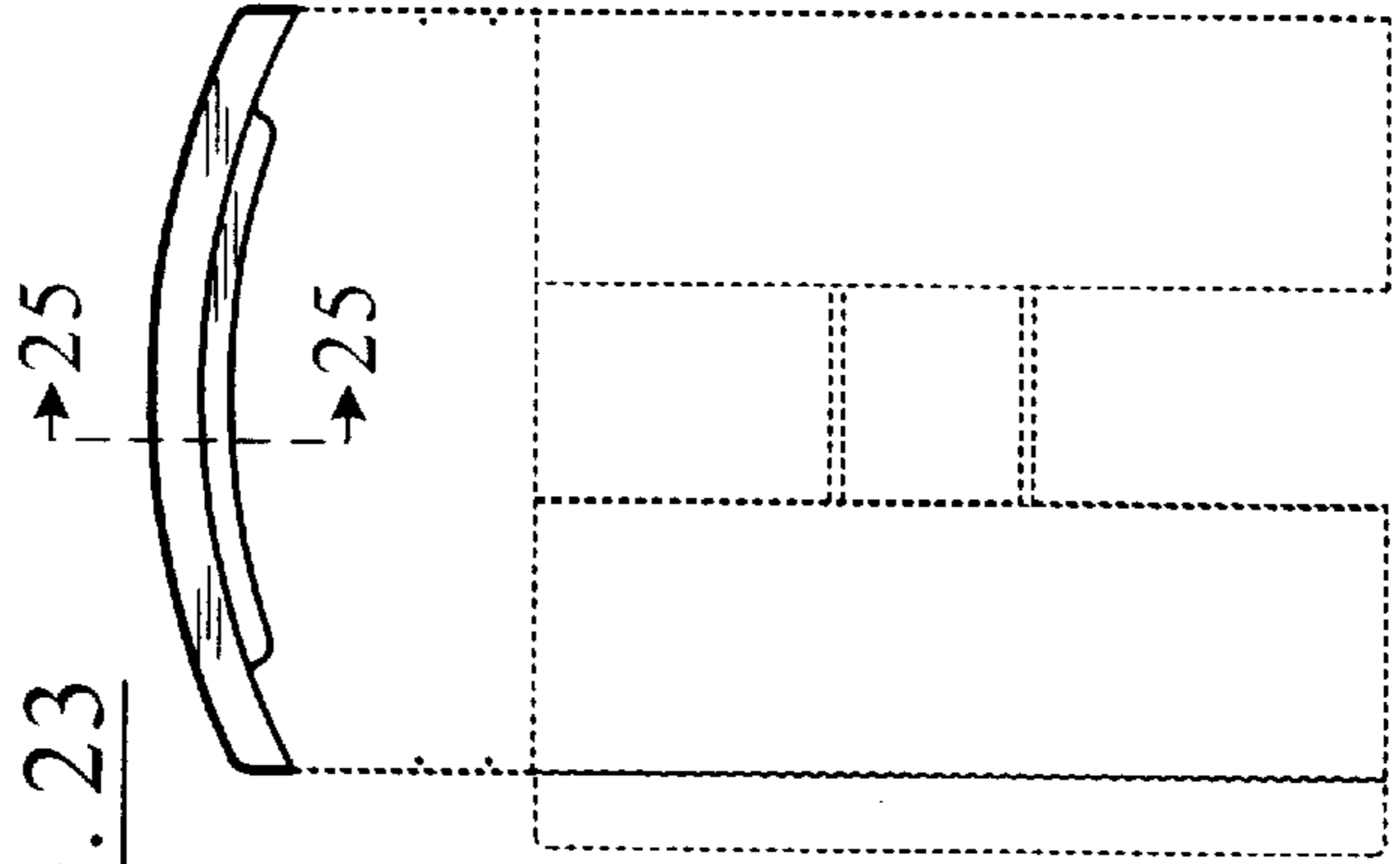


FIG. 23

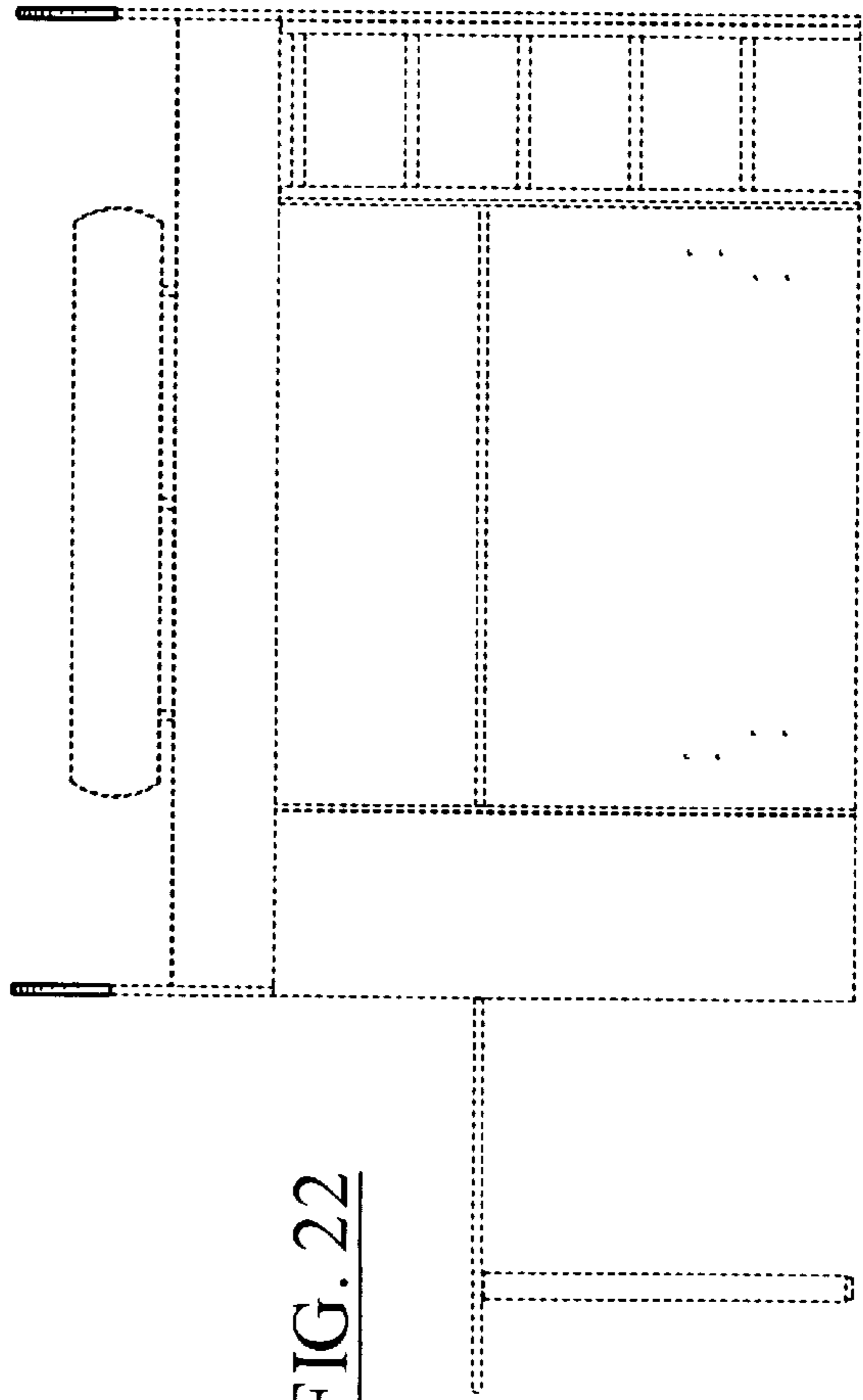


FIG. 22

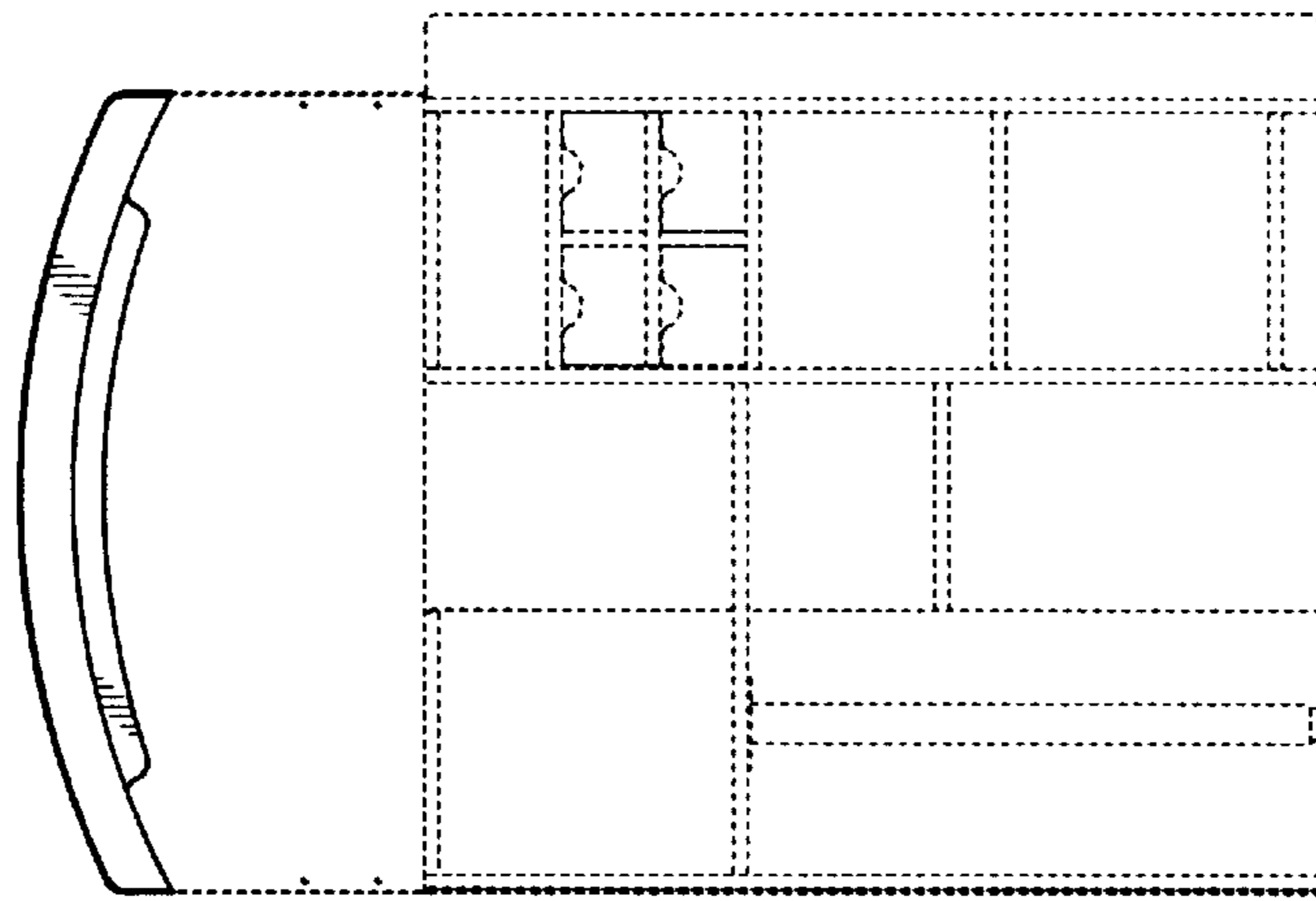


FIG. 27

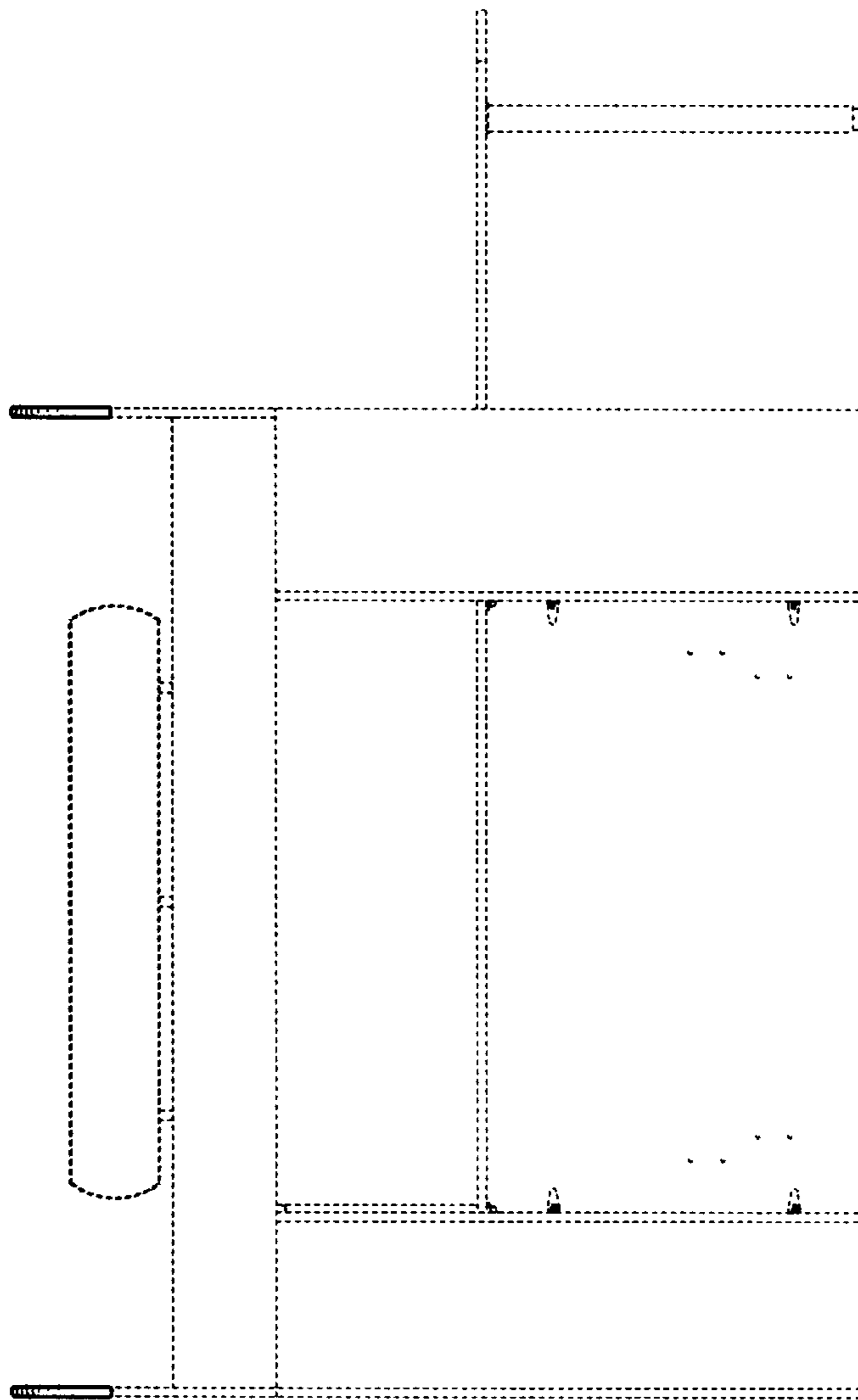


FIG. 26