



US00D440438S

(12) **United States Design Patent**  
**Chen**

(10) **Patent No.:** **US D440,438 S**

(45) **Date of Patent:** **\*\* Apr. 17, 2001**

(54) **ARMREST FOR CHAIRS**

D. 410,159 \* 5/1999 Wu ..... D6/501

(76) **Inventor:** **Su-Jan Chen**, P.O. Box 63-247,  
Taichung (TW)

\* cited by examiner

(\*\*) **Term:** **14 Years**

*Primary Examiner*—Gary D. Watson  
(74) *Attorney, Agent, or Firm*—Alan Kamrath; Rider  
Bennett Egan & Arundel, LLP.

(21) **Appl. No.:** **29/126,293**

(57) **CLAIM**

(22) **Filed:** **Jul. 12, 2000**

The ornamental design for armrest for chairs, as shown and described.

(51) **LOC (7) Cl.** ..... **06-06**

(52) **U.S. Cl.** ..... **D6/501; D6/366**

(58) **Field of Search** ..... D6/334, 364, 365,  
D6/366, 367, 379, 500, 501, 502; 297/411.2,  
411.27, 411.28

**DESCRIPTION**

FIG. 1 is a perspective view of a armrest for chairs showing my new design;

FIG. 2 is a front elevational view thereof;

FIG. 3 is a rear elevational view thereof;

FIG. 4 is a left elevational view thereof;

FIG. 5 is a right elevational view thereof;

FIG. 6 is a top plan view thereof; and,

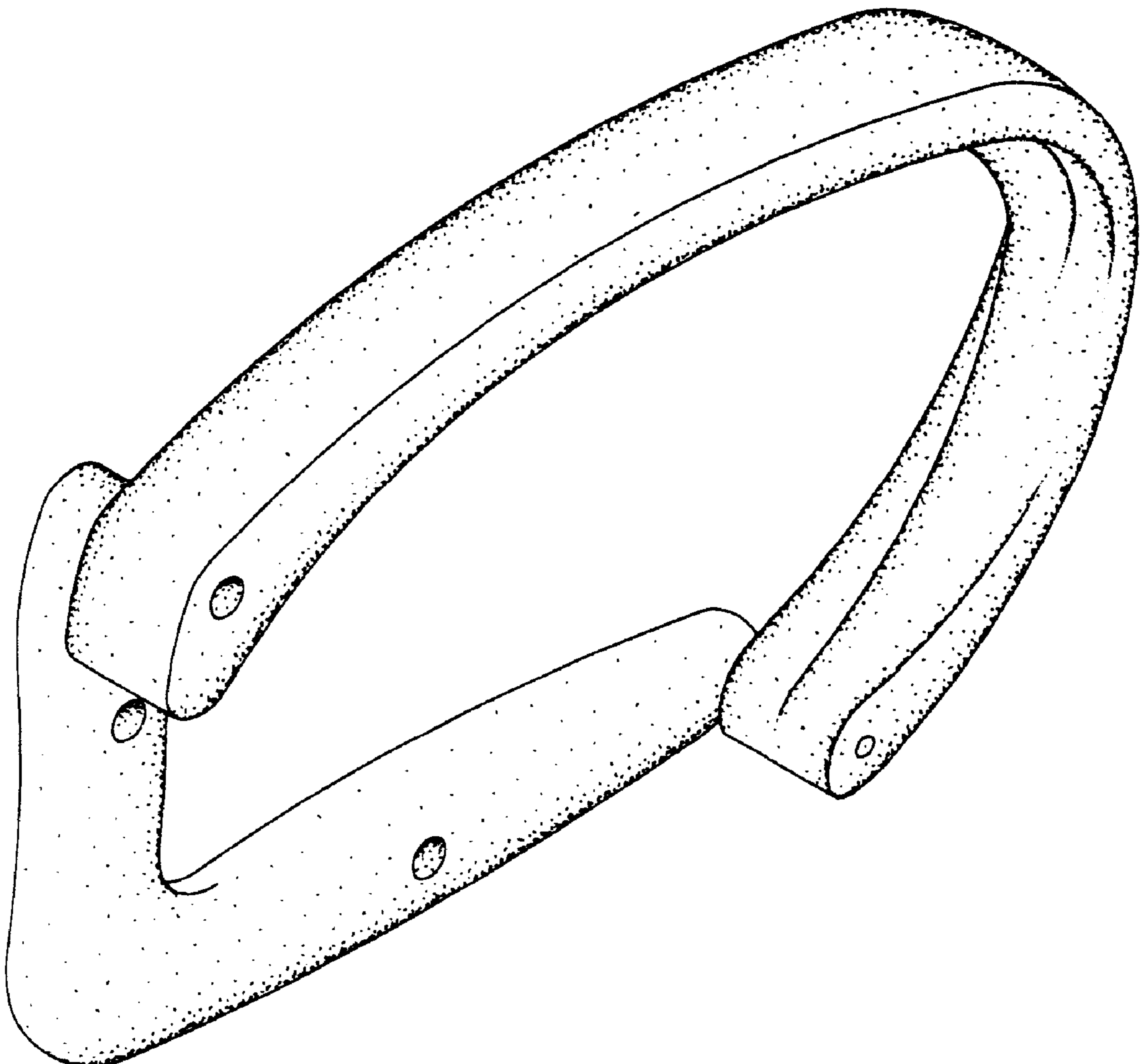
FIG. 7 is bottom plan view thereof.

(56) **References Cited**

**U.S. PATENT DOCUMENTS**

- D. 366,792 \* 2/1996 McDiarmid ..... D6/501
- D. 382,738 \* 8/1997 Chen ..... D6/501
- D. 408,182 \* 4/1999 Tseng ..... D6/501

**1 Claim, 4 Drawing Sheets**



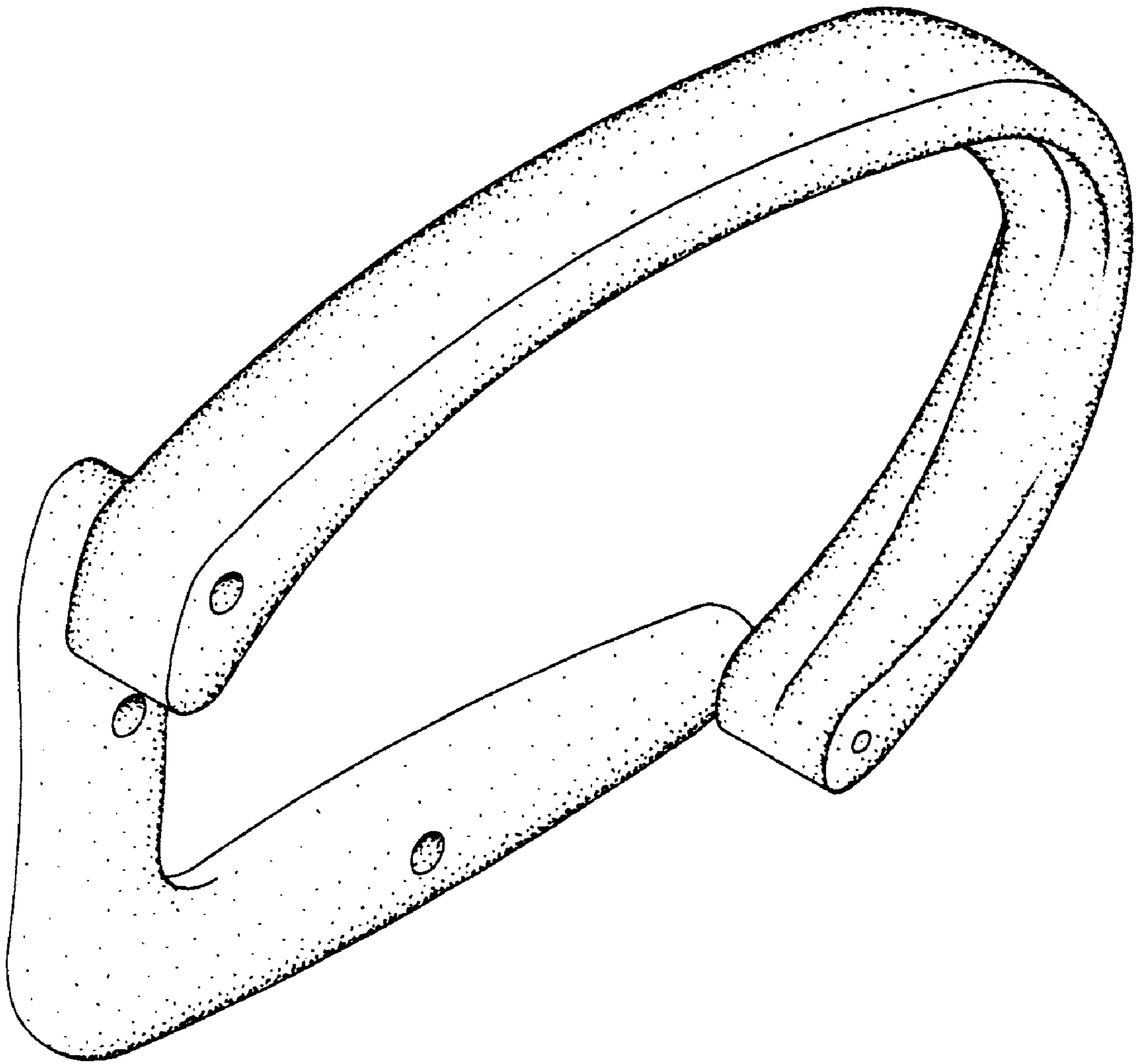


Fig. 1

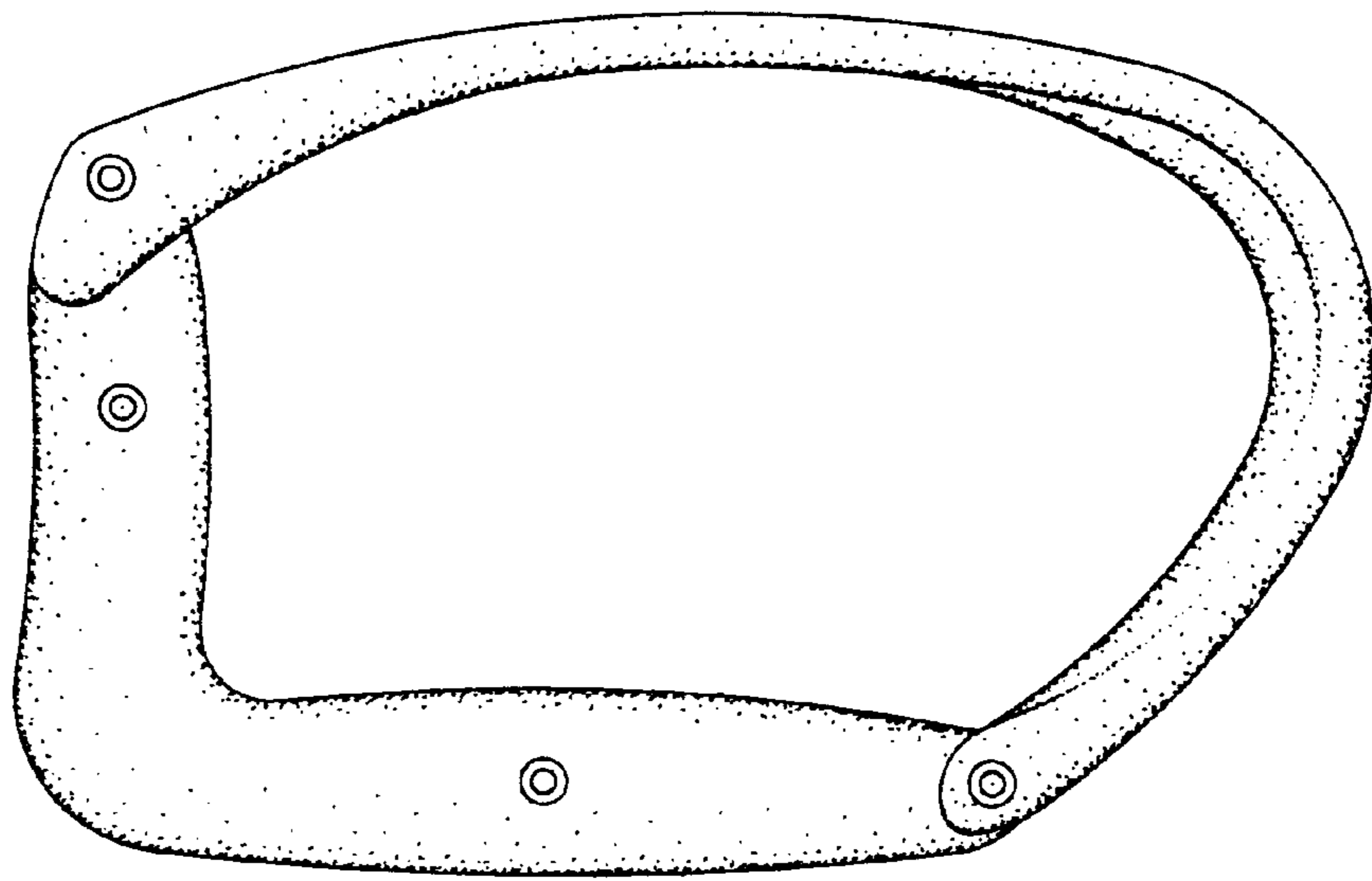


Fig. 2

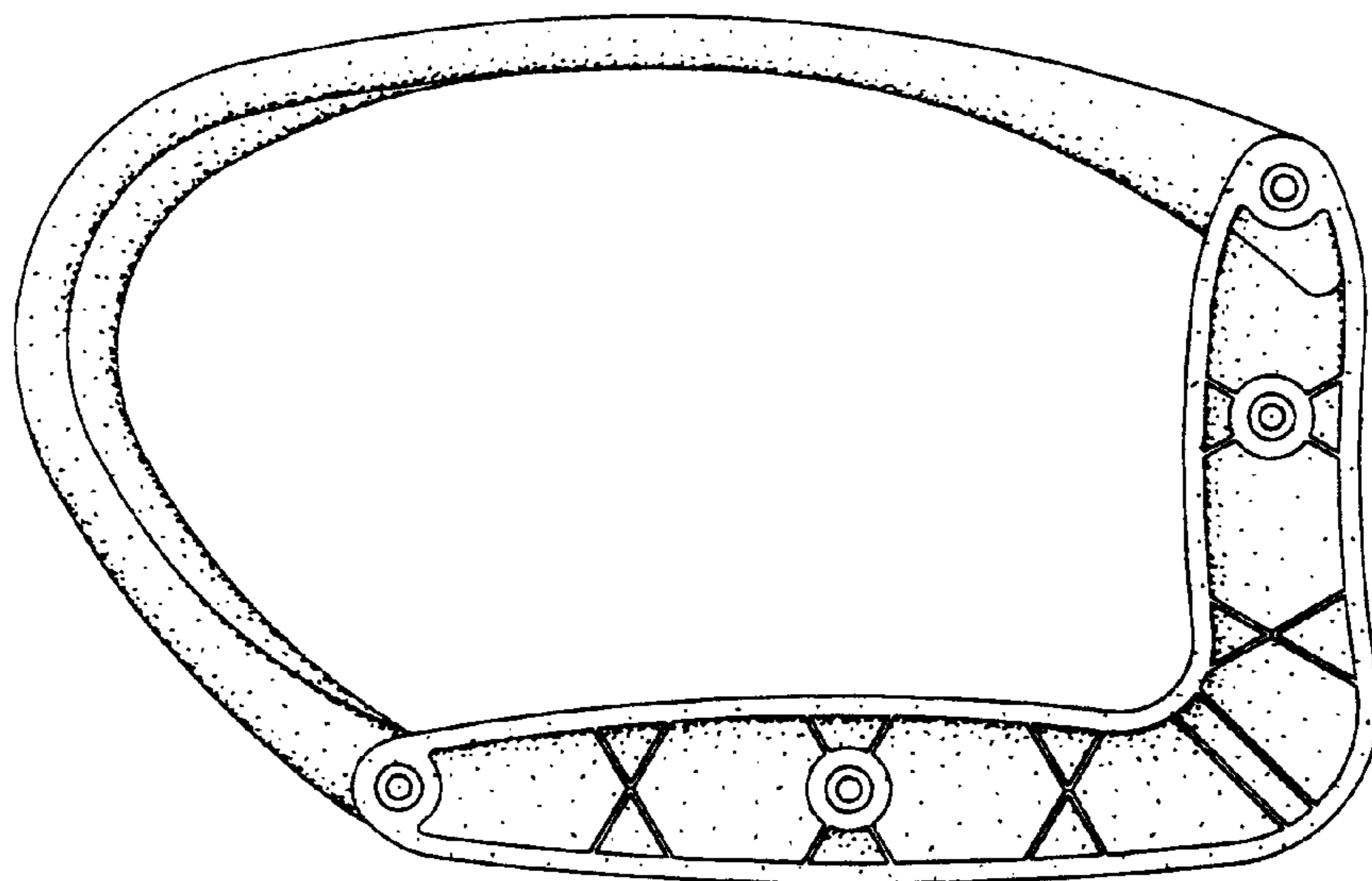


Fig. 3

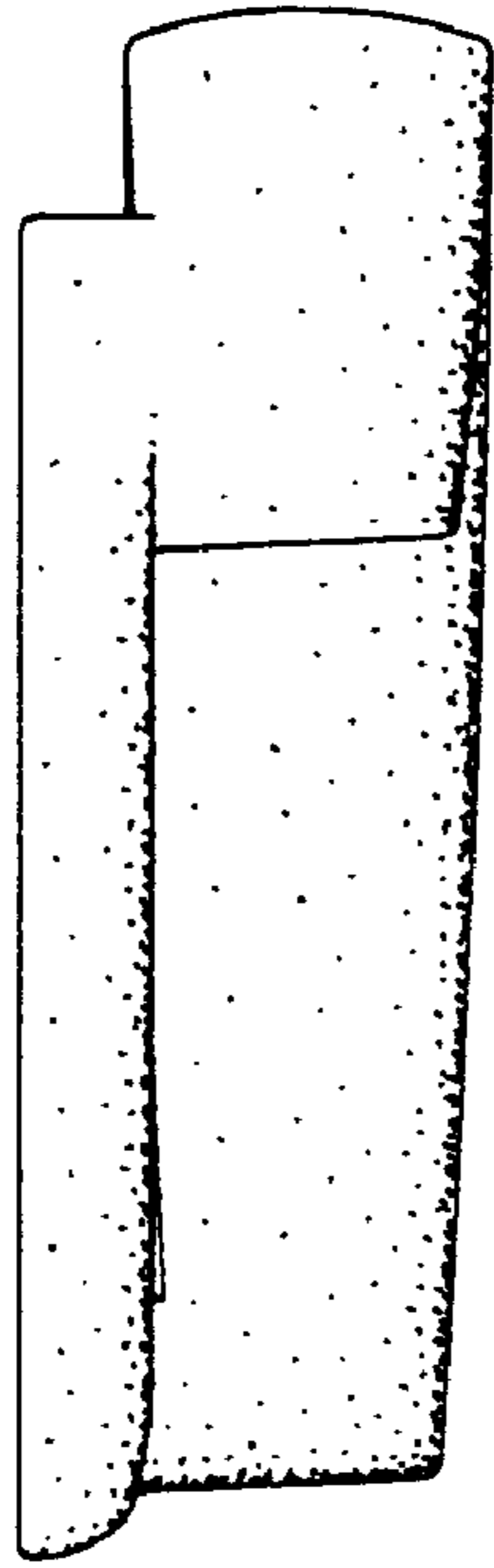


Fig. 4

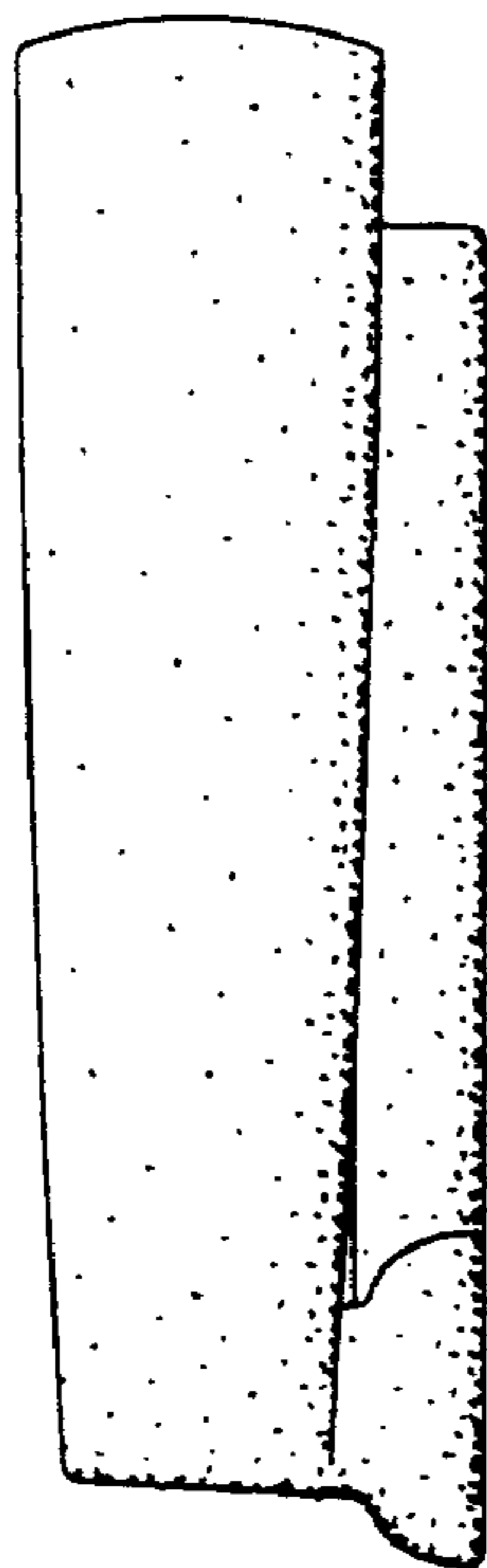


Fig. 5

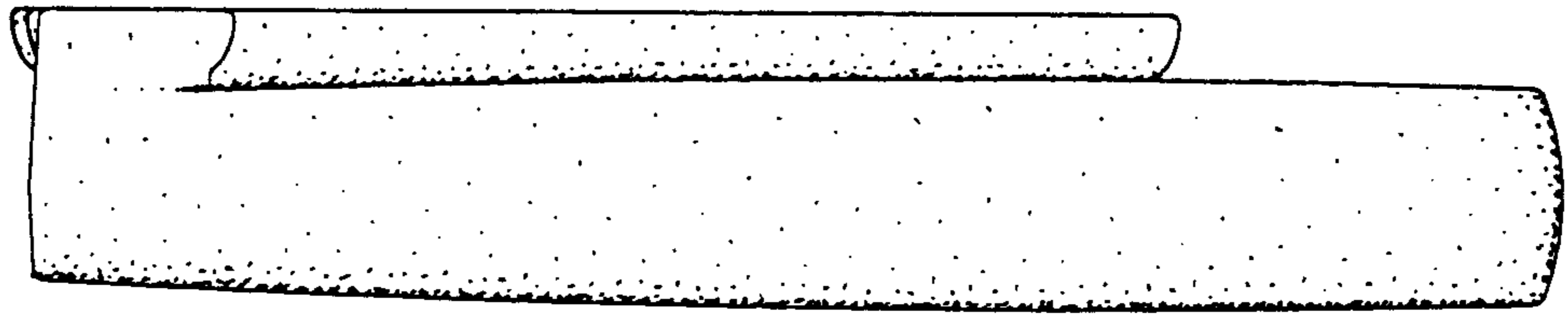


Fig. 6

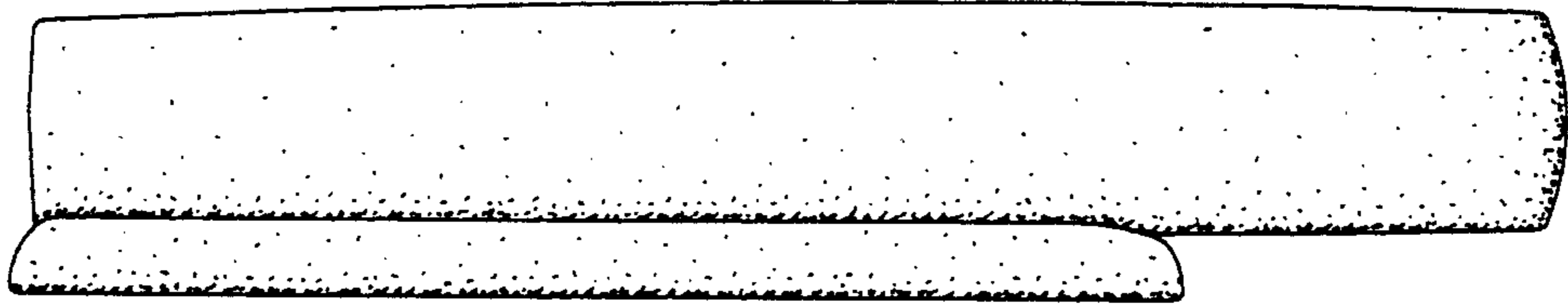


Fig. 7