



US00D440437S

(12) **United States Design Patent**
Beaulieu

(10) **Patent No.:** **US D440,437 S**

(45) **Date of Patent:** **** Apr. 17, 2001**

(54) **ARM FOR A CHAIR**

(75) **Inventor:** **Jocelyn Beaulieu, Newmarket (CA)**

(73) **Assignee:** **Global Total Office, Downsview (CA)**

(**) **Term:** **14 Years**

(21) **Appl. No.:** **29/124,762**

(22) **Filed:** **Jun. 12, 2000**

(30) **Foreign Application Priority Data**

Jun. 2, 2000 (CA) 2000-1432

(51) **LOC (7) Cl.** **06-06**

(52) **U.S. Cl.** **D6/501; D6/366**

(58) **Field of Search** D6/334, 364, 365,
D6/366, 367, 379, 500, 501, 502; 297/411.2,
411.27, 411.36

(56) **References Cited**

U.S. PATENT DOCUMENTS

- D. 367,980 * 3/1996 Hodge et al. D6/500
- D. 374,778 10/1996 Tedesco et al. D6/366
- D. 383,932 * 9/1997 Nemeth, Jr. D6/501
- D. 384,510 10/1997 Tedesco et al. D6/366
- D. 393,384 4/1998 Tedesco et al. D5/501

- D. 407,246 * 3/1999 Stumpf D6/501
- D. 410,151 5/1999 Chu D6/366
- 5,346,284 * 9/1994 Dauphin 297/411.36

FOREIGN PATENT DOCUMENTS

70808 6/1992 (CA) .

* cited by examiner

Primary Examiner—Gary D. Watson

(74) *Attorney, Agent, or Firm*—Philip C. Mendes da Costa;
Bereskin & Parr

(57) **CLAIM**

The ornamental Design for an arm for a chair, as shown and described.

DESCRIPTION

FIG. 1 is a perspective view from the front and to one side of the arm.

FIG. 2 is a side elevational view of the arm of FIG. 1.

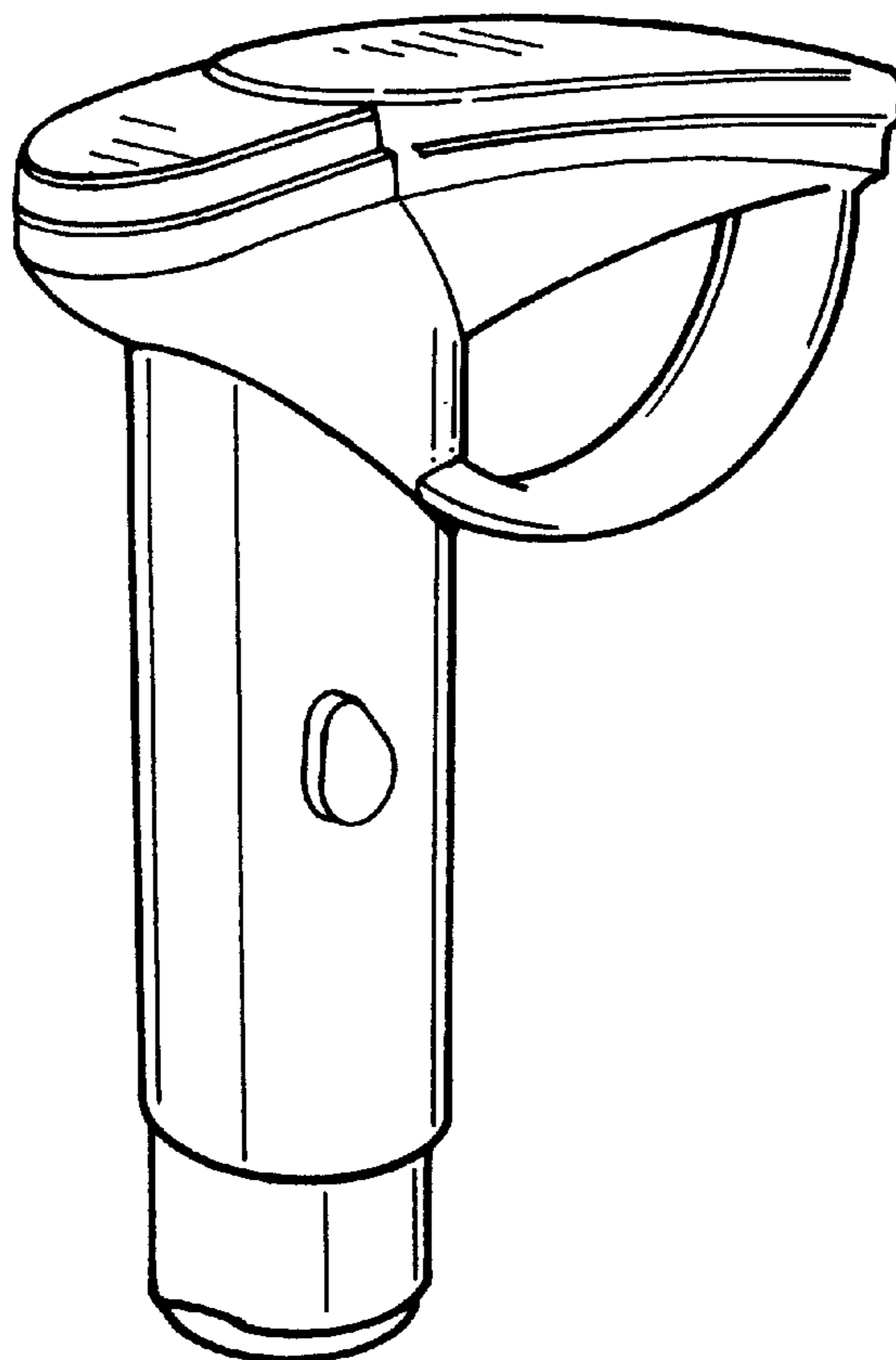
FIG. 3 is a front elevational view of the arm of FIG. 1.

FIG. 4 is a rear elevational view of the arm of FIG. 1.

FIG. 5 is a top plan view of the arm of FIG. 1; and,

FIG. 6 is a side elevational view of the other side of the arm to that shown in FIG. 2.

1 Claim, 1 Drawing Sheet



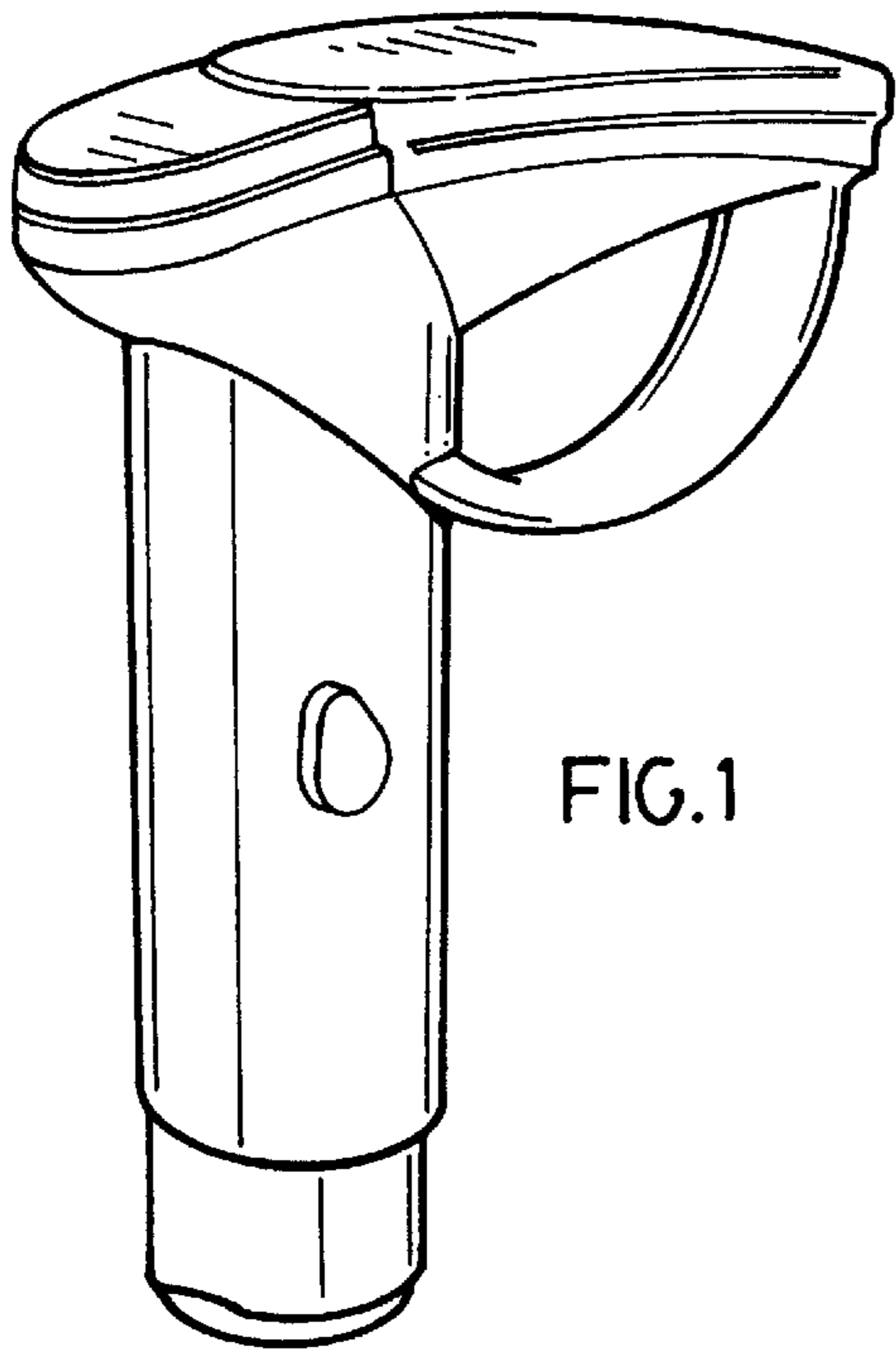


FIG. 1

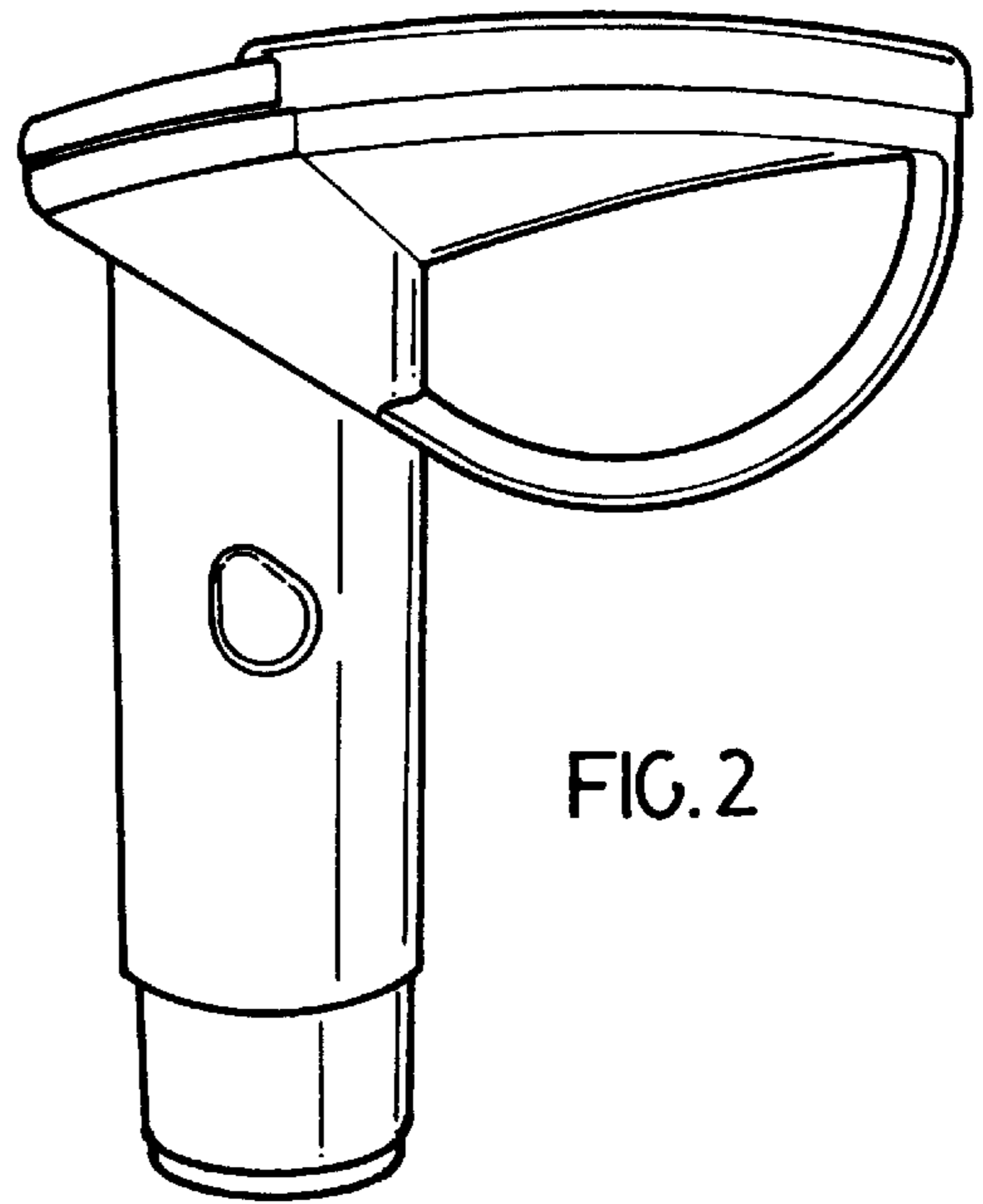


FIG. 2

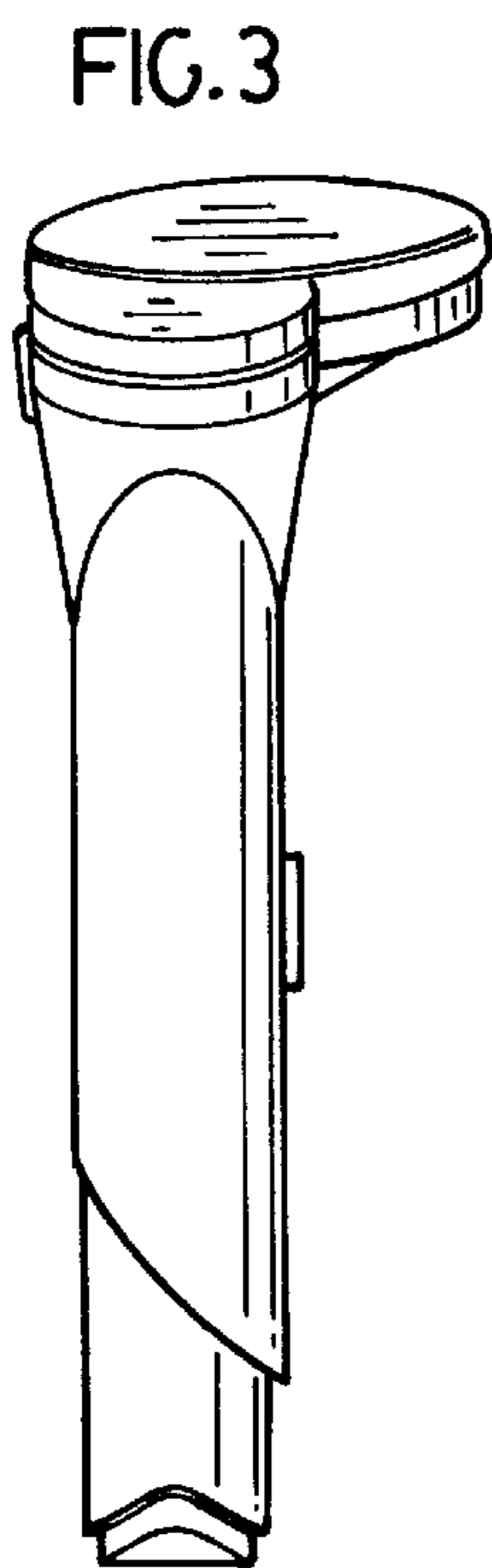


FIG. 3

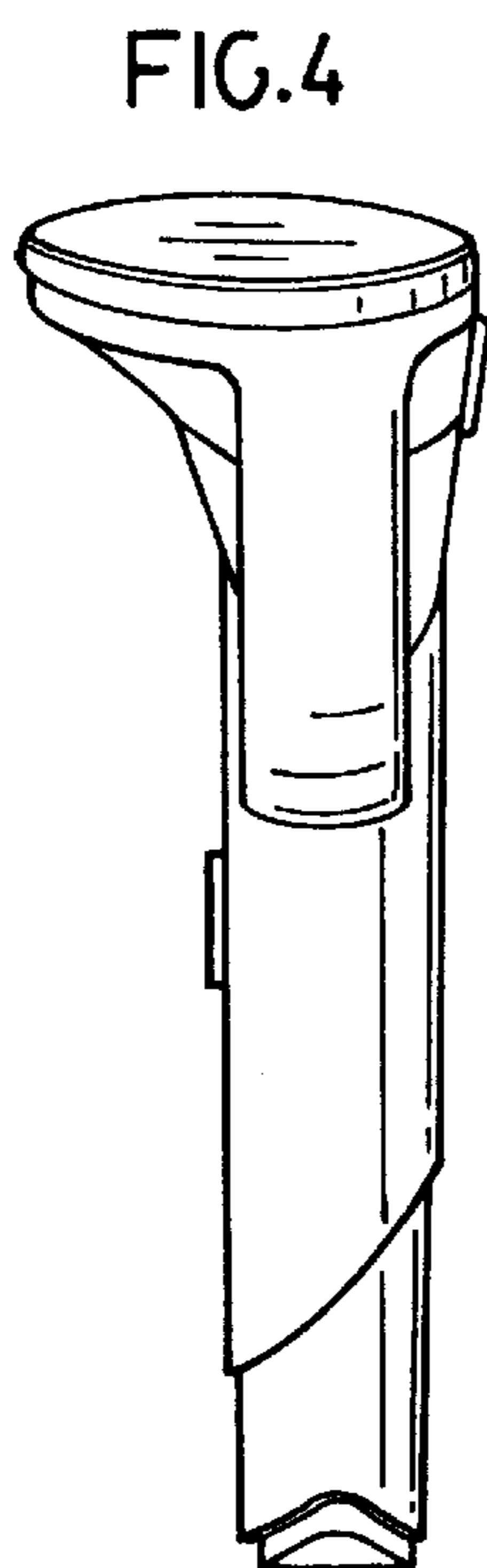


FIG. 4

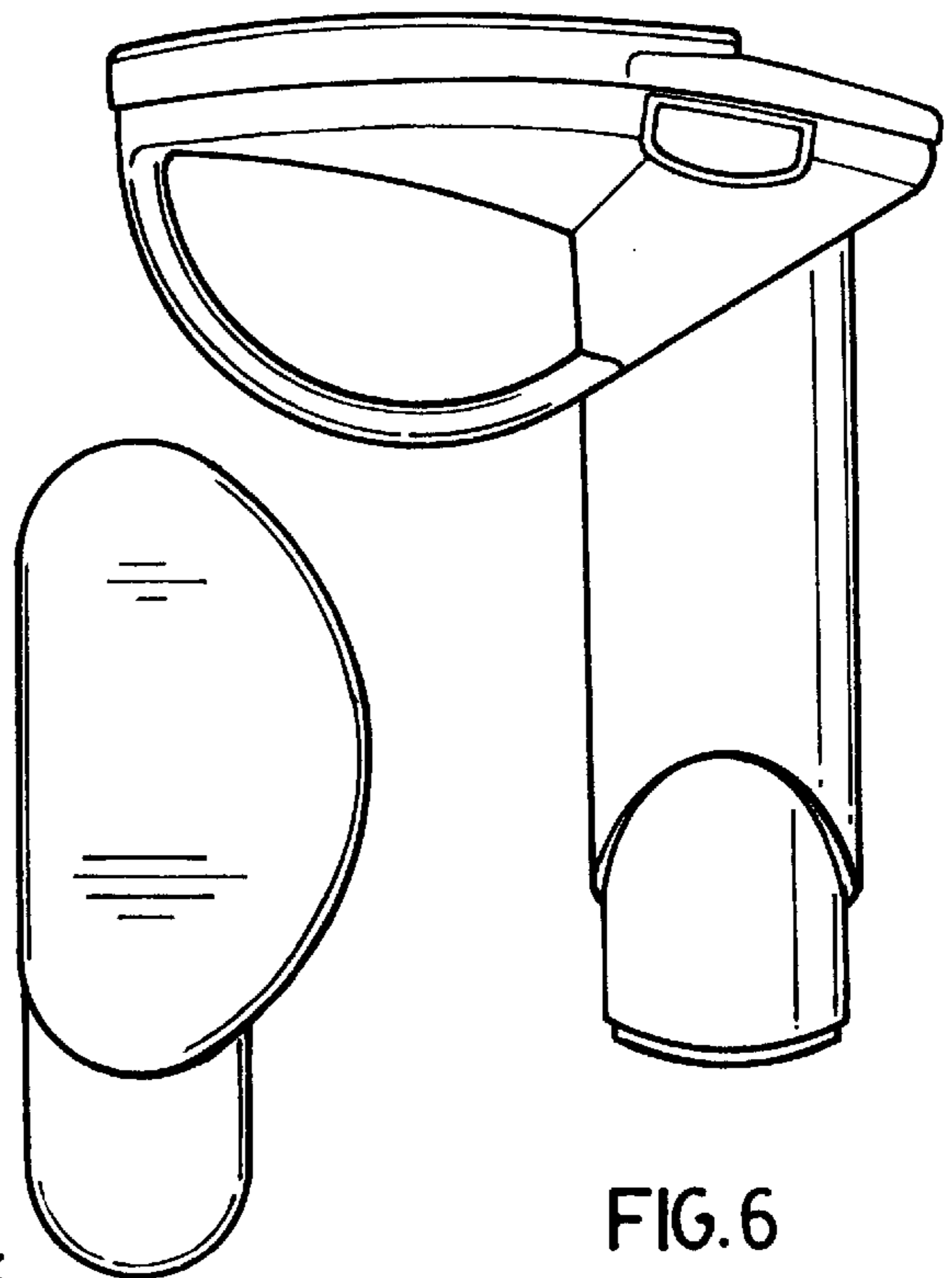


FIG. 5

FIG. 6