



US00D440432S

(12) **United States Design Patent**
Topper et al.

(10) **Patent No.:** **US D440,432 S**

(45) **Date of Patent:** **** Apr. 17, 2001**

(54) **MODULAR MERCHANDISER**

(75) Inventors: **Robert T. Topper**, Heber Springs;
Thomas W. Rand, Conway; **William E. Zellner**, Conway; **Ronald E. Luyet**, Conway, all of AR (US); **Greg Arhart**; **Brad Ritner**, both of Seattle, WA (US)

(73) Assignee: **Carrier Corporation**, Farmington, CT (US)

(**) Term: **14 Years**

(21) Appl. No.: **29/111,829**

(22) Filed: **Oct. 5, 1999**

(51) **LOC (7) Cl.** **06-04**

(52) **U.S. Cl.** **D6/471; D6/474; D6/475**

(58) **Field of Search** D6/329, 396, 397, D6/449, 470, 472, 474, 481, 437, 441, 448, 475; D15/79, 81-83; 312/114, 116, 138.1, 401; 220/DIG. 8; 62/246, 251

1,012,965	12/1911	Bachrach .	
1,751,285	*	3/1930 Malling	211/153
2,211,113		8/1940 Hall .	
2,735,739	*	2/1956 Patriarca	312/31
2,888,811	*	6/1959 Margrave	62/255
2,994,572		8/1961 Morrison .	
3,729,243		4/1973 Musgrave et al. .	
3,730,603		5/1973 Looms .	
4,270,819		6/1981 Ooho .	
5,112,118		5/1992 Wiehle .	
5,116,274		5/1992 Artwohl et al. .	
5,622,414		4/1997 Artwohl et al. .	
5,639,149		6/1997 Grassmuck .	
5,803,560		9/1998 Trulaske, Sr. et al. .	

* cited by examiner

Primary Examiner—Mitchell Siegel

Assistant Examiner—C. Tuttle

(74) *Attorney, Agent, or Firm*—Pearne & Gordon LLP

(57) **CLAIM**

The ornamental design for a modular merchandiser, as shown and described.

DESCRIPTION

FIG. 1 is a perspective view of a modular merchandiser, showing our new design.

FIG. 2 is a front elevational view thereof.

FIG. 3 is a top plan view thereof.

FIG. 4 is a side elevational view thereof, the other side being a mirror image; and,

FIG. 5 is a rear elevational view thereof.

The surface(s) of portion(s) of the article not shown in the drawing or described in the specification form(s) no part of the claimed design.

(56) **References Cited**

U.S. PATENT DOCUMENTS

D. 114,185	4/1939	Hoffman .	
D. 129,796	*	10/1941 Belshaw	D6/436
D. 141,385	*	5/1945 Romadka	D6/470
D. 145,136	*	7/1946 Hoffman	D6/470
D. 146,558	*	4/1947 Davis	D6/438
D. 147,622	*	10/1947 Rideout	D6/470
D. 180,072	*	4/1957 Dickson et al.	D6/474
D. 209,722	*	12/1967 Mangini	D6/471
D. 294,315	*	2/1988 Jakubowski	D6/472
356,858	2/1887	Towson .	
470,673	3/1892	Heath .	

1 Claim, 3 Drawing Sheets

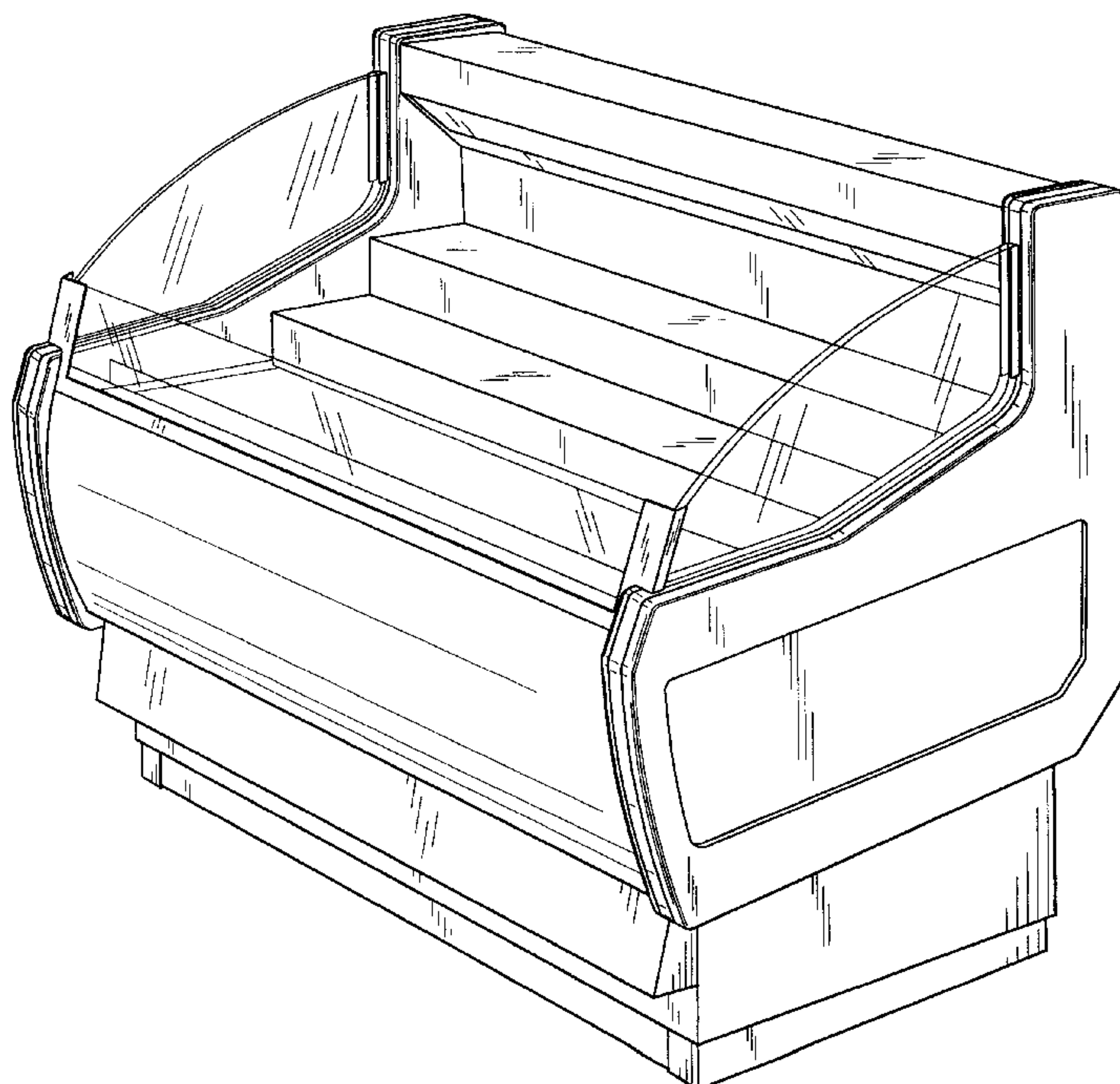
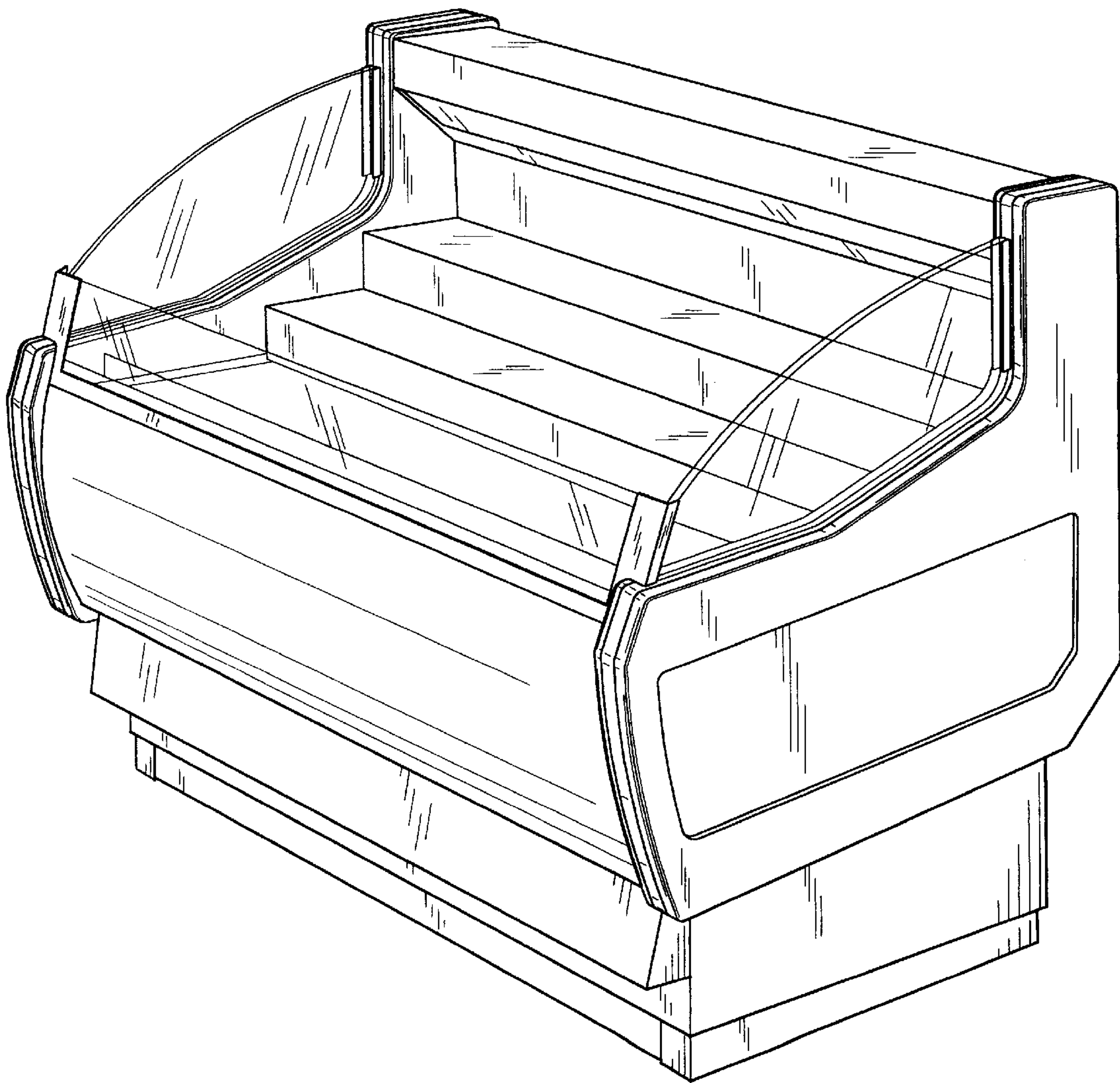


FIG. 1



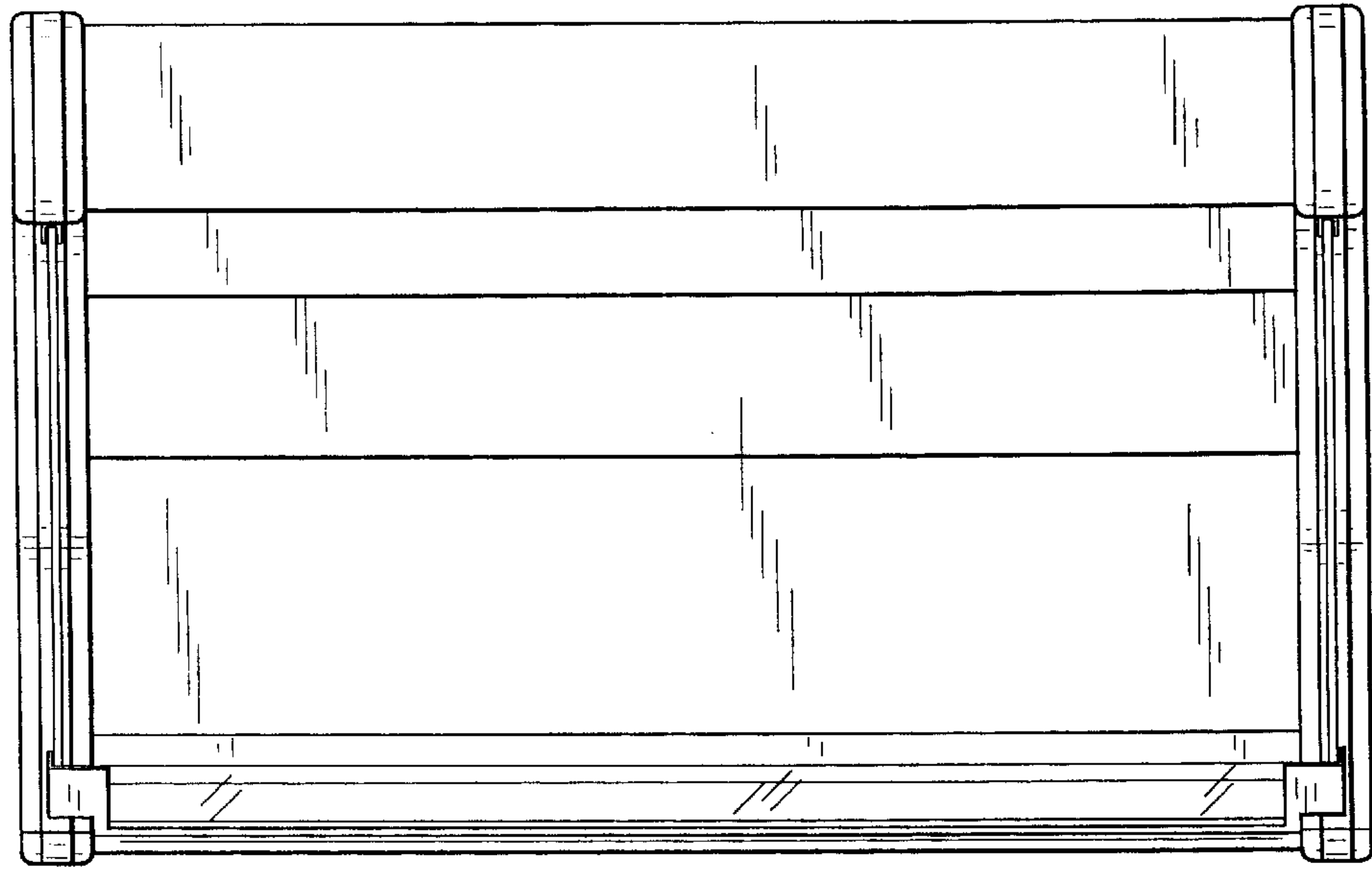


FIG. 3

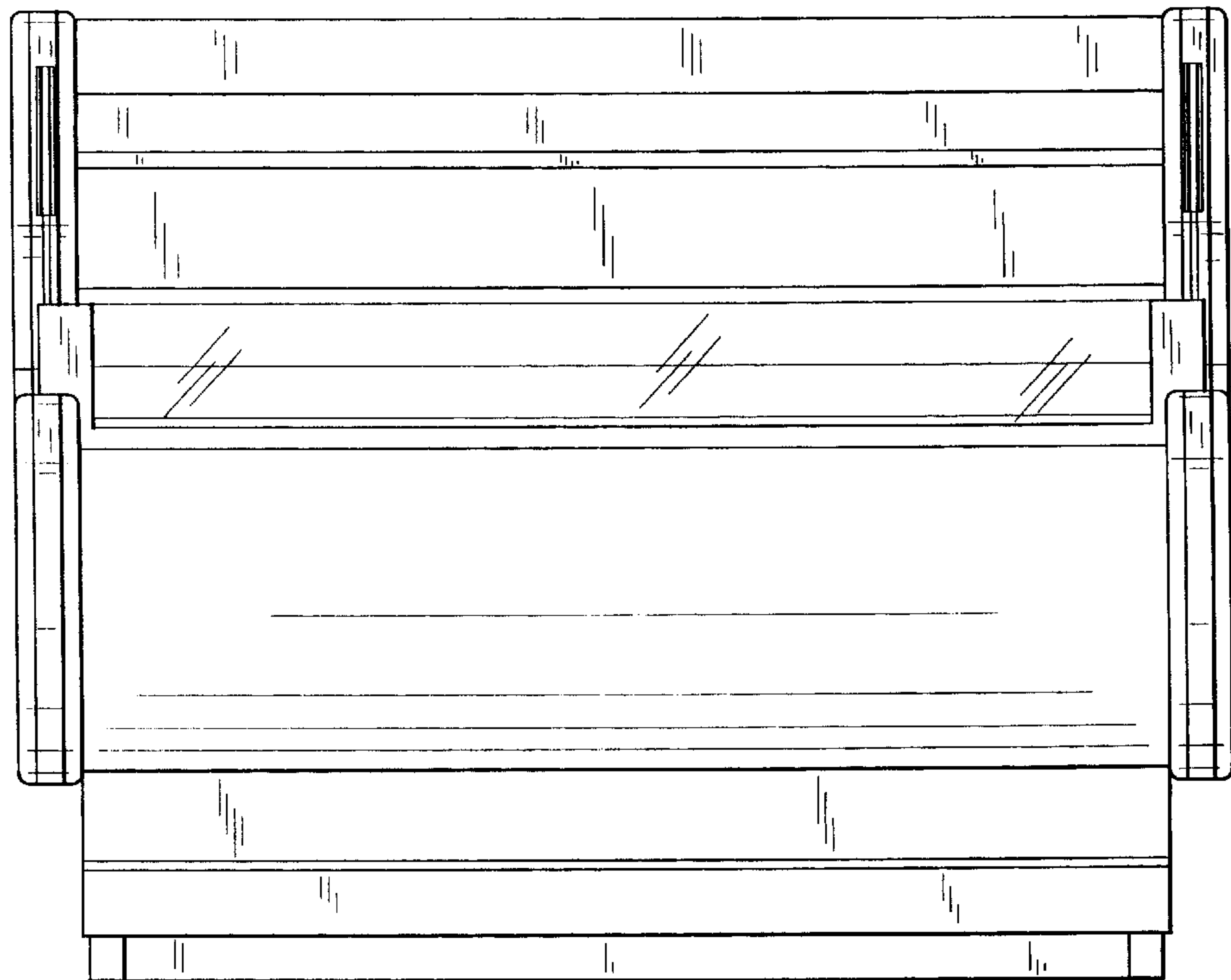


FIG. 2

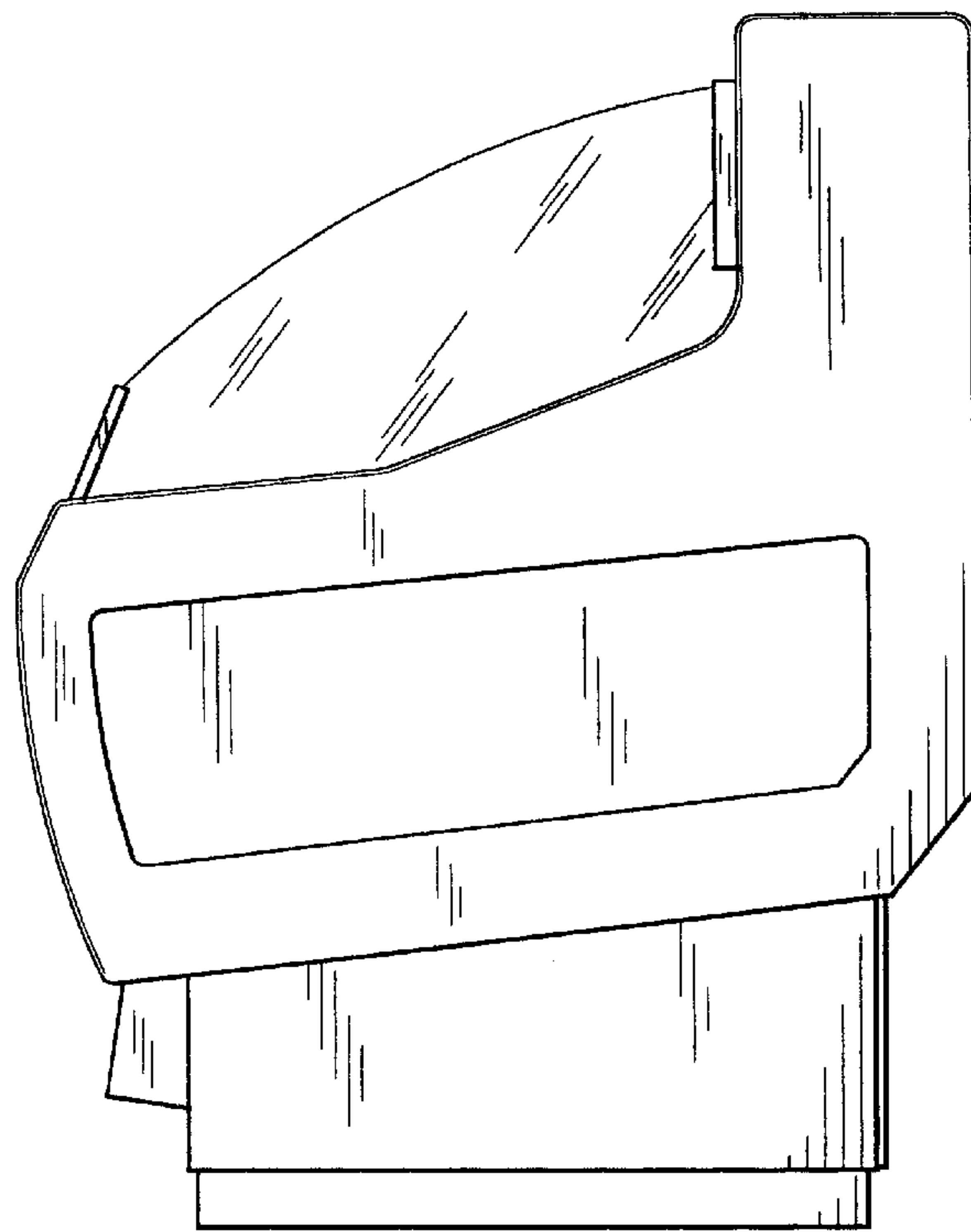


FIG. 4

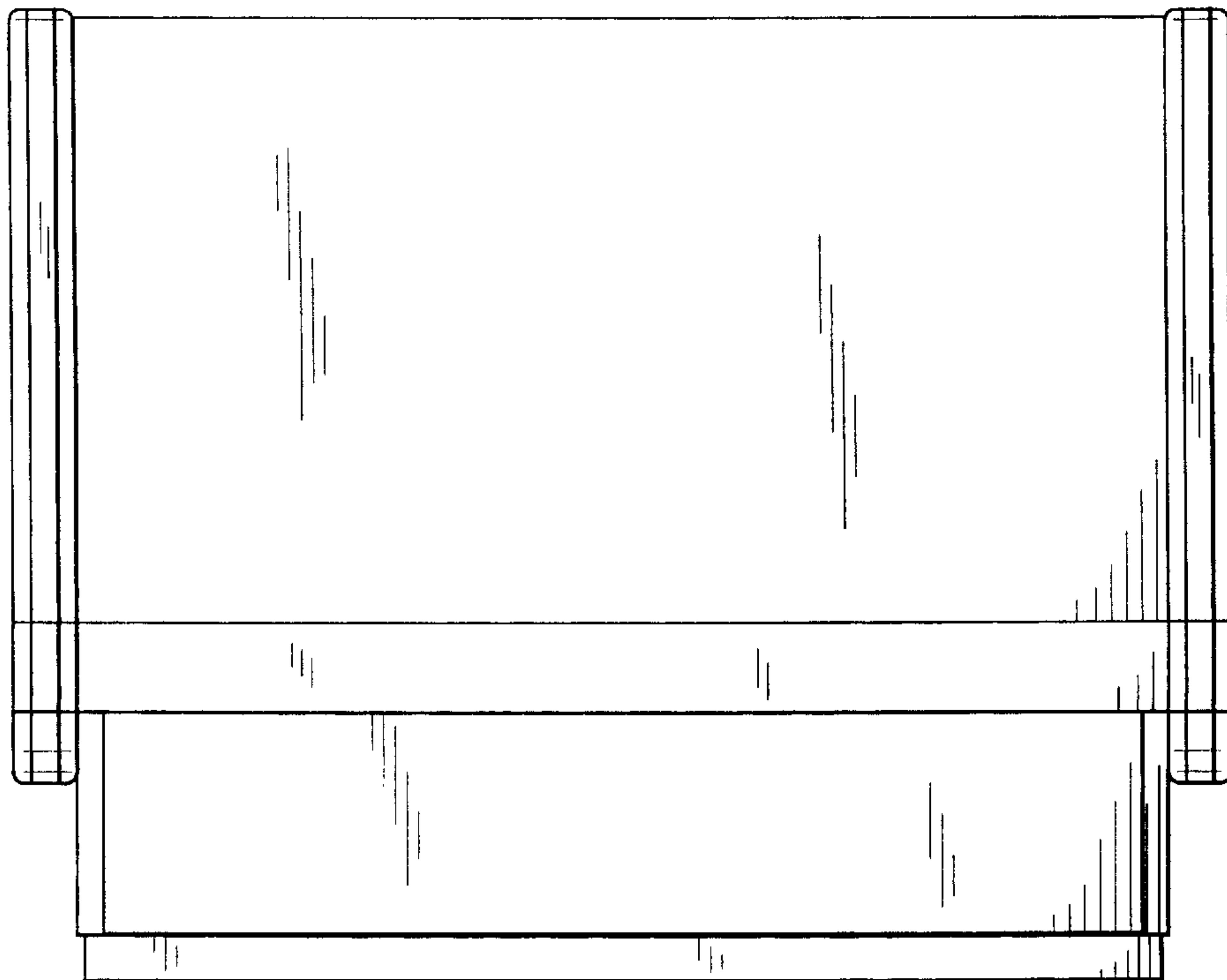


FIG. 5