



US00D440429S

(12) **United States Design Patent**
Wales et al.

(10) **Patent No.:** **US D440,429 S**

(45) **Date of Patent:** **** Apr. 17, 2001**

(54) **KEEPSAKE STORAGE CABINET**

(75) Inventors: **Linda S. Wales**, 169 Athens Ave.,
Clovis, CA (US) 93611; **Bradley J. Wales**, Clovis, CA (US)

(73) Assignee: **Linda S. Wales**, Clovis, CA (US)

(**) Term: **14 Years**

(21) Appl. No.: **29/115,254**

(22) Filed: **Dec. 9, 1999**

(51) **LOC (7) Cl.** **06-04**

(52) **U.S. Cl.** **D6/446; D6/436**

(58) **Field of Search** D6/429, 430, 431,
D6/432, 440, 445, 446, 448; 312/204, 205,
240, 244

(56) **References Cited**

U.S. PATENT DOCUMENTS

D. 115,957	*	8/1939	Dillon	D6/430
D. 339,482	*	9/1993	Naylor	D6/429
D. 367,383	*	2/1996	Hatrack-Smith	D6/470
D. 372,607	*	8/1996	Pallas	D6/445
D. 377,281	*	1/1997	McFarlane	D6/446
D. 413,742	*	9/1999	Borsani	D6/430
3,282,634		11/1966	Marcus	.	
4,212,392		7/1980	McKenzie	.	
4,344,660		8/1982	Molnar	.	
4,375,306		3/1983	Linder	.	

4,396,240	8/1983	Henson	.
4,502,742	3/1985	Neff	.
4,561,705	12/1985	Schafer	.
4,925,285	5/1990	Dowdell	.
5,769,516	6/1998	Aguilera	.

* cited by examiner

Primary Examiner—Cathron Brooks

(74) *Attorney, Agent, or Firm*—Richard A. Ryan

(57) **CLAIM**

The ornamental design for a keepsake storage cabinet, as shown and described.

DESCRIPTION

FIG. 1 is a perspective view of a keepsake storage cabinet showing the design of the present invention with the cabinet shown in a partially opened position;

FIG. 2 is a front view thereof showing the cabinet in a fully opened position;

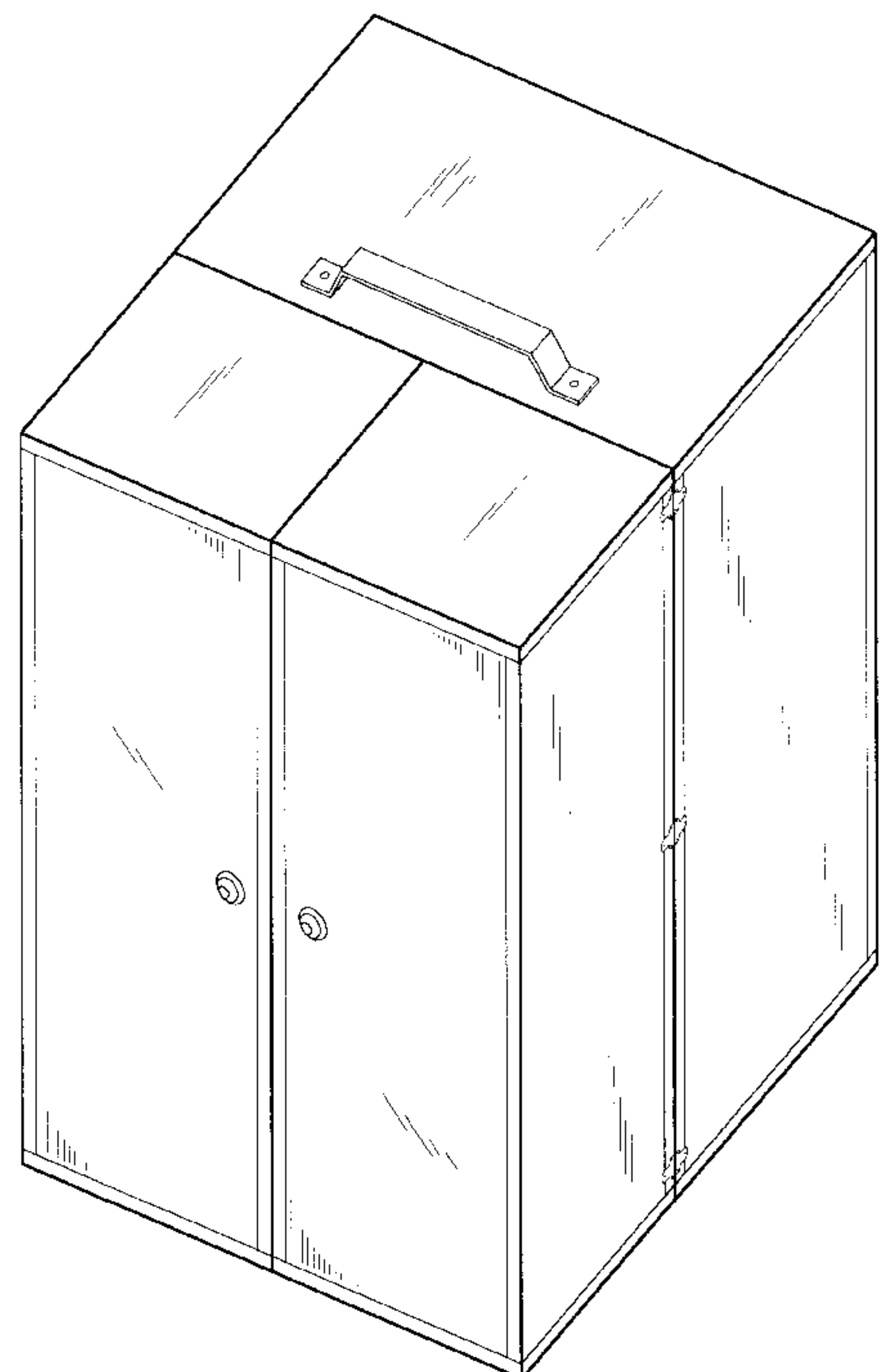
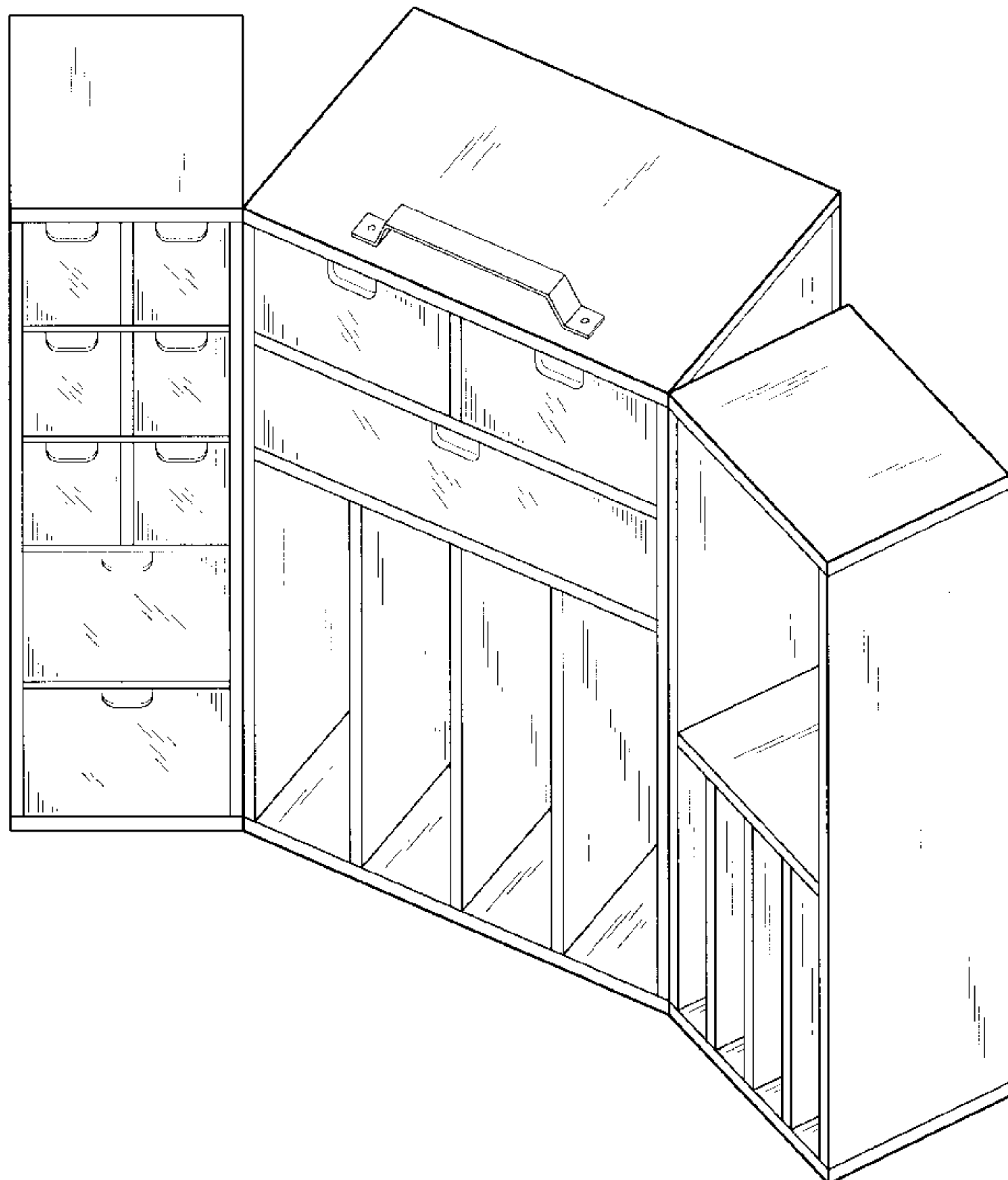
FIG. 3 is a top plan view thereof showing the cabinet in a fully opened position, the bottom plan view being the same except for the handle;

FIG. 4 is a back view thereof showing the cabinet in a fully opened position;

FIG. 5 is a side view thereof showing the cabinet in a fully opened position, the other side view being the same; and,

FIG. 6 is perspective view of the keepsake storage cabinet showing the cabinet in a closed condition.

1 Claim, 4 Drawing Sheets



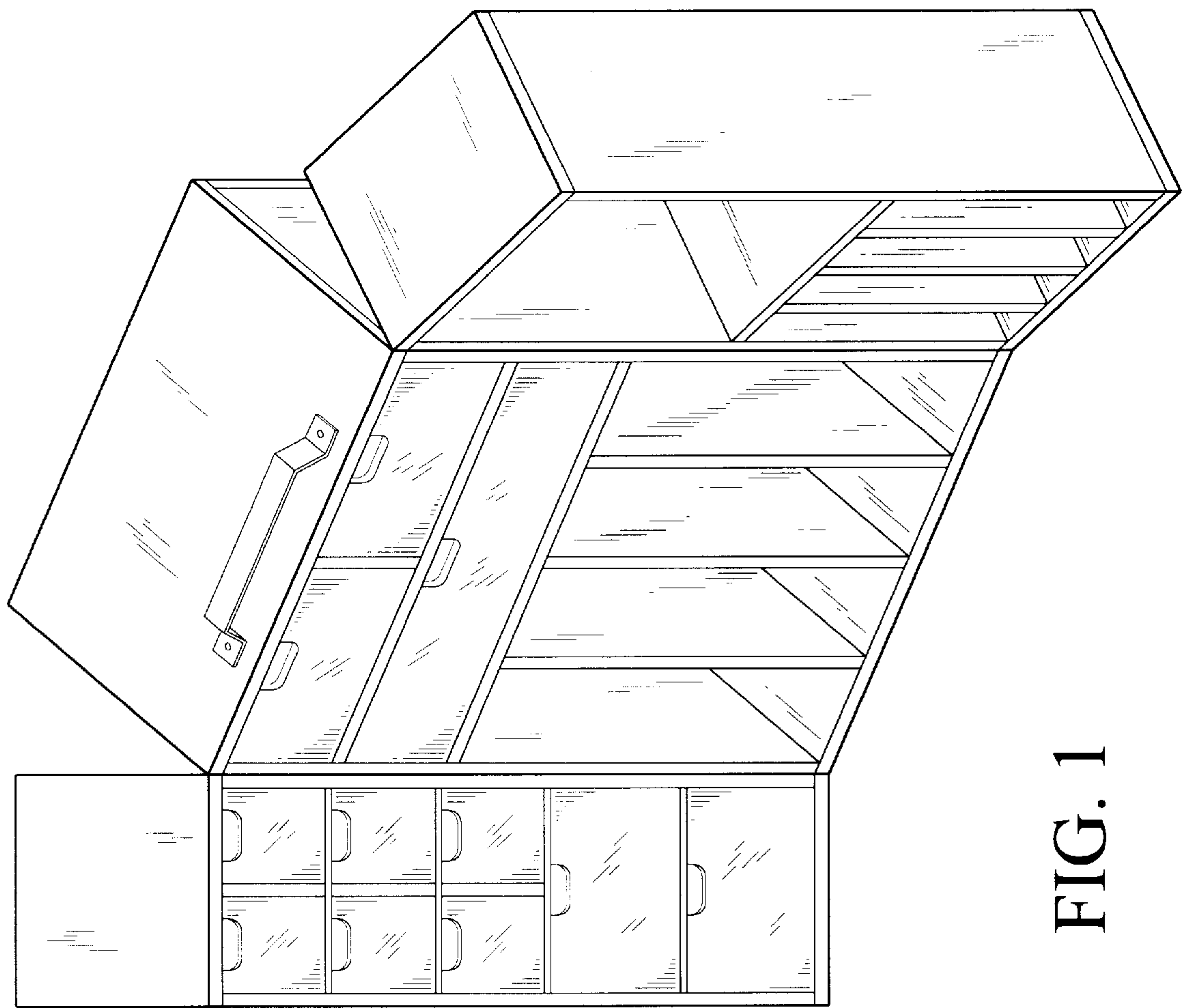


FIG. 1

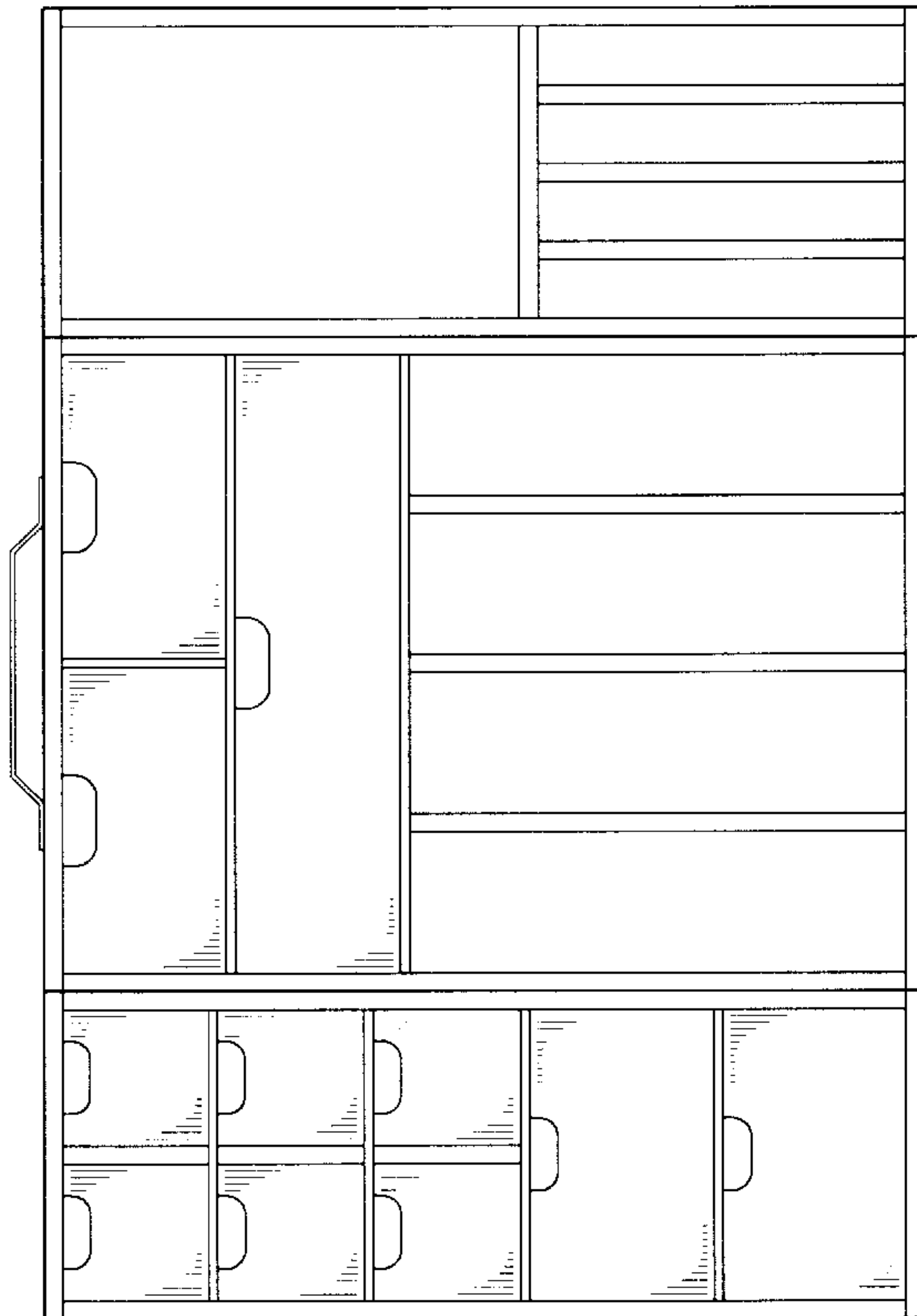


FIG. 2

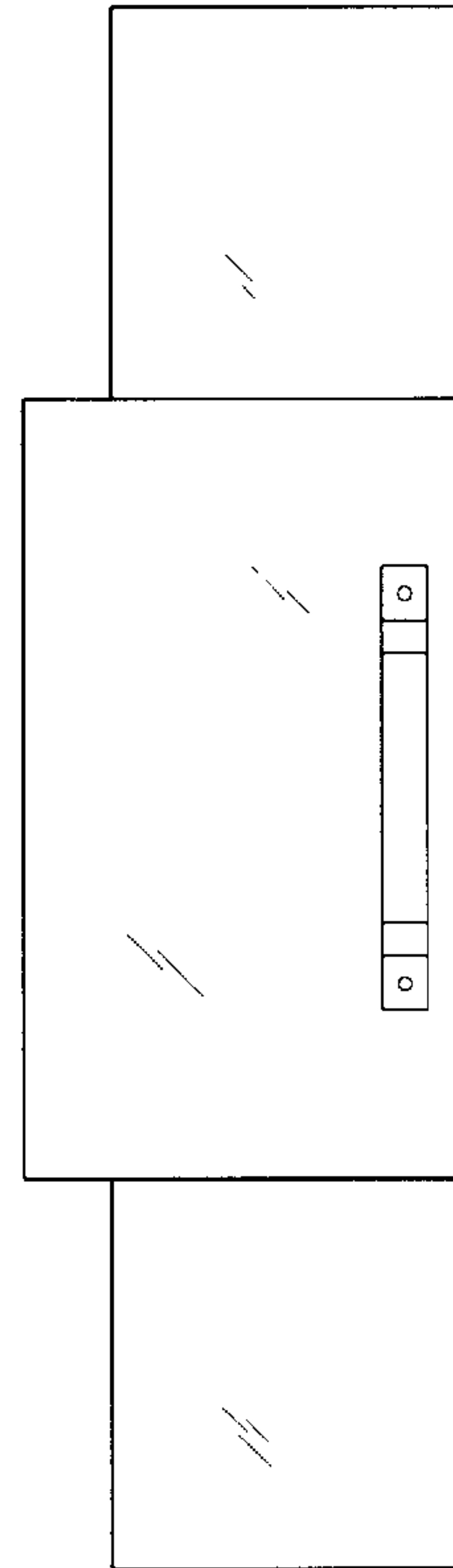


FIG. 3

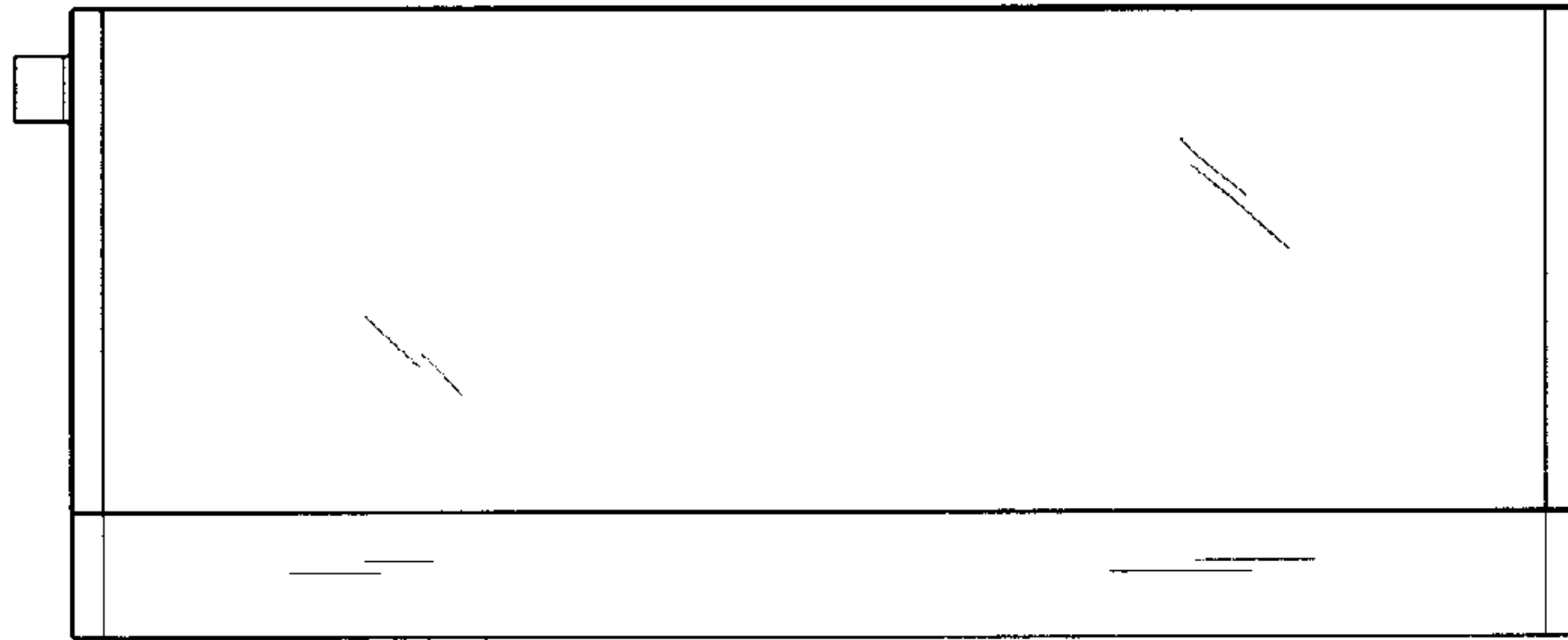


FIG. 5

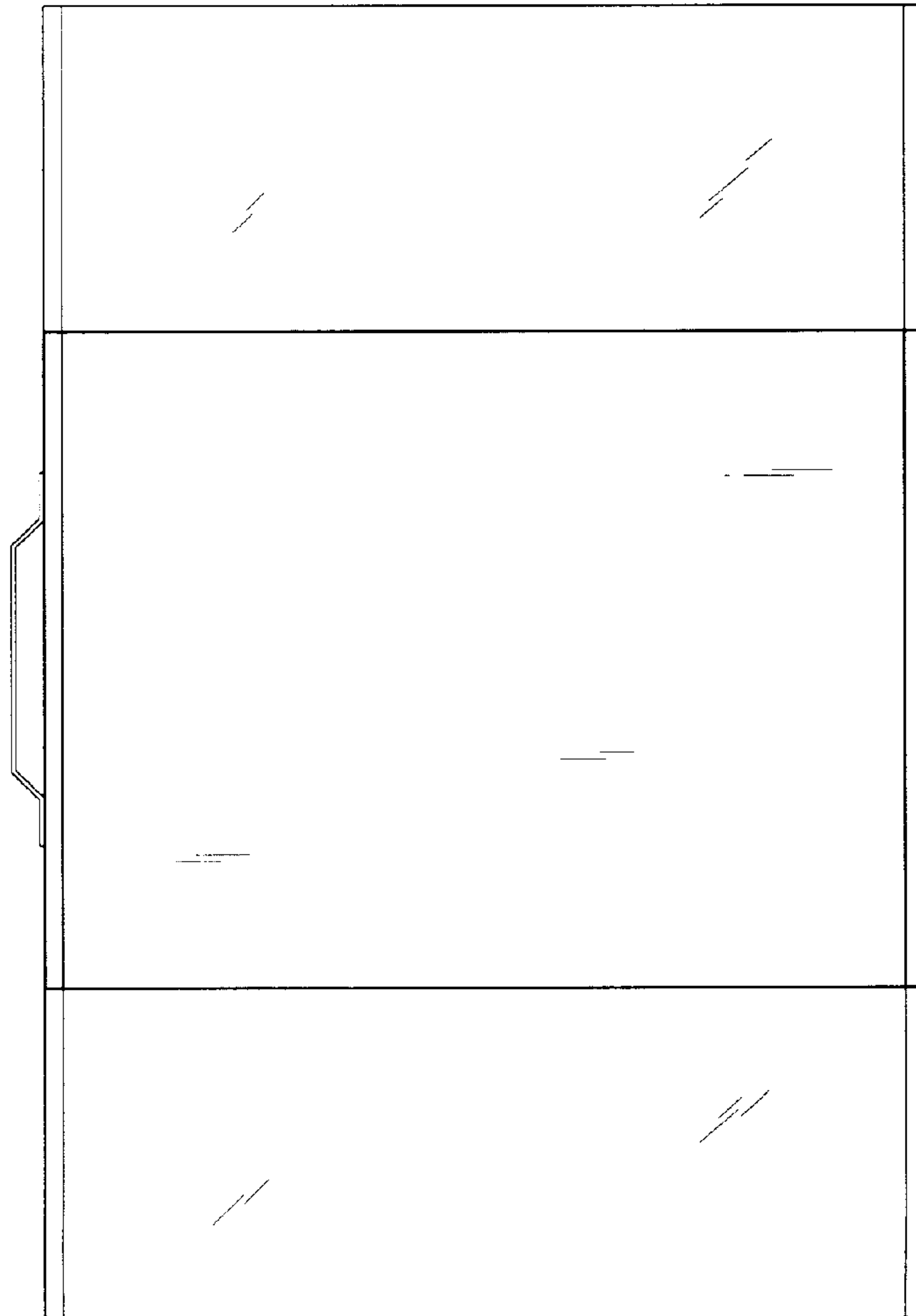


FIG. 4

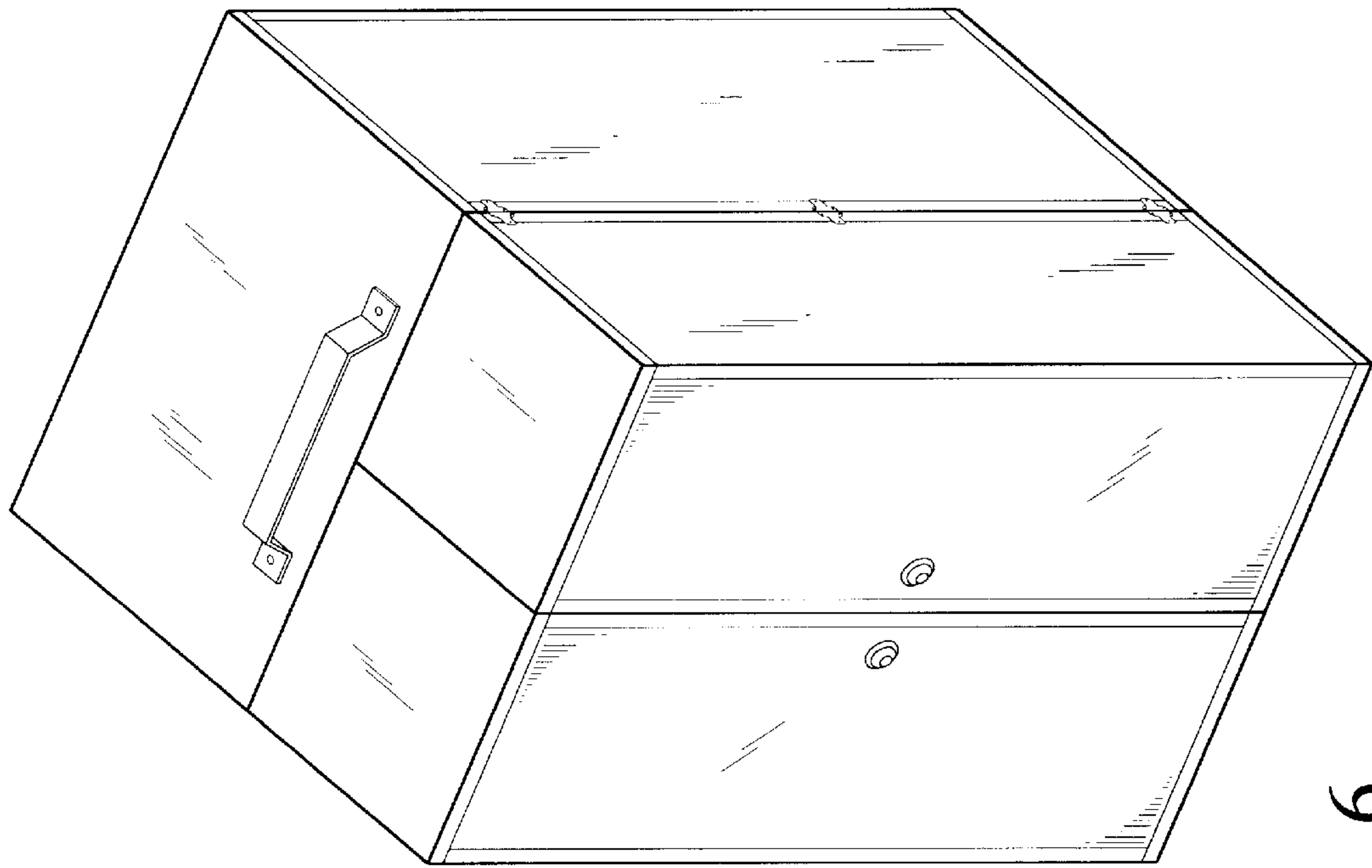


FIG. 6