



US00D440424S

(12) **United States Design Patent**
Goza

(10) **Patent No.:** **US D440,424 S**

(45) **Date of Patent:** **** Apr. 17, 2001**

(54) **RETRACTABLE DESK**

DESCRIPTION

(76) Inventor: **Roger Goza**, 14118 W. Cypress Forest Dr., Houston, TX (US) 77070

(**) Term: **14 Years**

(21) Appl. No.: **29/111,859**

(22) Filed: **Oct. 4, 1999**

(51) **LOC (7) Cl.** **06-04**

(52) **U.S. Cl.** **D6/425; D6/426**

(58) **Field of Search** D6/422, 425, 426, D6/428, 429, 430, 438, 439, 445, 555; 312/196, 204, 313, 314, 223.1, 223.3; 108/1, 6

(56) **References Cited**

U.S. PATENT DOCUMENTS

D. 182,833	*	5/1958	Lubberts et al.	D6/425
D. 250,868	*	1/1979	Ornatek	D6/445
D. 282,421	*	2/1986	Lewellen et al.	D6/425
D. 293,284	*	12/1987	Wright et al.	D6/425
D. 293,403	*	12/1987	Umanoff et al.	D6/555
D. 407,916	*	4/1999	Zaidman et al.	D6/397

* cited by examiner

Primary Examiner—Cathron Brooks

(74) *Attorney, Agent, or Firm*—Browning Bushman

(57) **CLAIM**

The ornamental design for a retractable desk, as shown and described.

FIG. 1 is a front elevational, perspective view of the retractable desk of the present invention with accompanying work surface opened;

FIG. 2 is a front elevational view thereof with accompanying work surface opened;

FIG. 3 is a right side elevational view thereof with accompanying work surface opened, the left side being a mirror image thereof;

FIG. 4 is a top plan view thereof with accompanying work surface opened;

FIG. 5 is a bottom plan view thereof with accompanying work surface opened;

FIG. 6 is a front elevational view thereof with accompanying work surface closed;

FIG. 7 is a right side elevational view thereof with accompanying work surface closed, the left side being a mirror image thereof;

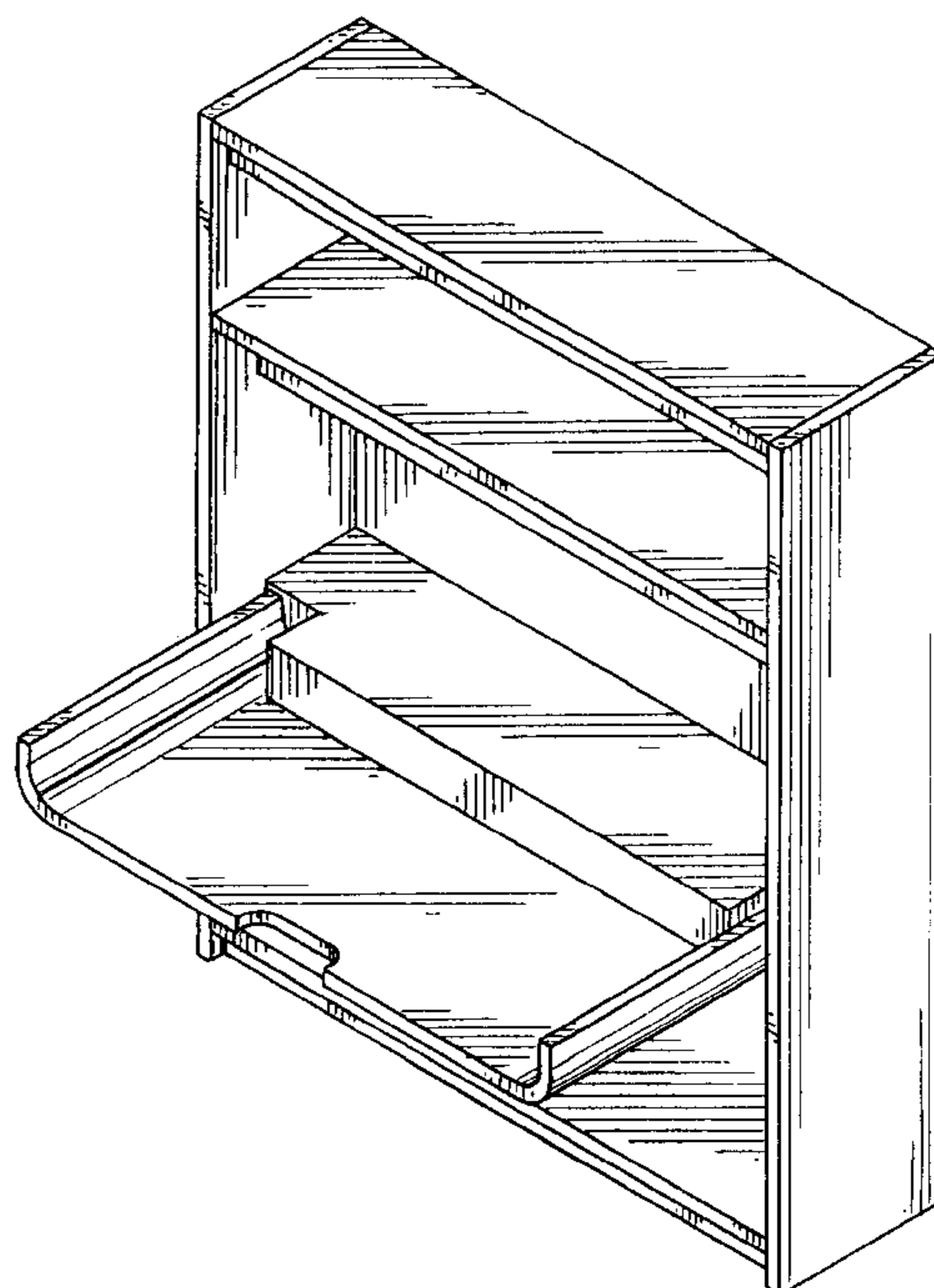
FIG. 8 is a top plan view thereof with accompanying work surface closed;

FIG. 9 is a bottom view thereof with accompanying work surface closed; and,

FIG. 10 is a bottom perspective view thereof with accompanying work surface opened.

The surface(s) or portion(s) of the article not shown in the drawing or described in the specification form(s) no part of the claimed design.

1 Claim, 3 Drawing Sheets



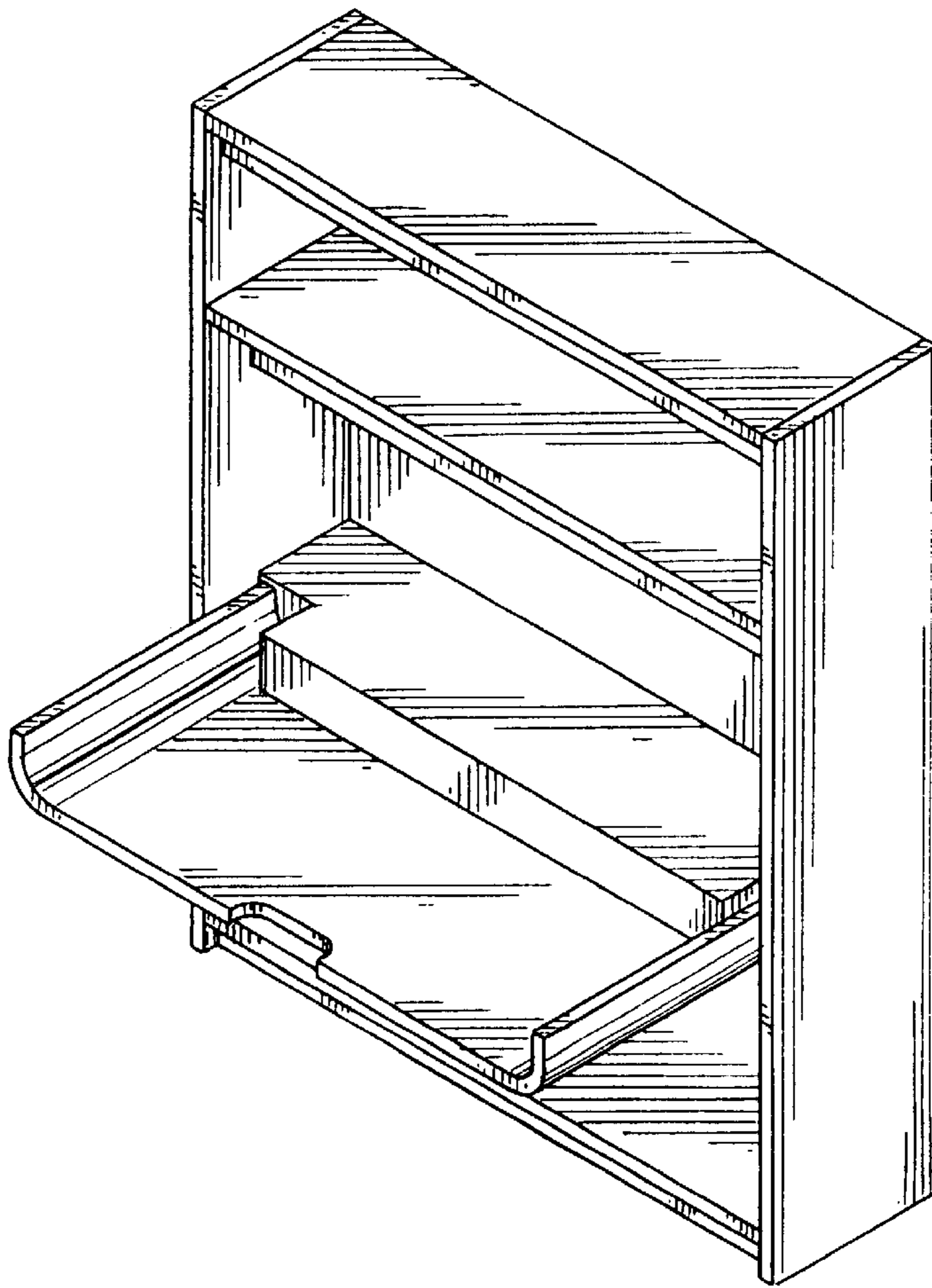


FIG. 1

FIG. 4

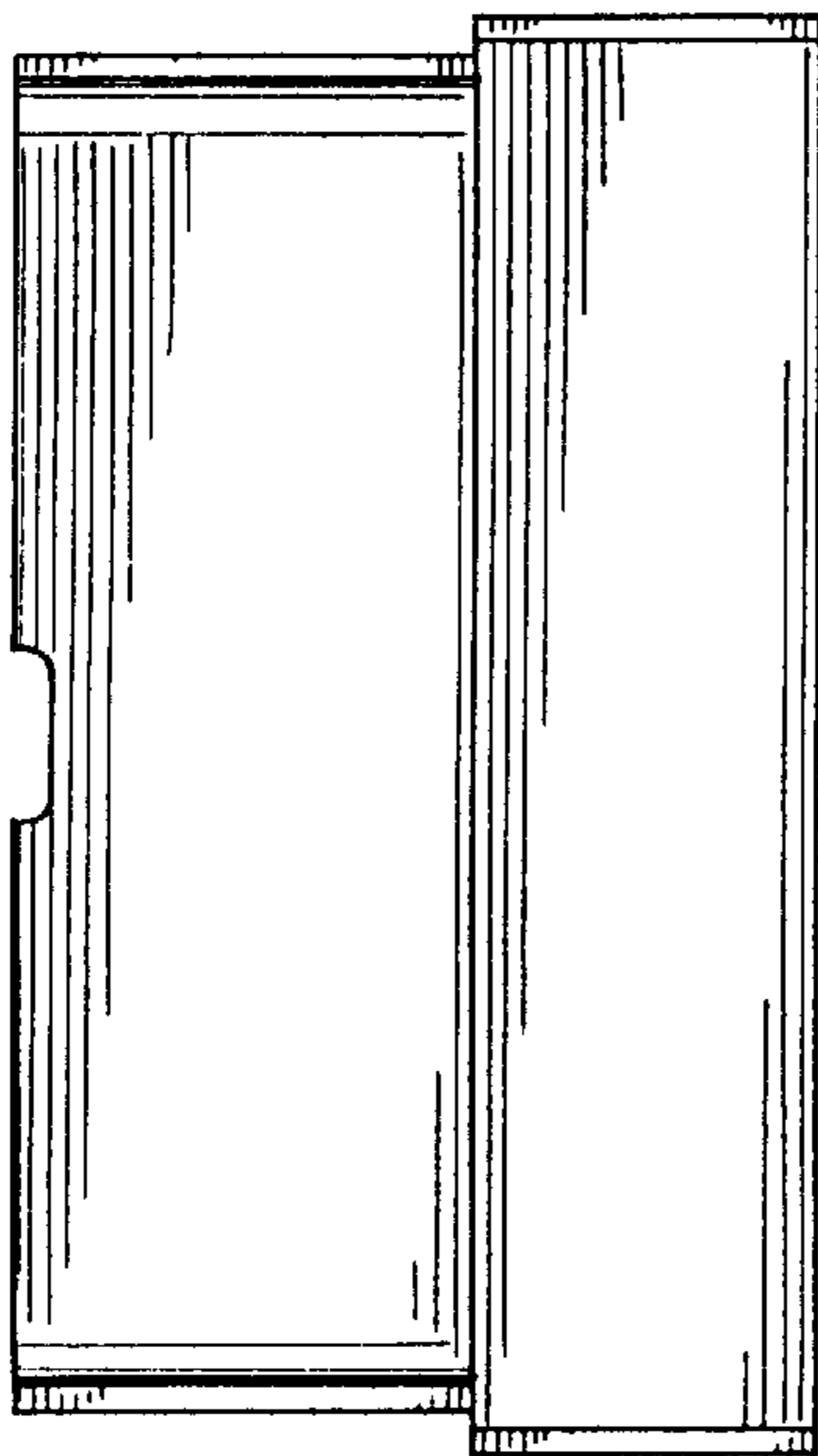


FIG. 5

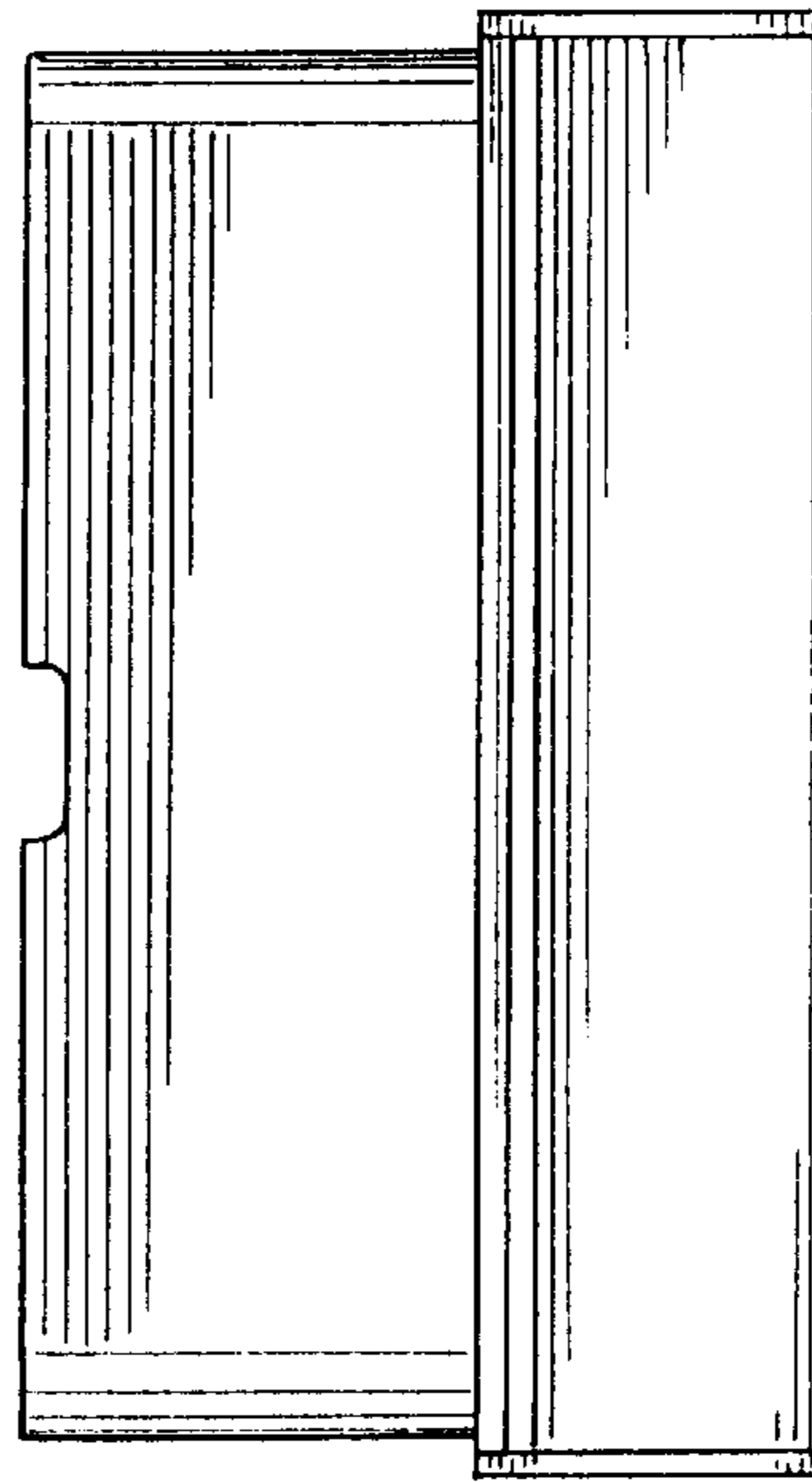


FIG. 2

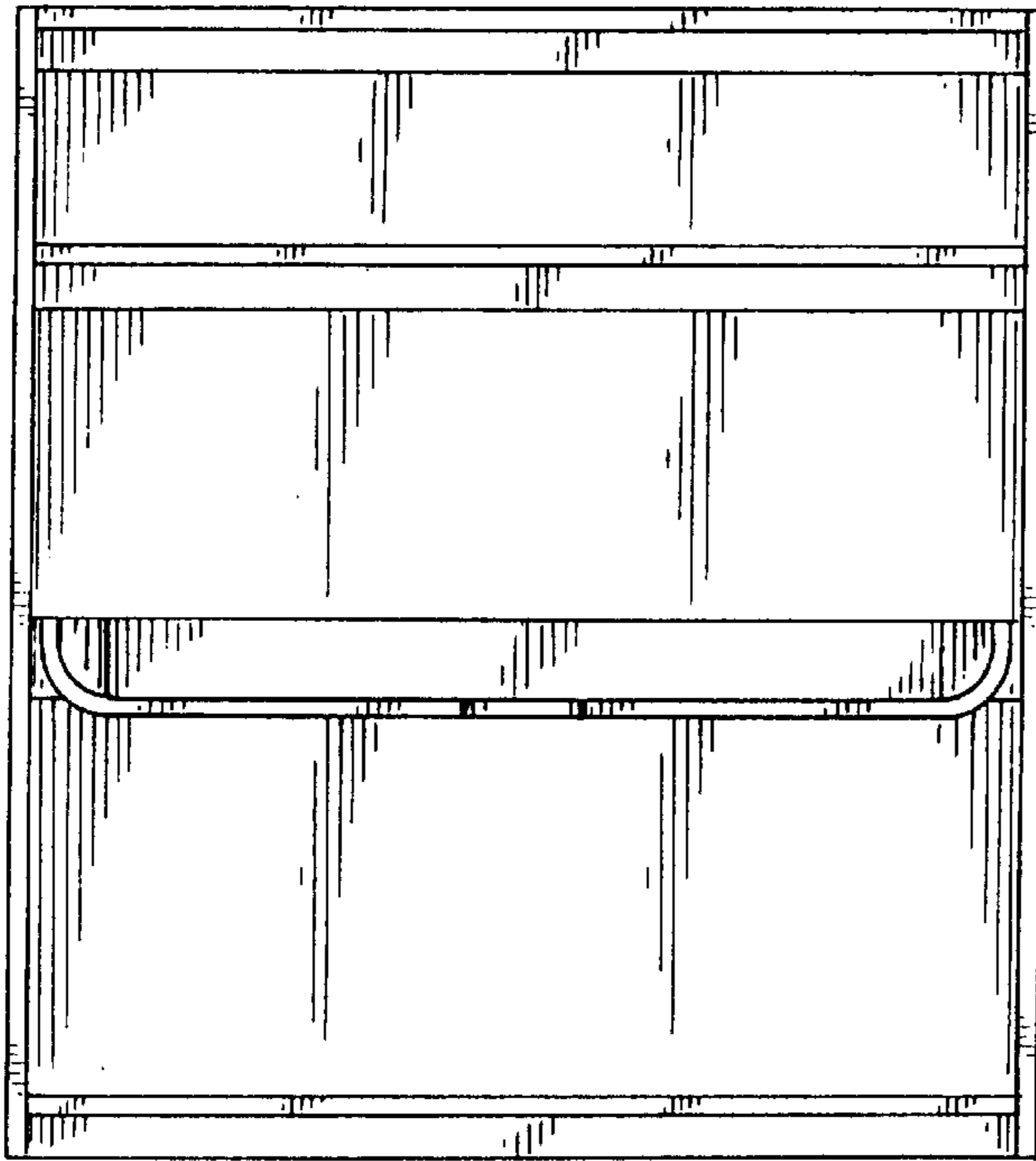


FIG. 3

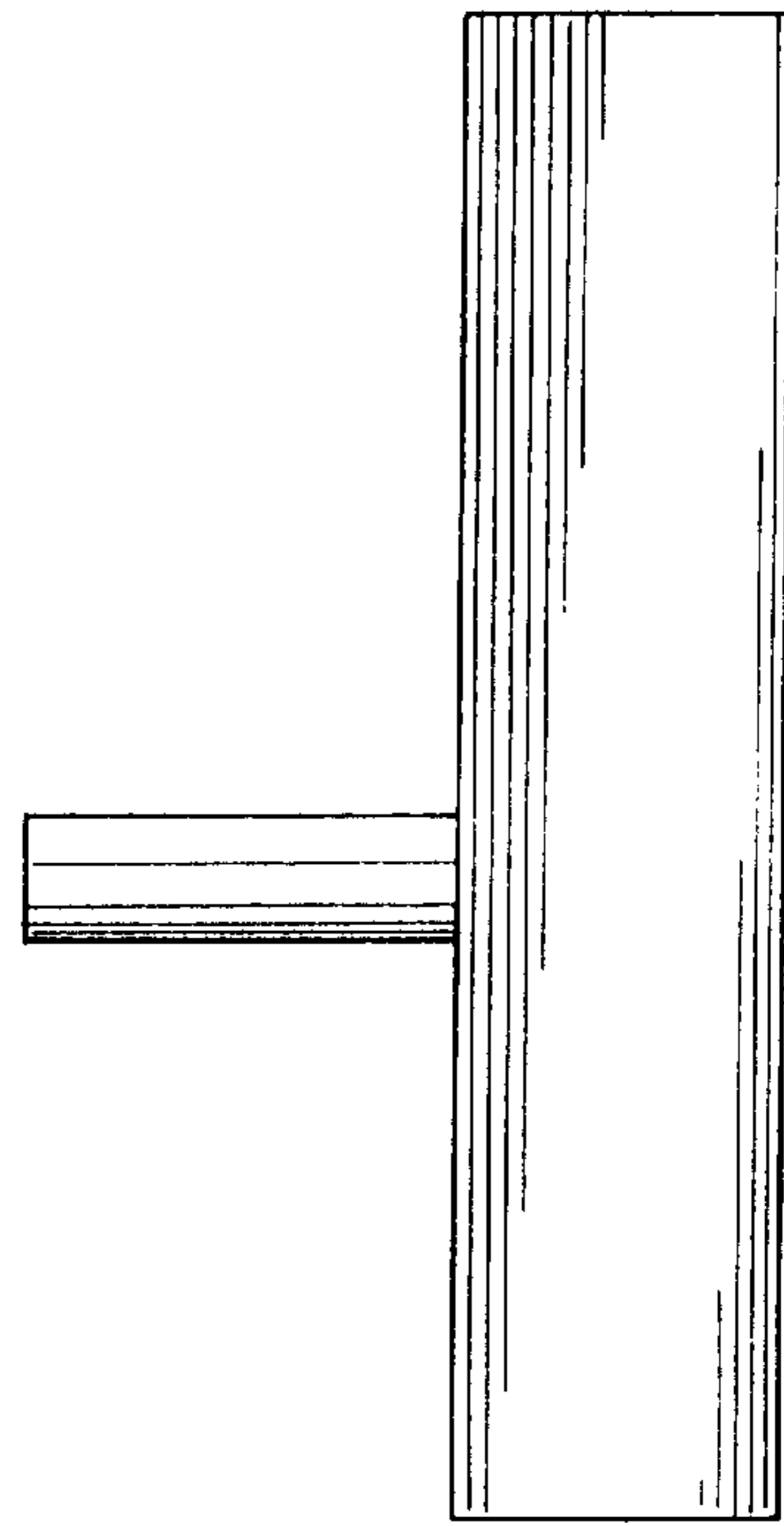


FIG. 6

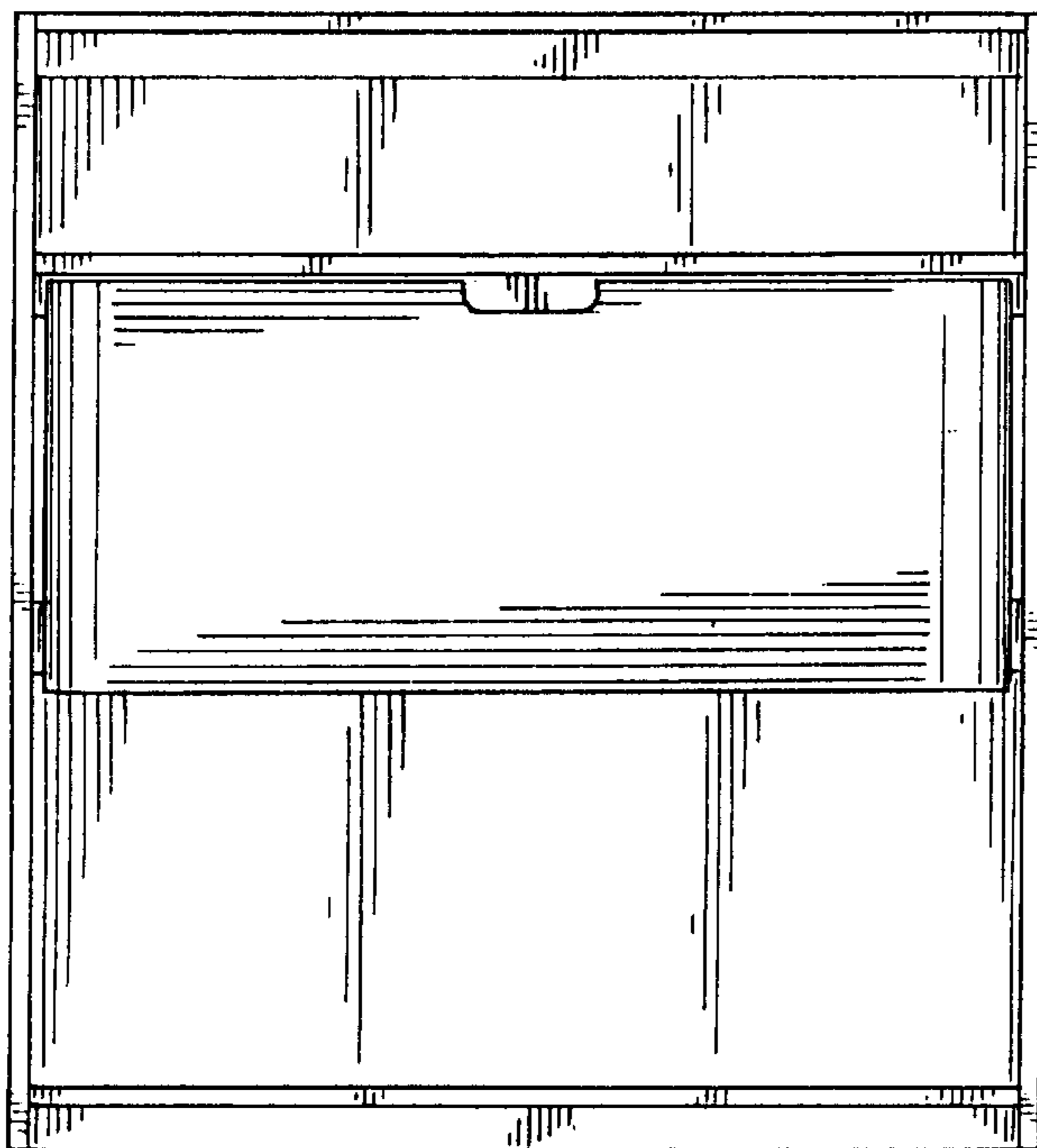


FIG. 7

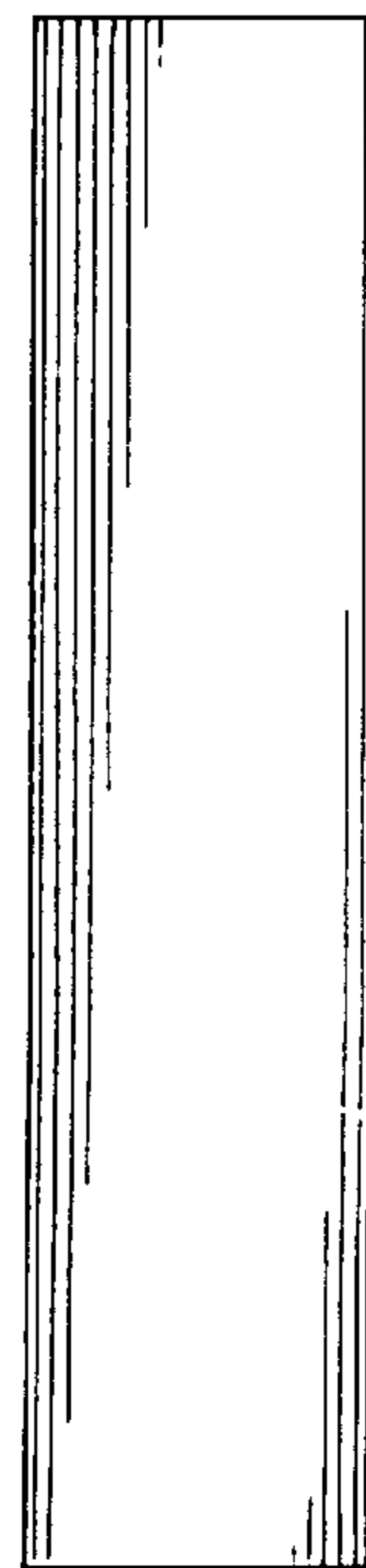


FIG. 8

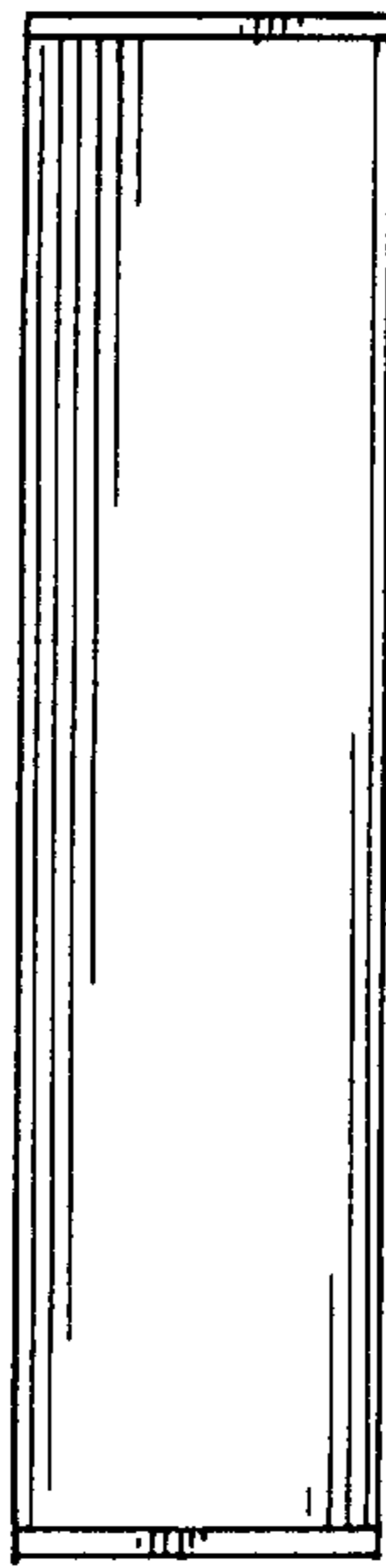


FIG. 9

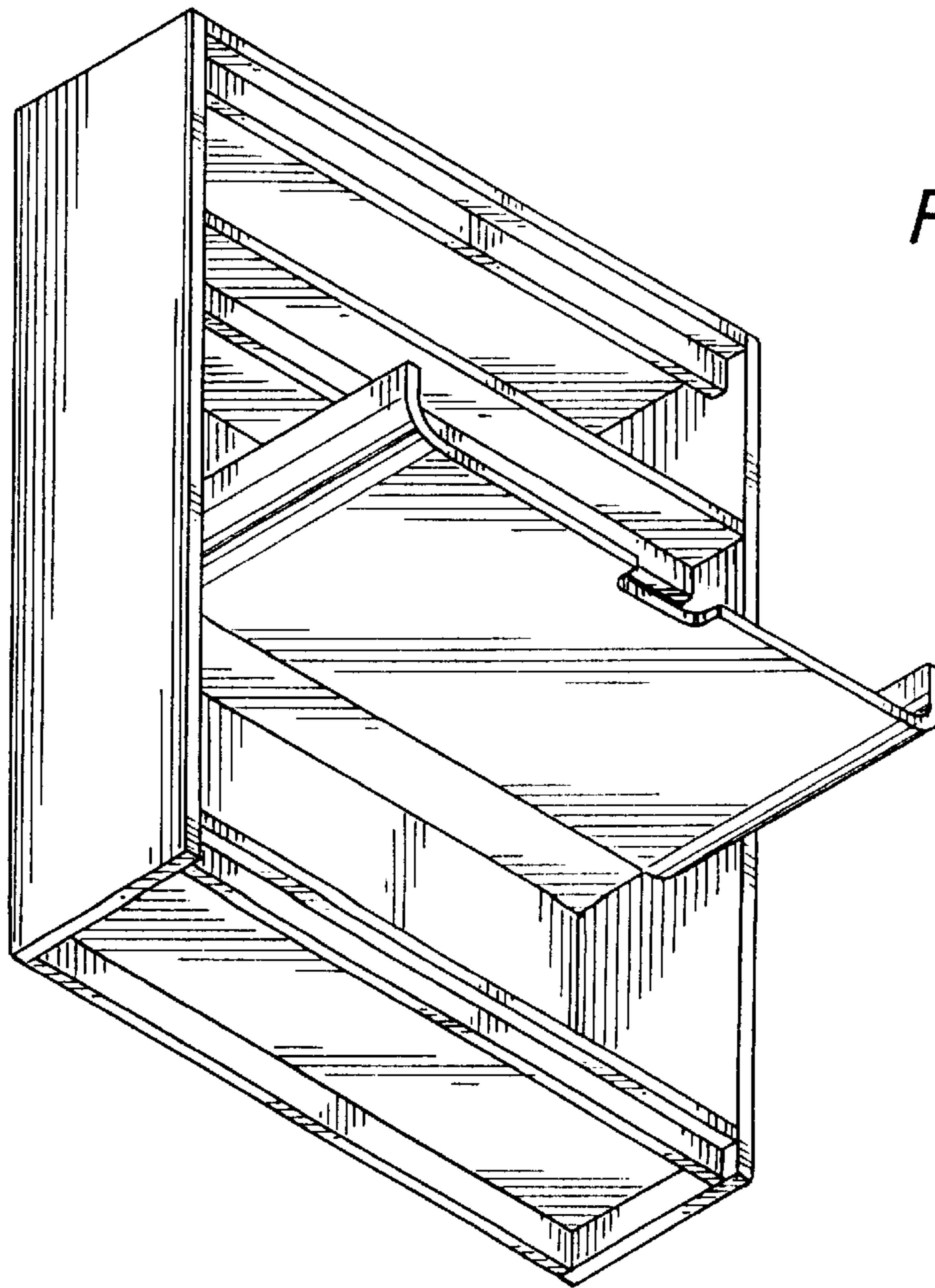
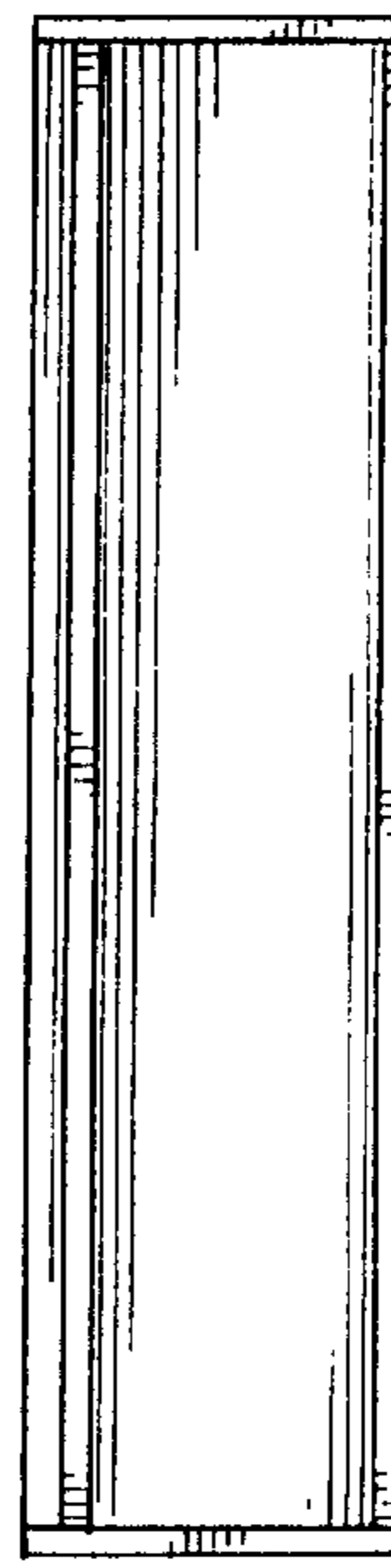


FIG. 10