



US00D440421S

(12) **United States Design Patent**  
**Dobson, III**

(10) **Patent No.:** **US D440,421 S**

(45) **Date of Patent:** **\*\* Apr. 17, 2001**

(54) **CHAIR**

D. 289,468 \* 4/1987 MacVeigh ..... D6/370 X  
3,950,028 \* 4/1976 Schnepel ..... D6/370 X

(75) Inventor: **William A. Dobson, III**, Tampa, FL  
(US)

\* cited by examiner

(73) Assignee: **080 Studio, Inc.**, Tampa, FL (US)

*Primary Examiner*—Gary D. Watson

(\*\*) Term: **14 Years**

(74) *Attorney, Agent, or Firm*—David W. Pettis, Jr.;  
William S. Van Royen

(21) Appl. No.: **29/131,531**

(57) **CLAIM**

(22) Filed: **Oct. 24, 2000**

The ornamental design for a chair, as shown and described.

(51) **LOC (7) Cl.** ..... **06-01**

**DESCRIPTION**

(52) **U.S. Cl.** ..... **D6/370**

FIG. 1 is a perspective view of the chair showing my new design;

(58) **Field of Search** ..... D6/334, 335, 369,  
D6/370, 374, 379, 380, 500, 501, 502;  
297/445.1, 446.1, 451.11, 452.63, 452.64

FIG. 2 is a front elevational view thereof;

FIG. 3 is a left side elevational view thereof;

FIG. 4 is a rear elevational view thereof;

FIG. 5 is a right side elevational view thereof;

FIG. 6 is top plan view thereof; and,

FIG. 7 is bottom plan view thereof.

(56) **References Cited**

**U.S. PATENT DOCUMENTS**

D. 260,459 \* 9/1981 Lamb ..... D6/370

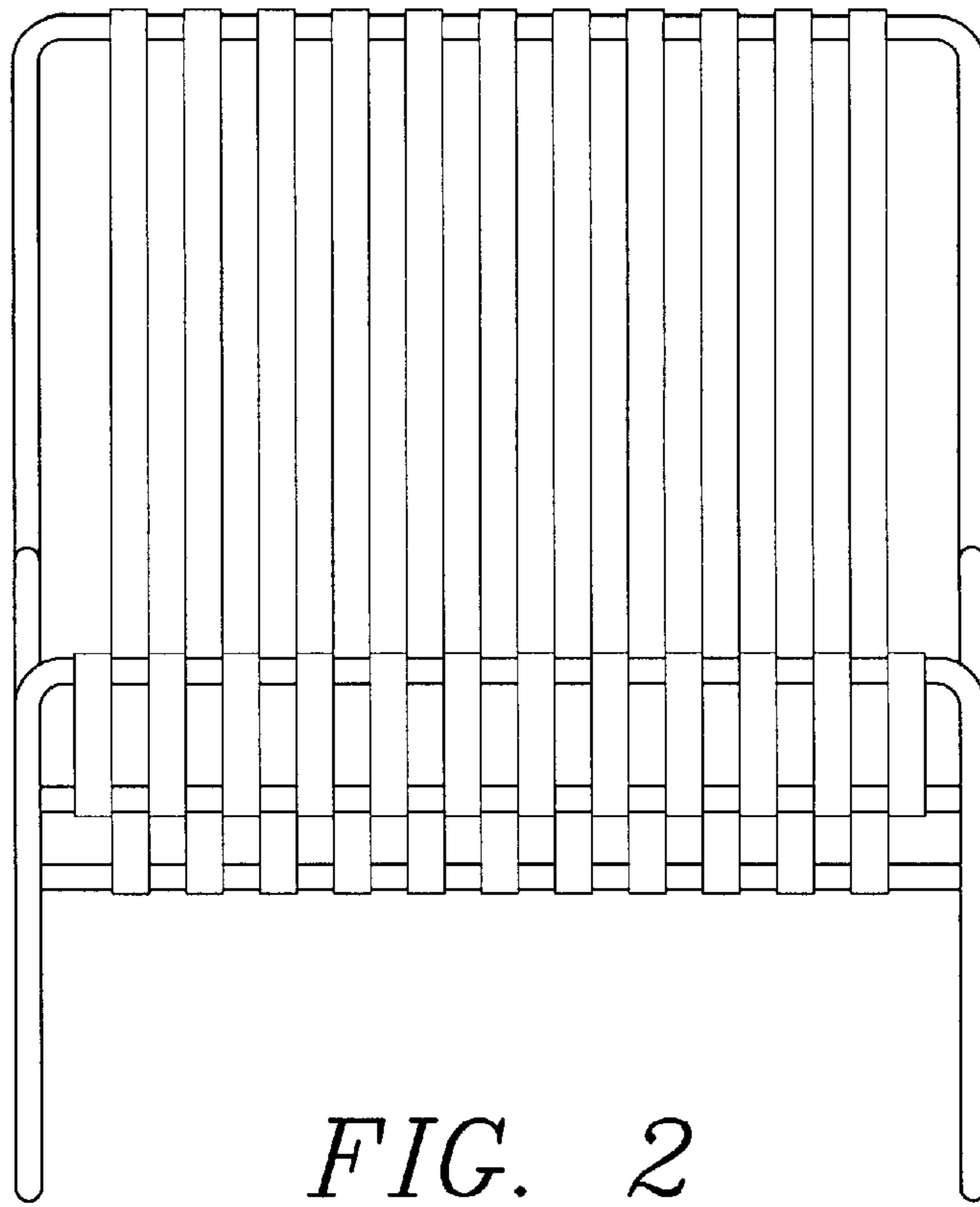
D. 260,705 \* 9/1981 Zamora ..... D6/370

**1 Claim, 4 Drawing Sheets**

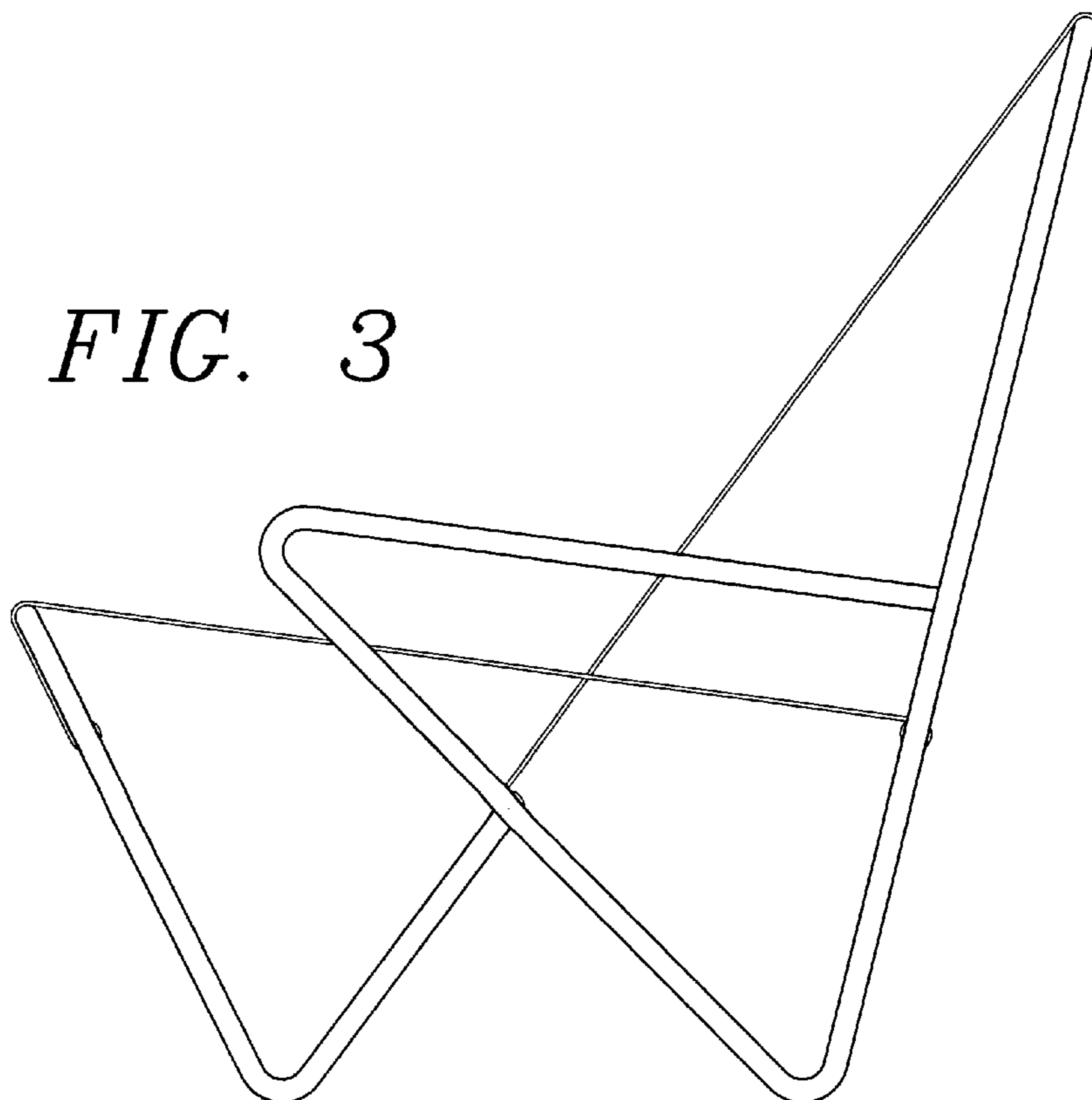




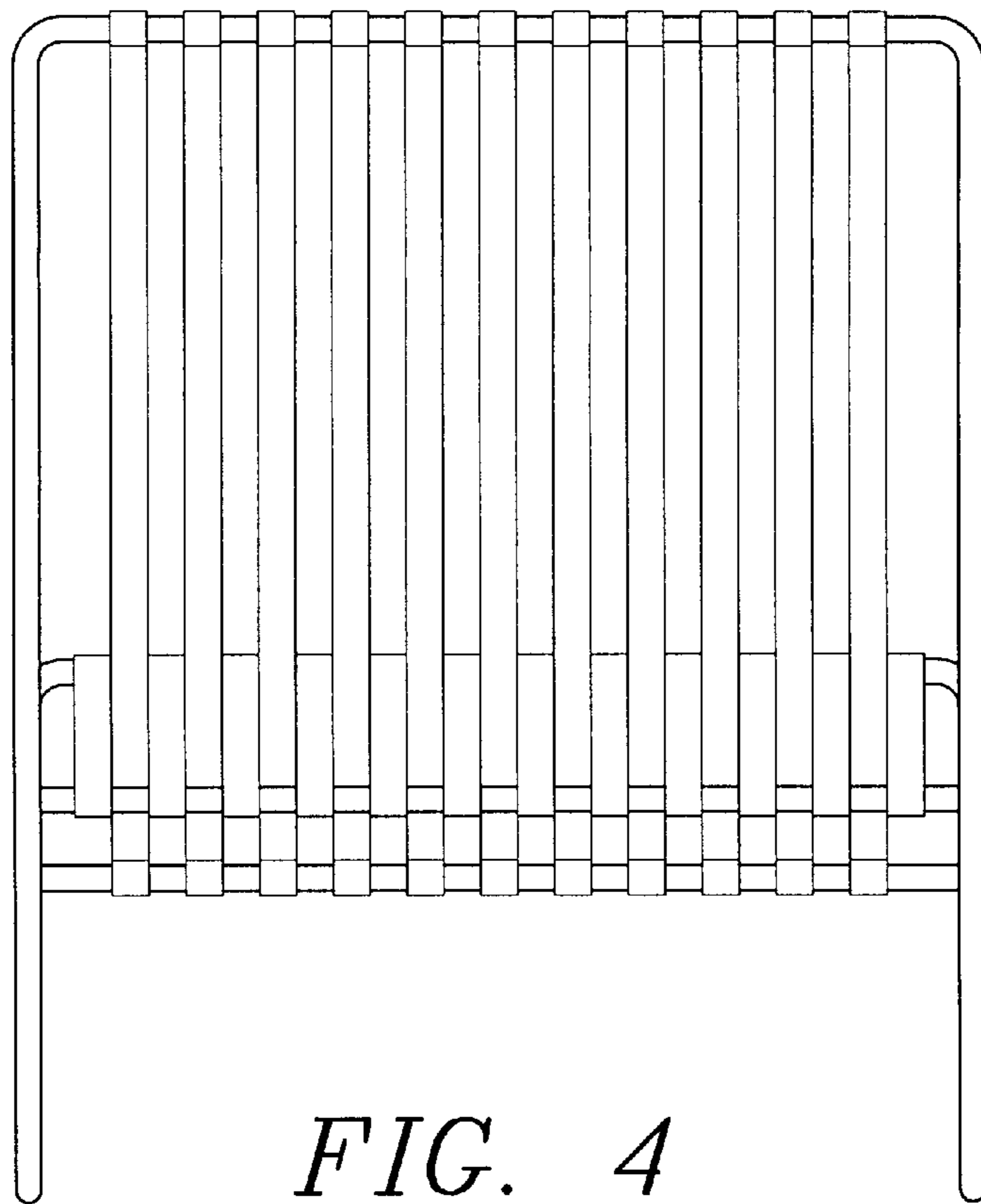
*FIG. 1*



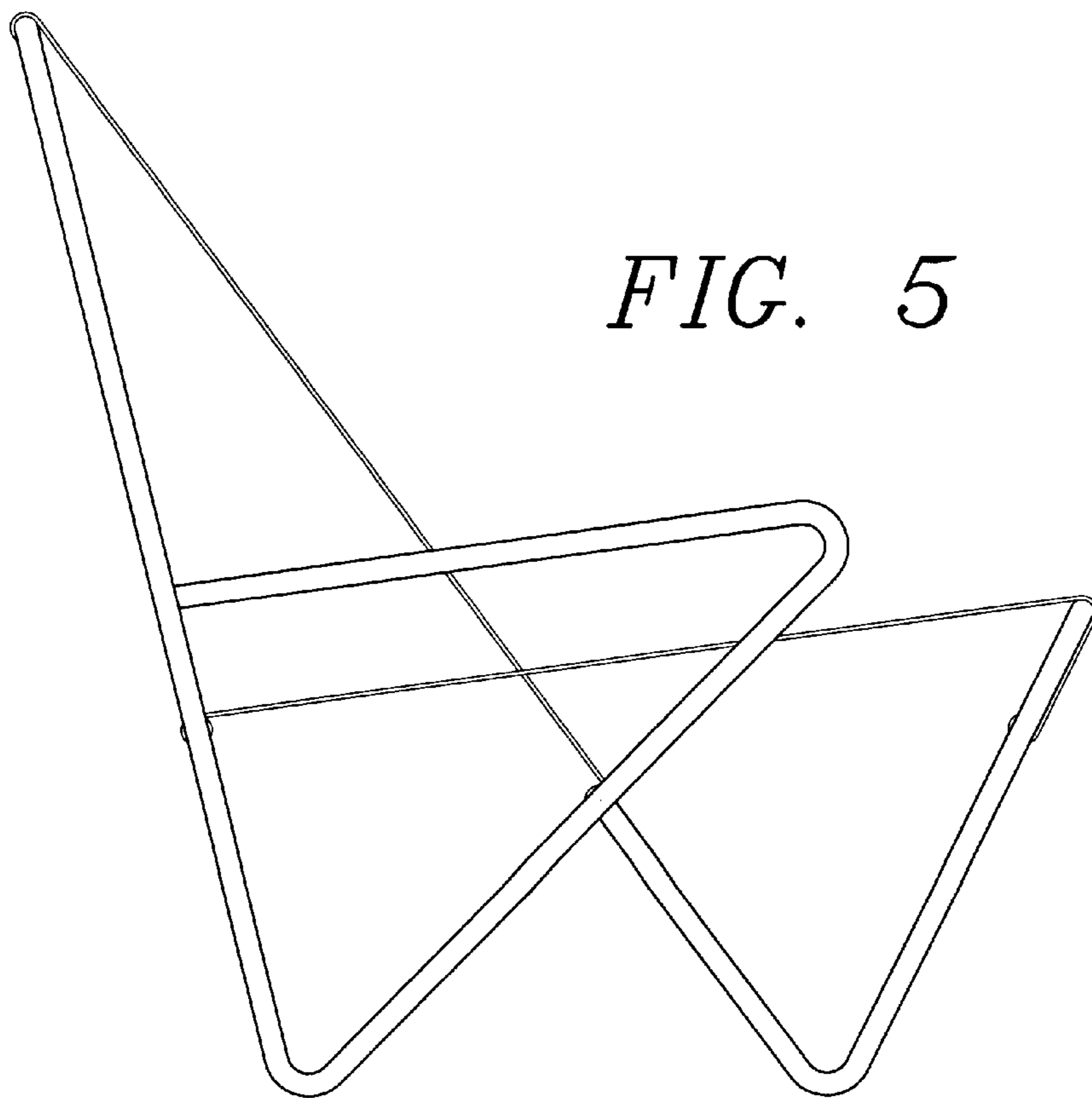
*FIG. 2*



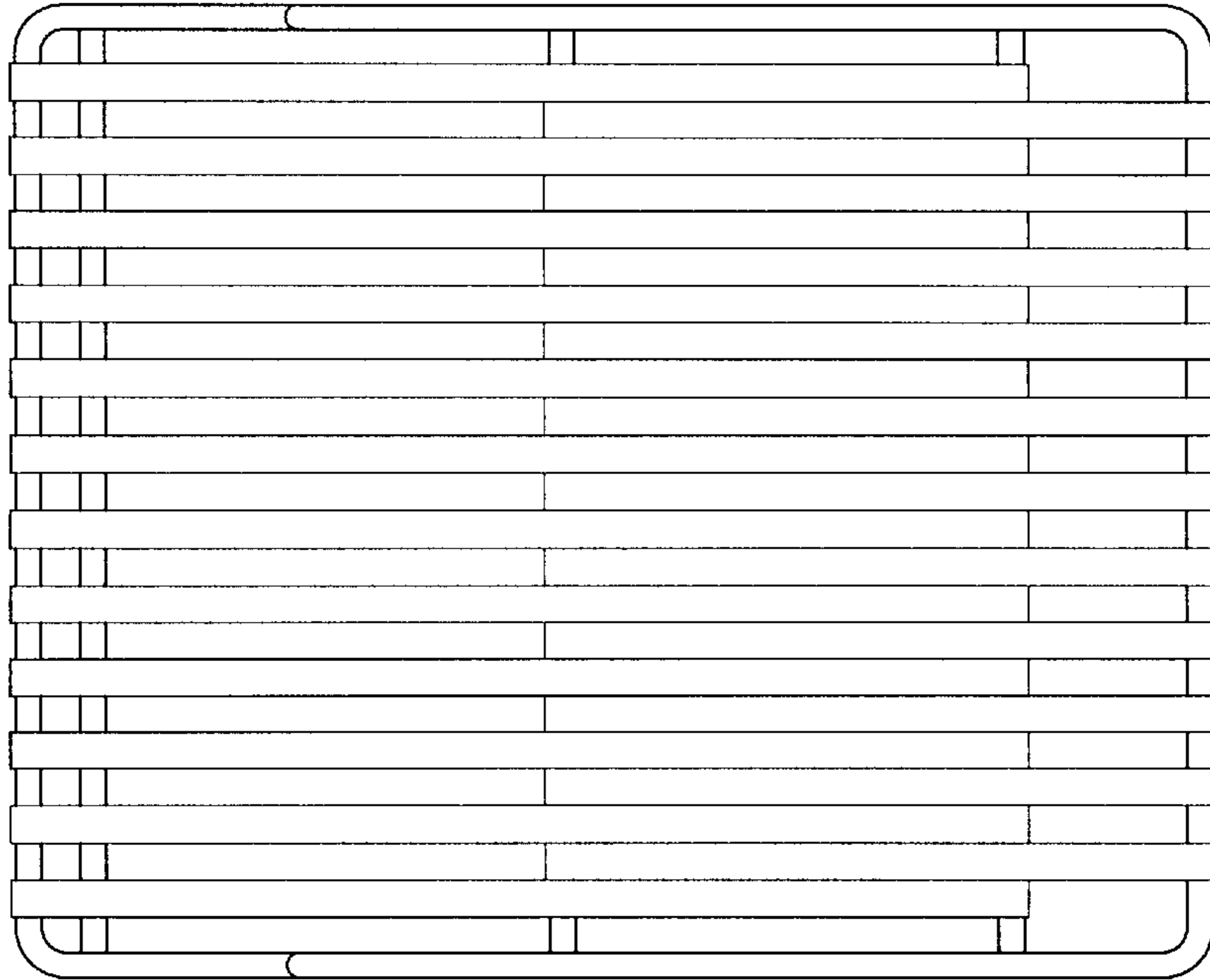
*FIG. 3*



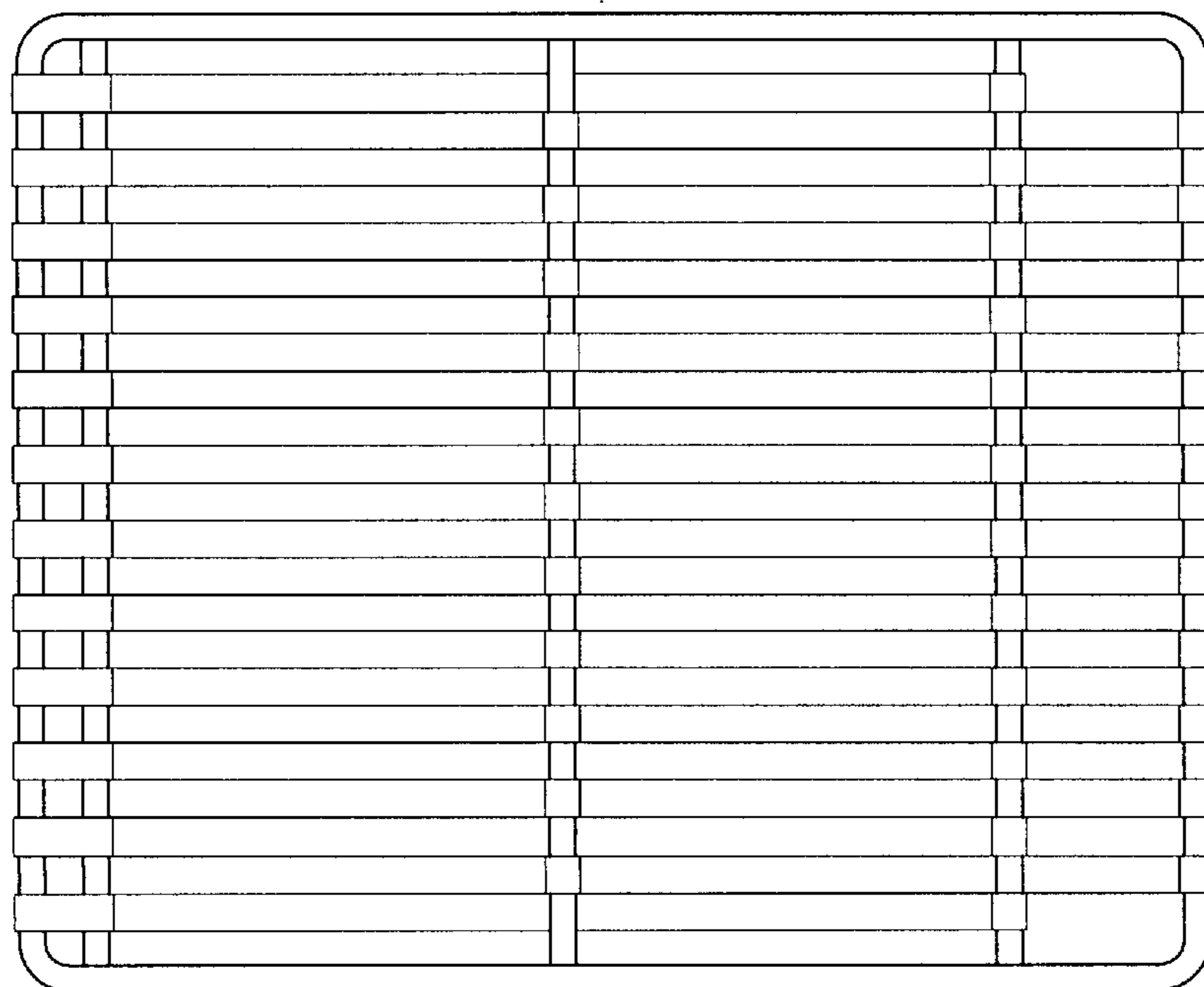
*FIG. 4*



*FIG. 5*



*FIG. 6*



*FIG. 7*