



US00D440419S

(12) **United States Design Patent**  
**Röder**

(10) **Patent No.:** **US D440,419 S**

(45) **Date of Patent:** **\*\* Apr. 17, 2001**

(54) **CHAIR**

(76) Inventor: **Peter Röder**, Marktstrasse 144,  
D-60388 Frankfurt am Main (DE)

(\*\*) Term: **14 Years**

(21) Appl. No.: **29/087,260**

(22) Filed: **Apr. 29, 1998**

(51) **LOC (7) Cl.** ..... **06-01**

(52) **U.S. Cl.** ..... **D6/366**

(58) **Field of Search** ..... D6/334, 364, 365,  
D6/366, 367, 500, 501, 502; 297/344.19,  
411.2

(56) **References Cited**

**U.S. PATENT DOCUMENTS**

- D. 346,279 \* 4/1994 Stumpf et al. .... D6/366
- D. 377,431 1/1997 Stumpf et al. .
- D. 386,023 11/1997 Stumpf et al. .
- D. 398,163 \* 9/1998 Desanta ..... D6/366
- D. 417,101 \* 11/1999 Desanta et al. .... D6/500

- D. 423,259 \* 4/2000 Grove ..... D6/500
- 4,529,247 7/1985 Stumpf et al. .
- 5,542,743 8/1996 Olson et al. .
- 5,547,253 8/1996 Schwartz et al. .

\* cited by examiner

*Primary Examiner*—Gary D. Watson

(74) *Attorney, Agent, or Firm*—Sonnenschein Nath &  
Rosenthal

(57) **CLAIM**

The ornamental design for a “chair”, as shown and described.

**DESCRIPTION**

FIG. 1 is a front view of a chair design of the present invention.

FIG. 2 is a side elevational view of the chair of FIG. 1, the opposite side being identical.

FIG. 3 is a top view of the chair of FIG. 1.

FIG. 4 is a rear view of the chair of FIG. 1; and,

FIG. 5 is a bottom view of the chair of FIG. 1.

**1 Claim, 5 Drawing Sheets**

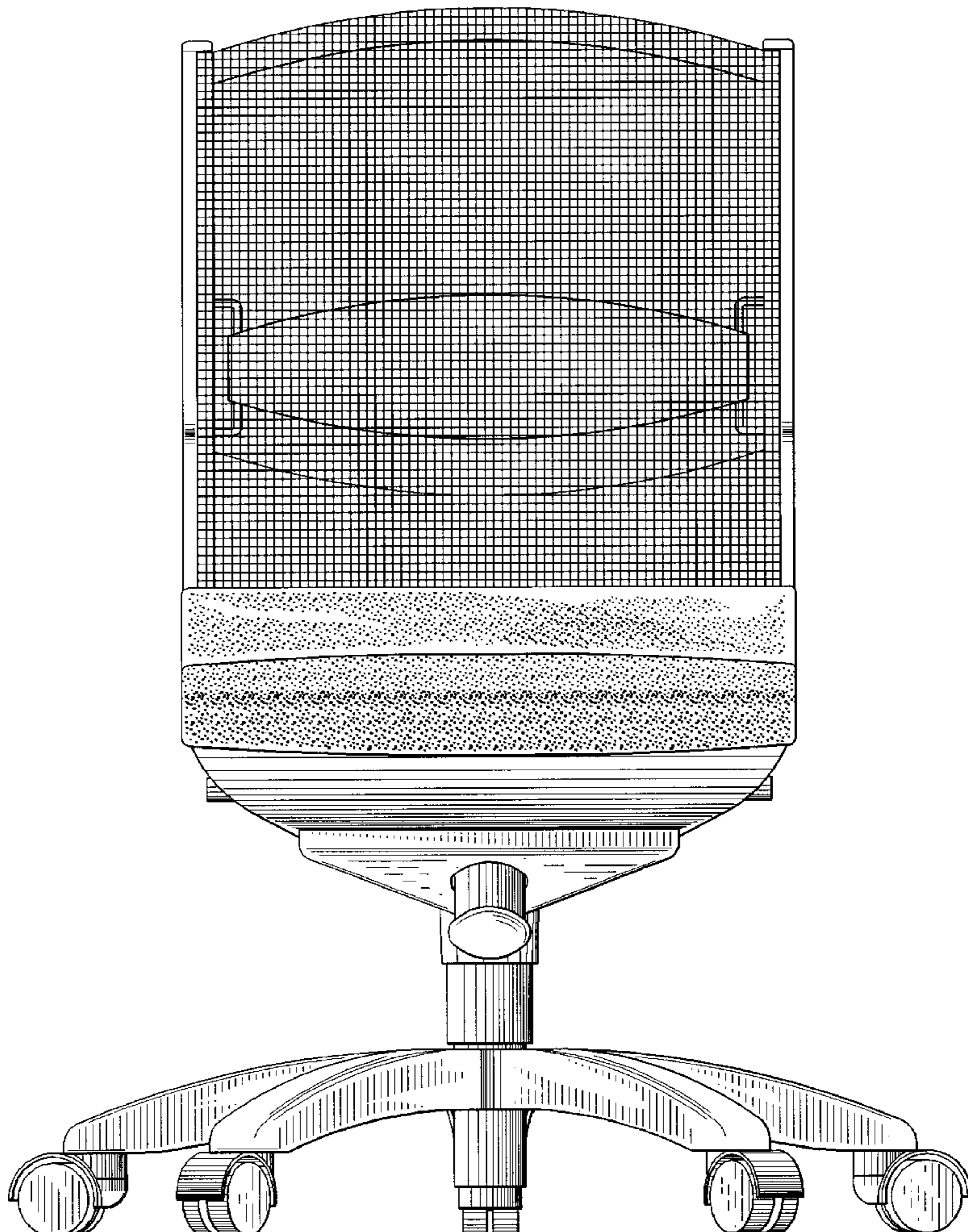


FIG. 1

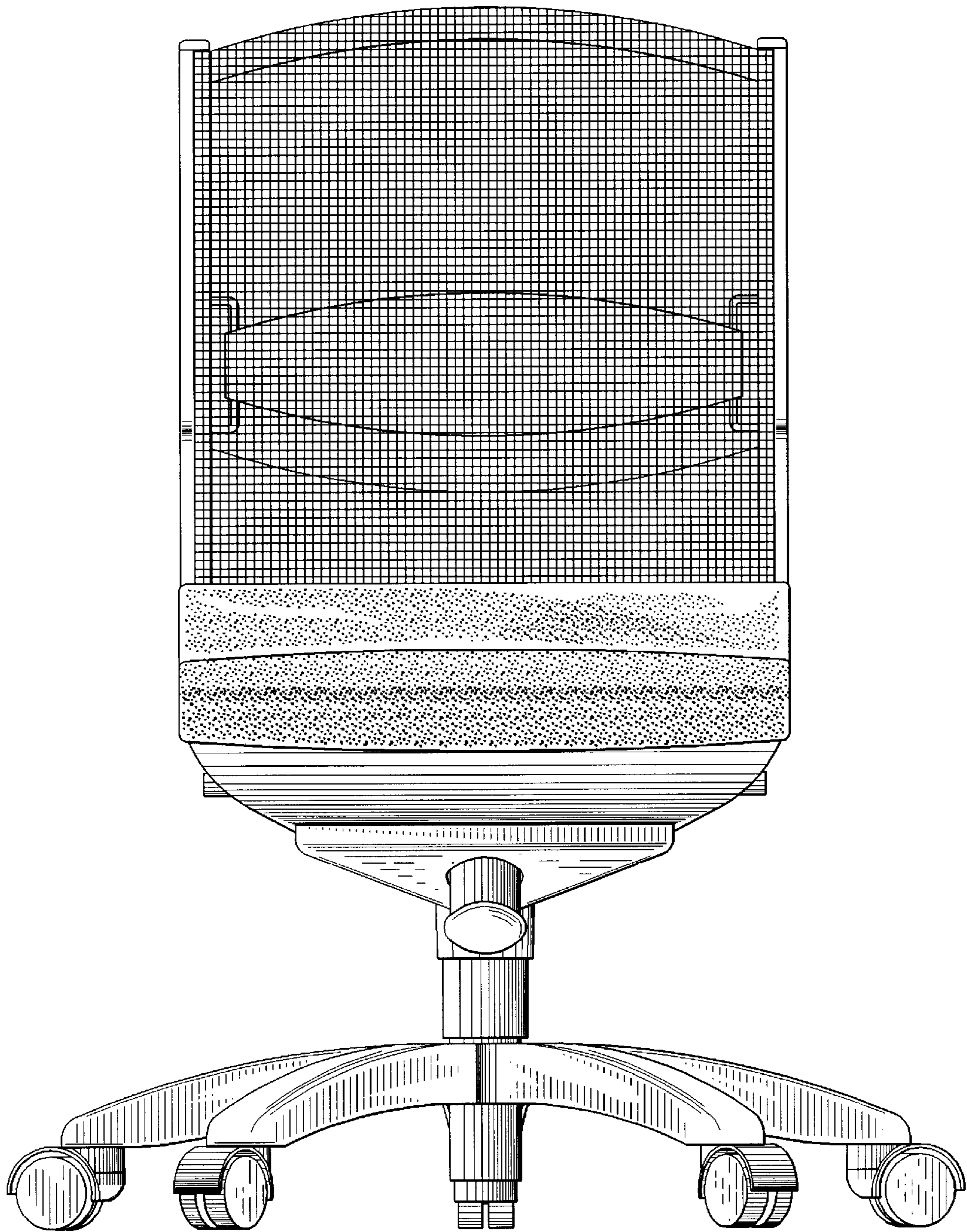


FIG. 2

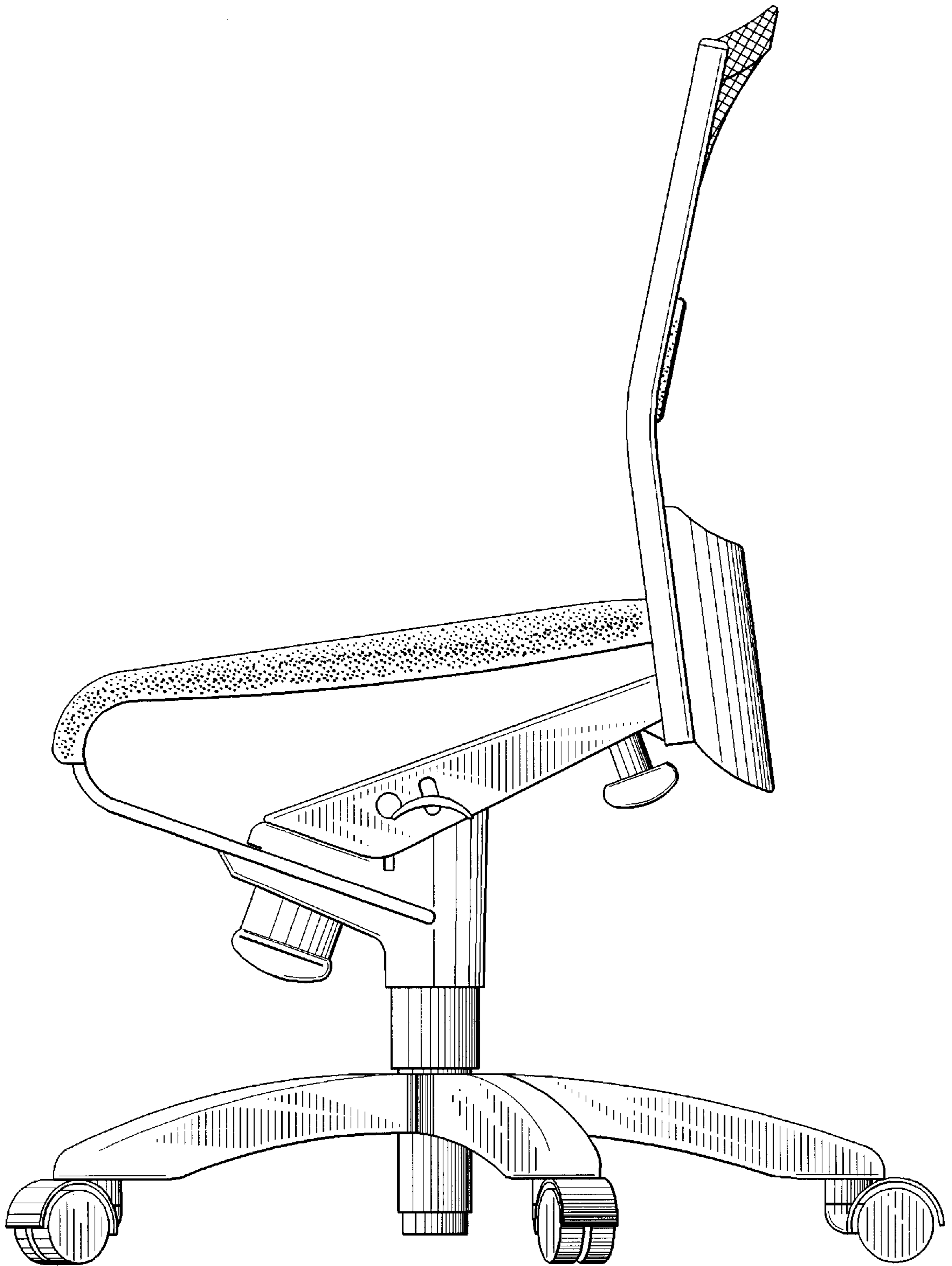


FIG. 3

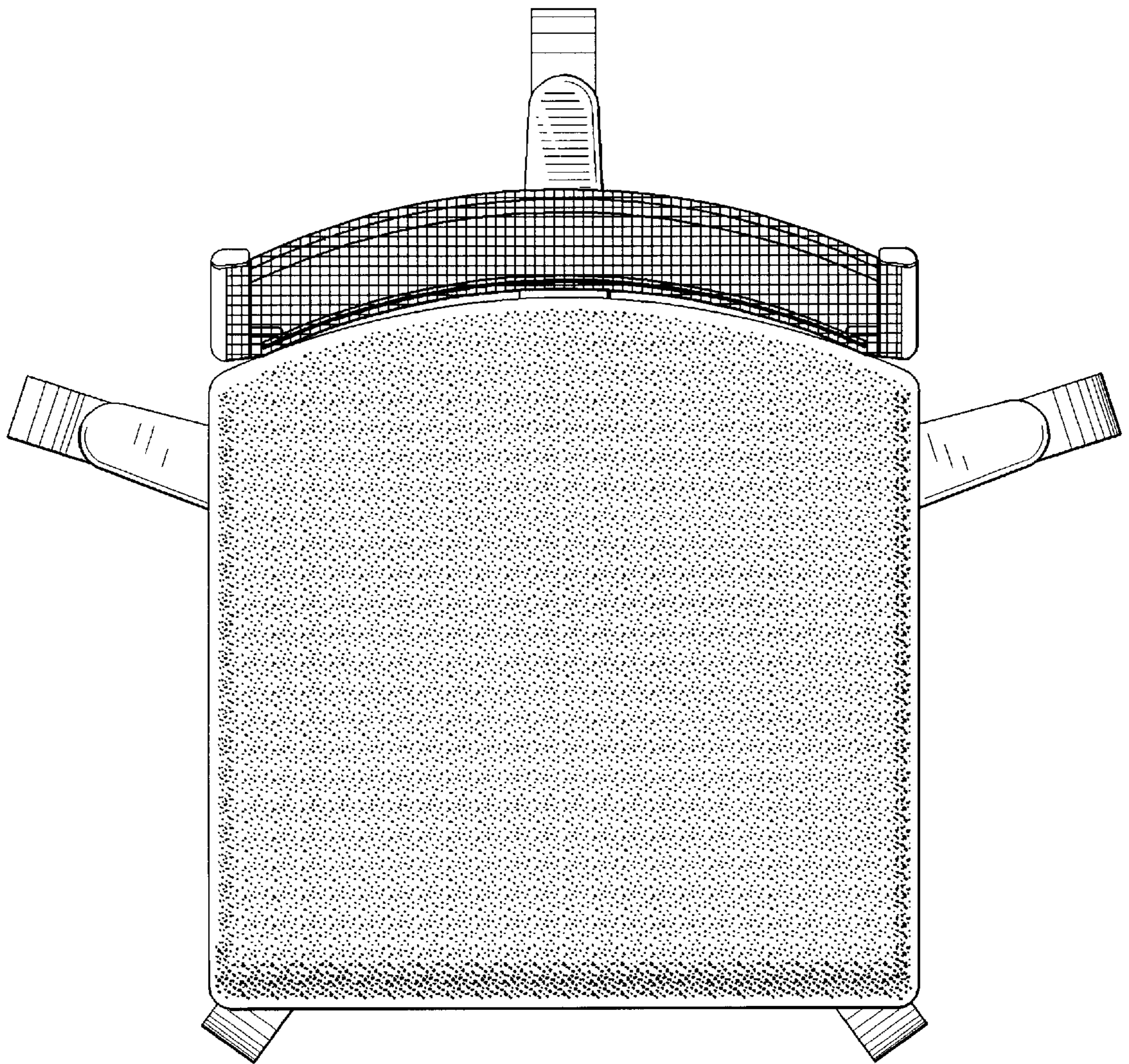


FIG. 4

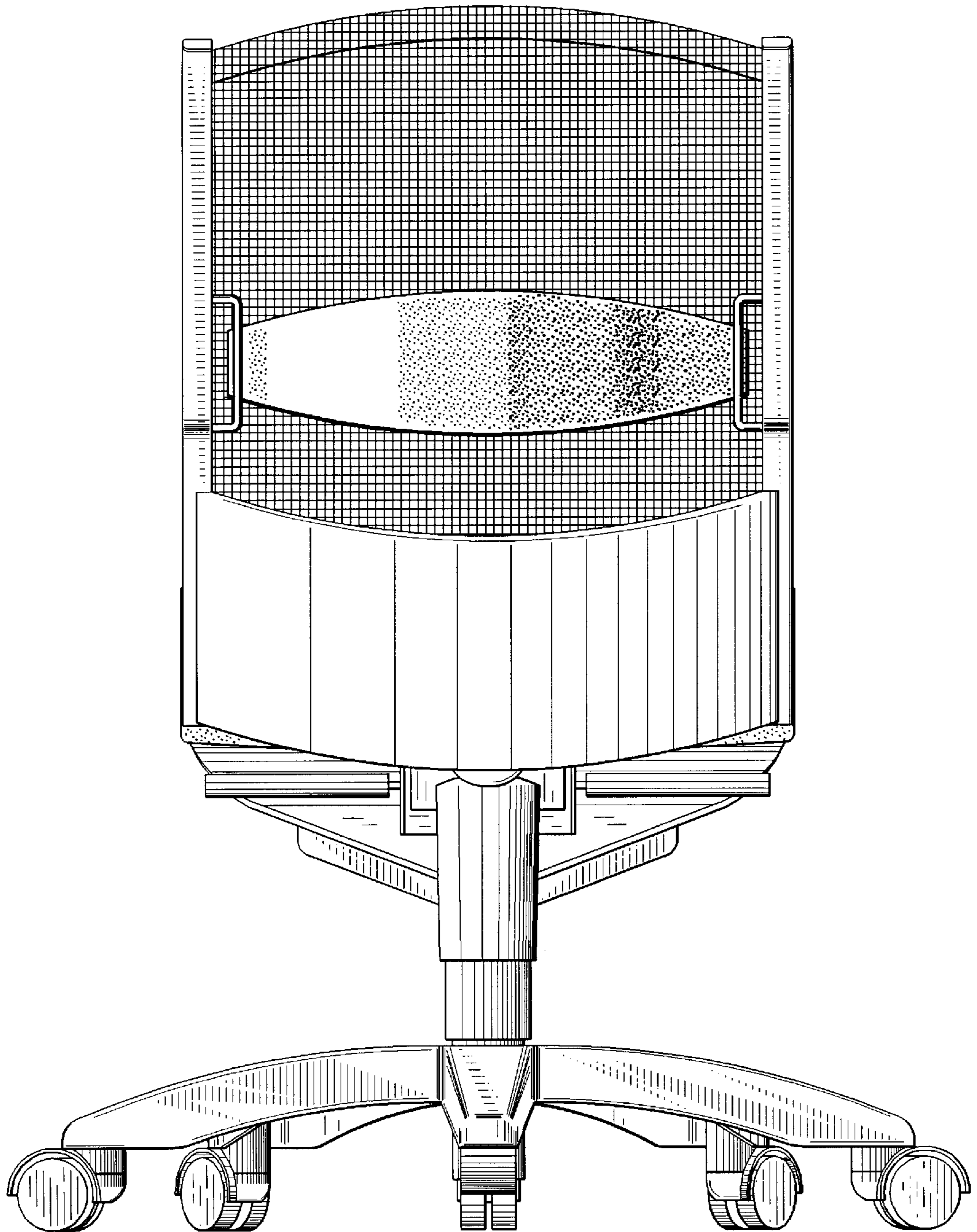


FIG. 5

