



US00D440416S

(12) **United States Design Patent**  
**Olofson**

(10) **Patent No.:** **US D440,416 S**

(45) **Date of Patent:** **\*\* Apr. 17, 2001**

(54) **BENCH BOOK FURNITURE MODULE**

3,376,069 \* 4/1968 Lowdermilk ..... 297/423.41  
5,536,071 \* 7/1996 Kraftick ..... 297/423.41

(76) Inventor: **Erik D. Olofson**, 1447 Columbine Way,  
Livermore, CA (US) 94550

\* cited by examiner

(\*\*) Term: **14 Years**

*Primary Examiner*—Janice E. Seeger

(21) Appl. No.: **29/124,051**

(57) **CLAIM**

(22) Filed: **May 30, 2000**

The ornamental design for a bench book furniture module,  
as shown.

(51) **LOC (7) Cl.** ..... **06-01**

**DESCRIPTION**

(52) **U.S. Cl.** ..... **D6/351; D6/601; D6/597**

(58) **Field of Search** ..... D6/349, 351–353,  
D6/355, 601, 597, 450, 451; 297/181, 461,  
462, 423.1, 423.39, 423.41; D9/326; D19/26

FIG. 1 is a front view, the rear being a mirror (image) view.  
FIG. 2 is a right side view, the left side being a mirror  
(image) view.

FIG. 3 is a top view; and,

FIG. 4 is a perspective view.

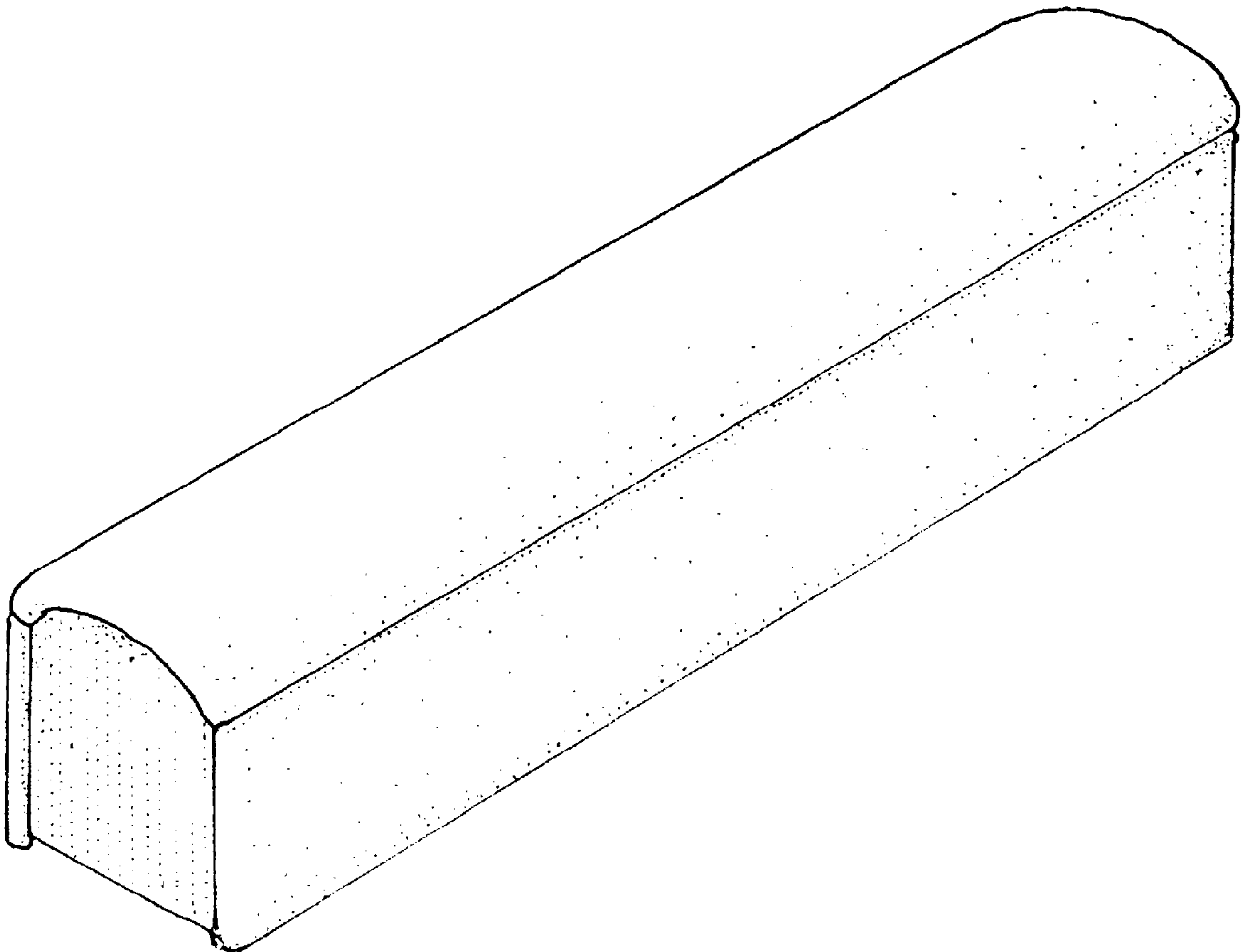
(56) **References Cited**

The invention includes a plain and unornamental bottom,  
which is not shown.

**U.S. PATENT DOCUMENTS**

D. 348,175 \* 6/1994 Kilbey ..... D6/601  
1,712,862 \* 5/1929 Wickstrum ..... 297/461

**1 Claim, 2 Drawing Sheets**



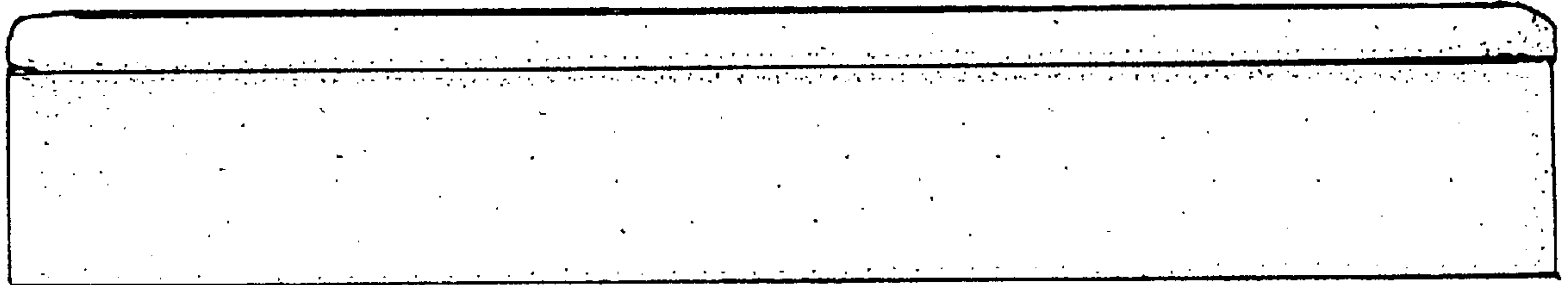


FIG. 1

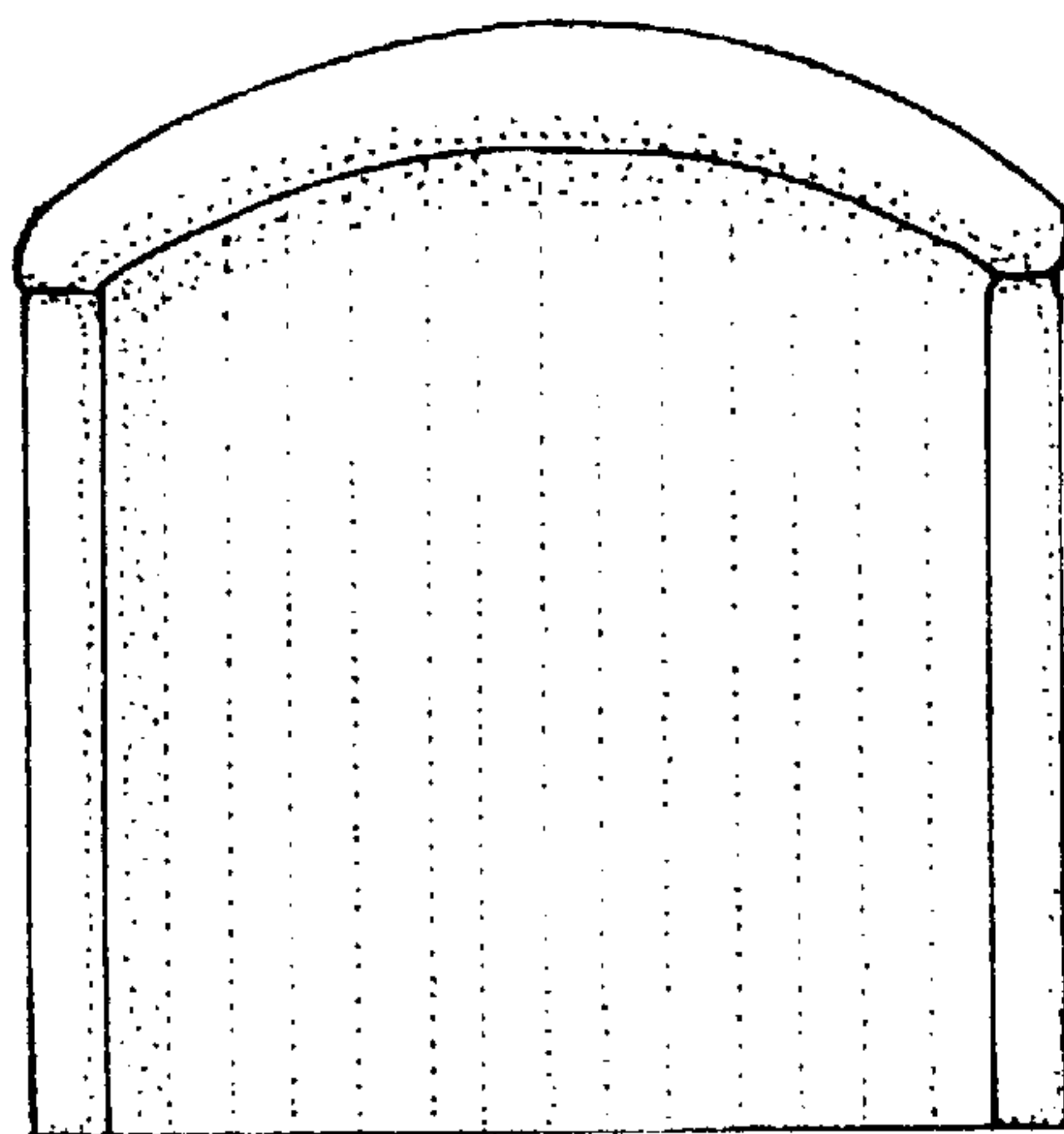


FIG. 2

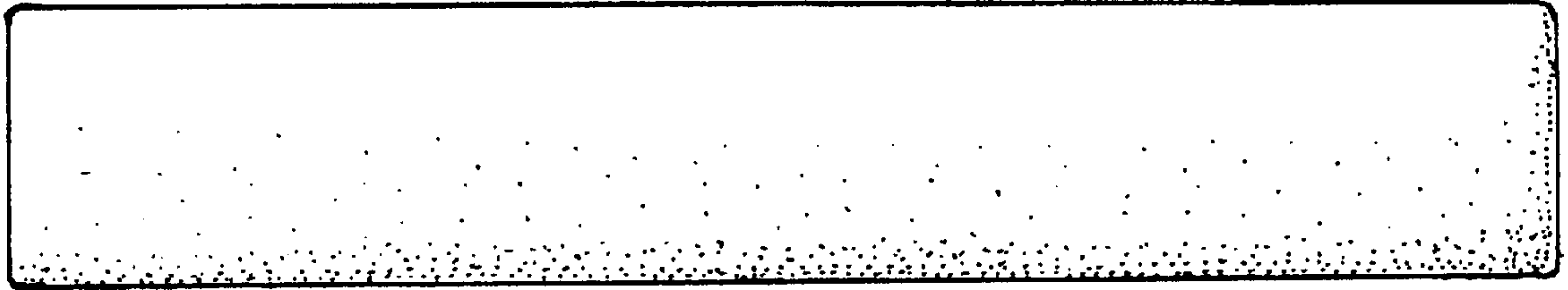


FIG. 3

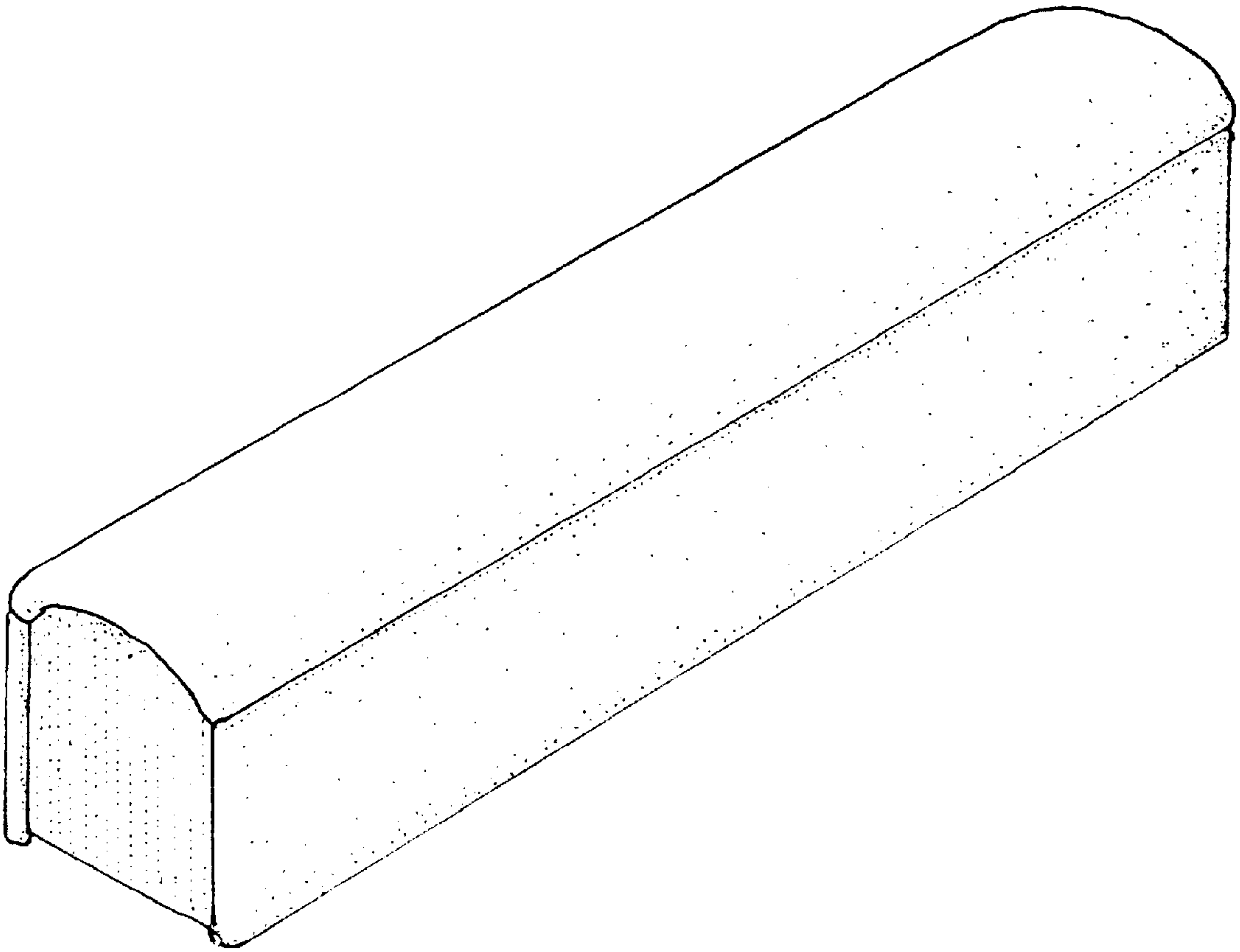


FIG. 4