



US00D440413S

(12) **United States Design Patent**
Binder et al.

(10) **Patent No.:** **US D440,413 S**

(45) **Date of Patent:** **** Apr. 17, 2001**

(54) **CHAIR**

D. 362,353 * 9/1995 Natuzzi et al. D6/381
D. 367,364 * 2/1996 Lewis D6/334

(76) Inventors: **Adele H. Binder**, 130 Delfern Dr., Los Angeles, CA (US) 90077; **Brad M. Hunter**, 1480 Rising Glen Rd., Los Angeles, CA (US) 90069

* cited by examiner

(**) Term: **14 Years**

Primary Examiner—Gary D. Watson
(74) *Attorney, Agent, or Firm*—Marshall, O’Toole, Gerstein, Murray & Borun

(21) Appl. No.: **29/109,688**

(22) Filed: **Aug. 19, 1999**

(57) **CLAIM**

The ornamental design for a chair, as shown.

(51) **LOC (7) Cl.** **06-01**

(52) **U.S. Cl.** **D6/334**

(58) **Field of Search** D6/334, 335, 364, D6/371, 373, 381, 500, 501, 502; 297/445.1

DESCRIPTION

FIG. 1 is a perspective view of a chair in accordance with the present invention;
FIG. 2 is a front view of the chair of FIG. 1;
FIG. 3 is a left-side view of the chair;
FIG. 4 is a back view of the chair;
FIG. 5 is a right-side view of the chair; and,
FIG. 6 is a top view of the chair.

(56) **References Cited**

U.S. PATENT DOCUMENTS

D. 260,582 * 9/1981 Lüthy D6/381
D. 361,212 * 8/1995 Gibson D6/334
D. 362,128 * 9/1995 Natuzzi et al. D6/334 X

1 Claim, 2 Drawing Sheets

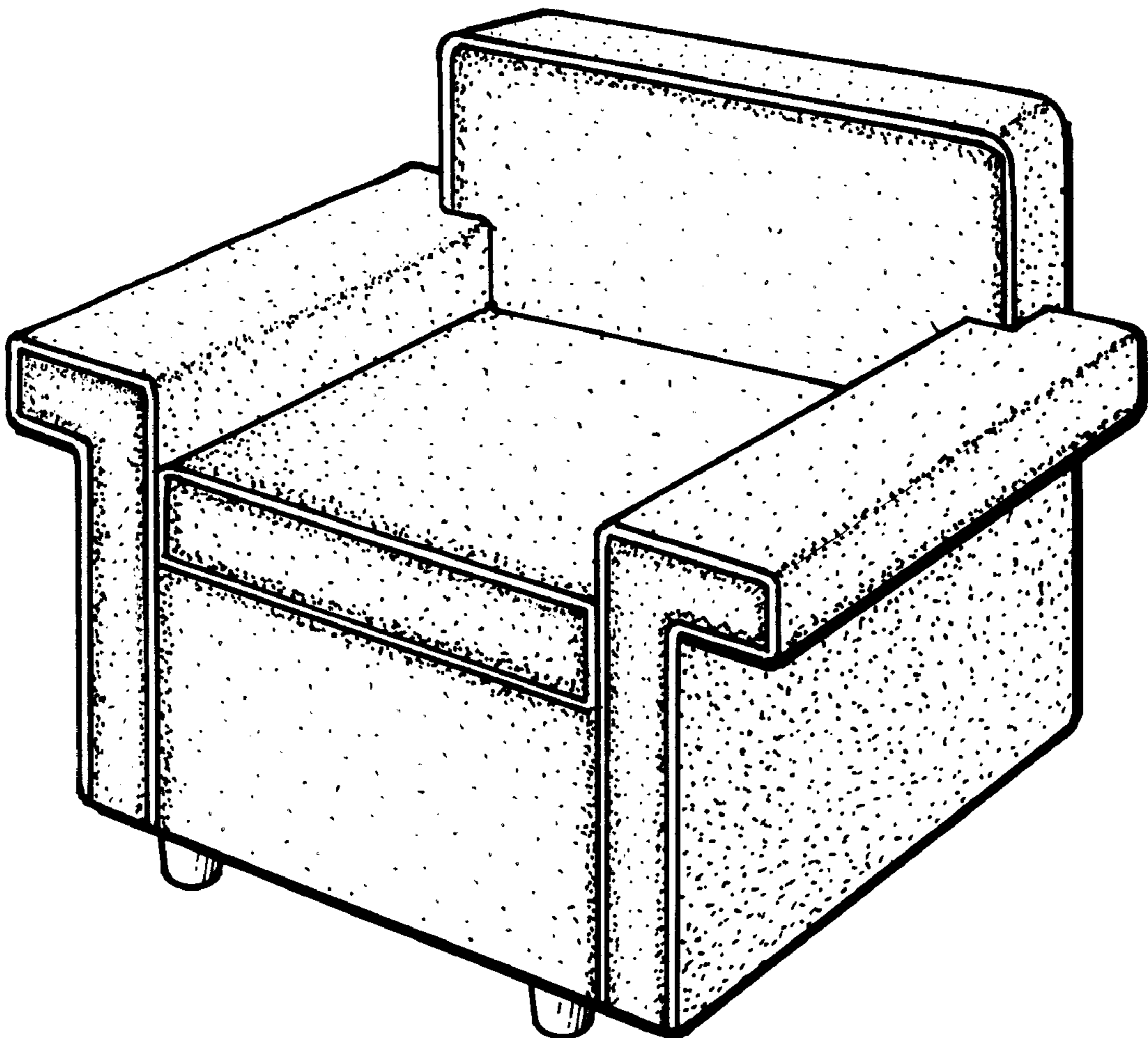


FIG.1

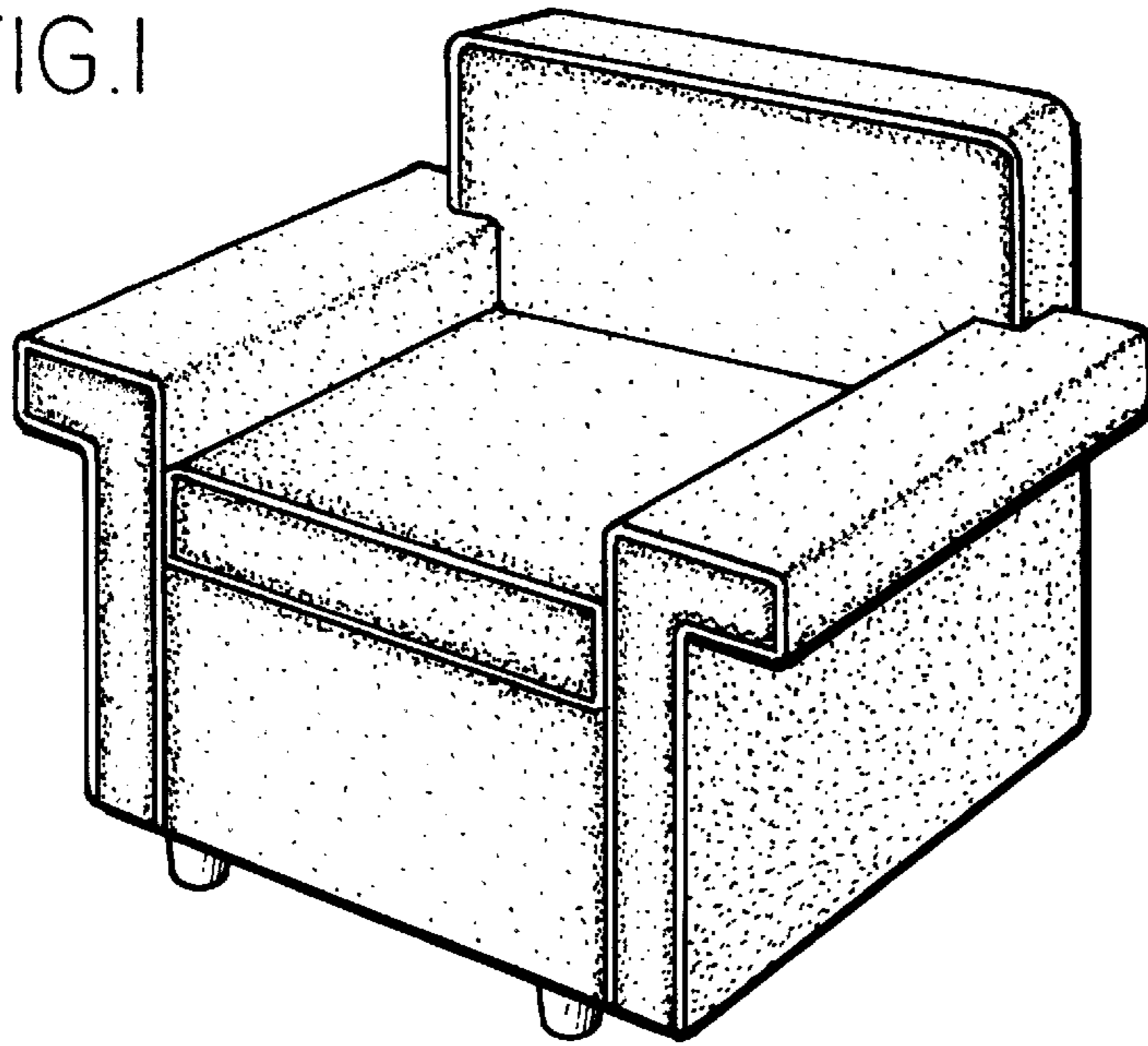


FIG.2

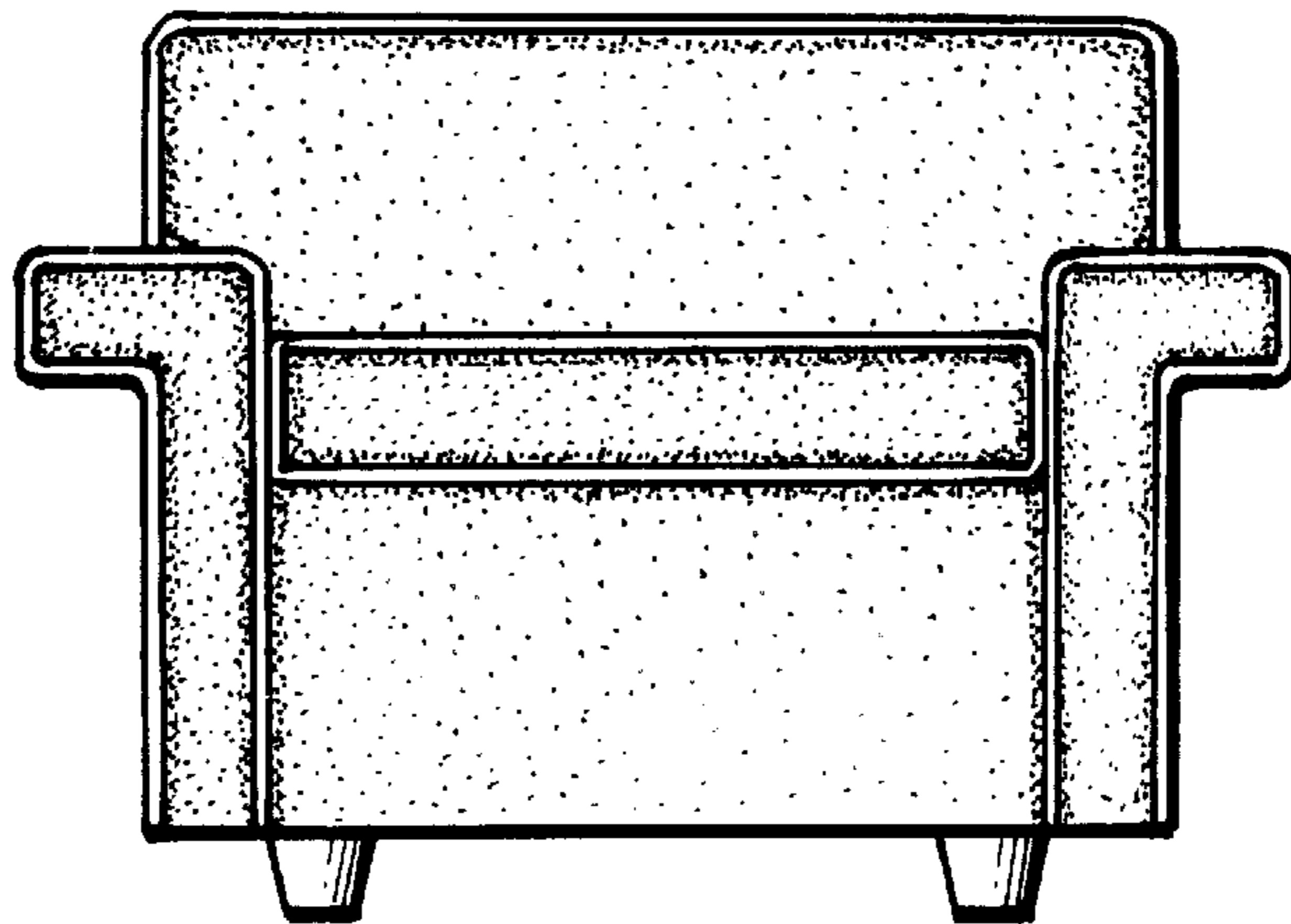


FIG.3

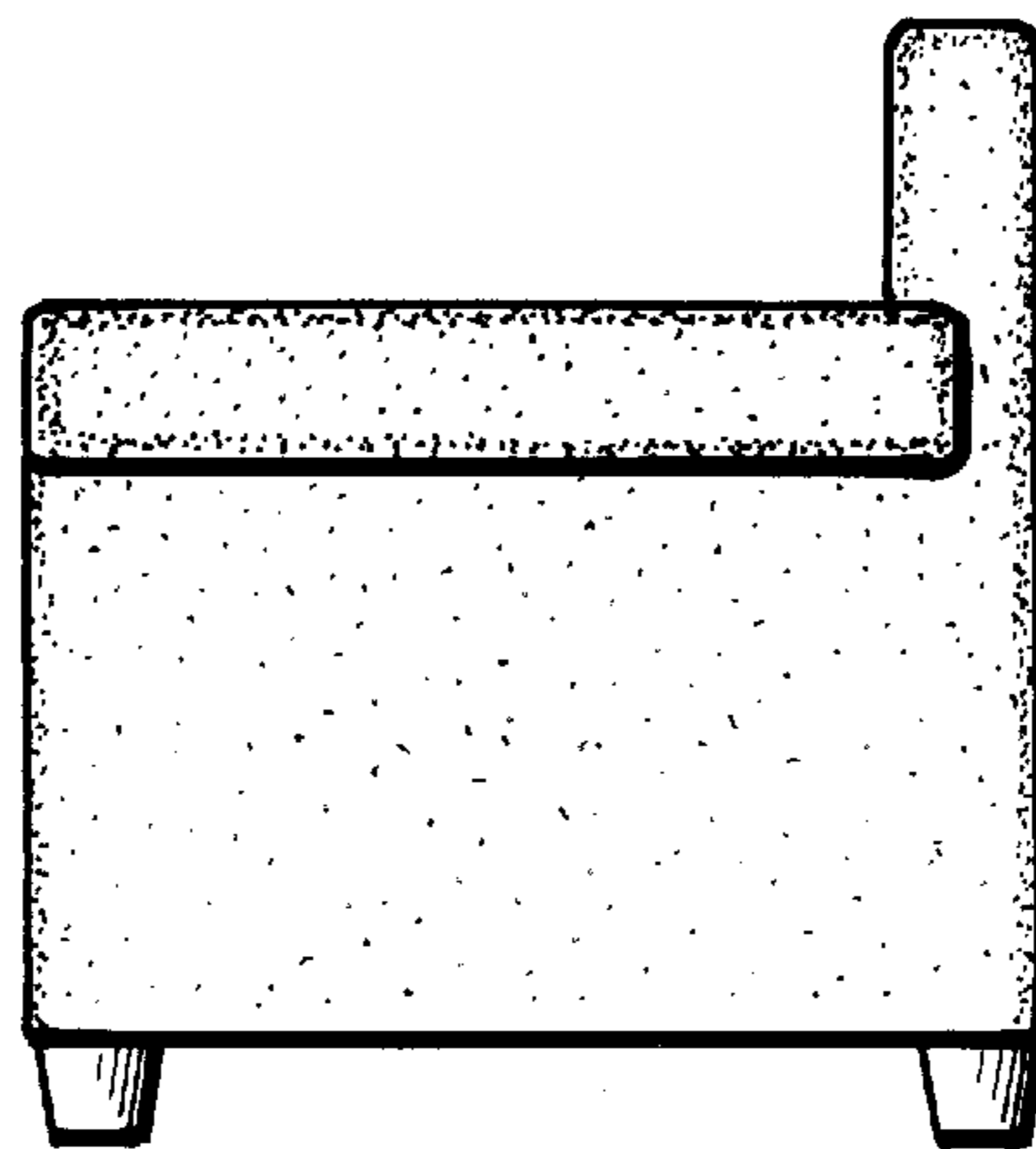


FIG.4

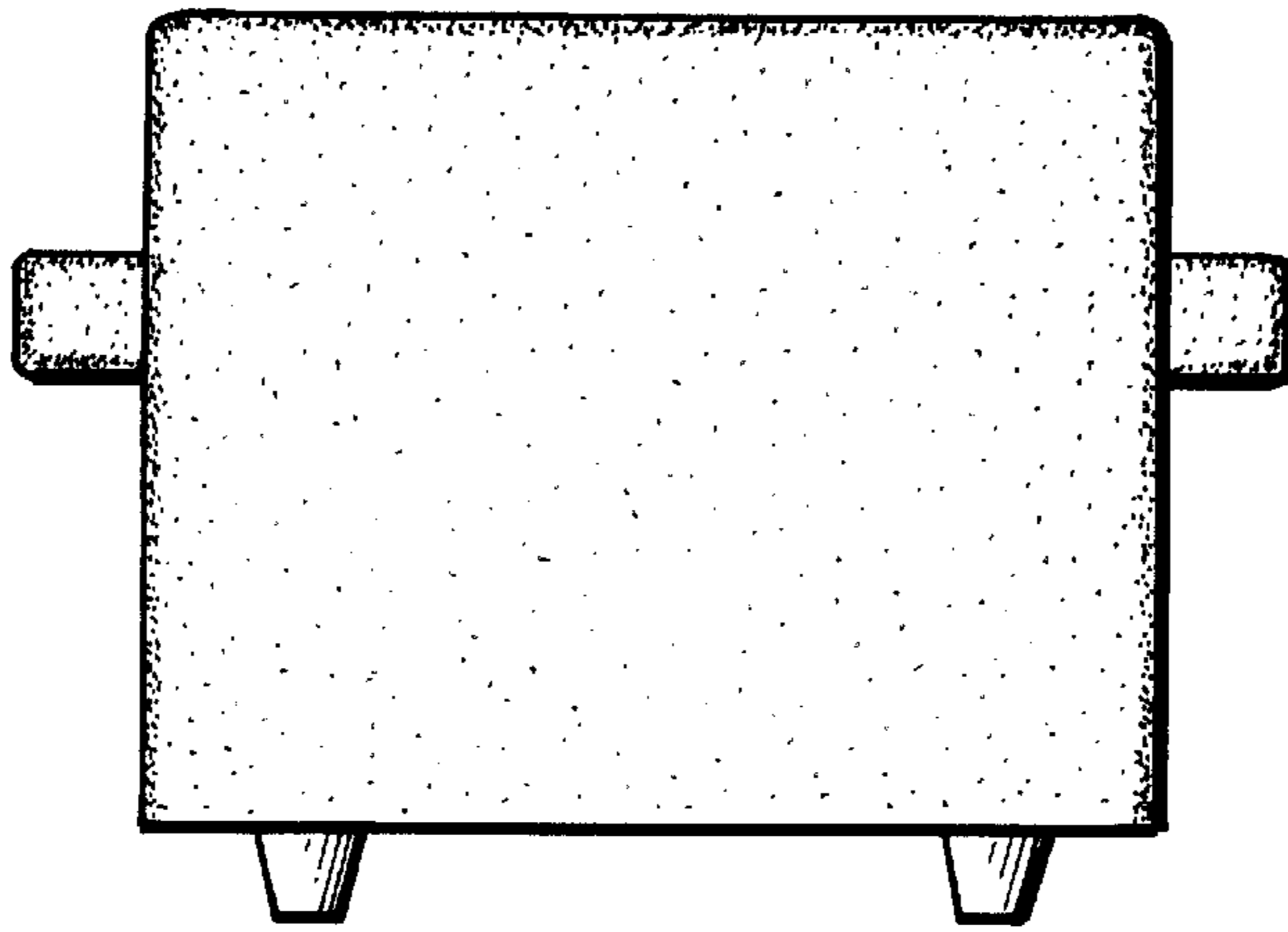


FIG.5

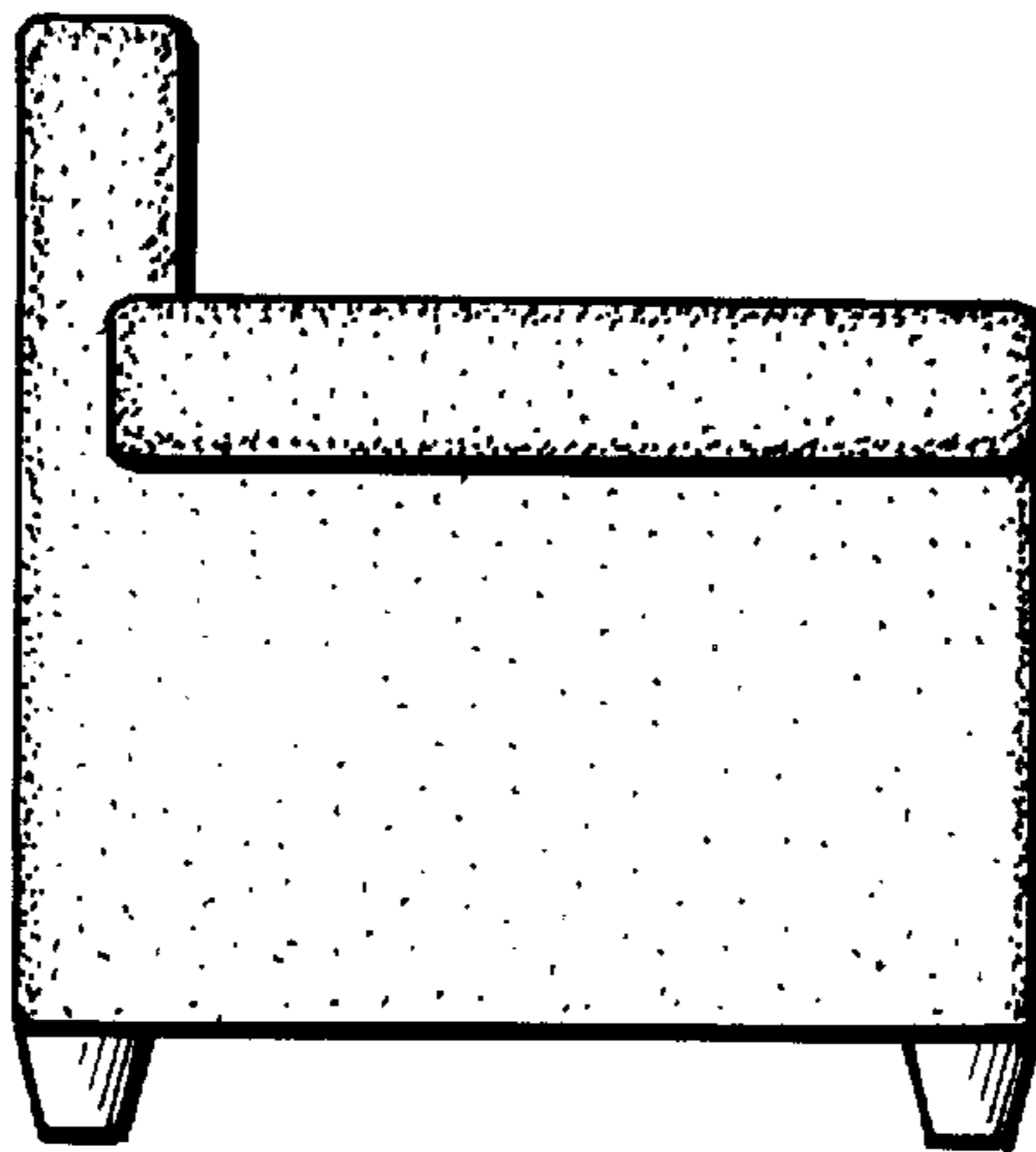


FIG.6

