



US00D440395S

(12) **United States Design Patent**
Zebe, Jr.

(10) **Patent No.: US D440,395 S**

(45) **Date of Patent: ** Apr. 17, 2001**

(54) **SANDAL CLOSURE DEVICE WITH LOOP LEAD**

(76) **Inventor: Charles W. Zebe, Jr., 201 Glen Brook Pl., Hightstown, NJ (US) 08520**

(* **Notice:** This patent is subject to a terminal disclaimer.

(** **Term:** **14 Years**

(21) **Appl. No.: 29/110,619**

(22) **Filed: Sep. 3, 1999**

(51) **LOC (7) Cl. 02-99**

(52) **U.S. Cl. D2/978; D2/973**

(58) **Field of Search D2/972, 973, 978; D3/243; D11/231; 24/712-712.2, 712.4, 712.7, 134 P, 134 R; 36/50.1**

(56) **References Cited**

U.S. PATENT DOCUMENTS

56,806	*	7/1866	Scripture	24/712.7
105,236	*	7/1870	O'Hara	24/712.7
D. 373,464	*	9/1996	Hnarakis	D2/978
D. 375,831	*	11/1996	Perry	D2/978
D. 377,114	*	1/1997	Crowley et al.	D2/978
D. 405,601	*	2/1999	Zebe, Jr.	D2/978
D. 405,602	*	2/1999	Zebe, Jr.	D2/978

D. 422,530	*	4/2000	Zebe, Jr.	D11/231
D. 426,952	*	6/2000	Zebe, Jr.	D3/243
779,710	*	1/1905	Henderson	24/712.2
908,704	*	1/1909	Sprinkle	24/712.1
1,116,142	*	11/1914	Slocum	24/712.2
1,137,381	*	4/1915	Burket	24/712.4
1,530,713	*	3/1925	Clark	24/712.1
1,544,225	*	6/1925	De Arros	24/712.7
2,254,579	*	9/1941	Okie	24/712.1
4,899,423	*	2/1990	Randall	24/134 R
4,956,897	*	9/1990	Speedie	24/134 P
5,996,256	*	12/1999	Zebe, Jr.	36/50.1

* cited by examiner

Primary Examiner—Dominic Simone

(74) *Attorney, Agent, or Firm*—Sperry, Zoda & Kane

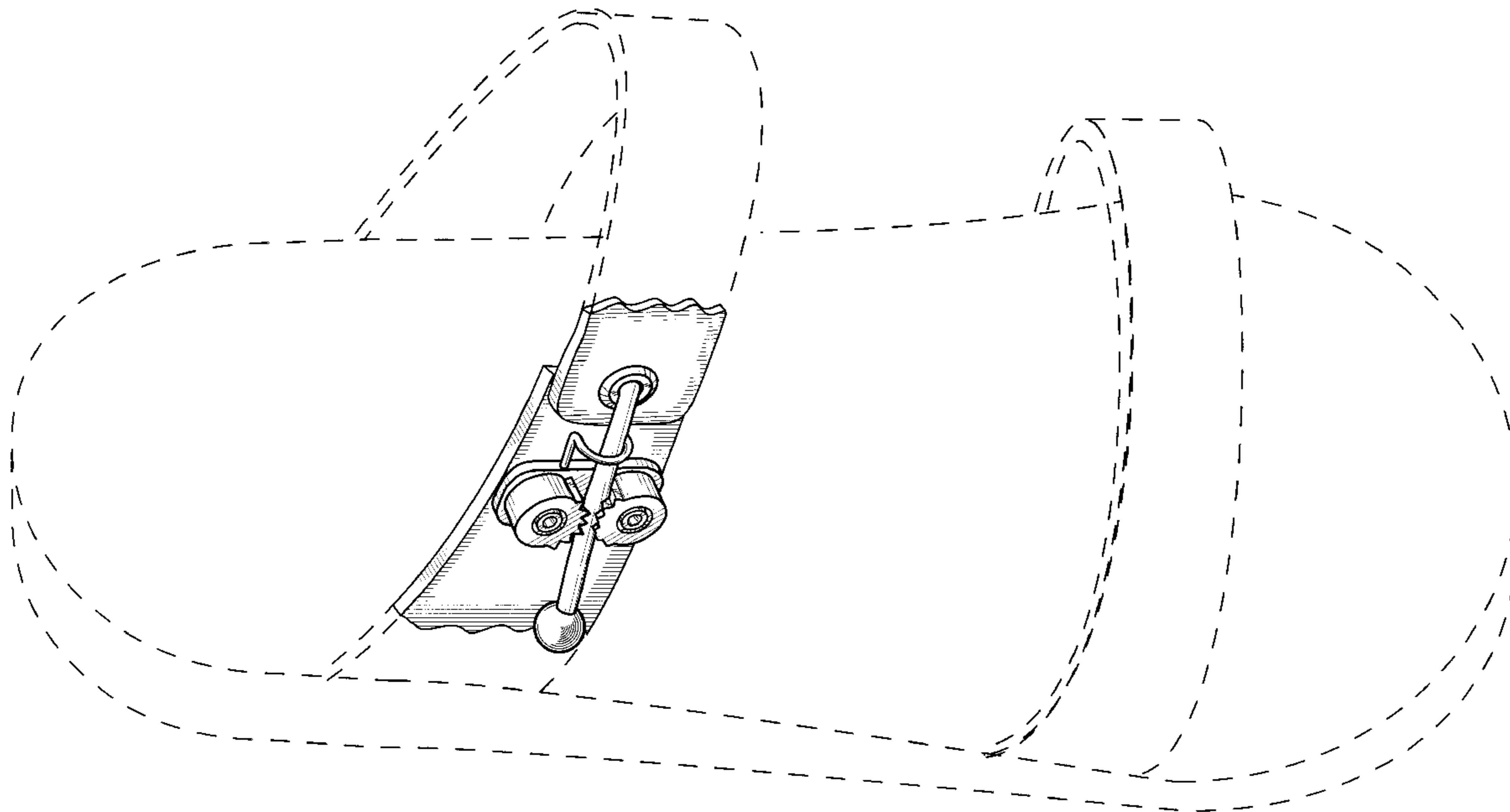
(57) **CLAIM**

The ornamental design for a sandal closure device with loop lead, as shown.

DESCRIPTION

FIG. 1 is a front three-quarter perspective view embodying my new design;
FIG. 2 is a top plan view;
FIG. 3 is a front plan view;
FIG. 4 is a side plan view; and,
FIG. 5 is a bottom plan view.

1 Claim, 2 Drawing Sheets



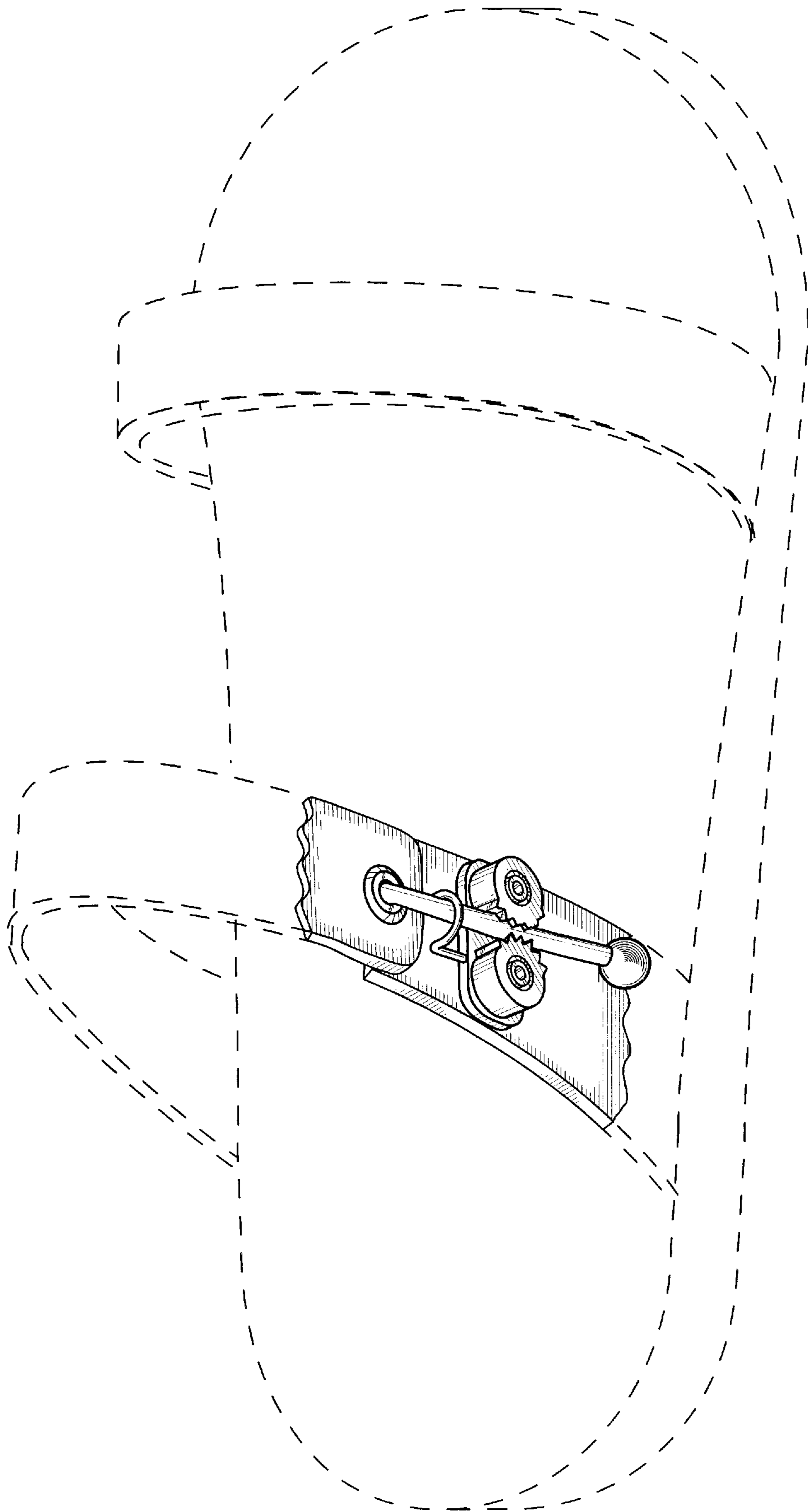


FIG. 1

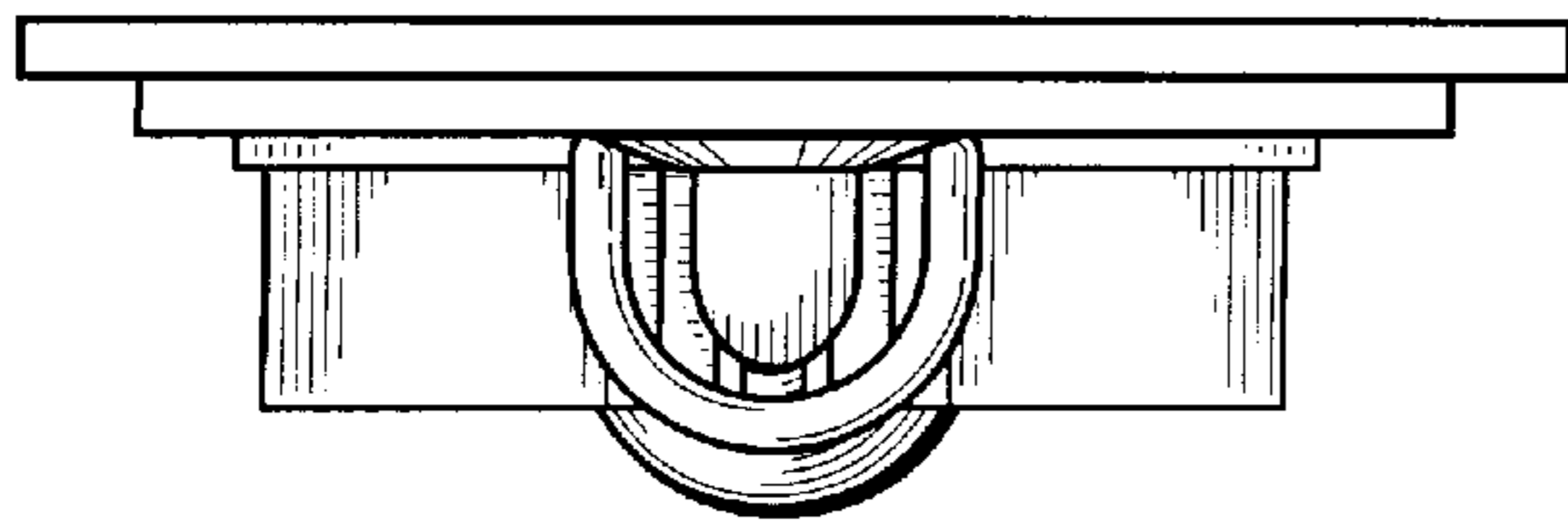


FIG. 2

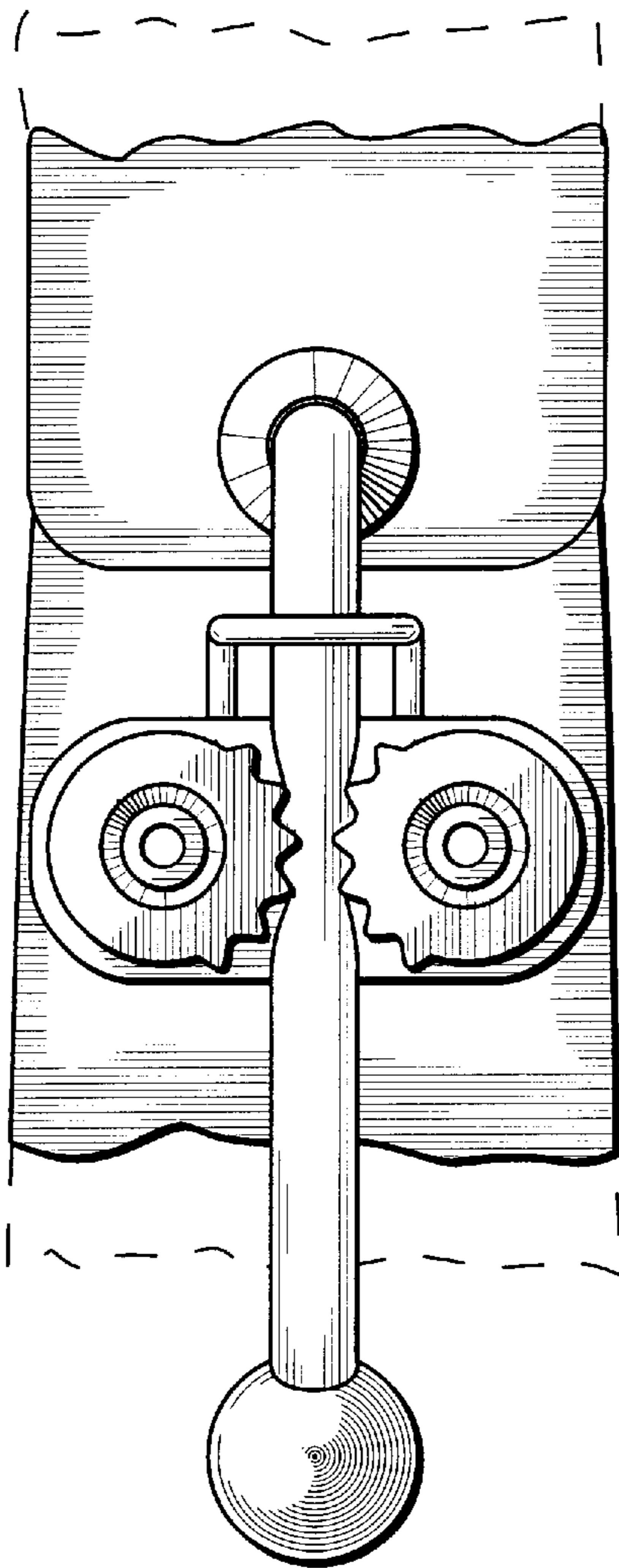


FIG. 3

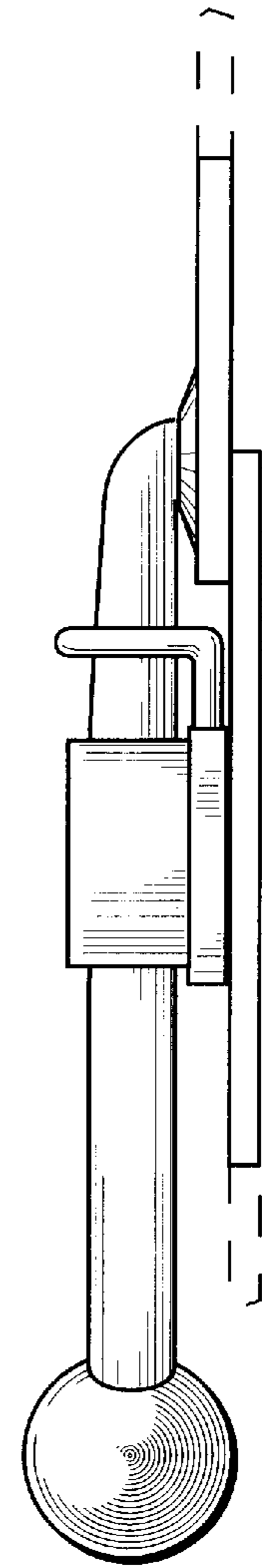


FIG. 4

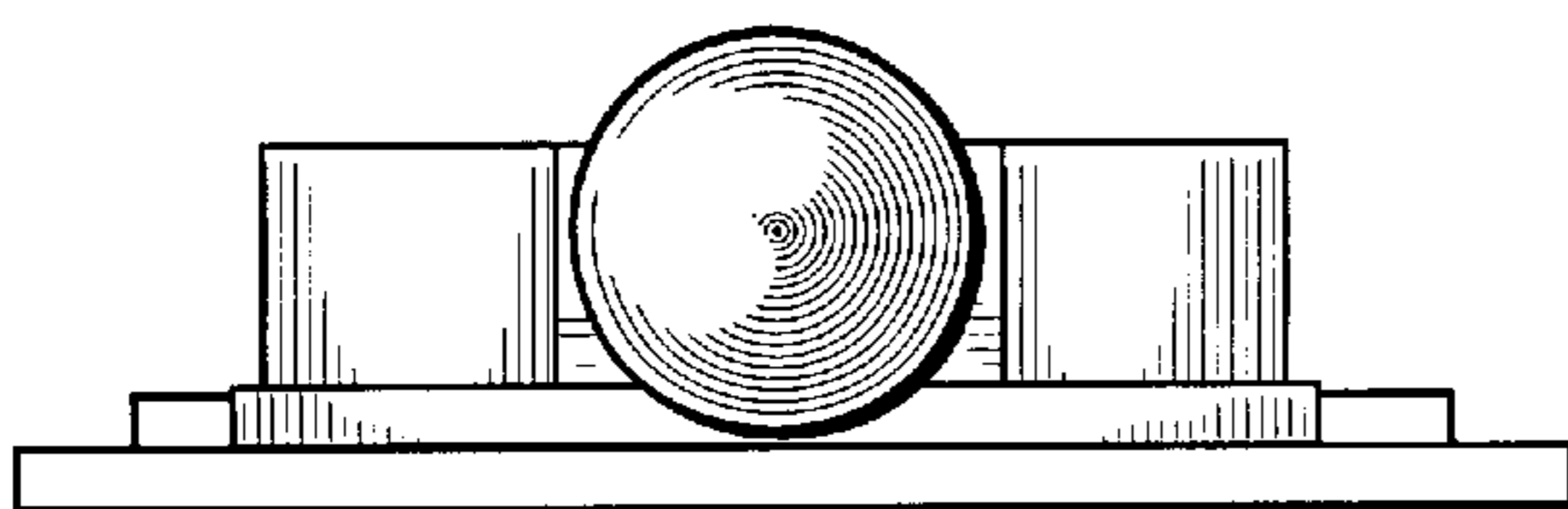


FIG. 5