



US00D440379S

(12) **United States Design Patent**  
**Breier**

(10) **Patent No.:** **US D440,379 S**

(45) **Date of Patent:** **\*\* Apr. 17, 2001**

(54) **OVERALLS WITH ORNAMENTAL PATCHES**

(76) Inventor: **Edward E. Breier**, 75 Smith Creek Rd., Garden Valley, ID (US) 83622

(\*\*) Term: **14 Years**

(21) Appl. No.: **29/114,470**

(22) Filed: **Nov. 23, 1999**

(51) **LOC (7) Cl.** ..... **02-02**

(52) **U.S. Cl.** ..... **D2/743; D2/728**

(58) **Field of Search** ..... D2/712, 713, 714,  
D2/742, 743, 744, 745, 860, 747; 2/227,  
228, 46, 79, 80, 82

(56) **References Cited**

**U.S. PATENT DOCUMENTS**

D. 253,016	10/1979	Frank	.....	D2/146
D. 266,965	11/1982	Rofrano	.....	D2/28
D. 294,651	3/1988	Ferré	.....	D2/25
D. 298,380	11/1988	Clutts, Sr.	.....	D2/29
D. 311,805	11/1990	Hayko	.....	D2/29
D. 313,691	1/1991	Bassett et al.	.....	D2/29
D. 319,922	9/1991	Flake	.....	D3/100
D. 343,944	2/1994	Krugler	.....	D2/857
D. 355,752	2/1995	Abbott	.....	D2/857
D. 362,950	10/1995	Molino	.....	D2/857
D. 364,725	12/1995	Farnsworth	.....	D2/746
D. 373,892 *	9/1996	Landwehr	.....	D2/747
D. 385,086	10/1997	McKenna	.....	D2/742
D. 393,141	4/1998	Glycenfer	.....	D2/742
D. 400,689	11/1998	Engling	.....	D2/743
914,296 *	3/1909	Melasky	.....	2/79
1,210,342 *	12/1916	Merritt	.....	2/79
1,726,951 *	9/1929	Evanove	.....	2/227
2,355,193 *	8/1944	Walker	.....	2/79
2,507,382 *	5/1950	Norvich	.....	2/80

3,206,767 *	9/1965	Meisberger	.....	2/79
4,993,077 *	2/1991	Robison	.....	2/82
6,115,838 *	9/2000	Scholtis et al.	.....	2/46

\* cited by examiner

*Primary Examiner*—Celia Murphy

(74) *Attorney, Agent, or Firm*—Ken J. Pedersen; Barbara S. Pedersen

(57) **CLAIM**

The ornamental design for overalls with ornamental patches, as shown and described.

**DESCRIPTION**

FIG. 1 is a back side perspective view of the present invention.

FIG. 2 is a front view of the embodiment depicted in FIG. 1;

FIG. 3 is a back view of the embodiment depicted in FIG. 1;

FIG. 4 is a left side view of the embodiment depicted in FIG. 1;

FIG. 5 is a right side view of the embodiment depicted in FIG. 1;

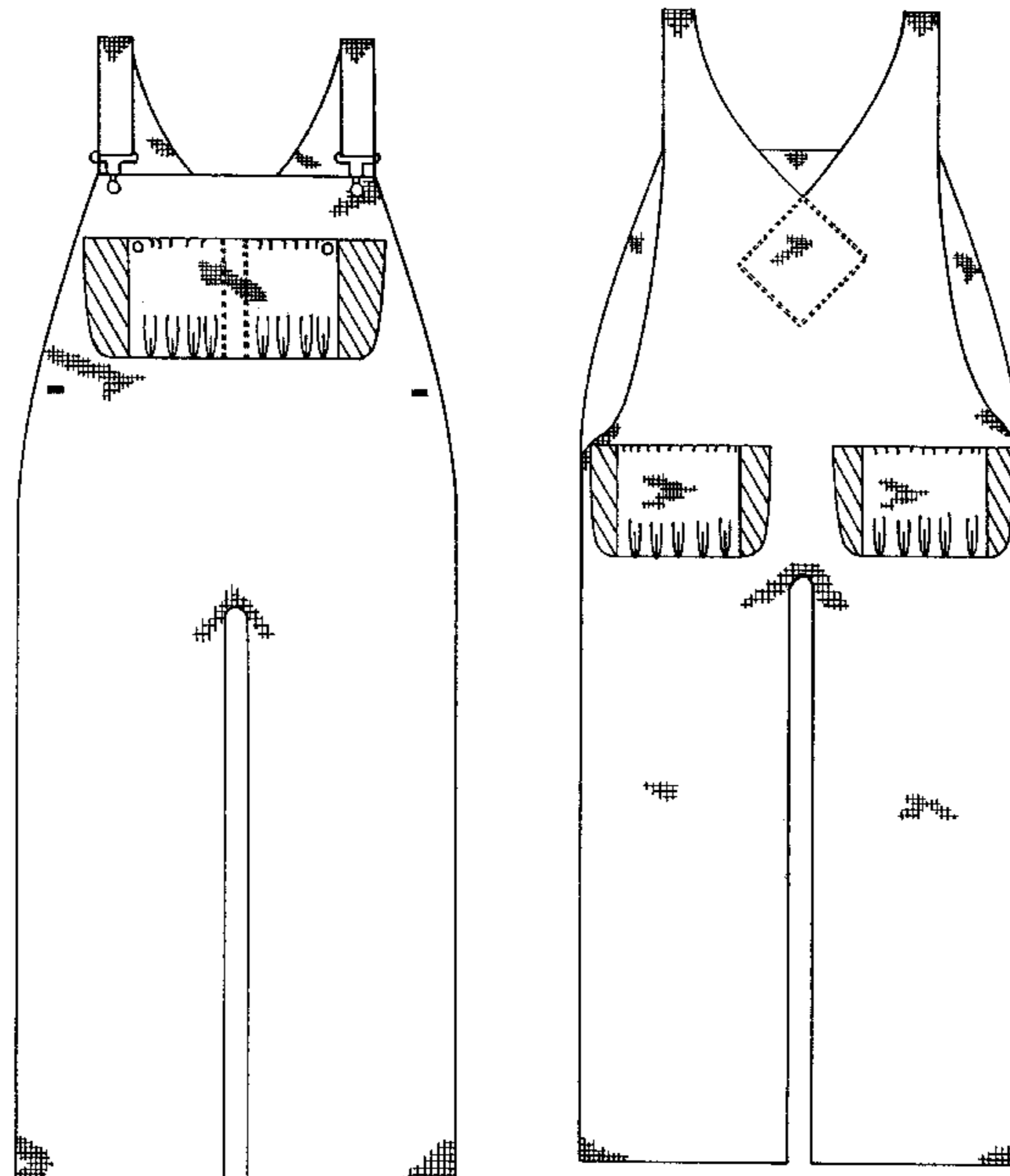
FIG. 6 is top view of the embodiment depicted in FIG. 1; and,

FIG. 7 is a bottom view of the embodiment depicted in FIG. 1.

In all of the Figures the diagonal lines represent a contrasting fabric, relative to the overalls fabric.

The broken lines shown directly on the surface of the claimed article, throughout the views, are understood to represent stitching. The broken lines showing a human figure in FIG. 1 is for environmental purposes only; forming no part of the claimed design.

**1 Claim, 5 Drawing Sheets**



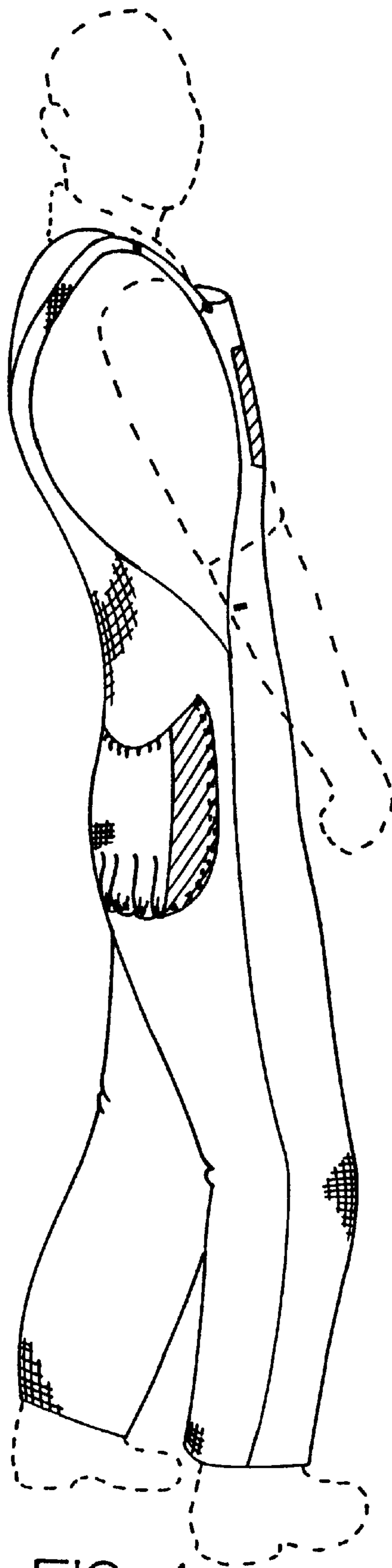


FIG. 1

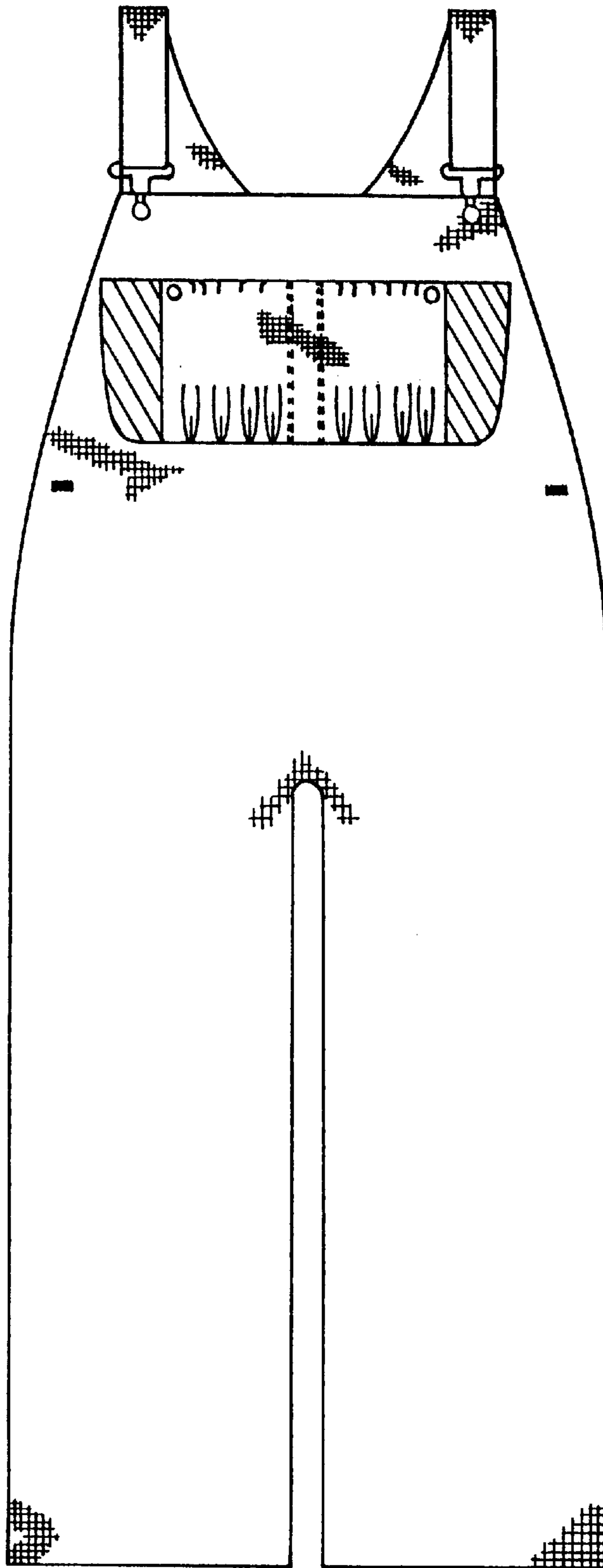


FIG. 2

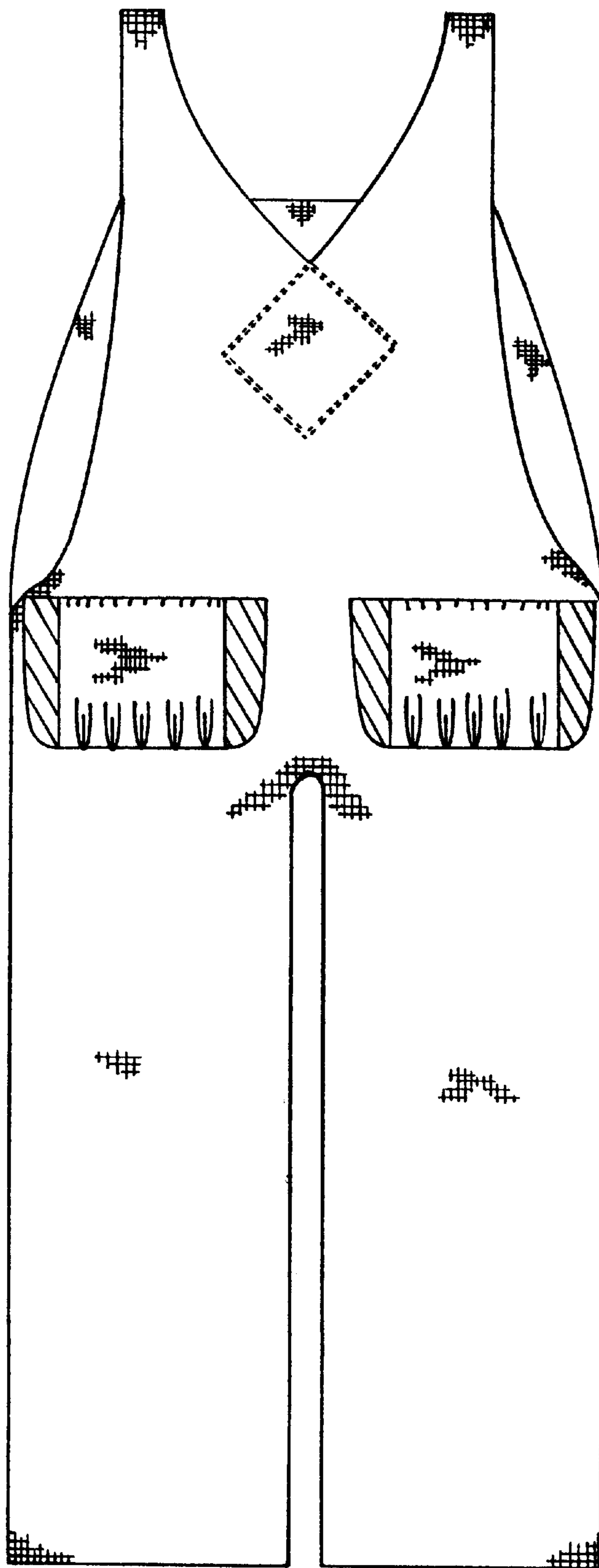


FIG. 3

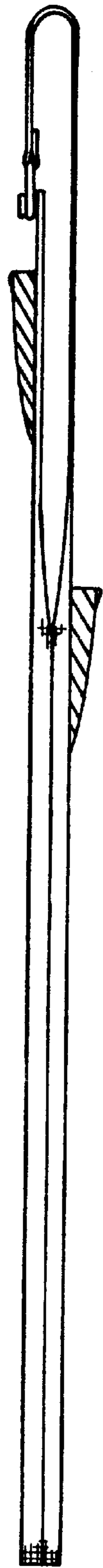


FIG. 4



FIG. 5

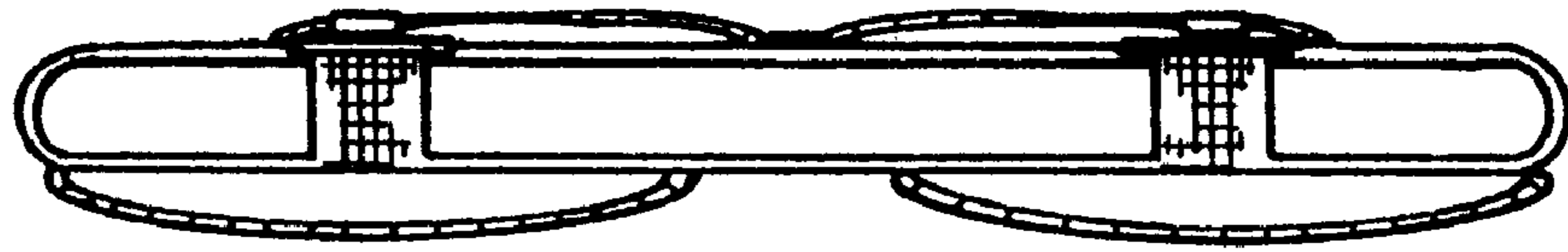


FIG. 6

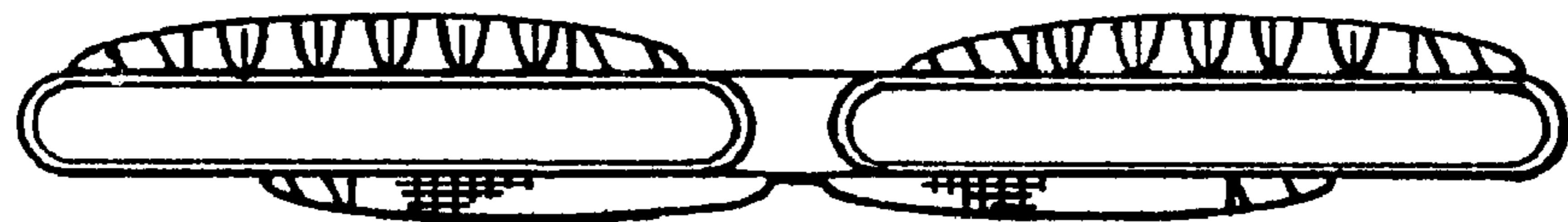


FIG. 7