



US00D440374S

(12) **United States Design Patent**  
**Basile, II**

(10) **Patent No.:** **US D440,374 S**

(45) **Date of Patent:** **\*\* Apr. 10, 2001**

- (54) **SAUSAGE CONVEYOR HOOK**
- (75) Inventor: **Vincent L. Basile, II**, West Des Moines, IA (US)
- (73) Assignee: **Townsend Engineering Company**, Des Moines, IA (US)
- (\*\*) Term: **14 Years**
- (21) Appl. No.: **29/123,112**
- (22) Filed: **May 11, 2000**
- (51) **LOC (7) Cl.** ..... **12-05**
- (52) **U.S. Cl.** ..... **D34/35; D8/367; D34/9**
- (58) **Field of Search** ..... **D8/367, 373; D34/35, D34/29; 452/166, 167, 168, 170, 184, 179, 188, 30, 32, 51**

4,524,488	*	6/1985	Van Den Bogert	.....	452/168
5,092,815	*	3/1992	Polkinghorne	.....	452/179
5,197,915	*	3/1993	Nakamura et al.	.....	452/51
5,487,700	*	1/1996	Dillard	.....	452/188

\* cited by examiner

*Primary Examiner*—Cynthia E Ramirez

(74) *Attorney, Agent, or Firm*—Zarley, McKee, Thomte, Voorhees & Sease

(57) **CLAIM**

I claim the ornamental design for a sausage conveyor hook, as shown and described.

**DESCRIPTION**

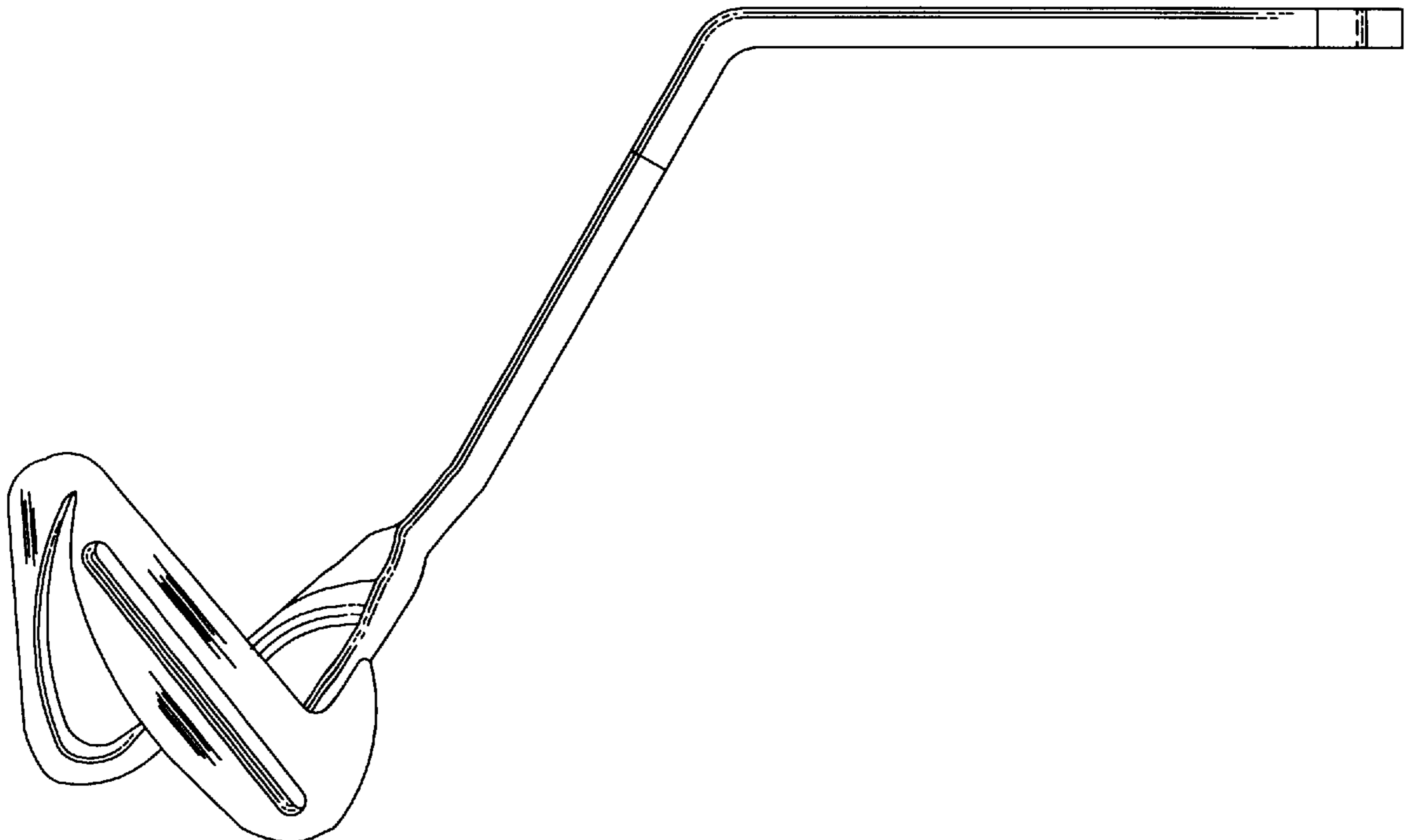
FIG. 1 is a right elevational view of a sausage conveyor hook showing my new design;  
 FIG. 2 is a left elevational view thereof;  
 FIG. 3 is a top plan view thereof;  
 FIG. 4 is a bottom plan view thereof as seen from the left-hand side of FIG. 1;  
 FIG. 5 is a front elevational view; and,  
 FIG. 6 is a rear elevational view as seen from the right-hand side of FIG. 1.

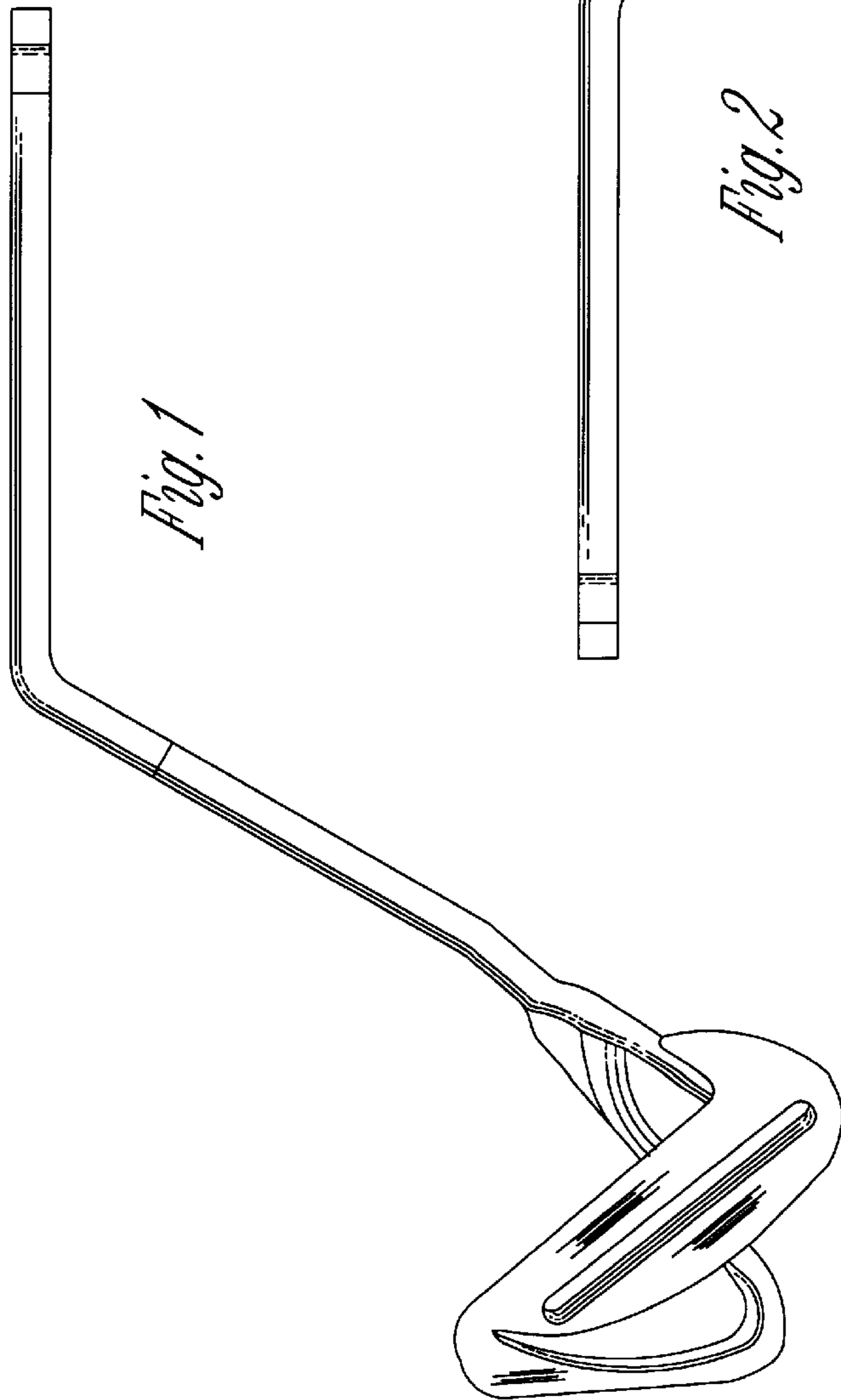
(56) **References Cited**

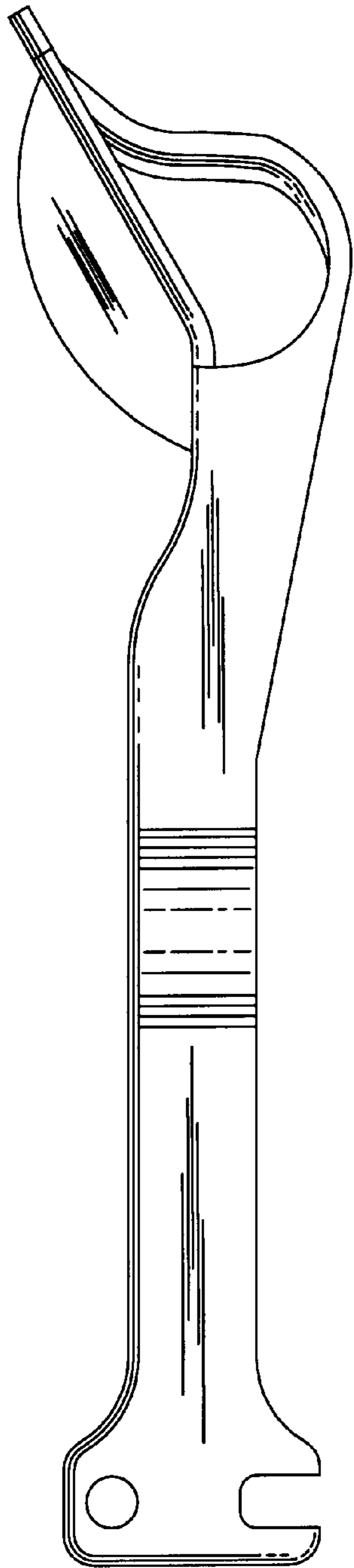
**U.S. PATENT DOCUMENTS**

D. 227,393	*	6/1973	Bickham	.....	D8/367
D. 397,287		8/1998	Hergott et al.	.....	D8/367
D. 429,626	*	8/2000	Hearn et al.	.....	D8/367
4,233,709	*	11/1980	Smith et al.	.....	452/51
4,372,009	*	2/1983	Linville	.....	452/167

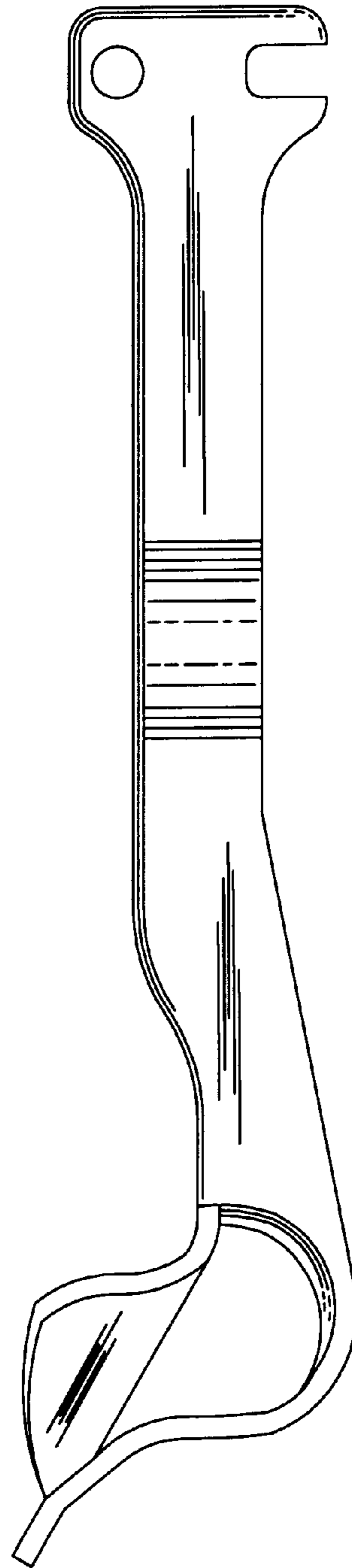
**1 Claim, 3 Drawing Sheets**



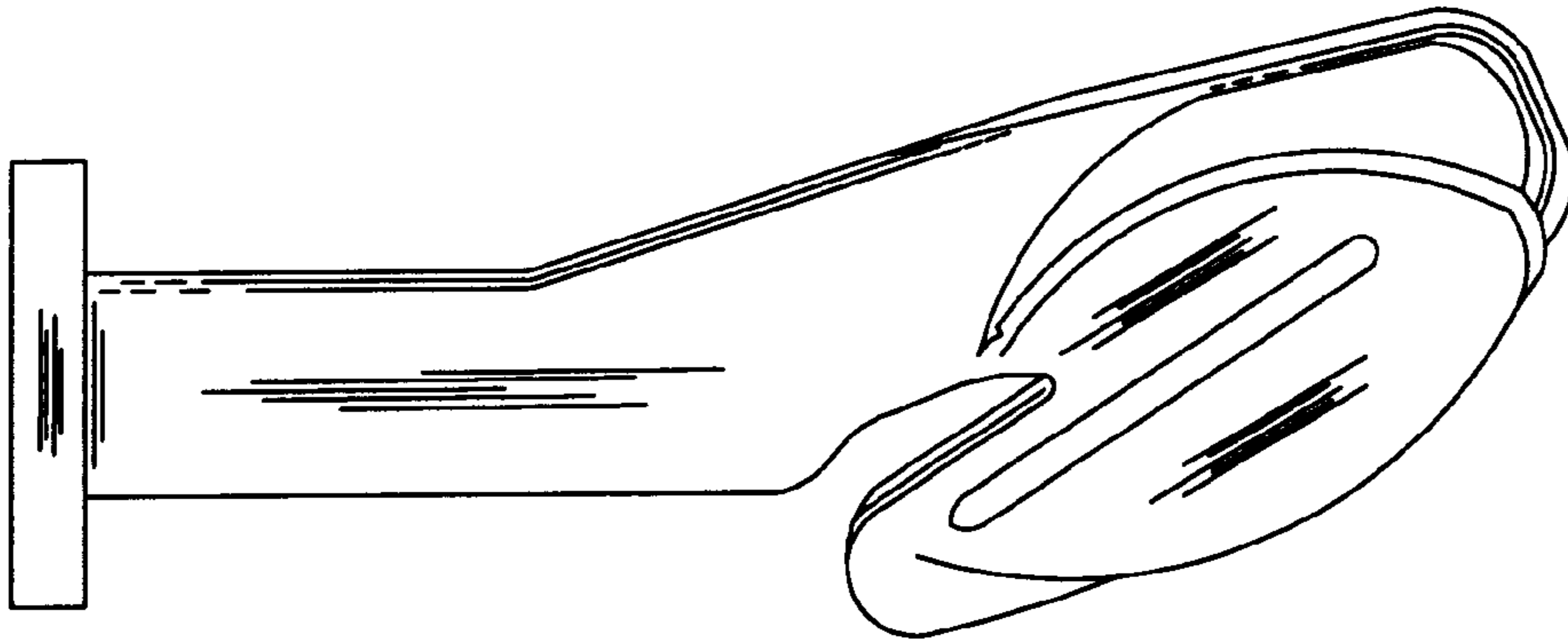




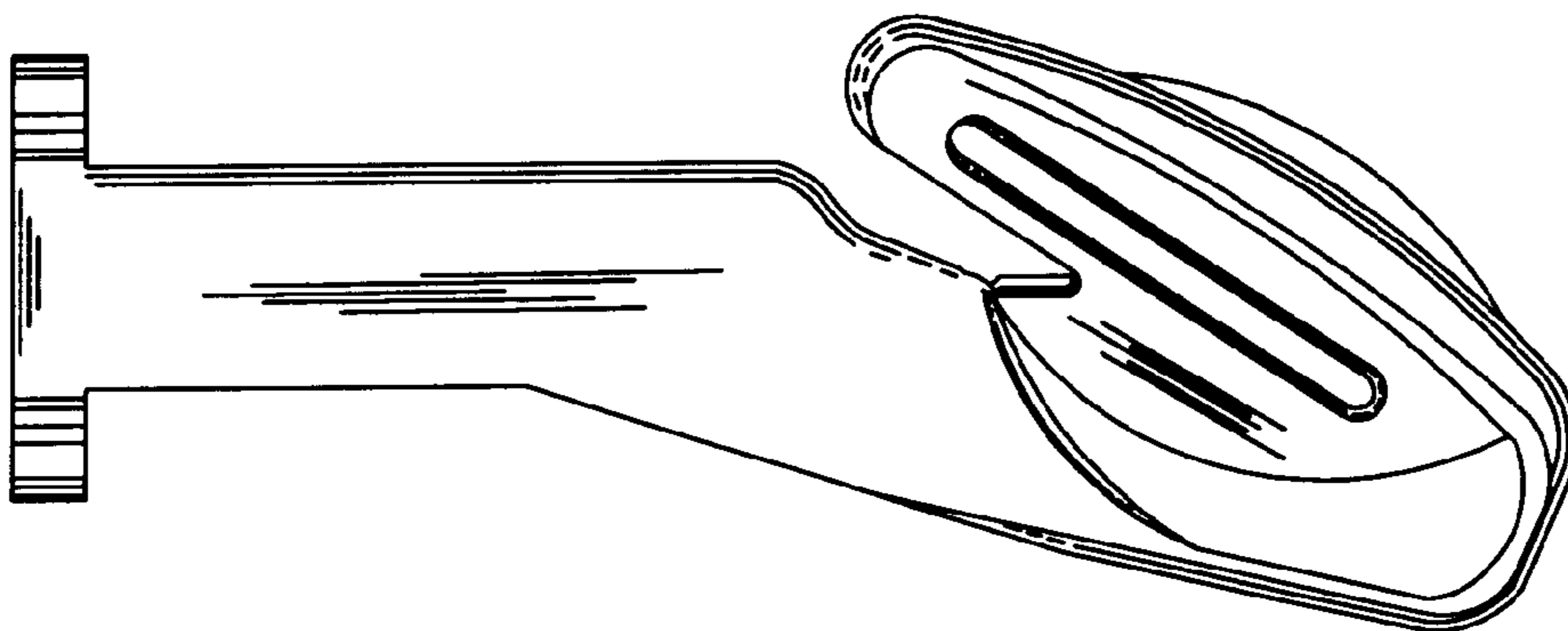
*Fig. 3*



*Fig. 4*



*Fig. 6*



*Fig. 5*