



US00D440373S

(12) **United States Design Patent**
Meinhardt

(10) **Patent No.:** **US D440,373 S**

(45) **Date of Patent:** **** Apr. 10, 2001**

(54) **INDUSTRIAL TRUCK**

(75) Inventor: **Michael Meinhardt**, Reutlingen (DE)

(73) Assignee: **Still Wagner GmbH & Co. KG** (DE)

(**) Term: **14 Years**

(21) Appl. No.: **29/094,671**

(22) Filed: **Oct. 7, 1998**

(30) **Foreign Application Priority Data**

Apr. 8, 1998 (DE) M 98 03 657

(51) **LOC (7) Cl.** **12-05**

(52) **U.S. Cl.** **D34/34**

(58) **Field of Search** D34/31, 34, 28,
D34/37; 180/89.12, 89.13, 89.17; 187/222;
414/572, 592, 785

(56) **References Cited**

U.S. PATENT DOCUMENTS

- D. 160,483 * 10/1950 Davies D34/34
- D. 312,909 * 12/1990 Larsen et al. D34/34
- D. 358,925 * 5/1995 Chung et al. D34/34
- D. 370,761 * 6/1996 Stark D34/34
- 3,827,532 * 8/1974 Minich, Jr. et al. 187/222

- 5,135,080 * 8/1992 Haston 187/222
- 5,890,562 * 4/1999 Bartels et al. 187/222 X
- 5,918,693 * 7/1999 Mantovani et al. 180/89.13

* cited by examiner

Primary Examiner—Cynthia E Ramirez

(74) *Attorney, Agent, or Firm*—Webb Ziesenheim Logsdon Orkin & Hanson, P.C.

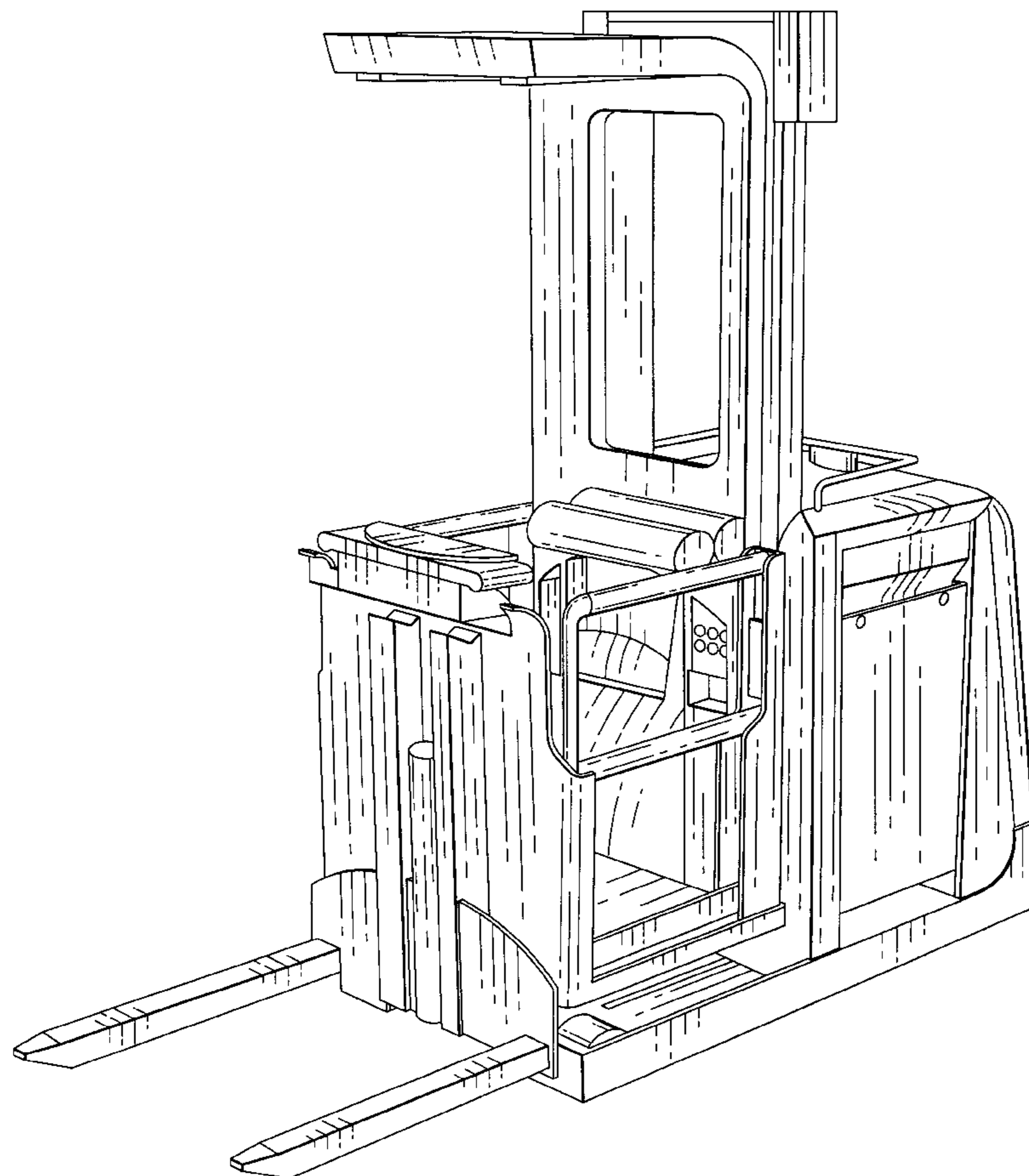
(57) **CLAIM**

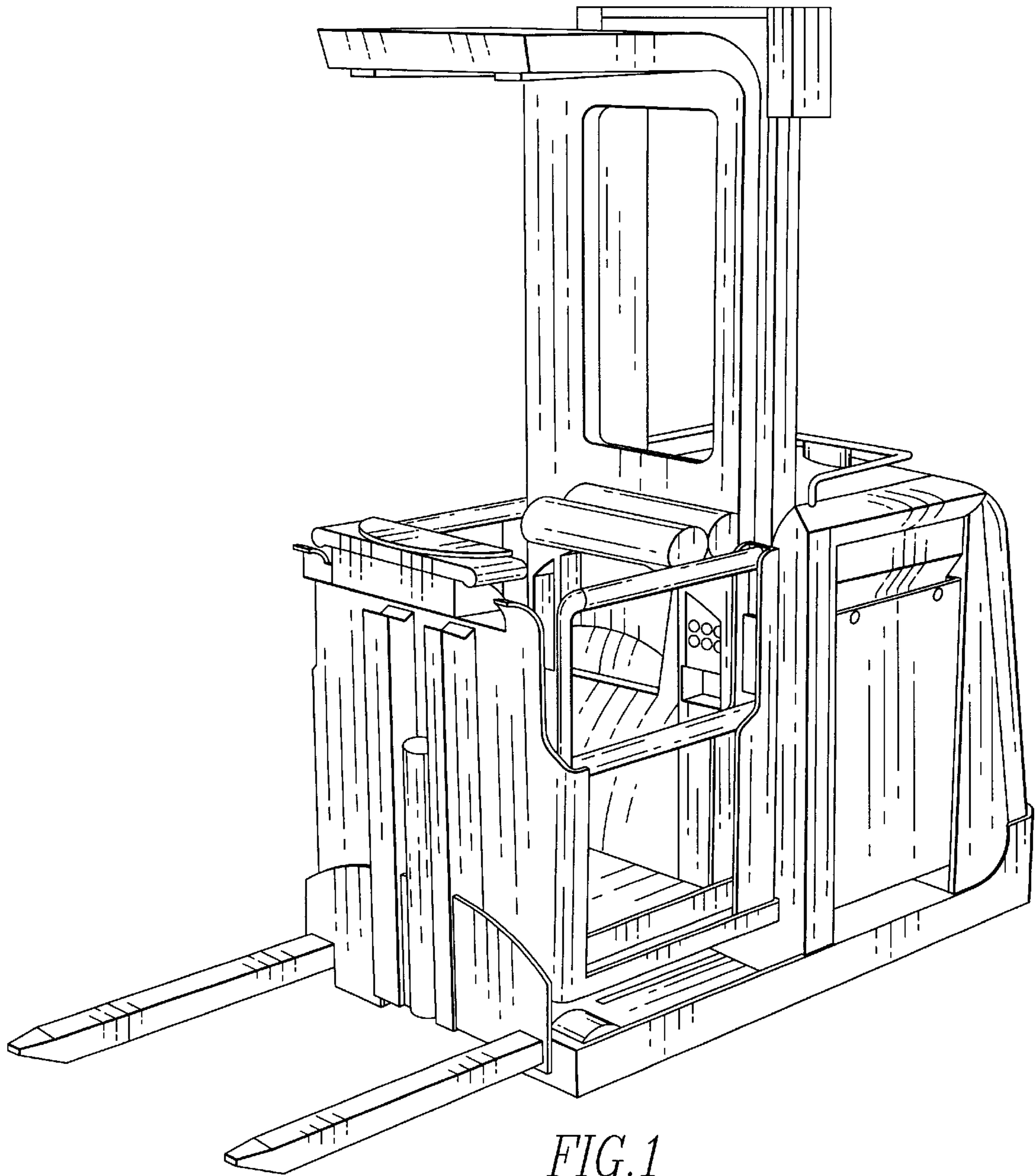
The new and ornamental design for an industrial truck, as shown and described.

DESCRIPTION

FIG. 1 is a perspective view of an industrial truck taken from the left front showing my new design;
 FIG. 2 is a perspective view thereof taken from the left rear;
 FIG. 3 is a perspective view thereof taken from the right front;
 FIG. 4 is a front elevation view thereof;
 FIG. 5 is a rear elevation view thereof;
 FIG. 6 is a top plan view thereof;
 FIG. 7 is a right side elevation view thereof;
 FIG. 8 is a left side elevation view thereof; and,
 FIG. 9 is a bottom plan view thereof.

1 Claim, 9 Drawing Sheets





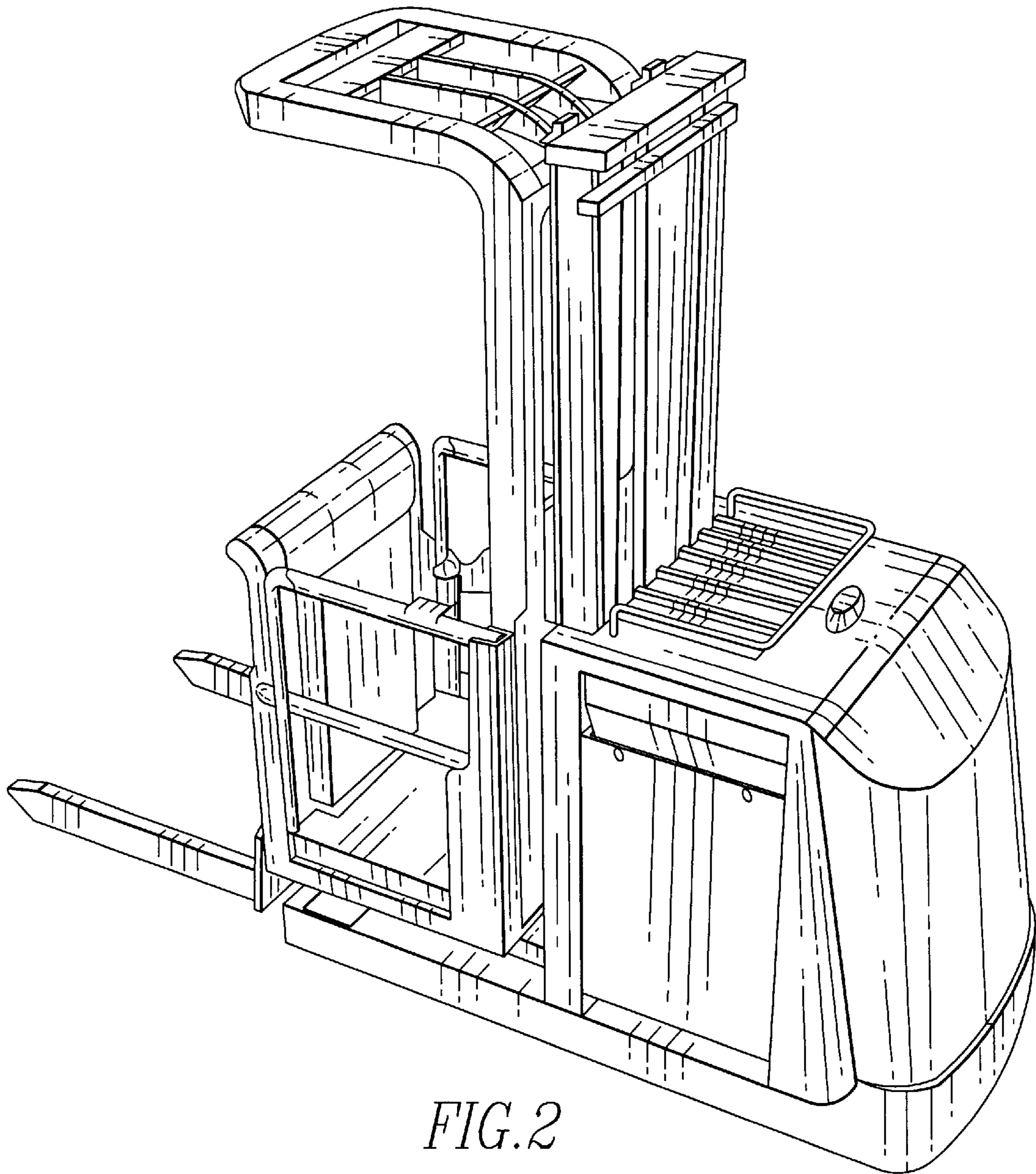
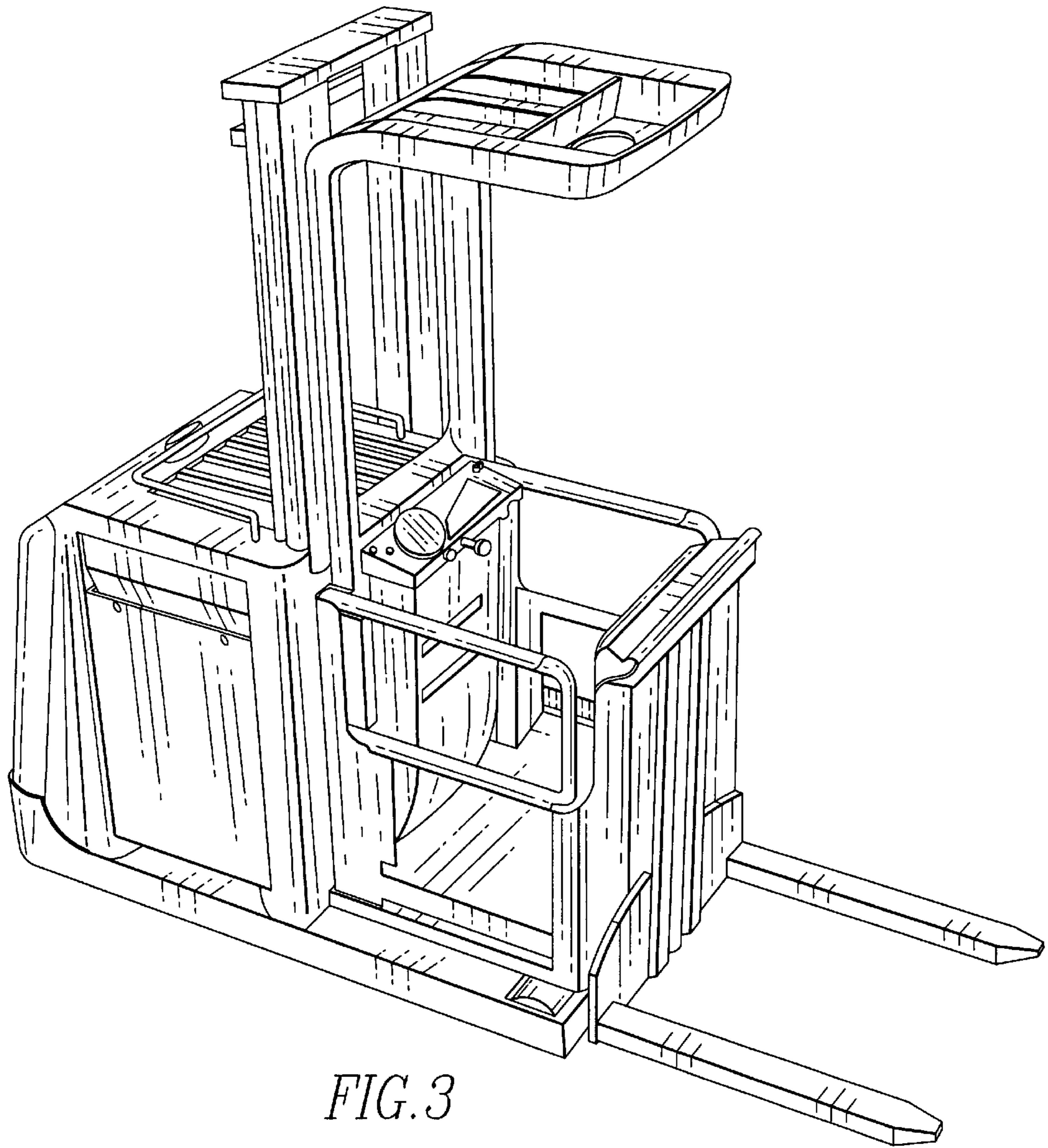


FIG. 2



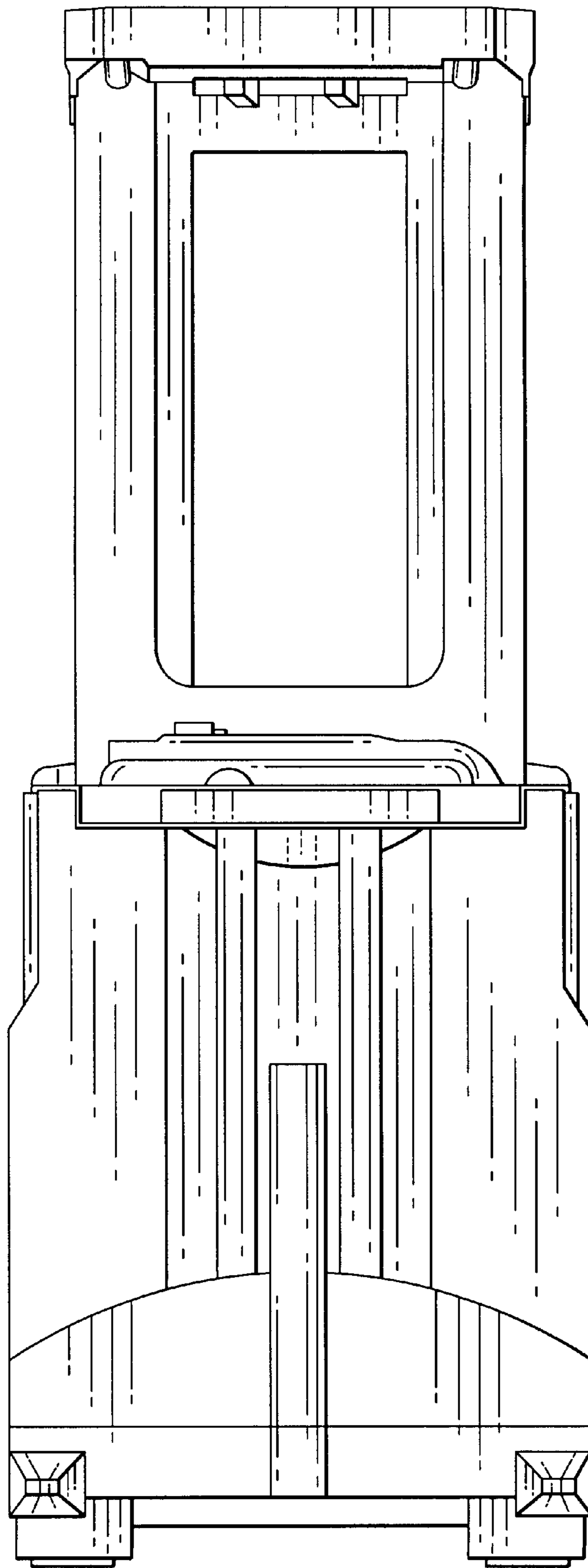


FIG. 4

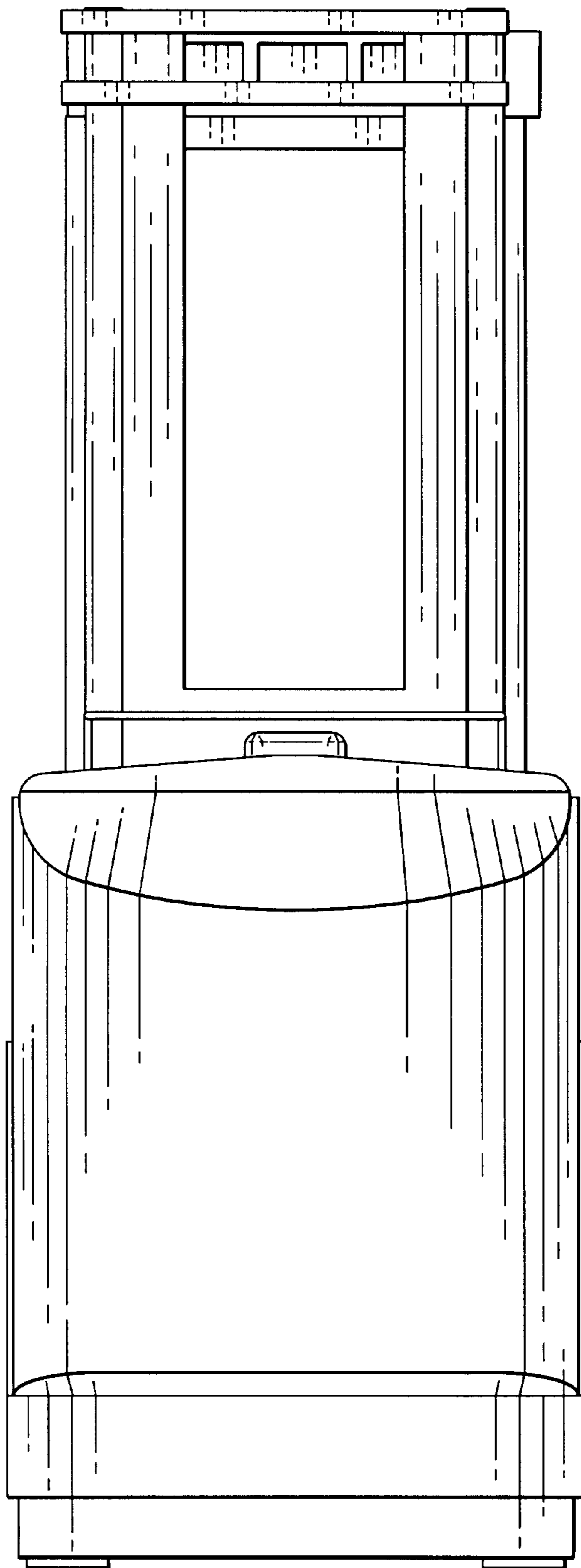


FIG. 5

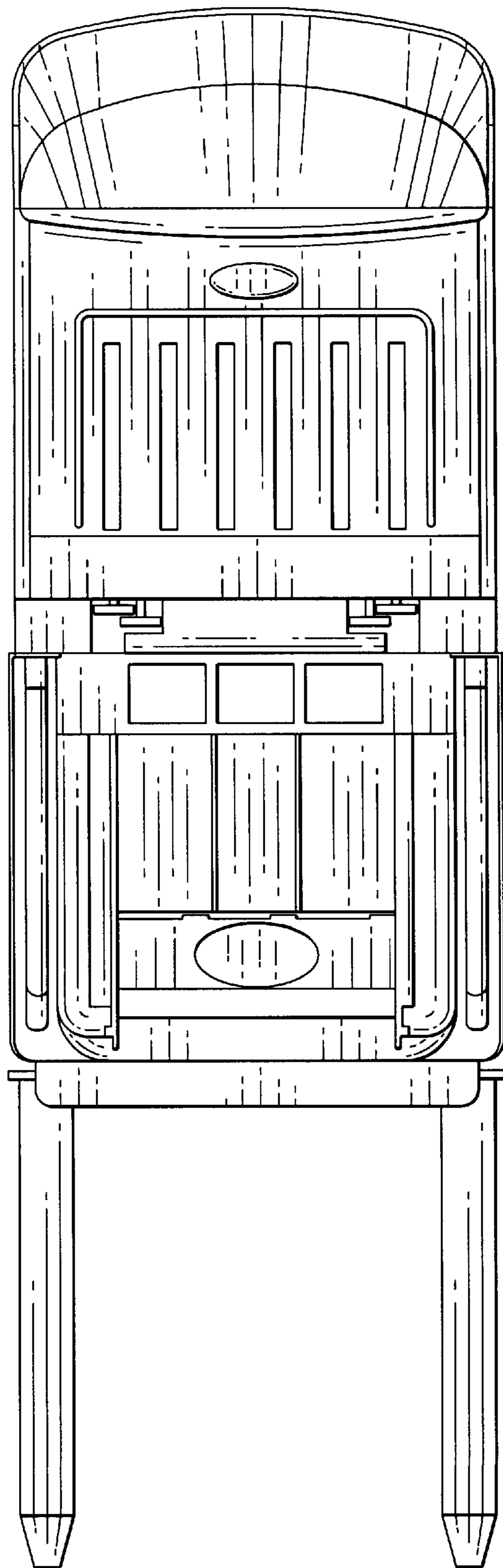


FIG. 6

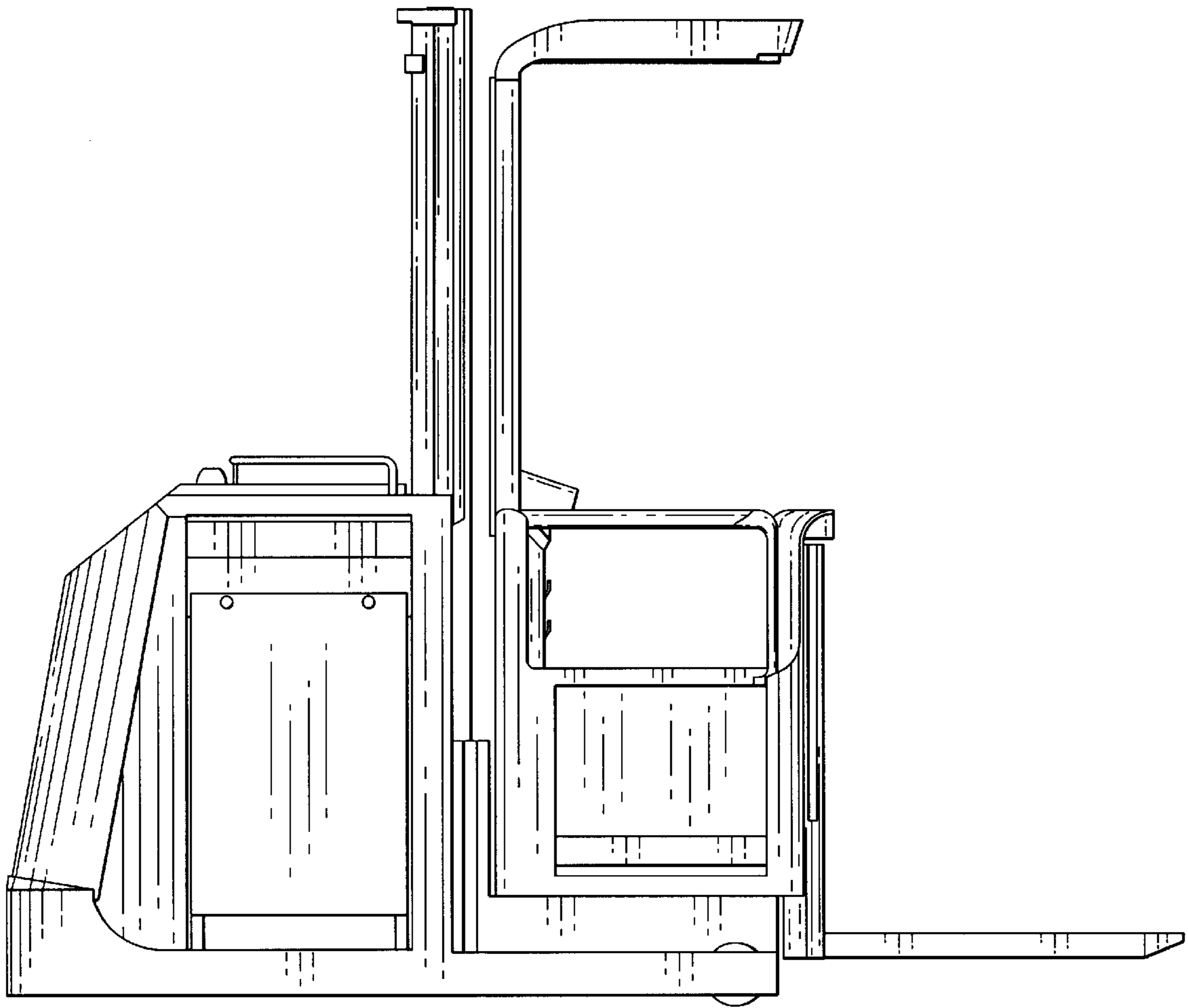


FIG. 7

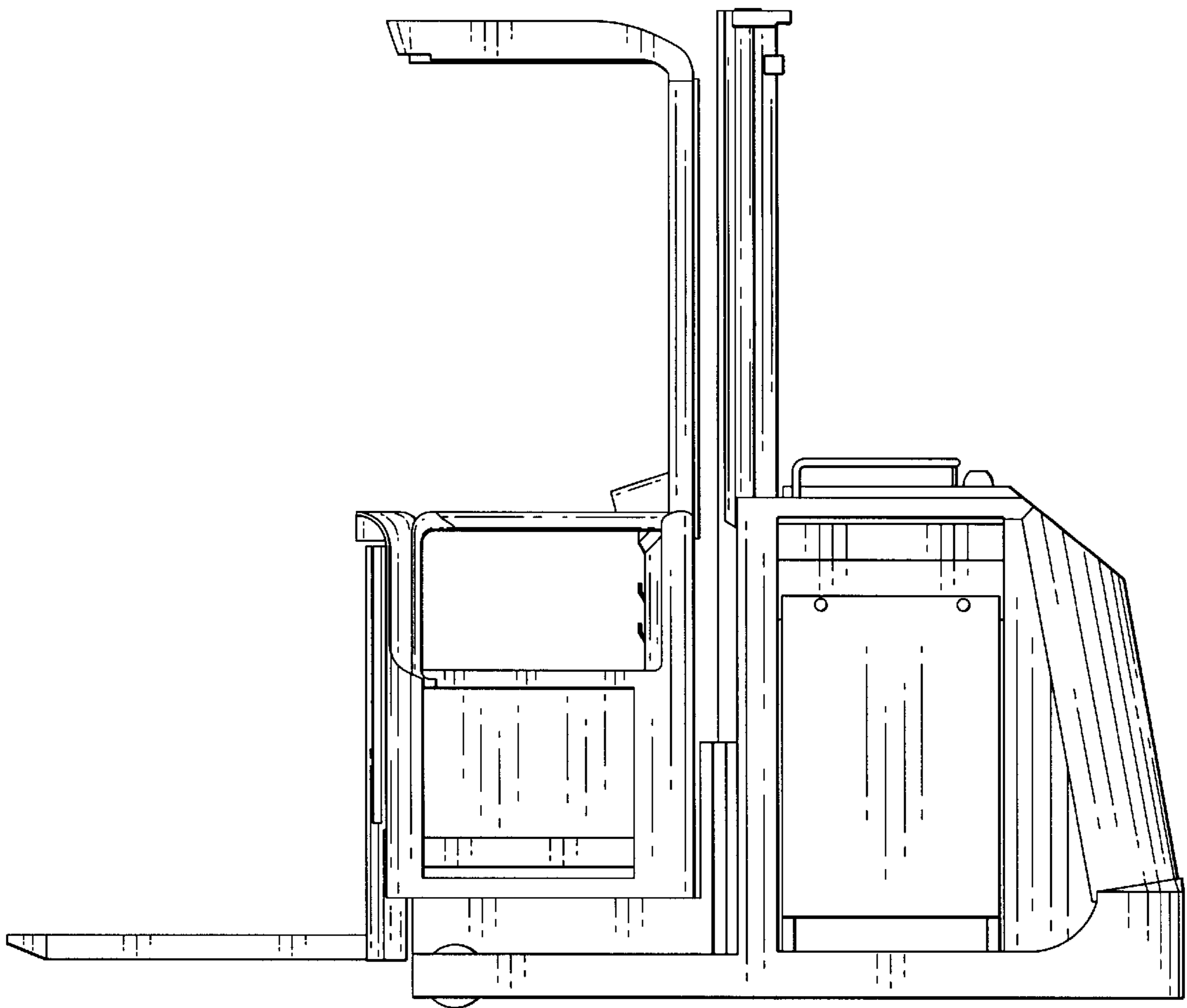


FIG. 8

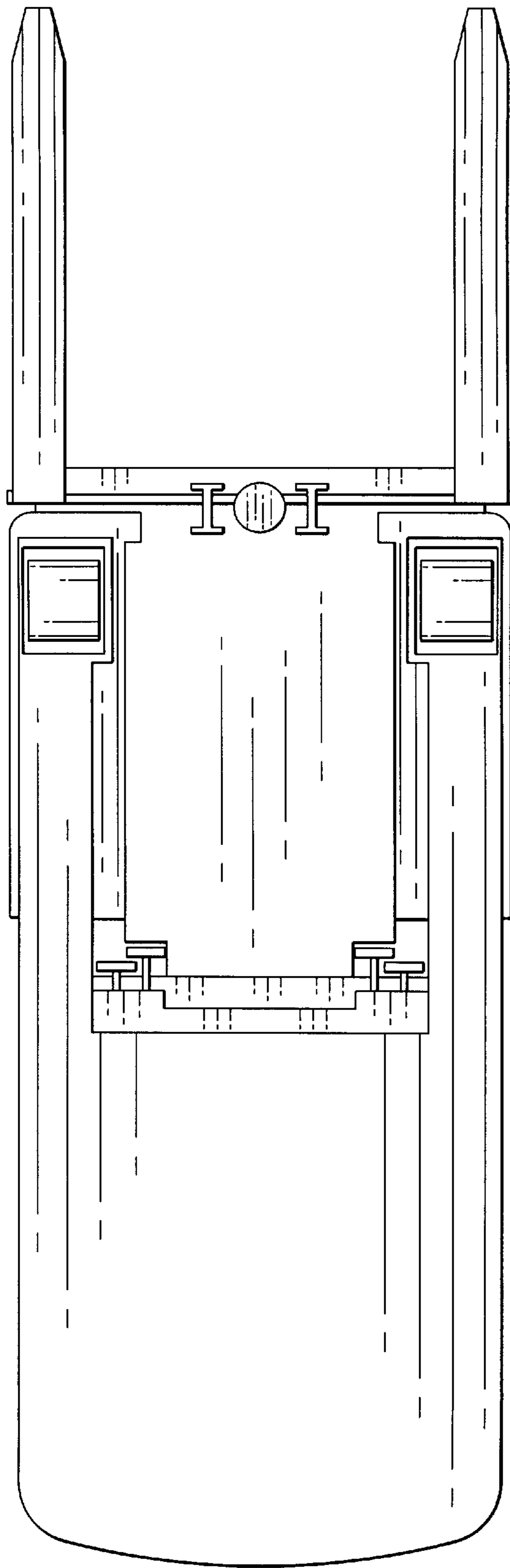


FIG. 9