



US00D440370S

(12) **United States Design Patent**
Keshishian

(10) **Patent No.:** **US D440,370 S**

(45) **Date of Patent:** **** Apr. 10, 2001**

(54) **SHOPPING POLE**

(76) Inventor: **Jean Keshishian**, 136 Merritt Dr.,
Oradell, NJ (US) 07649

(**) Term: **14 Years**

(21) Appl. No.: **29/115,783**

(22) Filed: **Dec. 22, 1999**

(51) **LOC (7) Cl.** **12-02**

(52) **U.S. Cl.** **D34/23; D6/329**

(58) **Field of Search** **D34/12-27; 248/188.7,**
248/188.8, 188.9, 188.91, 188.1, 354.5,
158, 413; D6/329, 403; D11/143

(56) **References Cited**

U.S. PATENT DOCUMENTS

D. 207,705	*	5/1967	Allen	D34/23
D. 428,230	*	7/2000	Woodbridge	D34/23
3,141,557	*	7/1964	Marschak	211/177
4,448,378	*	5/1984	Binfare	248/188.7
4,520,981	*	6/1985	Harrigan	248/413
4,653,710	*	3/1987	Dickison	248/188.7
5,399,139	*	3/1995	Malynowsky	482/129
5,445,352	*	8/1995	Long	248/354.5

* cited by examiner

Primary Examiner—Kay H. Chin

(74) *Attorney, Agent, or Firm*—Siegmar Silber, Esq.

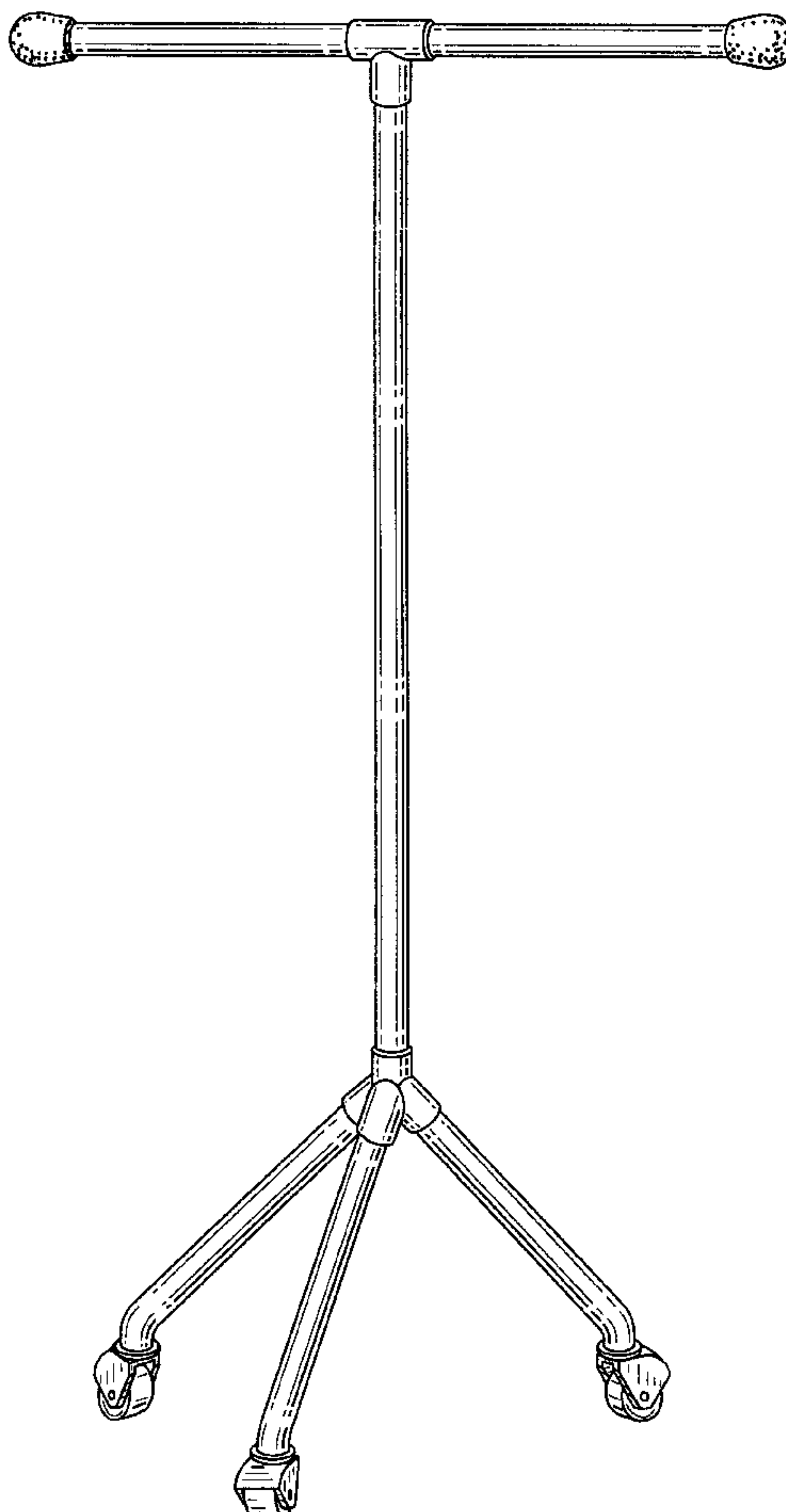
(57) **CLAIM**

The ornamental design for a shopping pole, as shown and described.

DESCRIPTION

FIG. 1 is a perspective view of a shopping pole of the present design;
 FIG. 2 is a front elevational view of FIG. 1;
 FIG. 3 is a left side elevational view of FIG. 2, the right side elevational view not being shown as these views are substantially mirror images of each other;
 FIG. 4 is a rear elevational view of FIG. 2;
 FIG. 5 is a top plan view of FIG. 2;
 FIG. 6 is a bottom plan view of FIG. 2;
 FIG. 7 is a top plan view of the shopping pole of FIG. 1 nested with a second shopping pole of the same design and shown in dashed lines; and,
 FIG. 8 is a left side elevational view of the shopping pole of FIG. 7 nested with a second shopping pole shown in dashed lines.

1 Claim, 5 Drawing Sheets



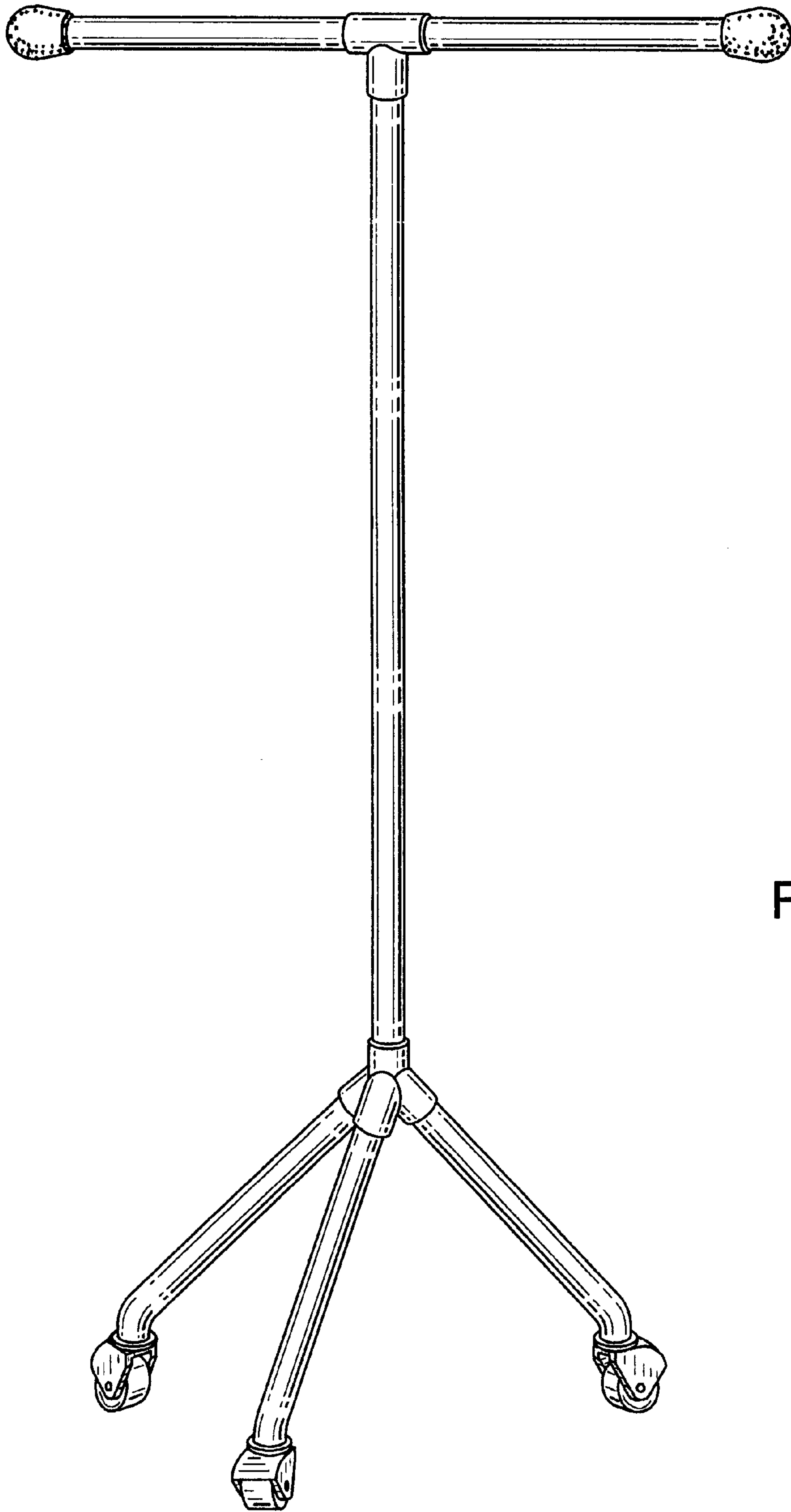


FIG. 1

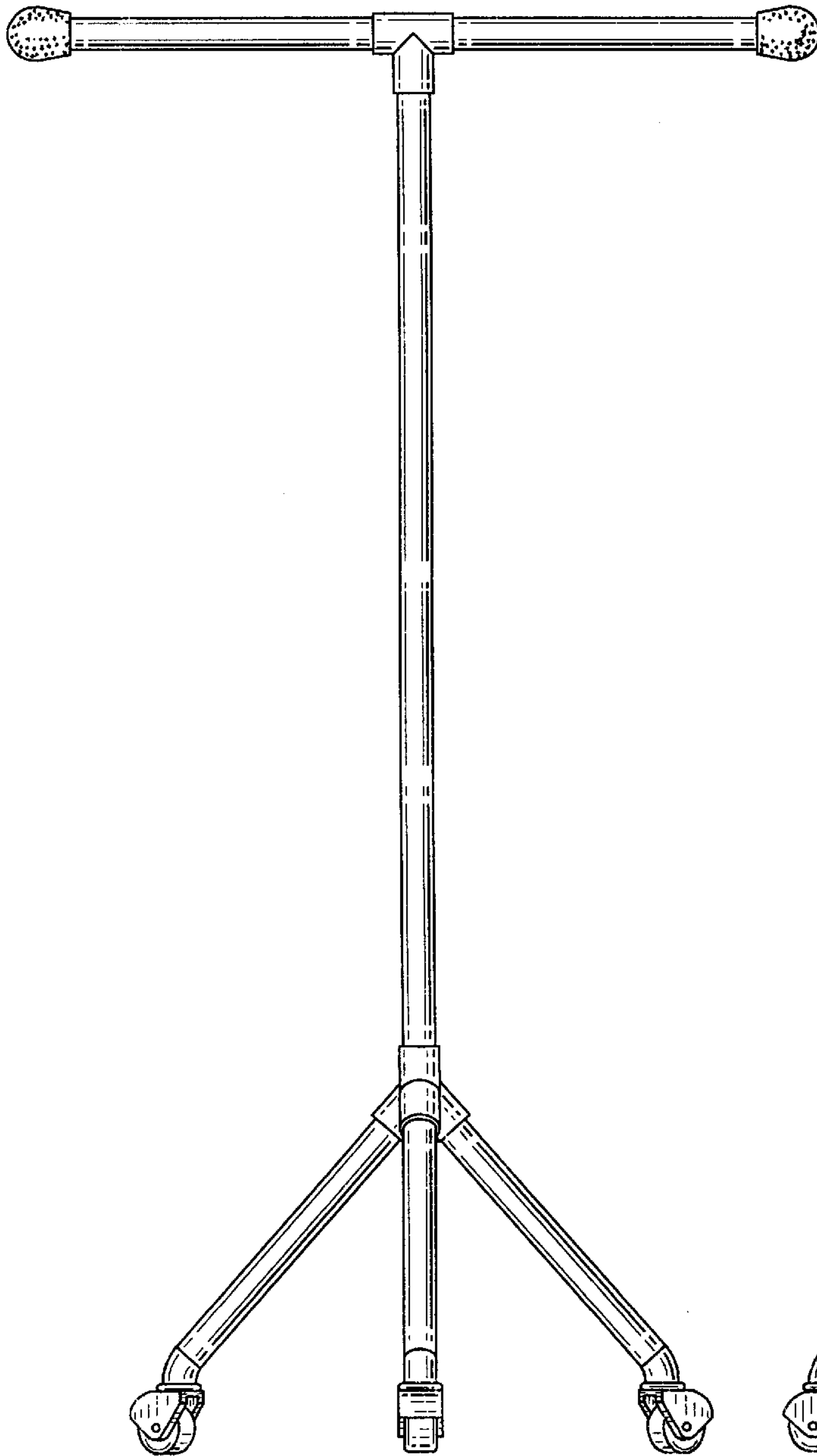


FIG. 2

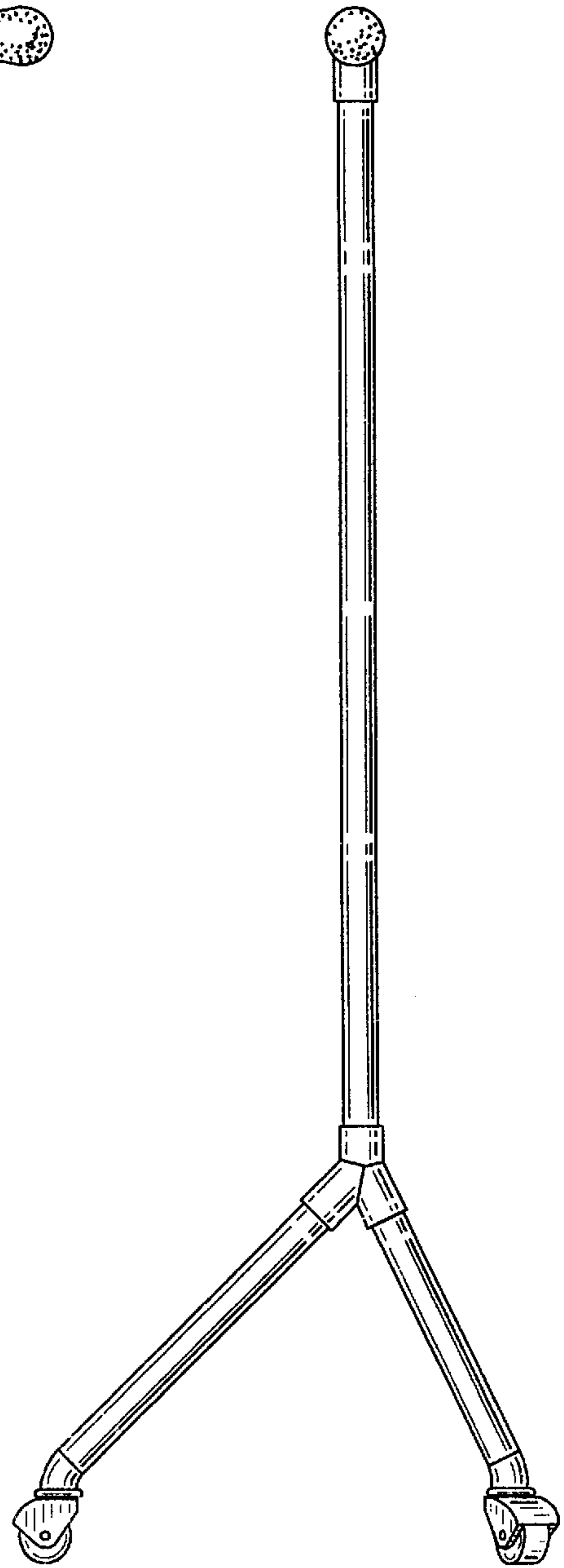


FIG. 3

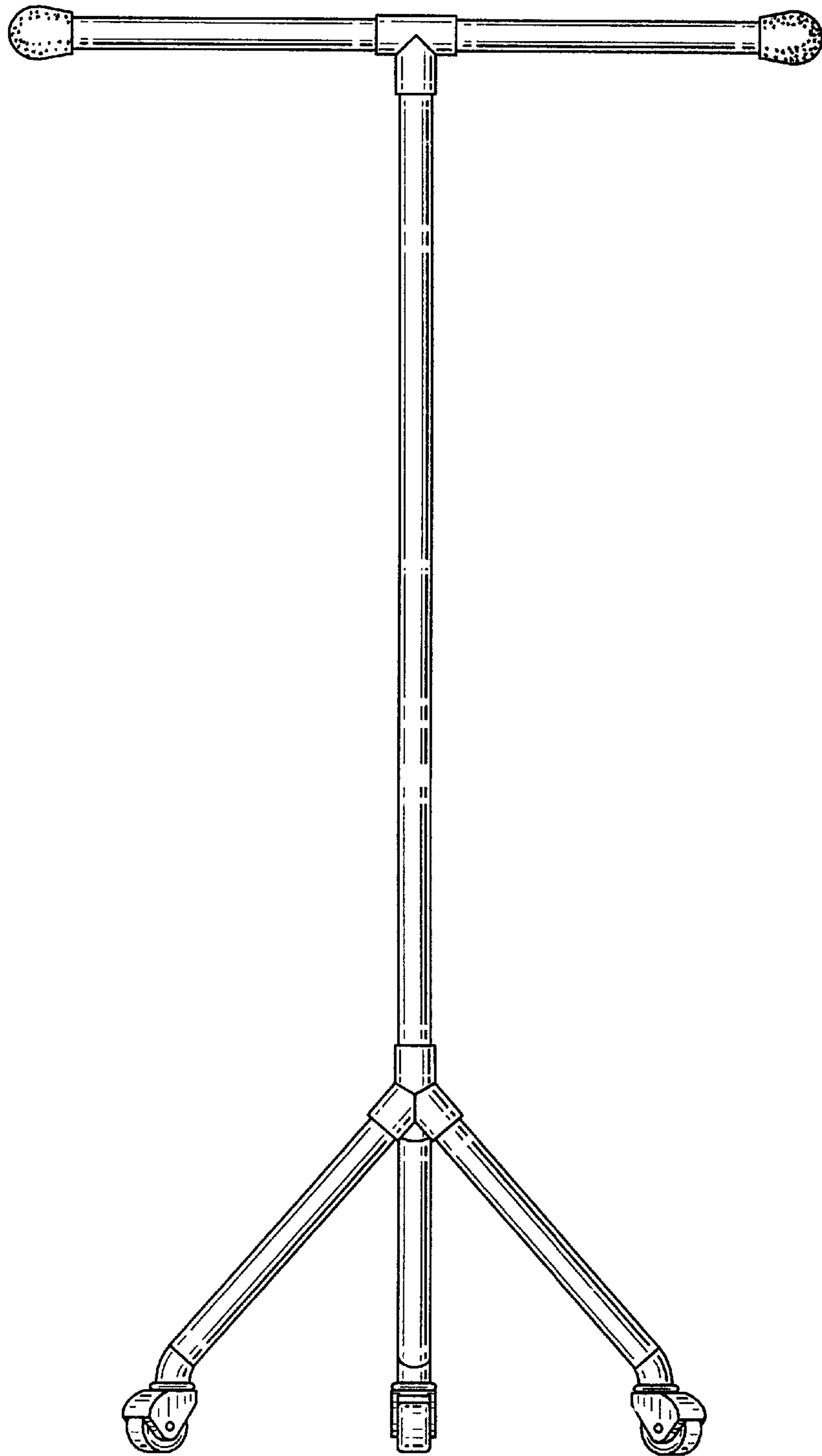


FIG. 4

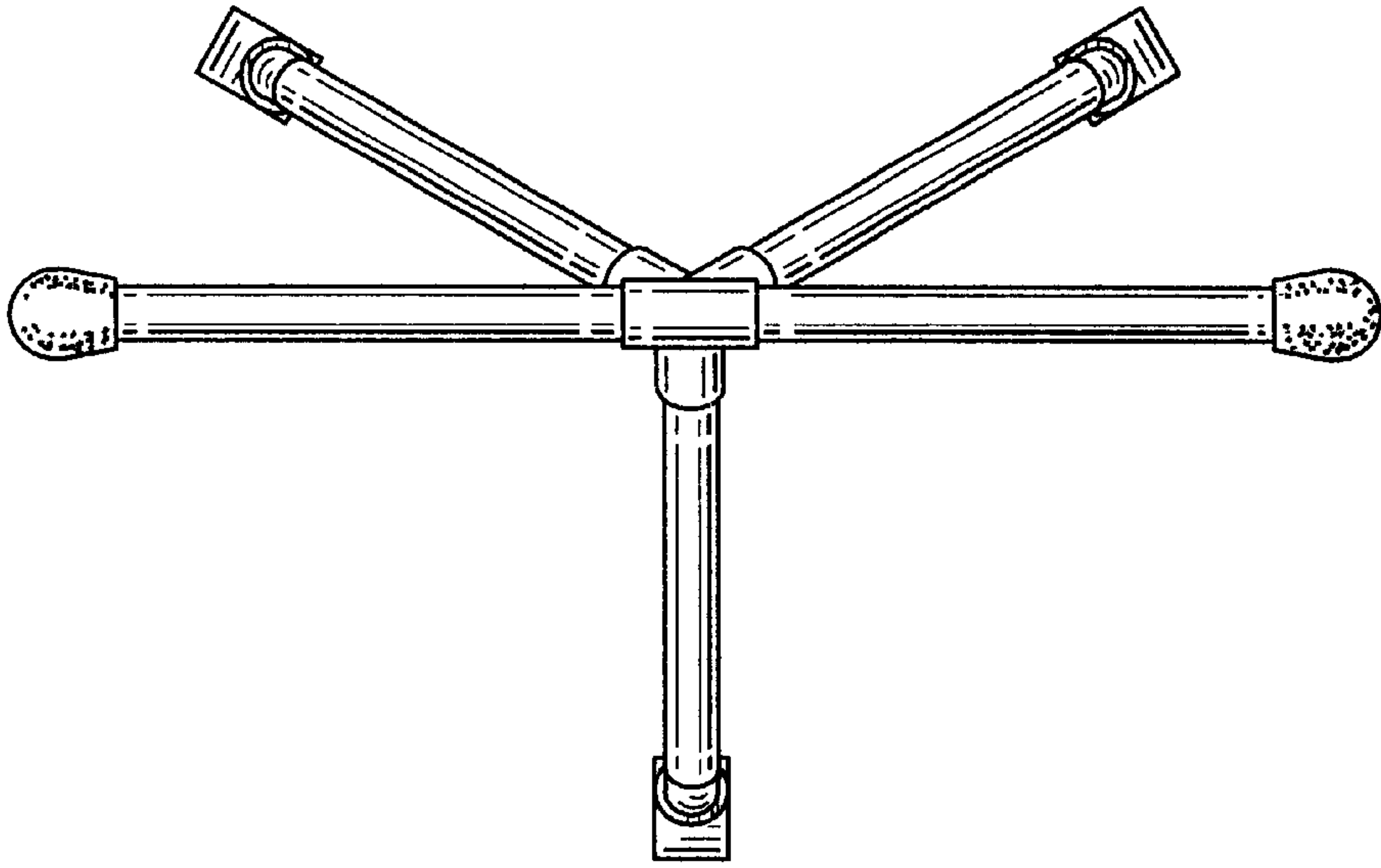


FIG. 5

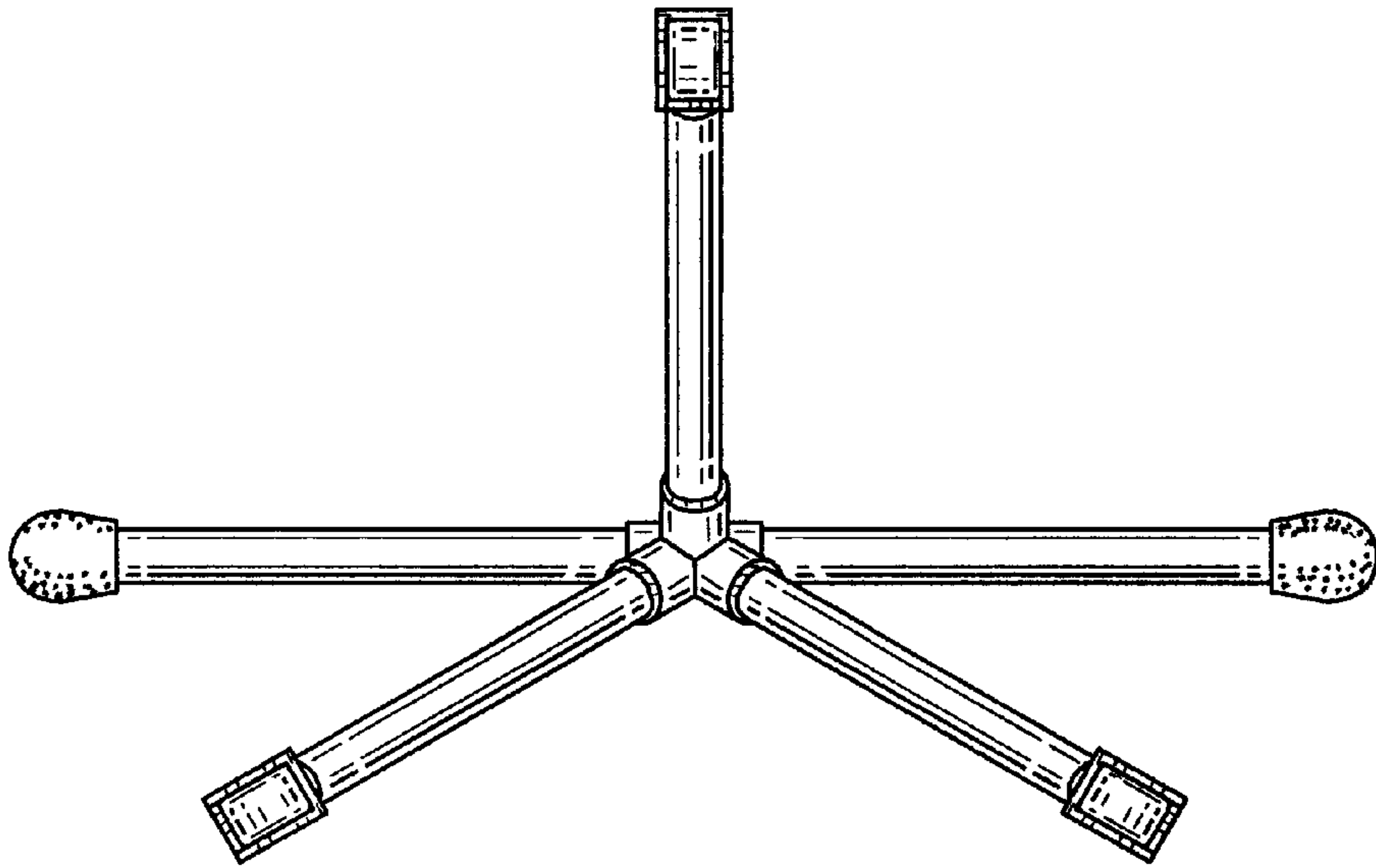


FIG. 6

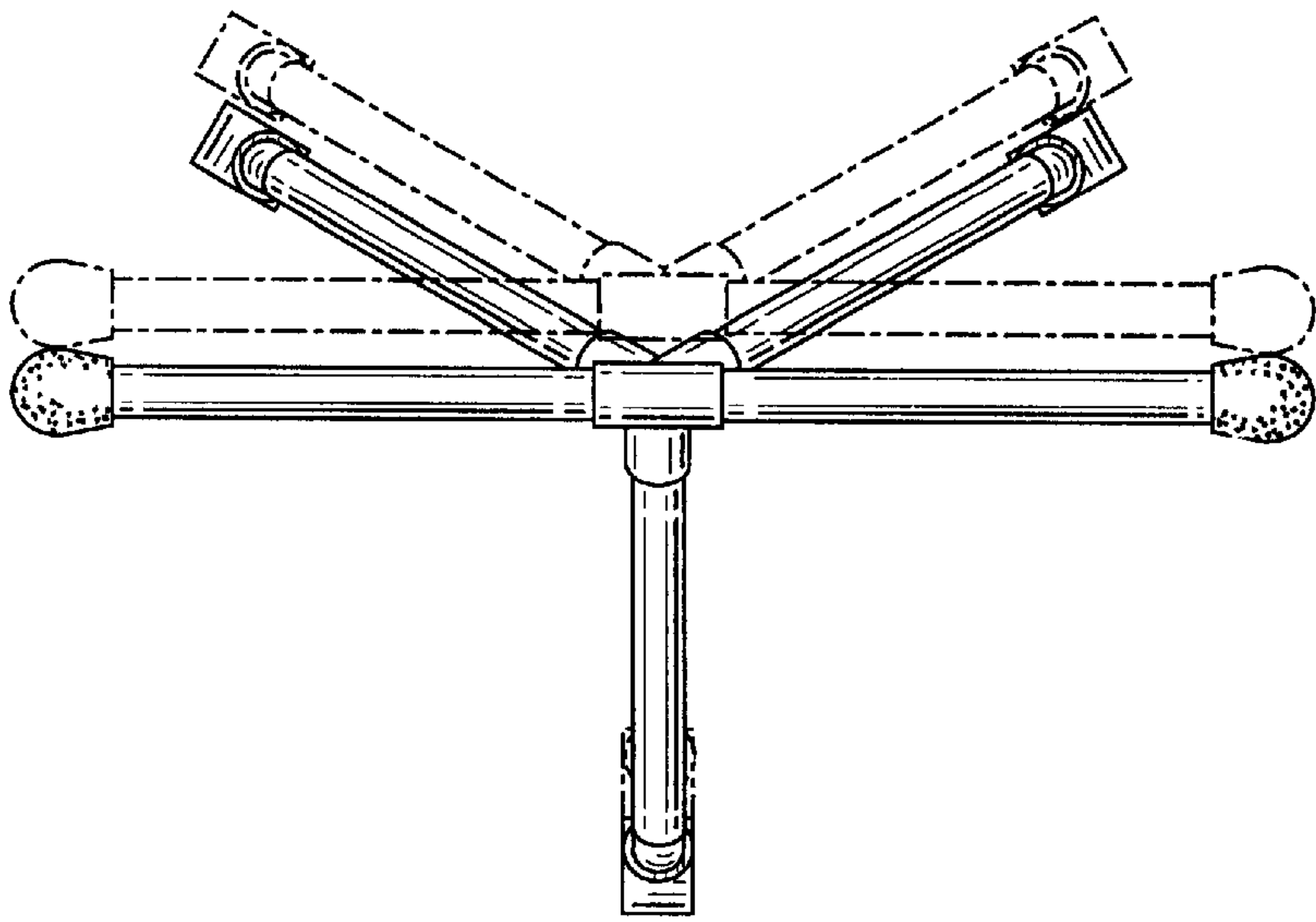


FIG. 7

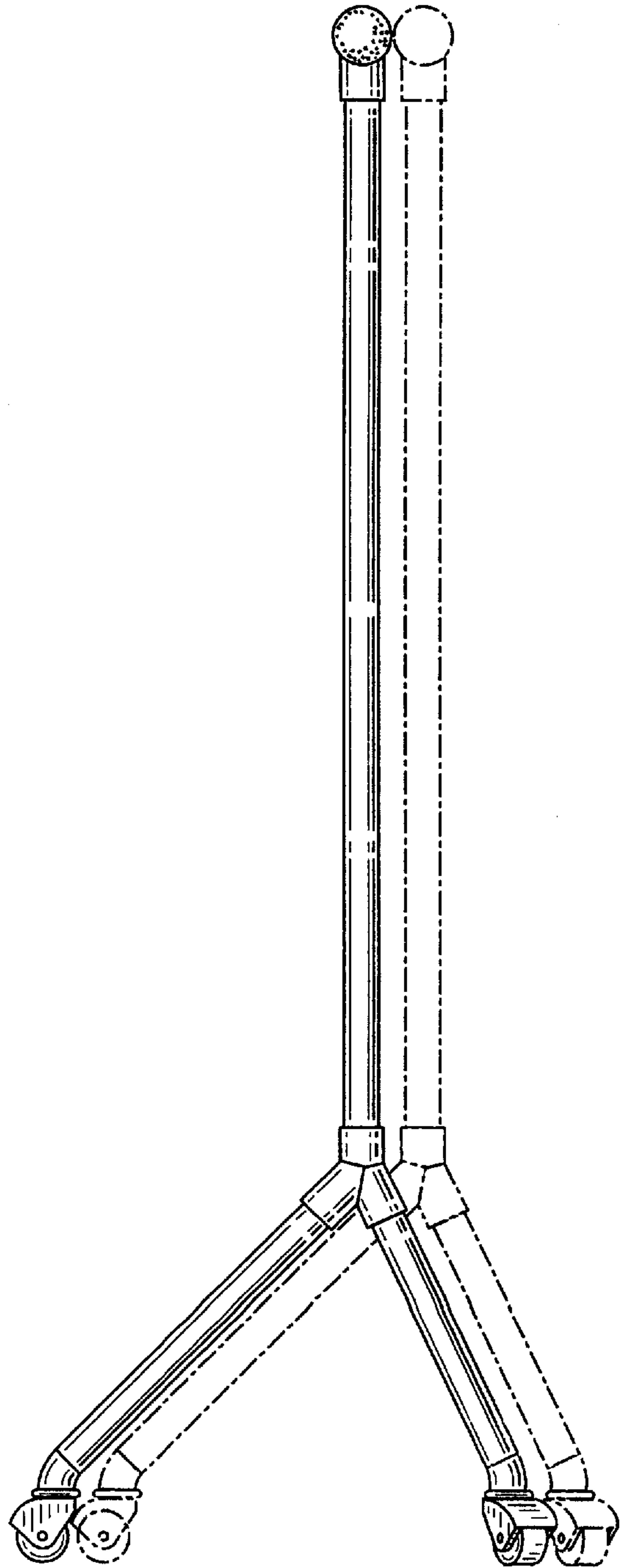


FIG. 8