



US00D440352S

(12) **United States Design Patent**  
**Gore et al.**

(10) **Patent No.:** **US D440,352 S**

(45) **Date of Patent:** **\*\* Apr. 10, 2001**

(54) **HABIT CESSATION DEVICE**

(75) Inventors: **Fred M. Gore**, Carrollton, TX (US);  
**Vesta Brue**, 8315 Westchester Dr.,  
Dallas, TX (US) 75225

(73) Assignee: **Vesta Brue**, Dallas, TX (US)

(\*\*) Term: **14 Years**

(21) Appl. No.: **29/080,096**

(22) Filed: **Dec. 1, 1997**

(51) **LOC (7) Cl.** ..... **27-06**

(52) **U.S. Cl.** ..... **D27/186; D27/189**

(58) **Field of Search** ..... 206/242, 259,  
206/265; 221/15; 131/270, 329; D27/172,  
183, 186, 187, 189

(56) **References Cited**

**U.S. PATENT DOCUMENTS**

- 4,620,555 \* 11/1986 Schwatz ..... 131/270
- 4,862,431 \* 8/1989 Drouin ..... 131/270 X
- 5,203,472 \* 4/1993 Levenbaum et al. .... 221/15

\* cited by examiner

*Primary Examiner*—Alan P. Douglas

*Assistant Examiner*—Jennifer Rivard

(74) *Attorney, Agent, or Firm*—Jenkins & Gilchrist

(57) **CLAIM**

The ornamental design for the habit cessation device, as shown and described.

**DESCRIPTION**

FIG. 1 is a front plan view of a habit cessation device therein showing our design;

FIG. 2 is a side plan view thereof, the opposite side being a mirror image;

FIG. 3 is a top plan view thereof;

FIG. 4 is a bottom plan view thereof;

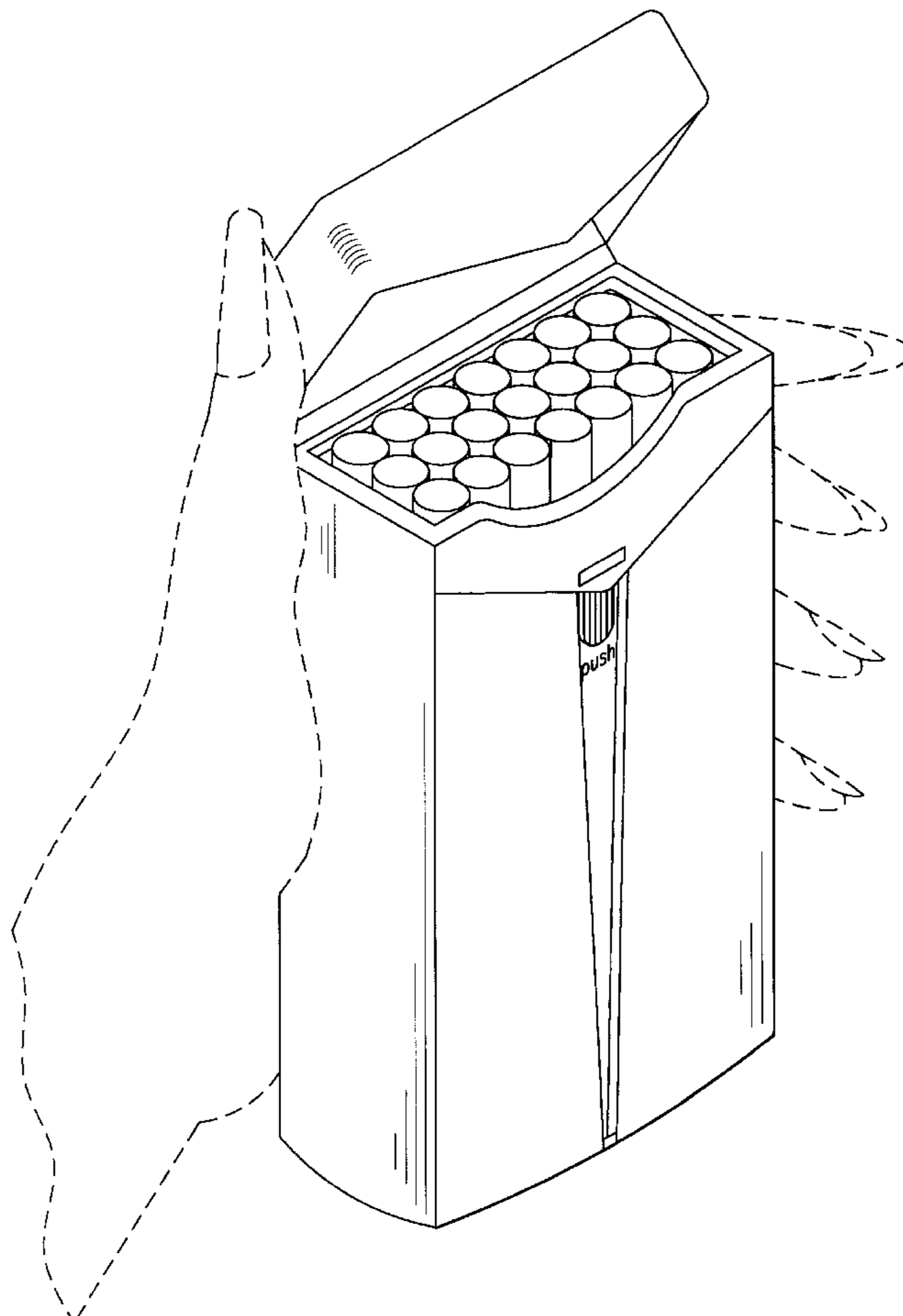
FIG. 5 is a perspective view thereof; and,

FIG. 6 is another perspective view of the habit cessation device being opened by a user thereof.

The broken lines are shown for illustrative purposes only and form no part of the claimed design.

The surfaces or portions of the article not shown in the drawing or described in the specification form no part of the claimed design.

**1 Claim, 3 Drawing Sheets**



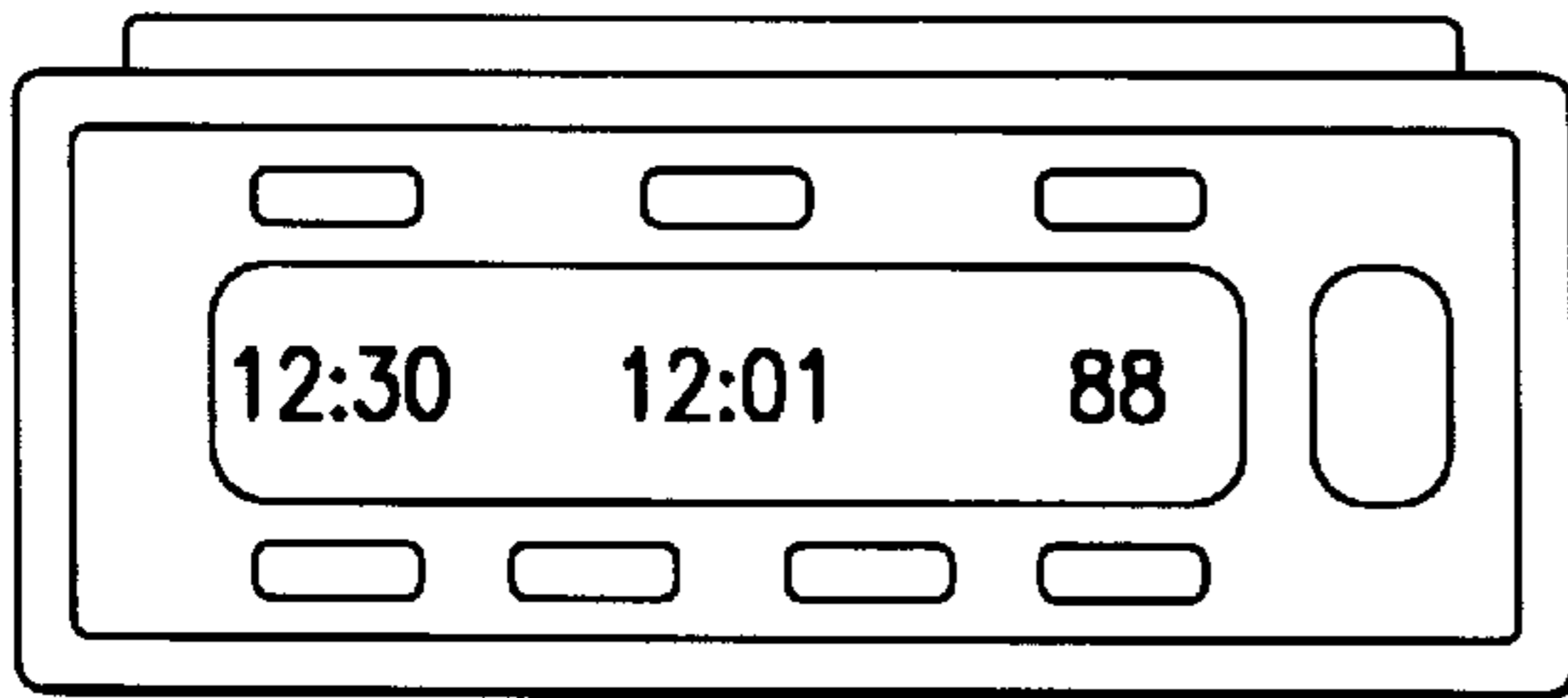


FIG. 3

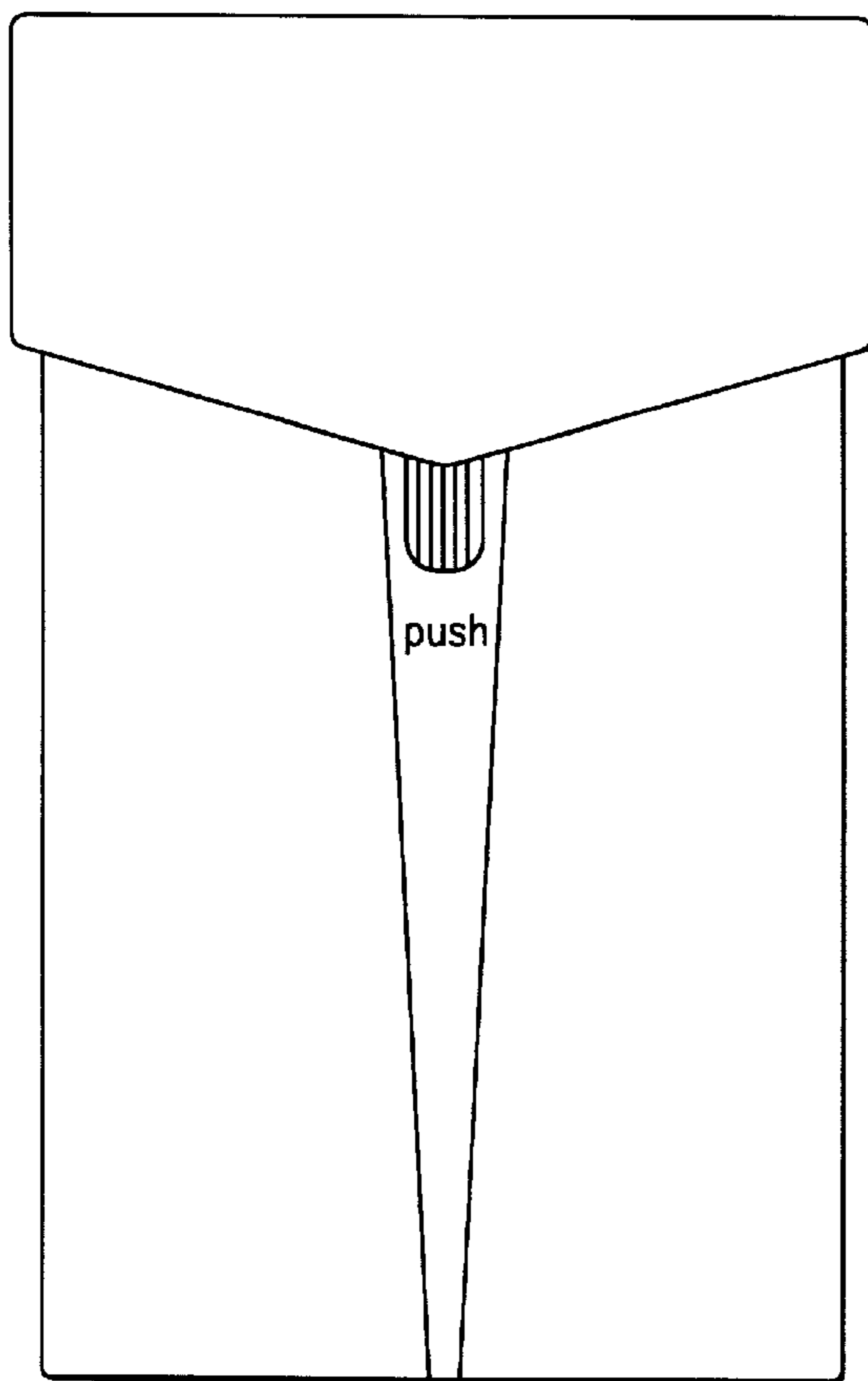


FIG. 1

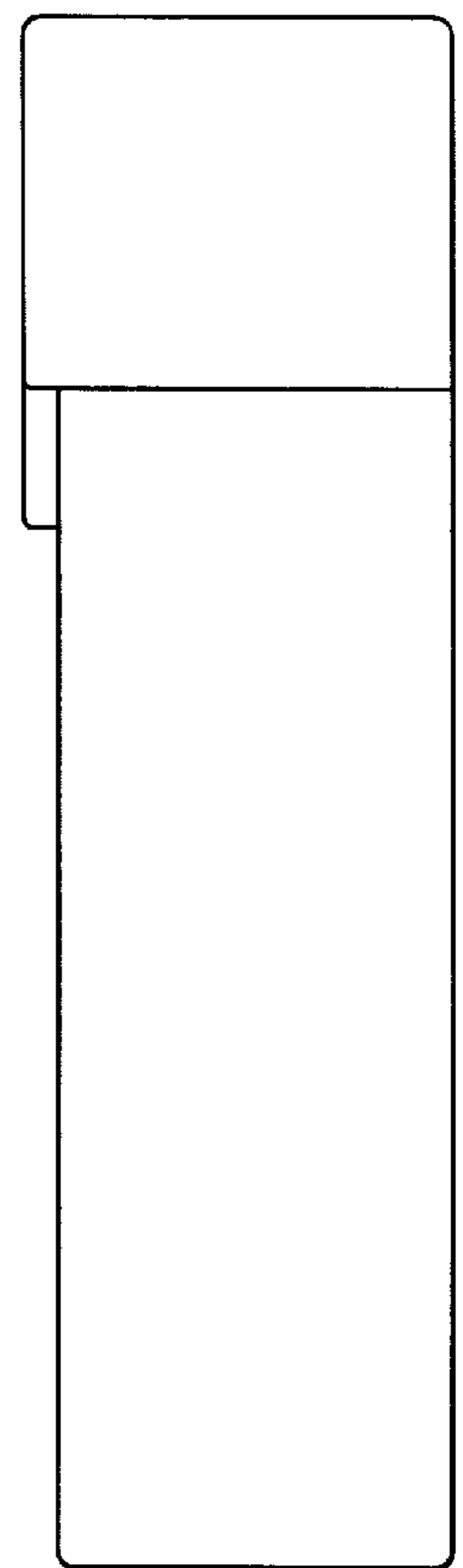


FIG. 2

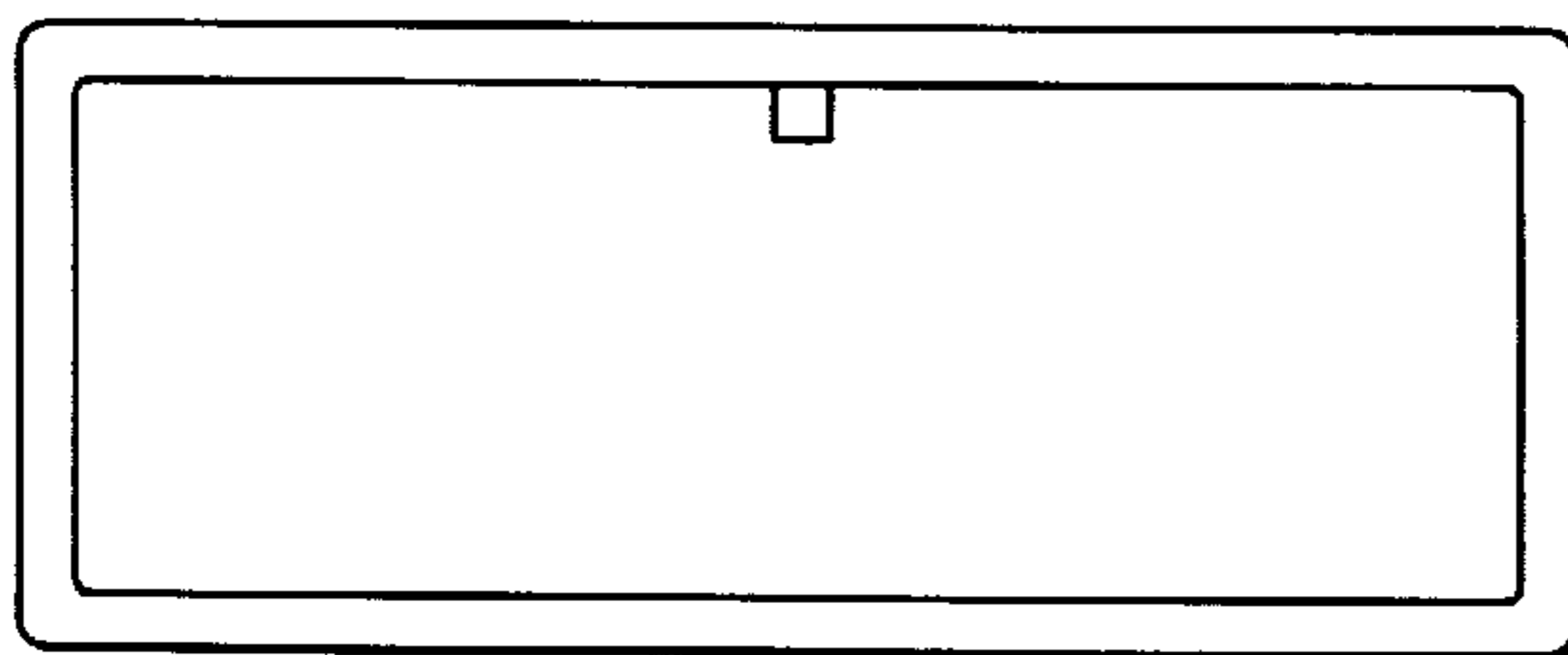
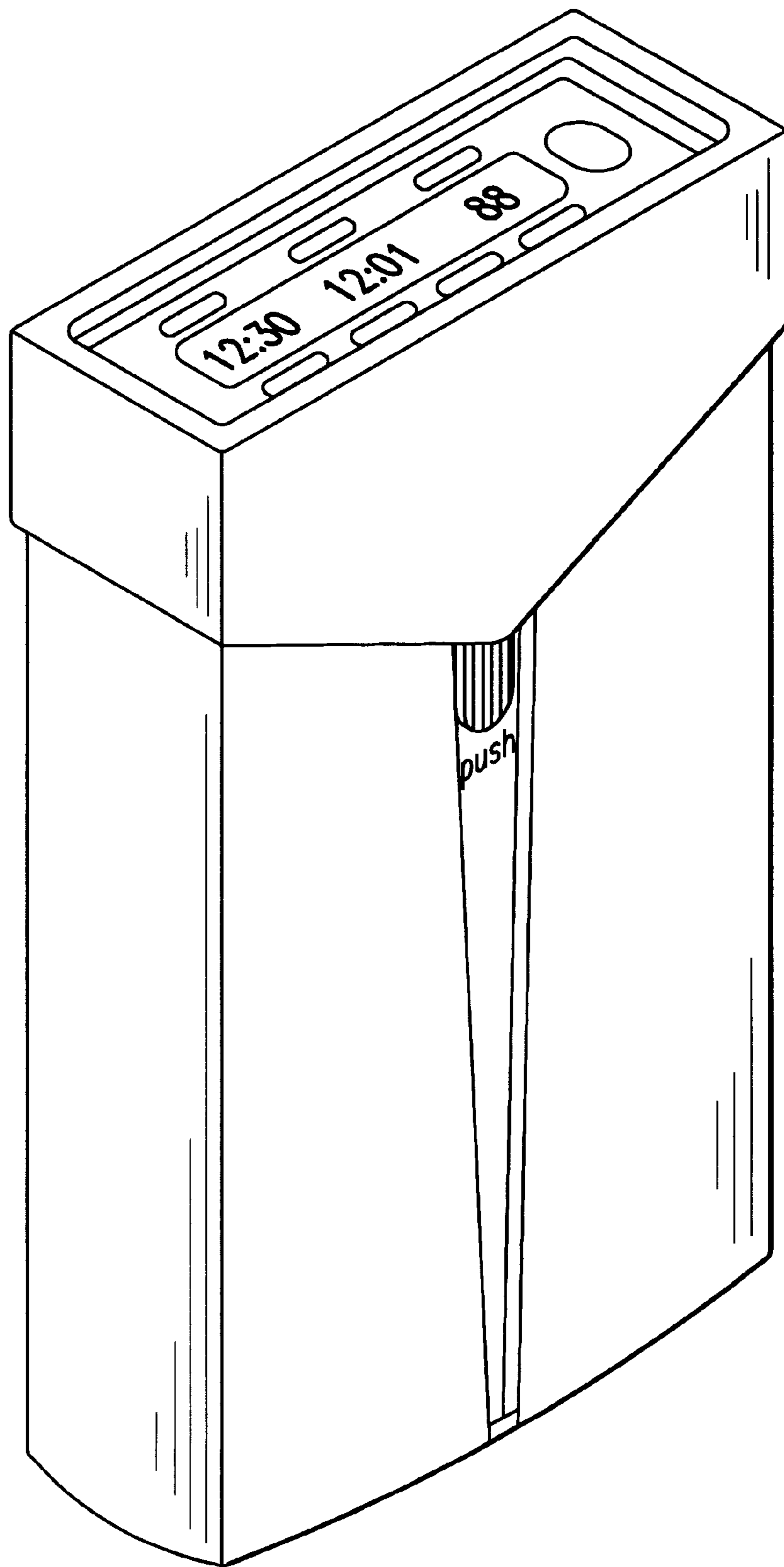


FIG. 4



*FIG. 5*

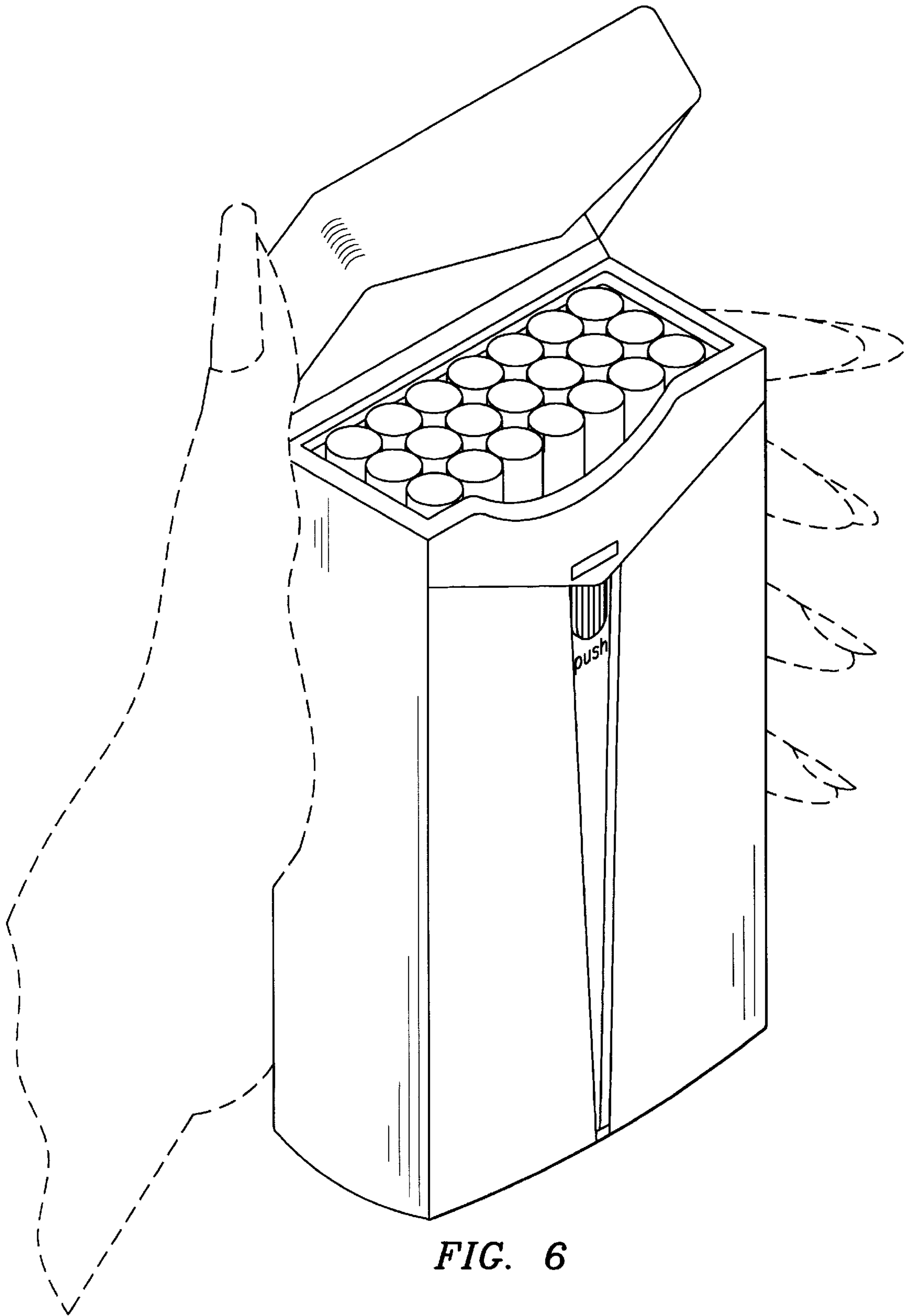


FIG. 6