



US00D440351S

(12) **United States Design Patent**  
**Chen**

(10) **Patent No.:** **US D440,351 S**

(45) **Date of Patent:** **\*\* Apr. 10, 2001**

(54) **LIGHTER**

(76) **Inventor:** **Peter Chen**, 11135 Rush St., Suite B,  
South El Monte, CA (US) 91733

(\*\*) **Term:** **14 Years**

(21) **Appl. No.:** **29/125,582**

(22) **Filed:** **Jun. 26, 2000**

(51) **LOC (7) Cl.** ..... **27-05**

(52) **U.S. Cl.** ..... **D27/154**

(58) **Field of Search** ..... D27/139, 141,  
D27/148, 152, 153, 154, 155, 160, 159;  
431/129, 132, 142, 143, 255

(56) **References Cited**

**U.S. PATENT DOCUMENTS**

D. 173,180	*	10/1954	Beckwtih	.....	D27/159
D. 246,863	*	1/1978	Stutzer	.....	D27/154
D. 329,506	*	9/1992	Bulgari	.....	D27/154
2,517,166	*	8/1950	Beckjord	.....	431/129

\* cited by examiner

*Primary Examiner*—Susan J. Lucas

*Assistant Examiner*—Jennifer Rivard

(74) *Attorney, Agent, or Firm*—Sheldon & Mak

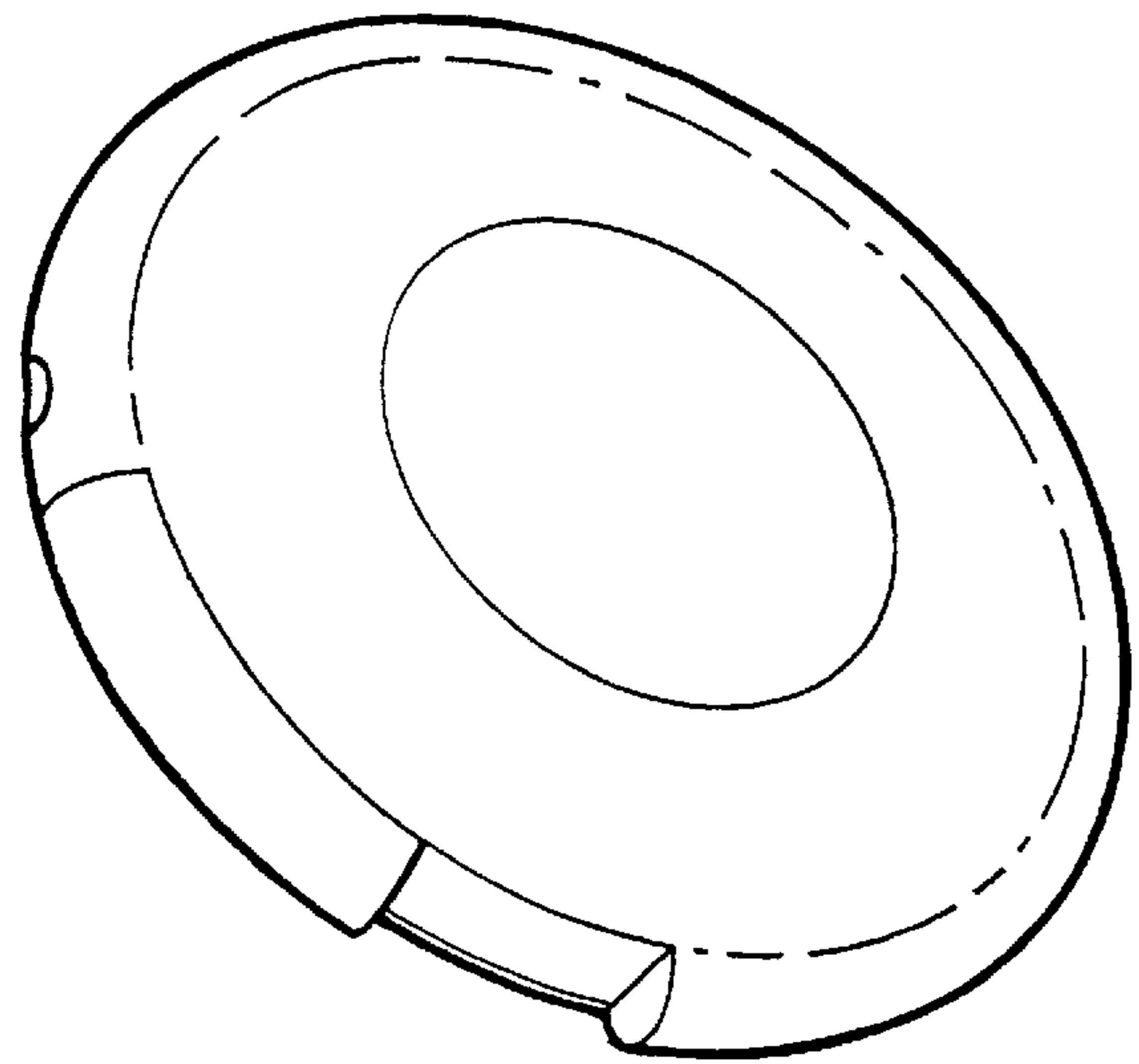
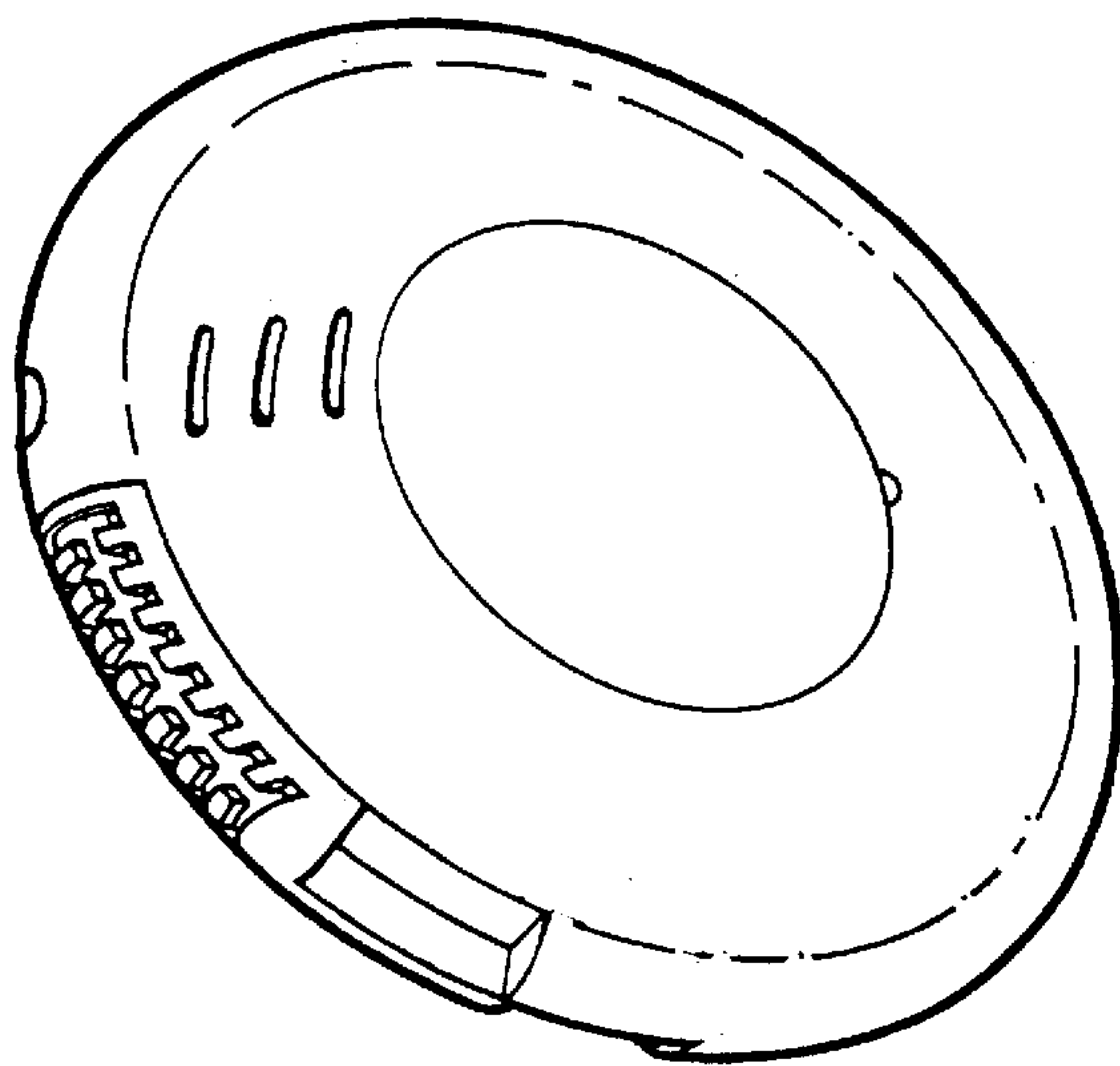
(57) **CLAIM**

The ornamental design for the lighter, as shown and described.

**DESCRIPTION**

FIG. 1 is a bottom perspective view of the lighter of the subject invention;  
 FIG. 2 is a rear view of the lighter of FIG. 1;  
 FIG. 3 is a top view of the lighter of FIG. 1;  
 FIG. 4 is a bottom view of the lighter of FIG. 1;  
 FIG. 5 is a front view of the lighter of FIG. 1;  
 FIG. 6 is a partial side view of the lighter of FIG. 1 showing the ignition trigger in more detail;  
 FIG. 7 is a bottom perspective view of another preferred embodiment of the lighter of the subject invention.  
 FIG. 8 is a rear view of the lighter of FIG. 7;  
 FIG. 9 is a top view of the lighter of FIG. 7;  
 FIG. 10 is a bottom view of the lighter of FIG. 7;  
 FIG. 11 is a front view of the lighter of FIG. 7; and,  
 FIG. 12 is partial side view of the lighter of FIG. 7, showing the ignition trigger in more detail.

**1 Claim, 4 Drawing Sheets**



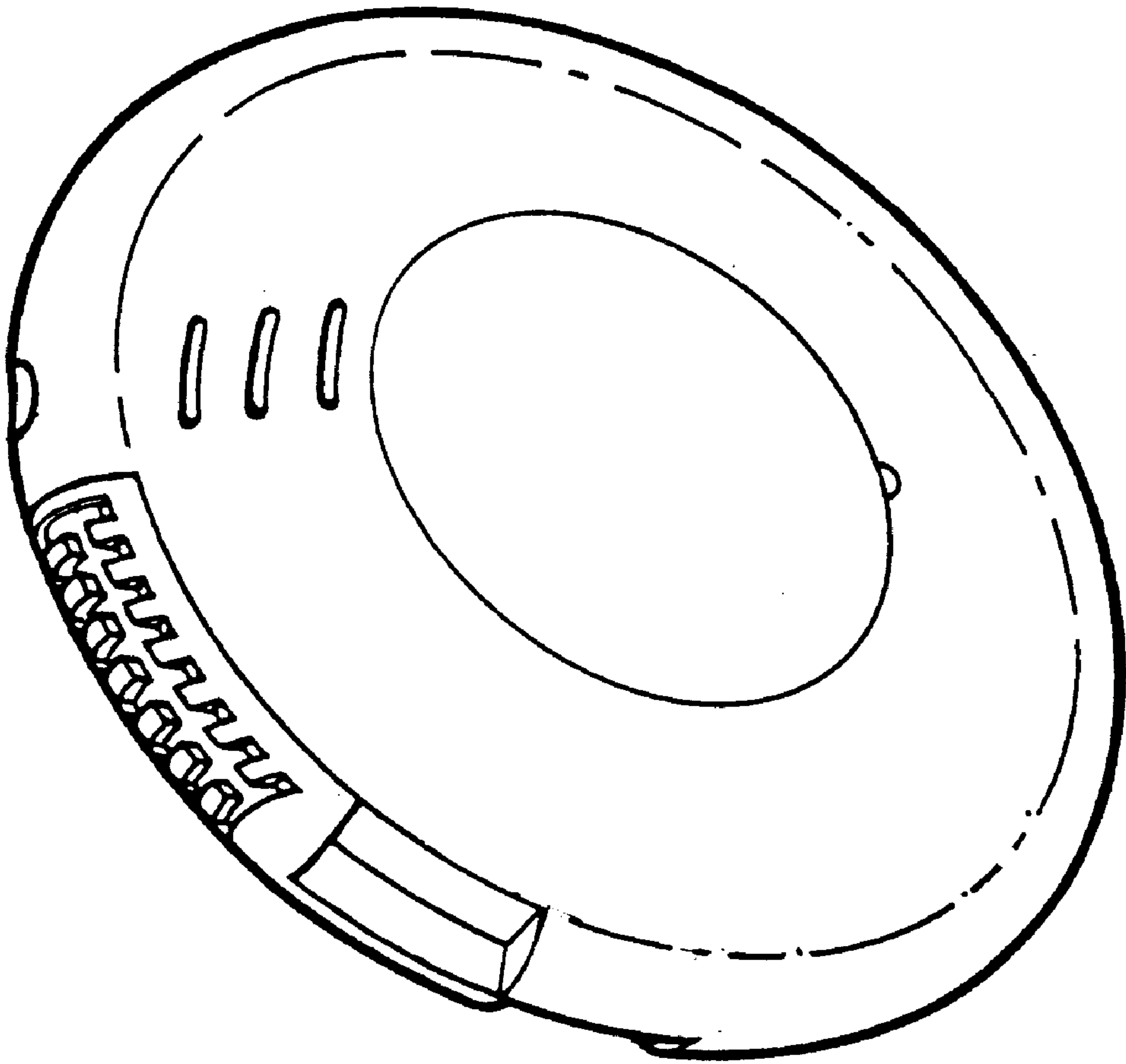


Fig. 1

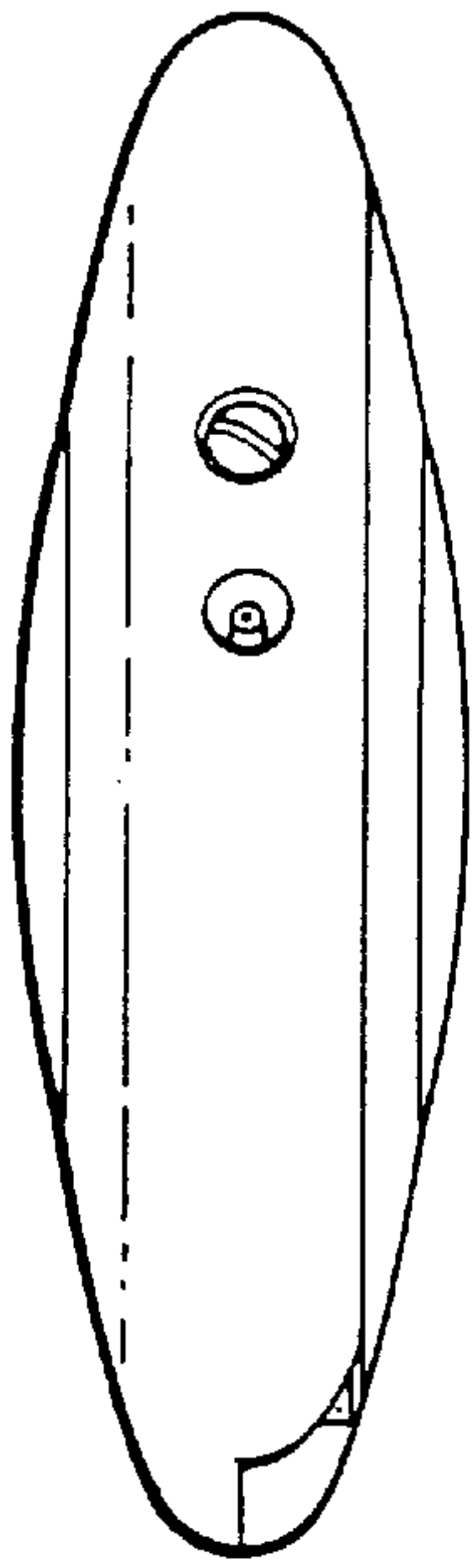


Fig. 2

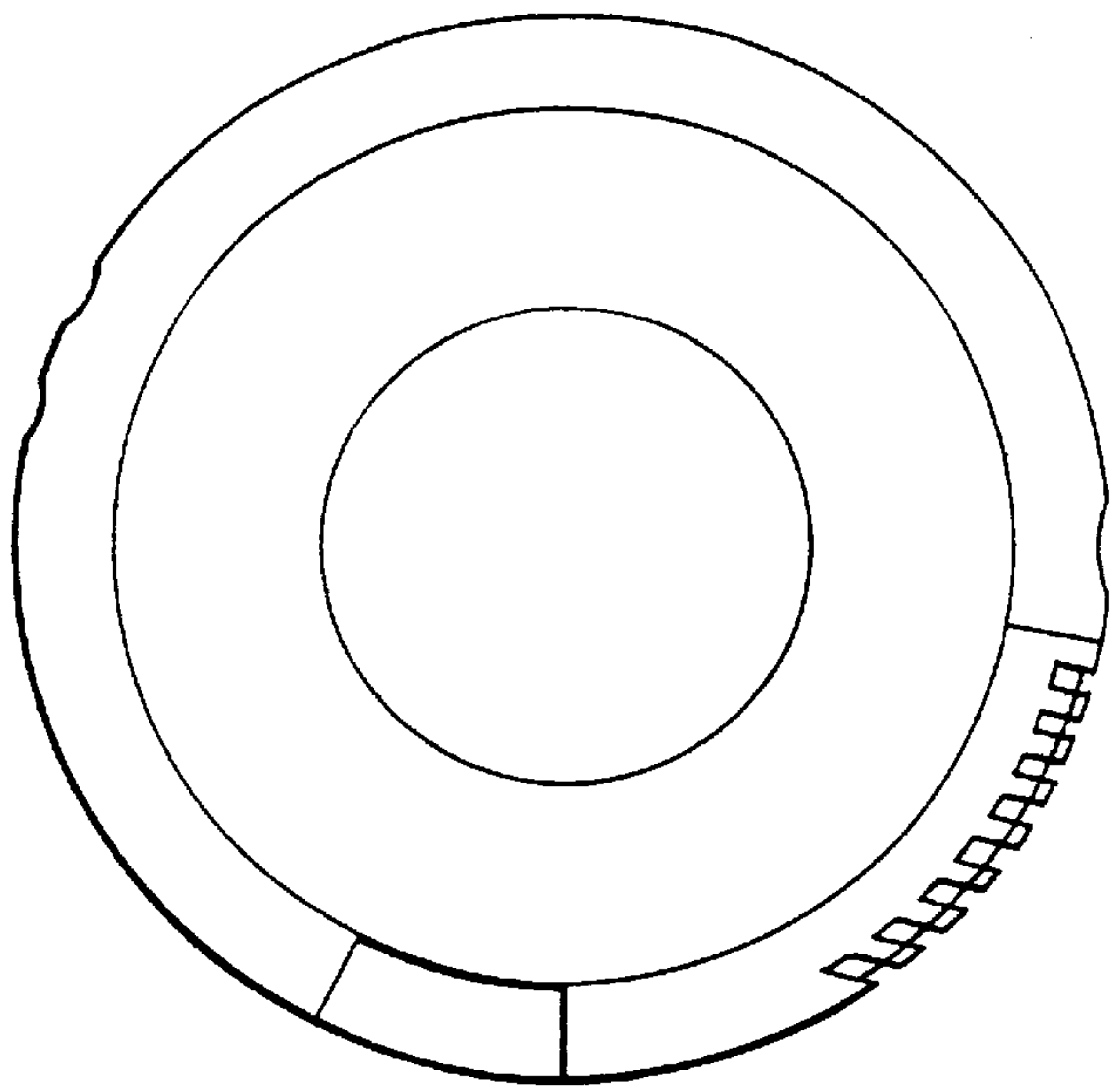


Fig. 3

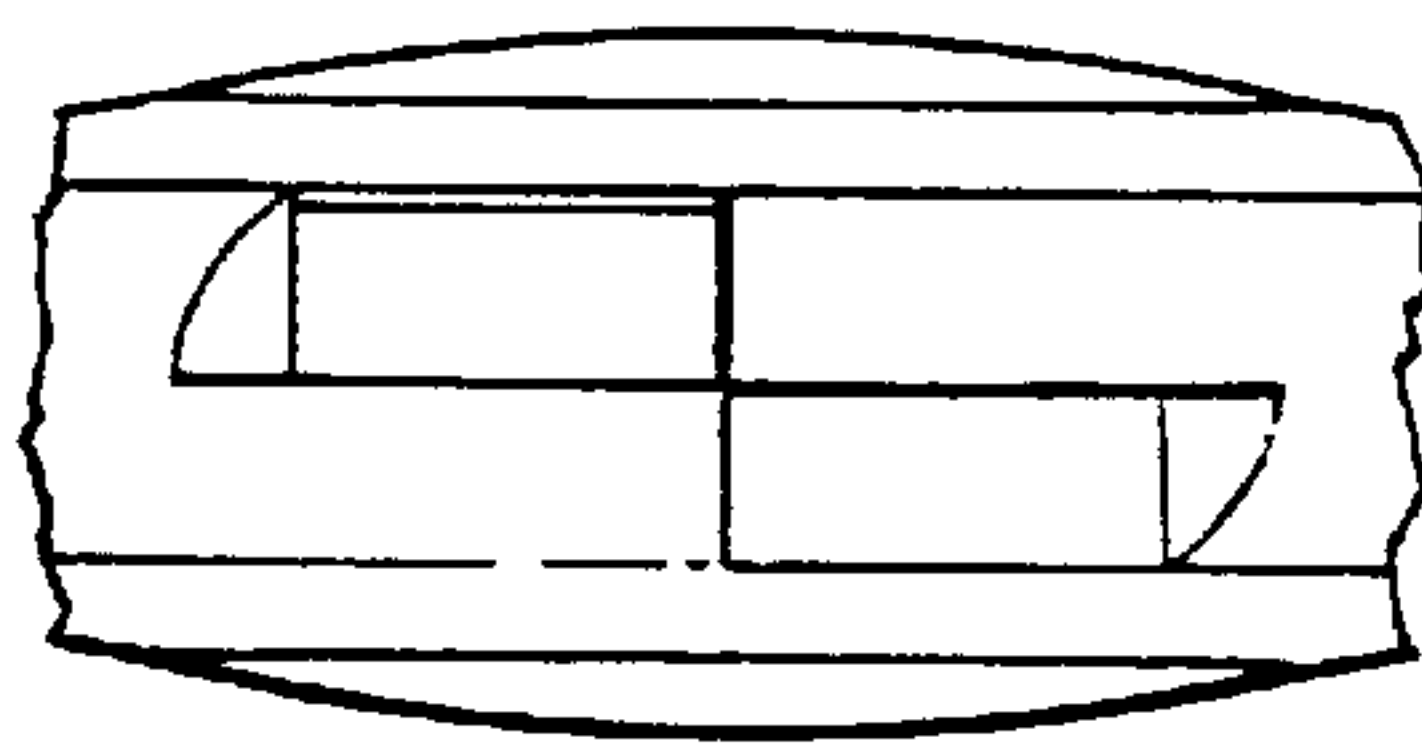


Fig. 6

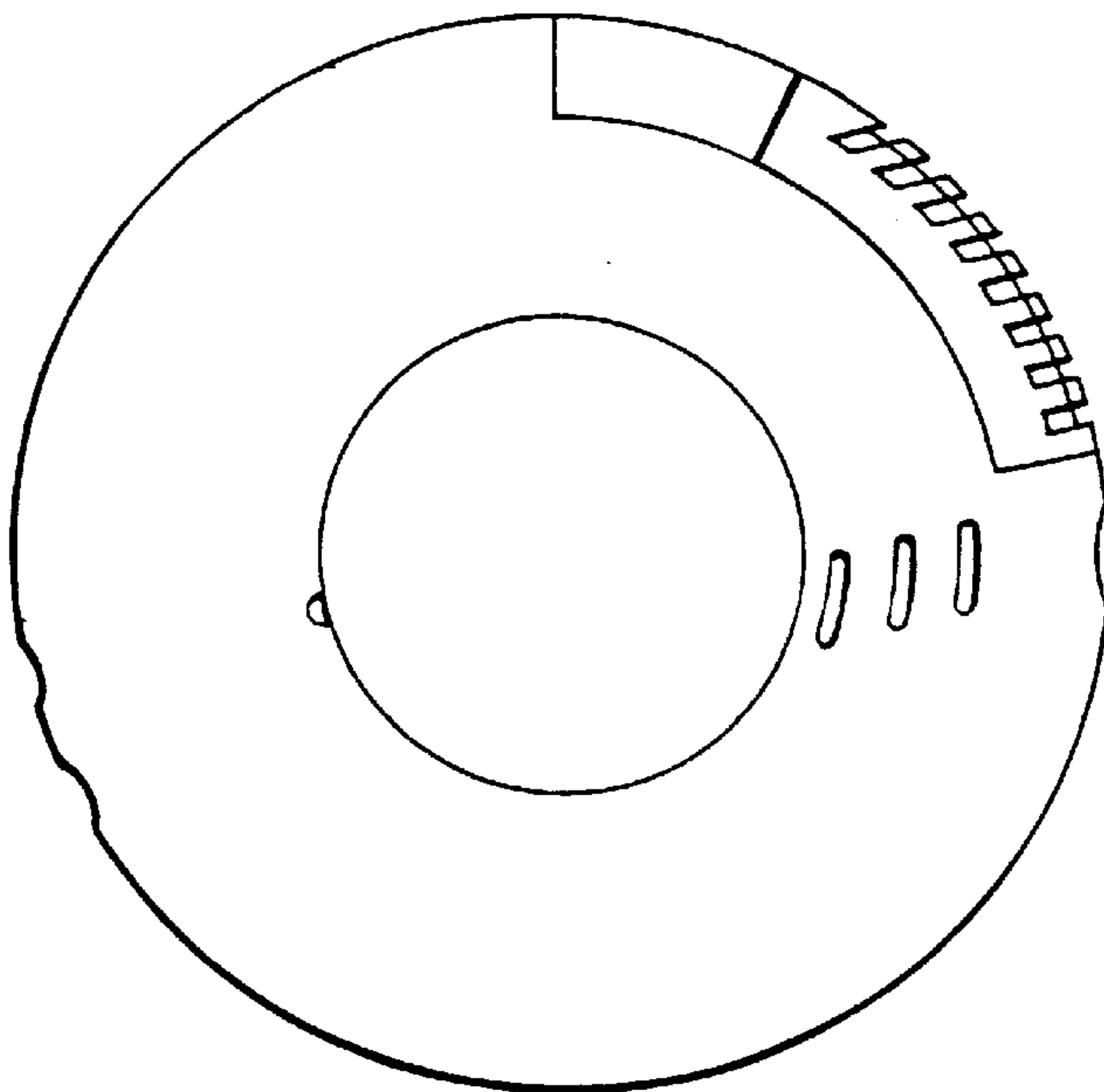


Fig. 4

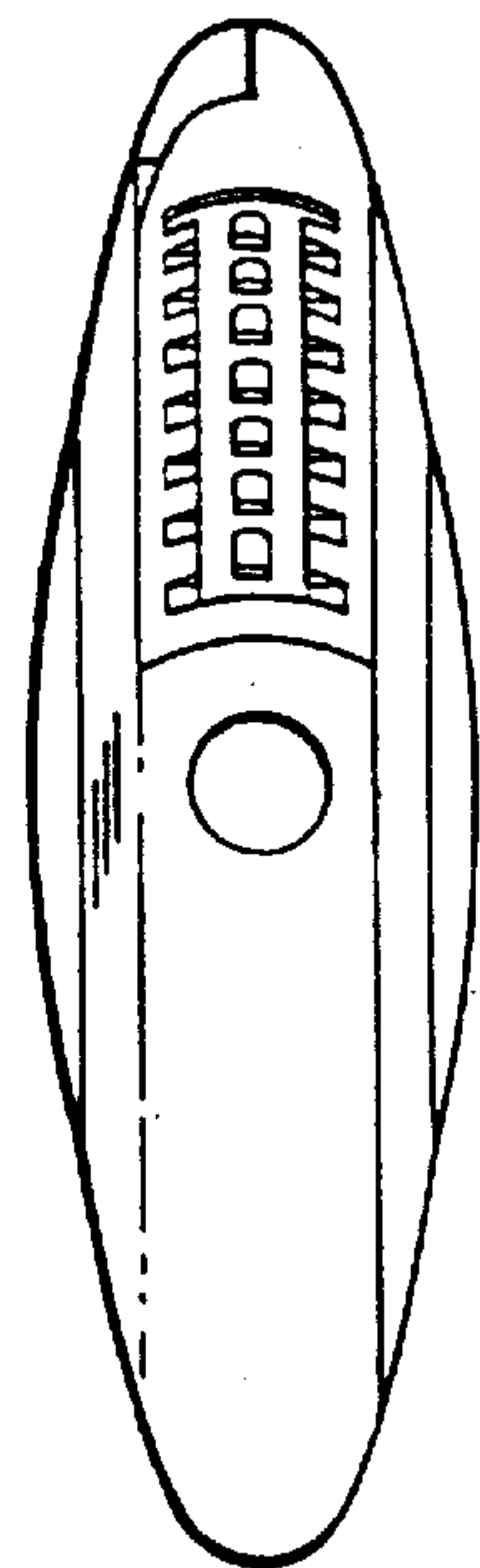


Fig. 5

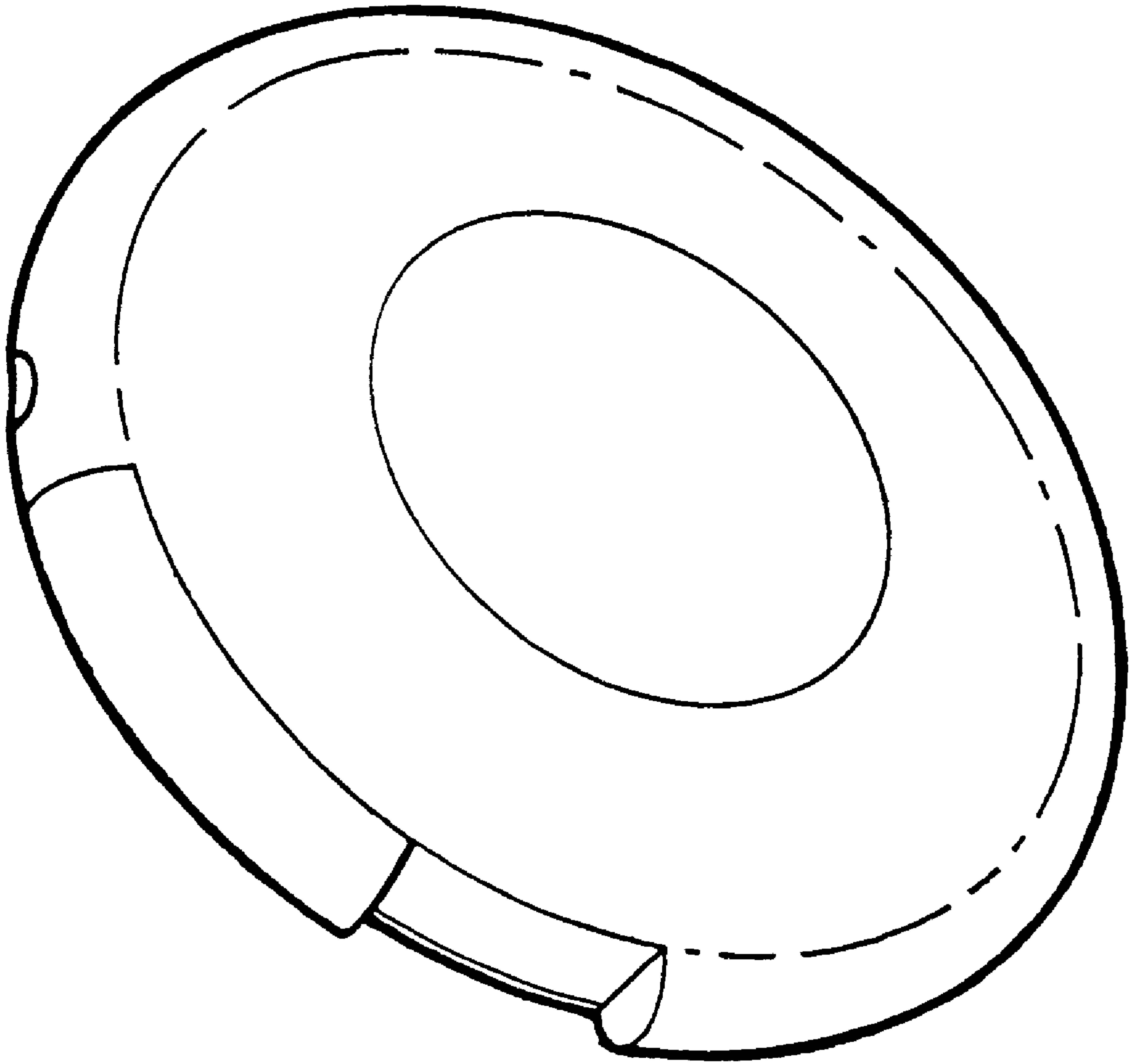


Fig. 7

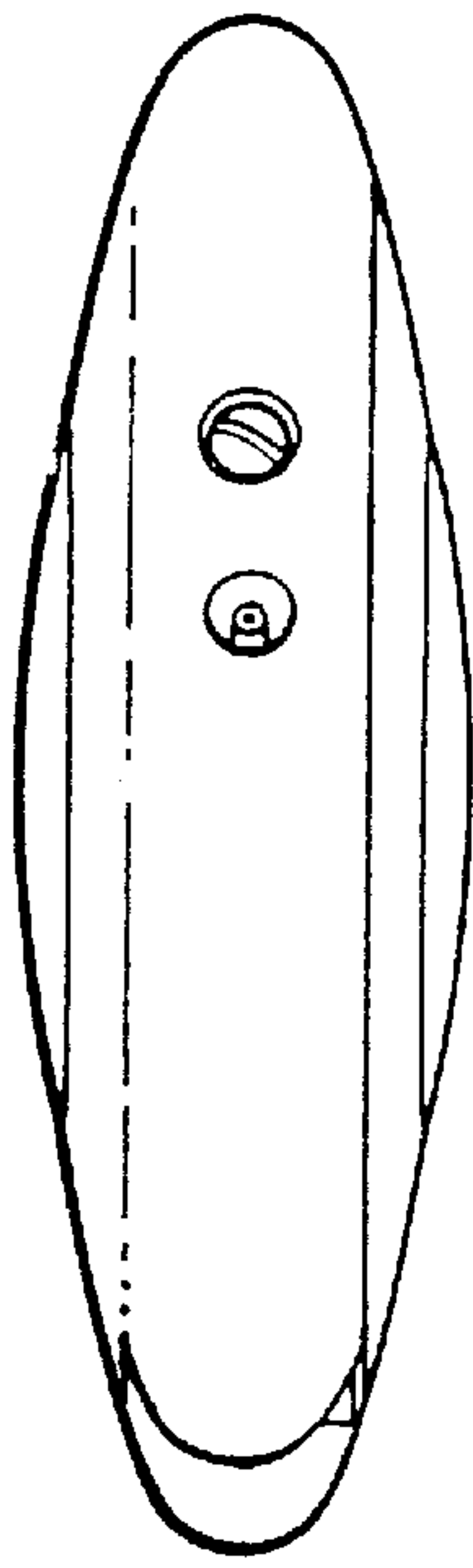


Fig. 8

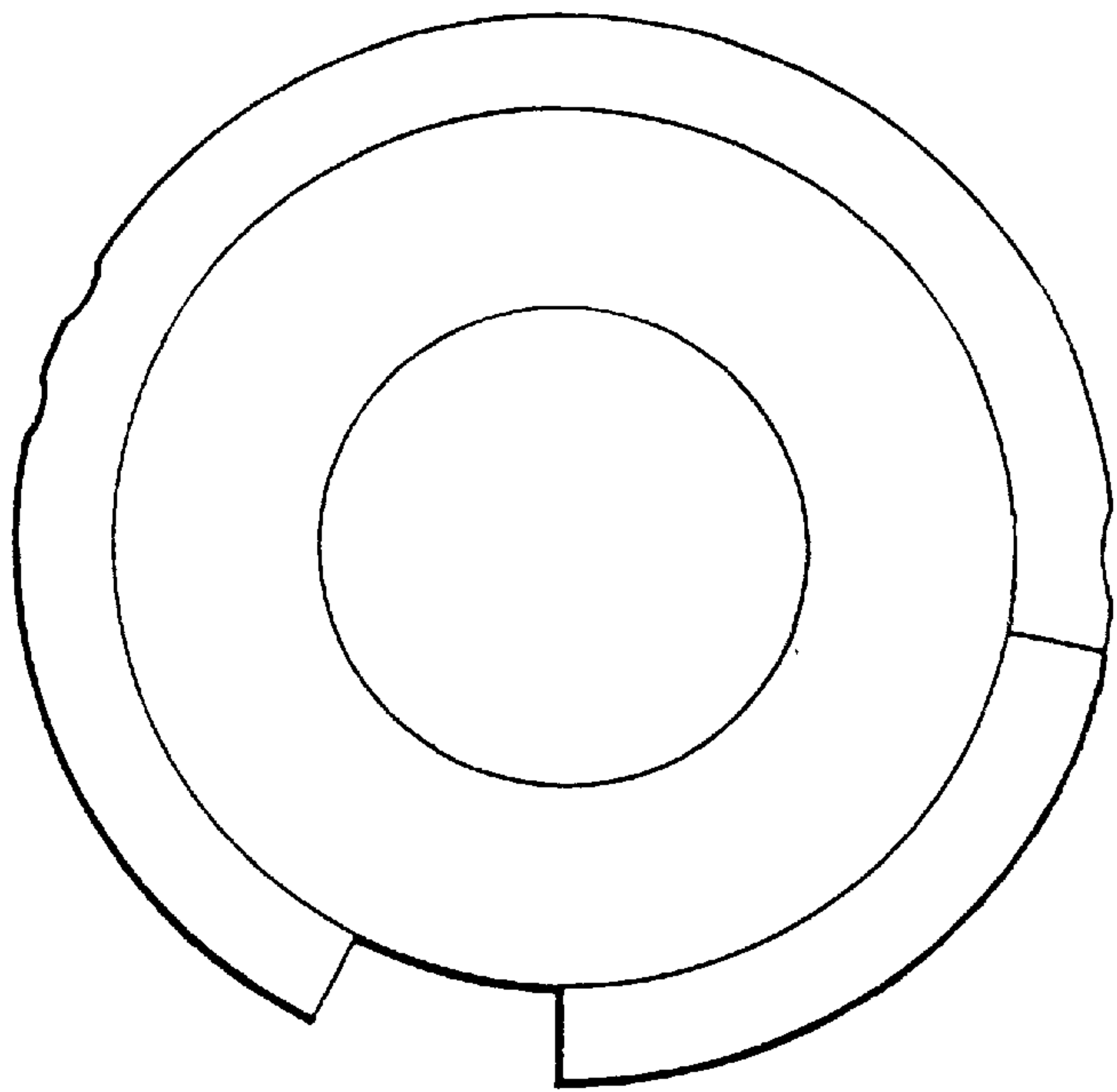


Fig. 9

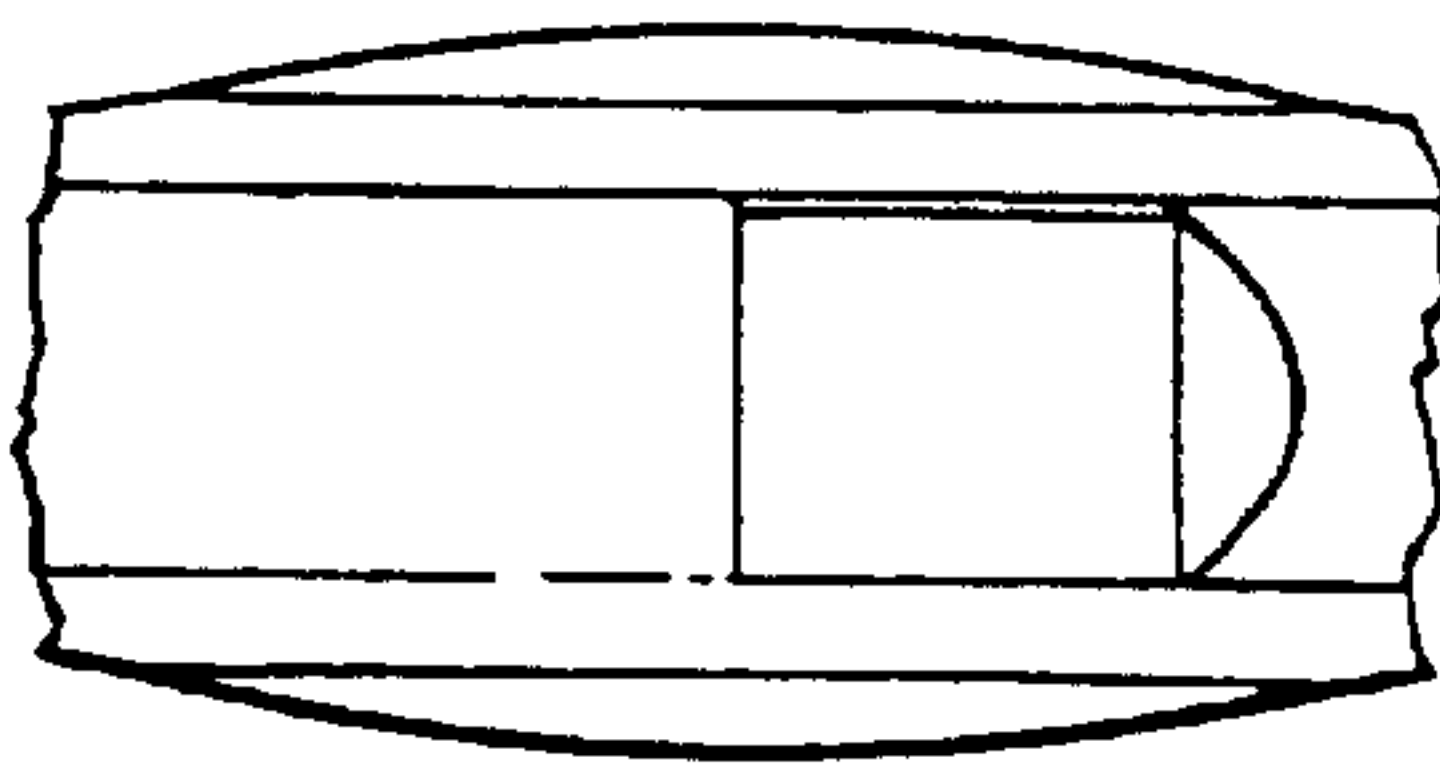


Fig. 12

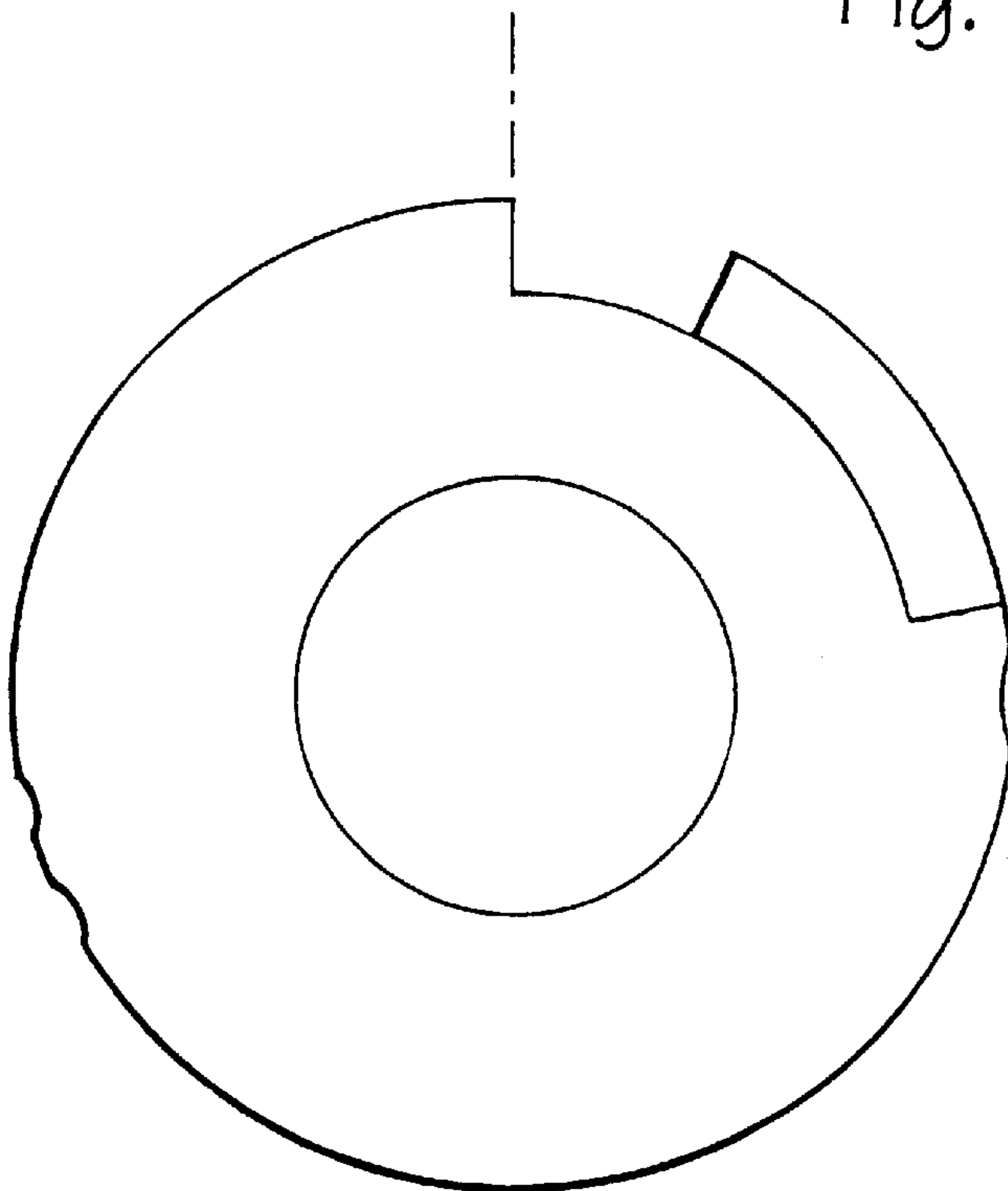


Fig. 10

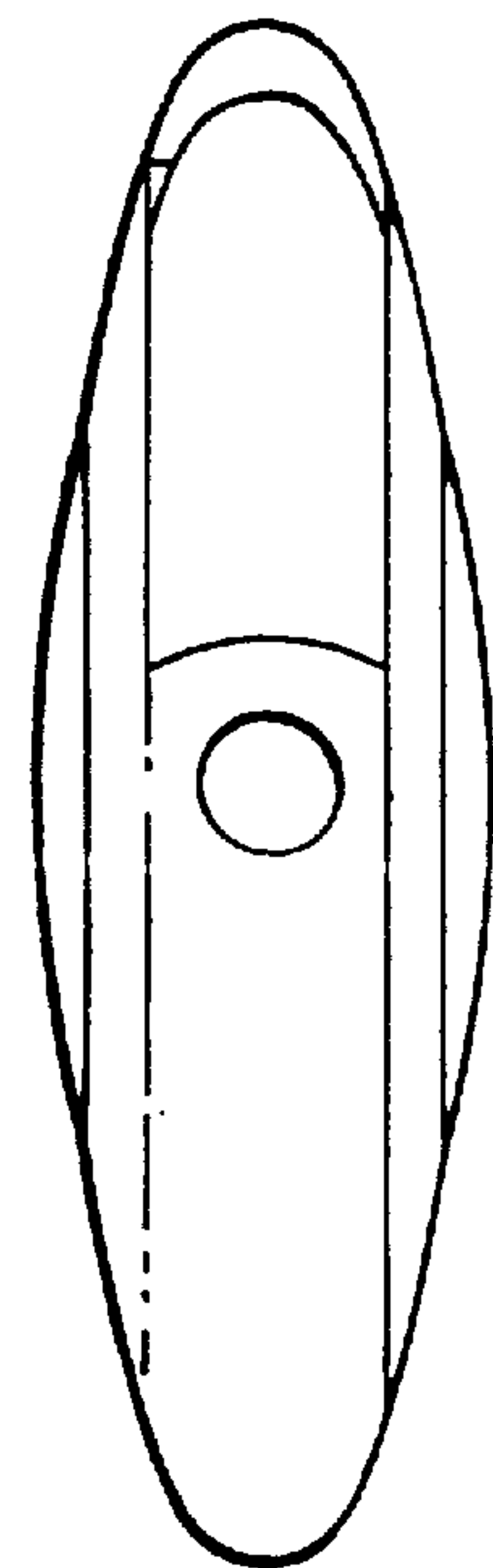


Fig. 11