



US00D440350S

(12) **United States Design Patent**
Park

(10) **Patent No.:** **US D440,350 S**

(45) **Date of Patent:** **** Apr. 10, 2001**

(54) **POCKET TOOL ATTACHED TO A LIGHTER**

2,032,695 * 3/1936 Gimera et al. 431/151
5,829,965 * 11/1998 Rubalcava 431/253

(76) Inventor: **Kyunghan Park**, #21-52,
Yokchon-1dong, Eunpyong-ku, Seoul
(KR)

* cited by examiner

(**) Term: **14 Years**

Primary Examiner—Susan J. Lucas
Assistant Examiner—Jennifer Rivard
(74) *Attorney, Agent, or Firm*—McGuire Woods, LLP

(21) Appl. No.: **29/111,236**

(57) **CLAIM**

(22) Filed: **Oct. 13, 1999**

The ornamental design for a pocket tool attached to a lighter,
as shown and described.

(30) **Foreign Application Priority Data**

May 4, 1999 (KR) 99-9556

DESCRIPTION

(51) **LOC (7) Cl.** **27-05**

(52) **U.S. Cl.** **D27/142; D8/105**

(58) **Field of Search** 431/253, 151,
431/152, 277; D8/34, 105; 7/128; D27/139,
141, 142, 143, 156, 158, 159, 157

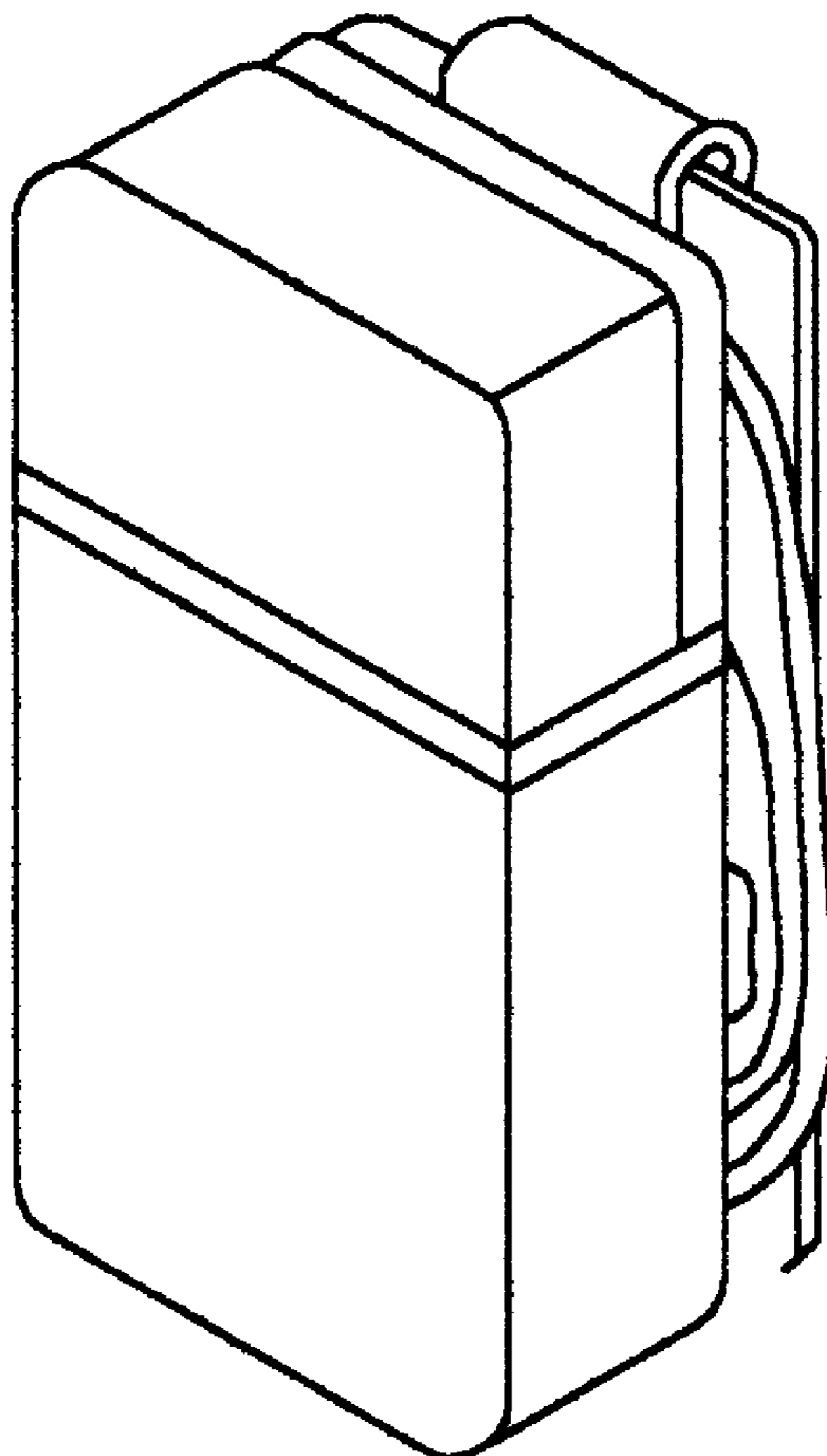
FIG. 1 is a perspective view of a pocket tool attached to a
lighter and its body;
FIG. 2 is a front view thereof;
FIG. 3 is a rear view thereof;
FIG. 4 is a left side view thereof;
FIG. 5 is a right side view thereof;
FIG. 6 is a top view thereof;
FIG. 7 is a bottom view thereof; and,
FIG. 8 is an exploded perspective view of the present
invention with a cross-sectional view disclosing the clip
portion of the design.

(56) **References Cited**

U.S. PATENT DOCUMENTS

D. 170,767 * 11/1953 Polk D27/142
D. 172,725 * 7/1954 Polk D27/142
D. 208,425 * 8/1967 Hocq D27/143

1 Claim, 3 Drawing Sheets



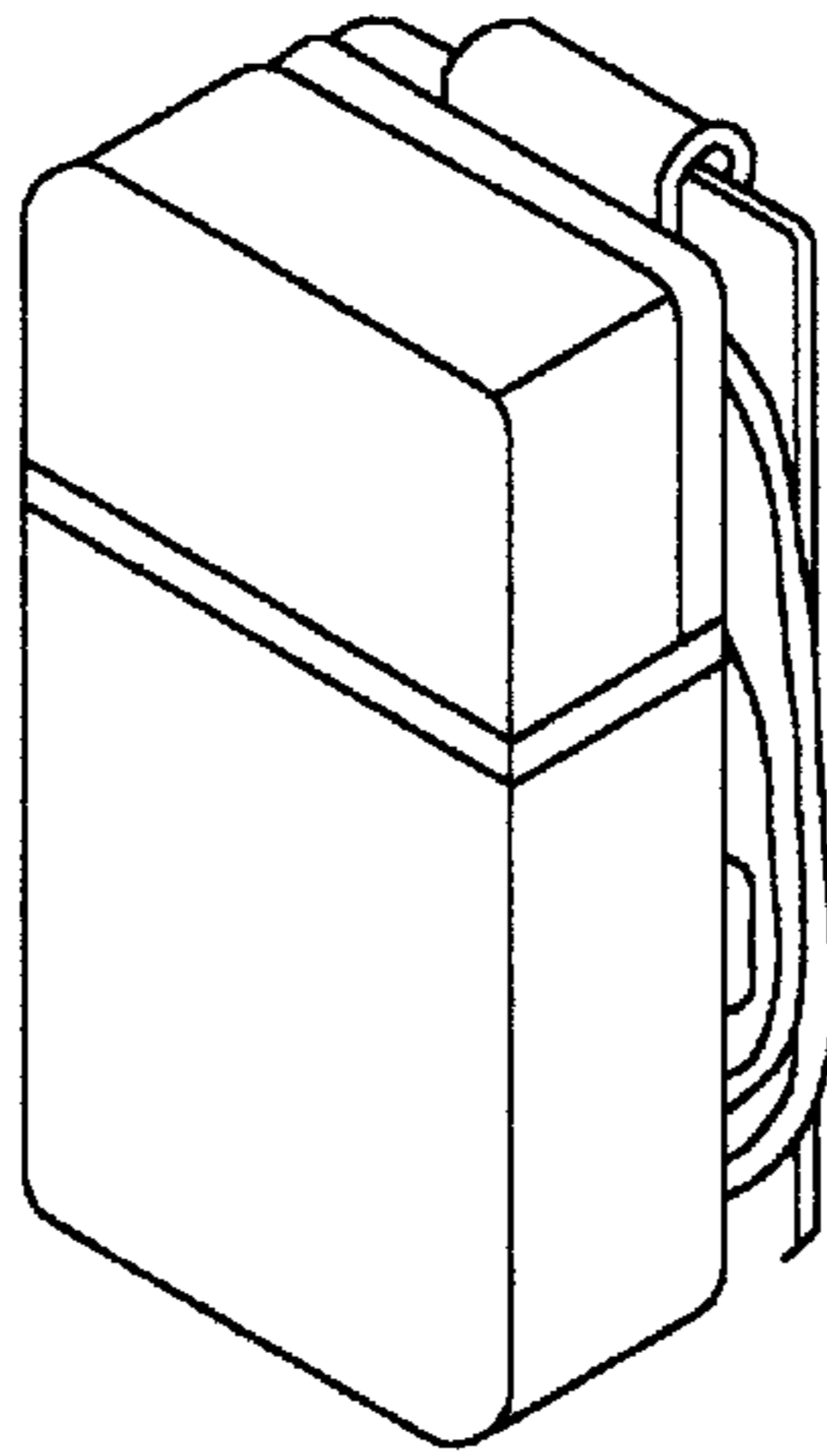


FIG. 1

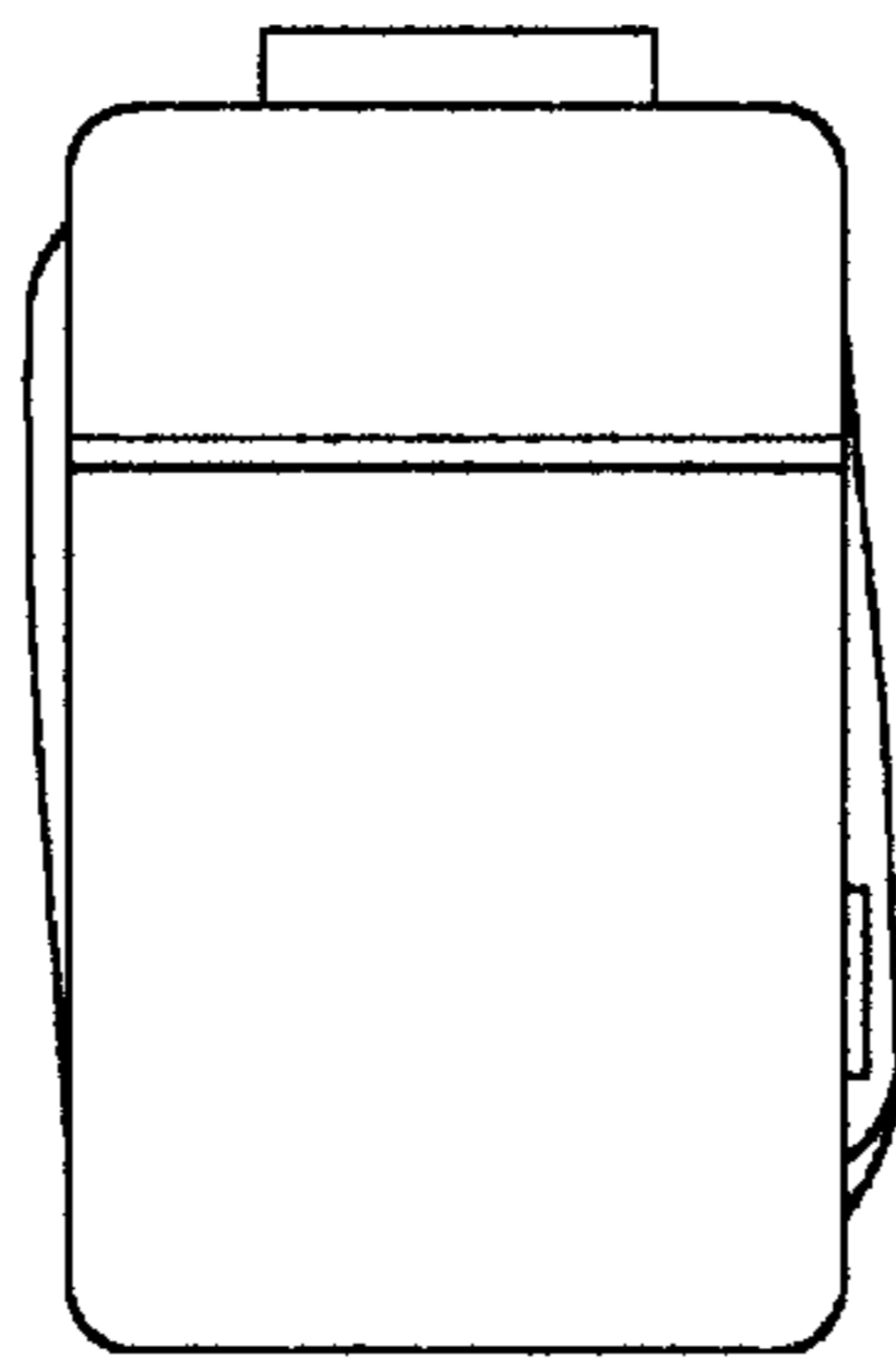


FIG. 2

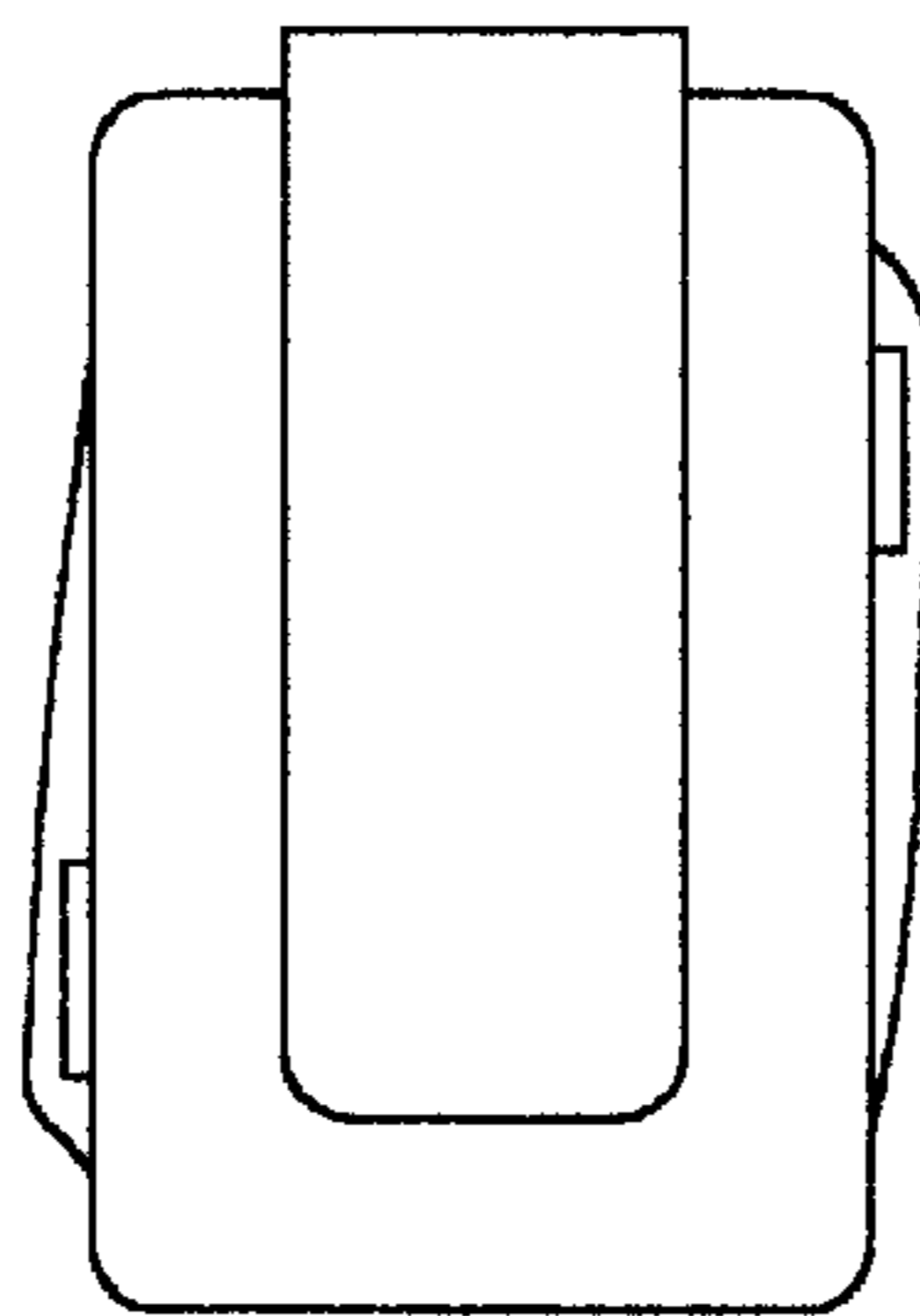


FIG. 3

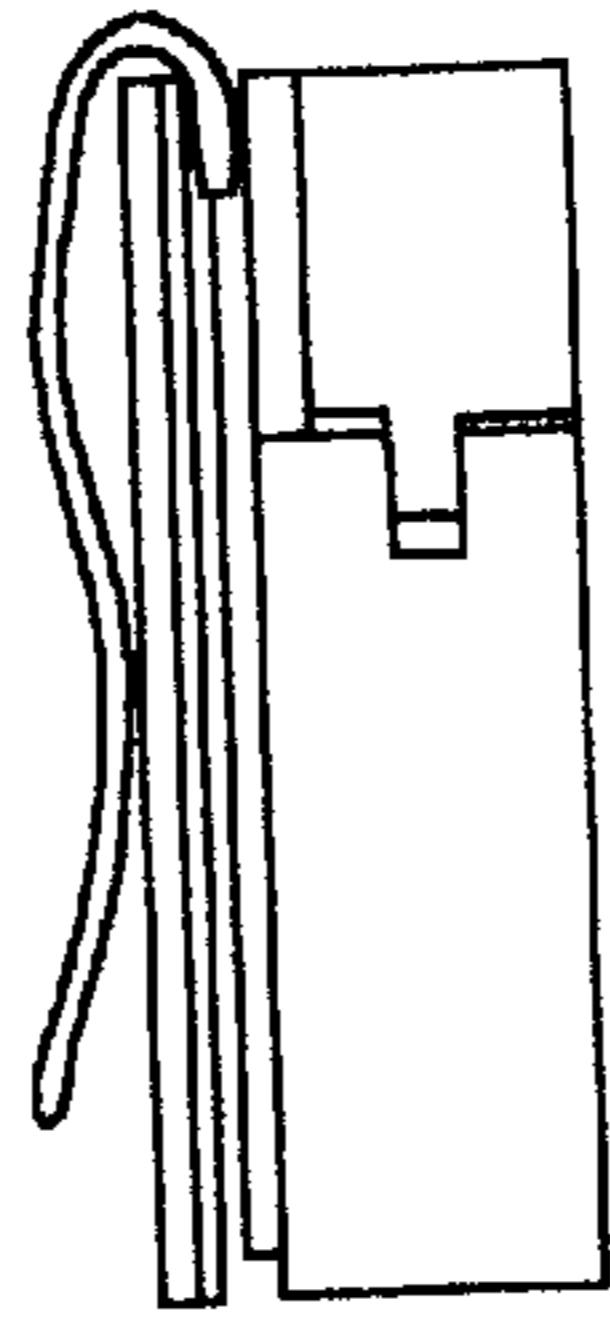


FIG. 4

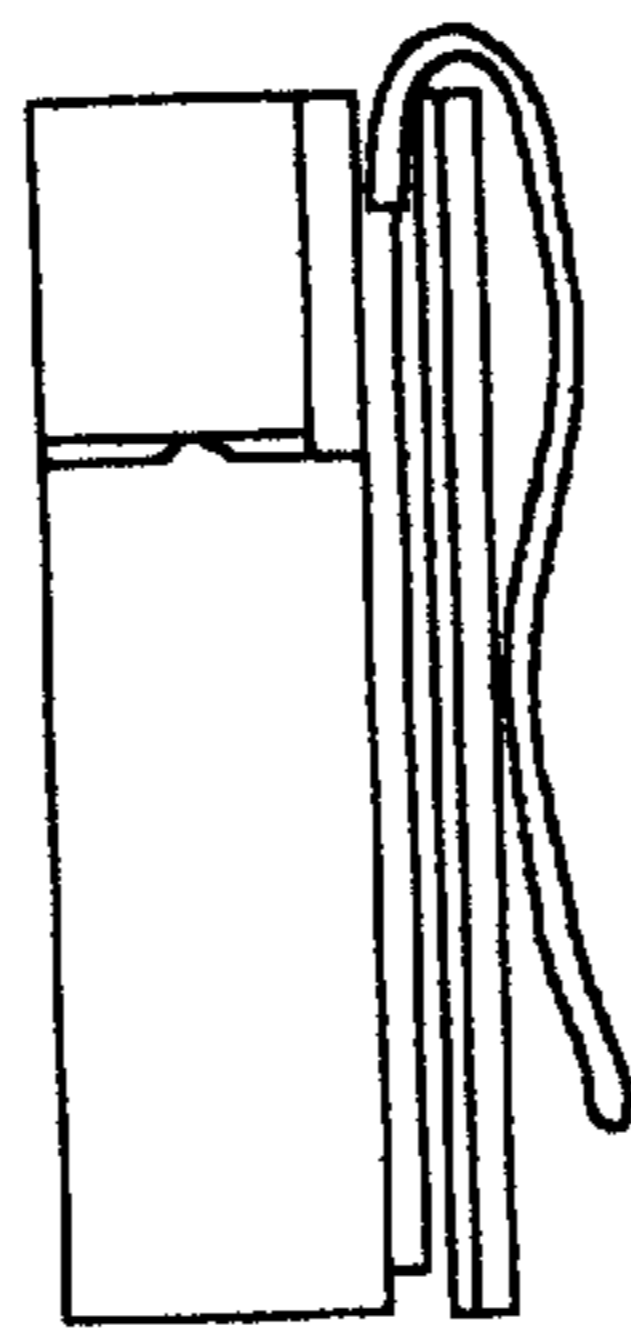


FIG. 5

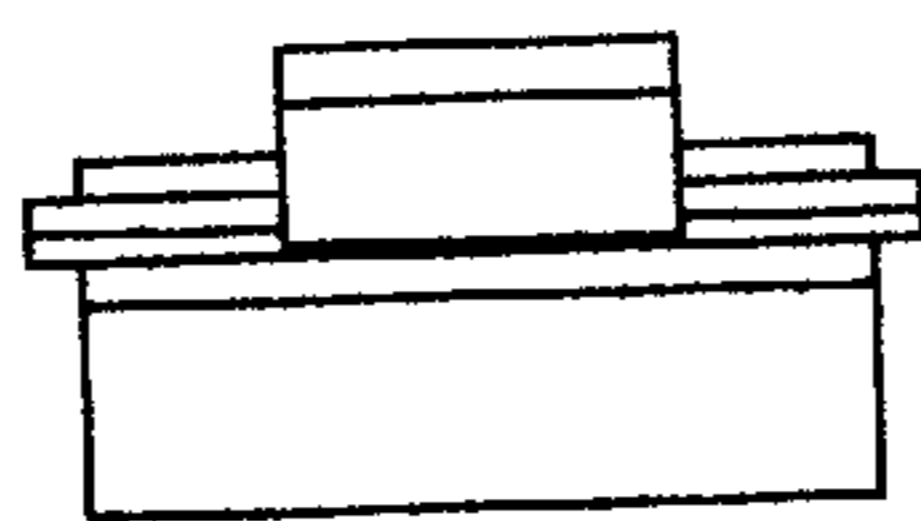


FIG. 6



FIG. 7

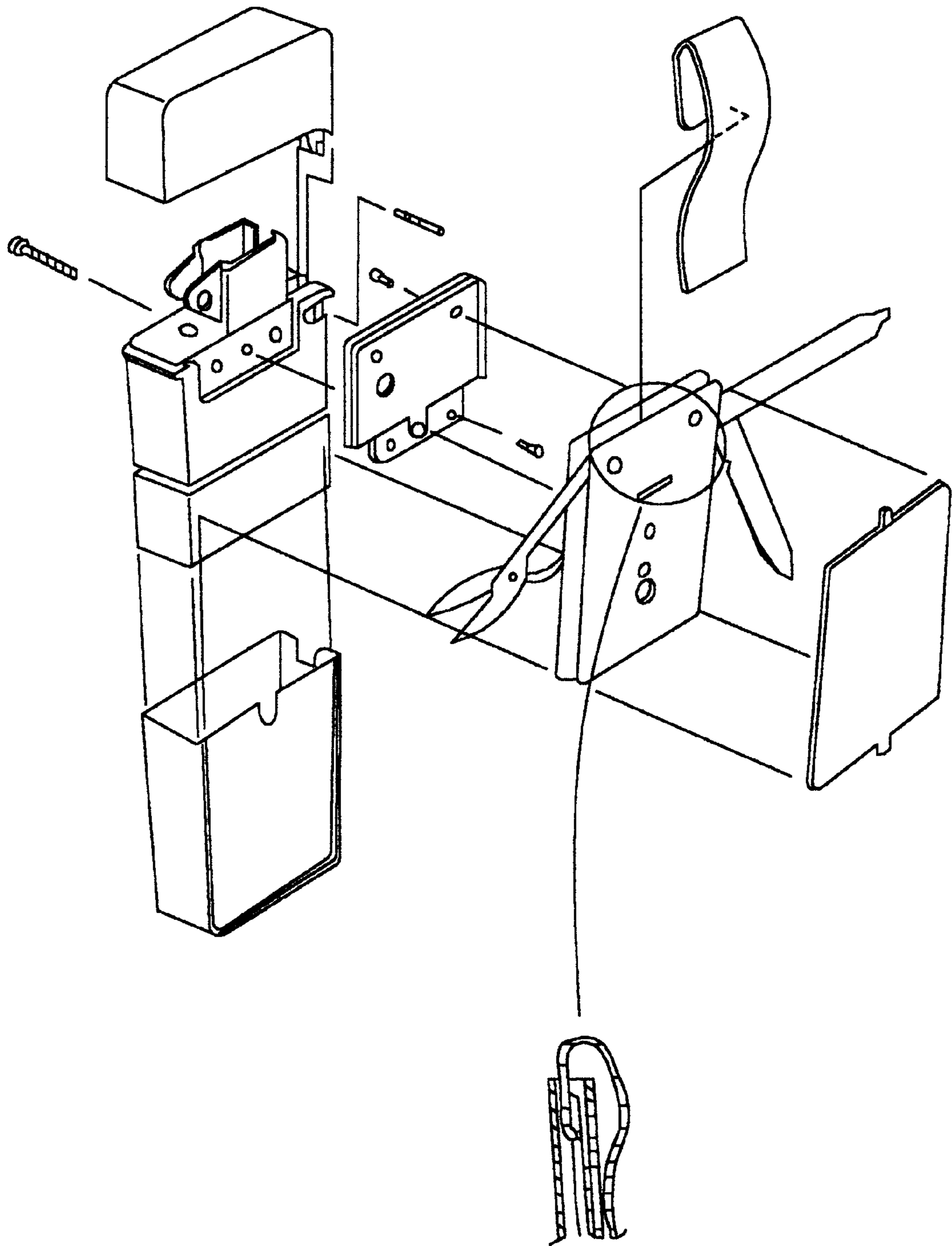


FIG. 8