



US00D440348S

(12) **United States Design Patent**
Tai

(10) **Patent No.:** **US D440,348 S**

(45) **Date of Patent:** **** Apr. 10, 2001**

(54) **UMBRELLA LAMPSHADE FRAME**

(76) **Inventor:** **Hsieh Chung Tai**, P.O. Box 10780,
Taipei (TW)

(**) **Term:** **14 Years**

(21) **Appl. No.:** **29/106,982**

(22) **Filed:** **Jun. 28, 1999**

(51) **LOC (7) Cl.** **26-99**

(52) **U.S. Cl.** **D26/144**

(58) **Field of Search** D26/93-112, 118-138,
D26/141-144, 149, 152-155; 362/410-414,
344, 358, 376, 417, 433

(56) **References Cited**

U.S. PATENT DOCUMENTS

- D. 100,590 * 7/1936 Wangersheim D26/144
- D. 168,654 * 1/1953 Pretzer D26/76
- D. 340,313 * 10/1993 Husted D26/144

* cited by examiner

Primary Examiner—Alan P. Douglas

Assistant Examiner—Linda Brooks

(74) *Attorney, Agent, or Firm*—Rabin & Champagne, P.C.

(57) **CLAIM**

The ornamental design for an umbrella lampshade frame, as shown and described.

DESCRIPTION

FIG. 1 is a perspective view of an umbrella lampshade frame showing my design;

FIG. 2 is a front view thereof;

FIG. 3 is a rear view thereof;

FIG. 4 is a left view thereof;

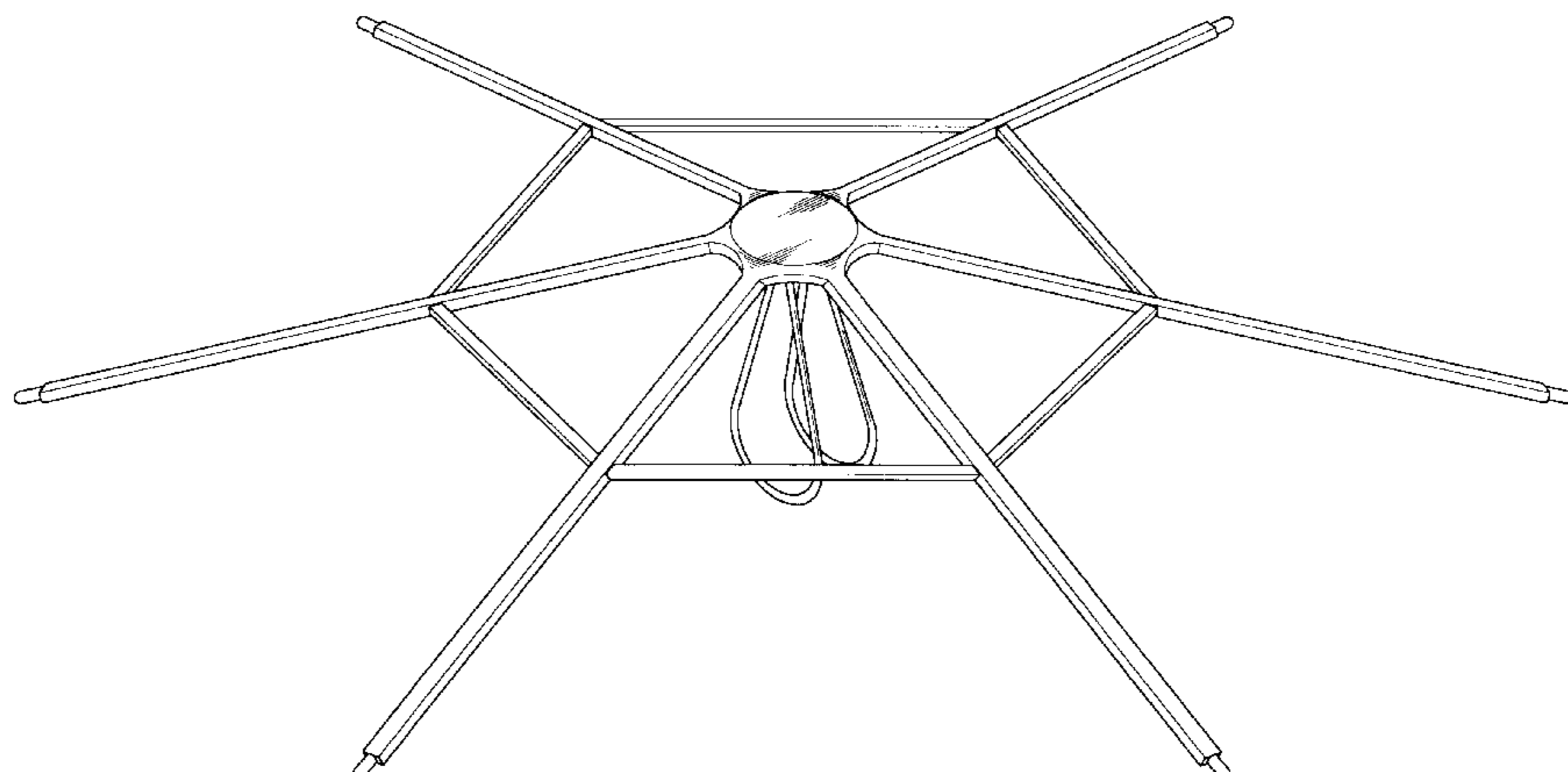
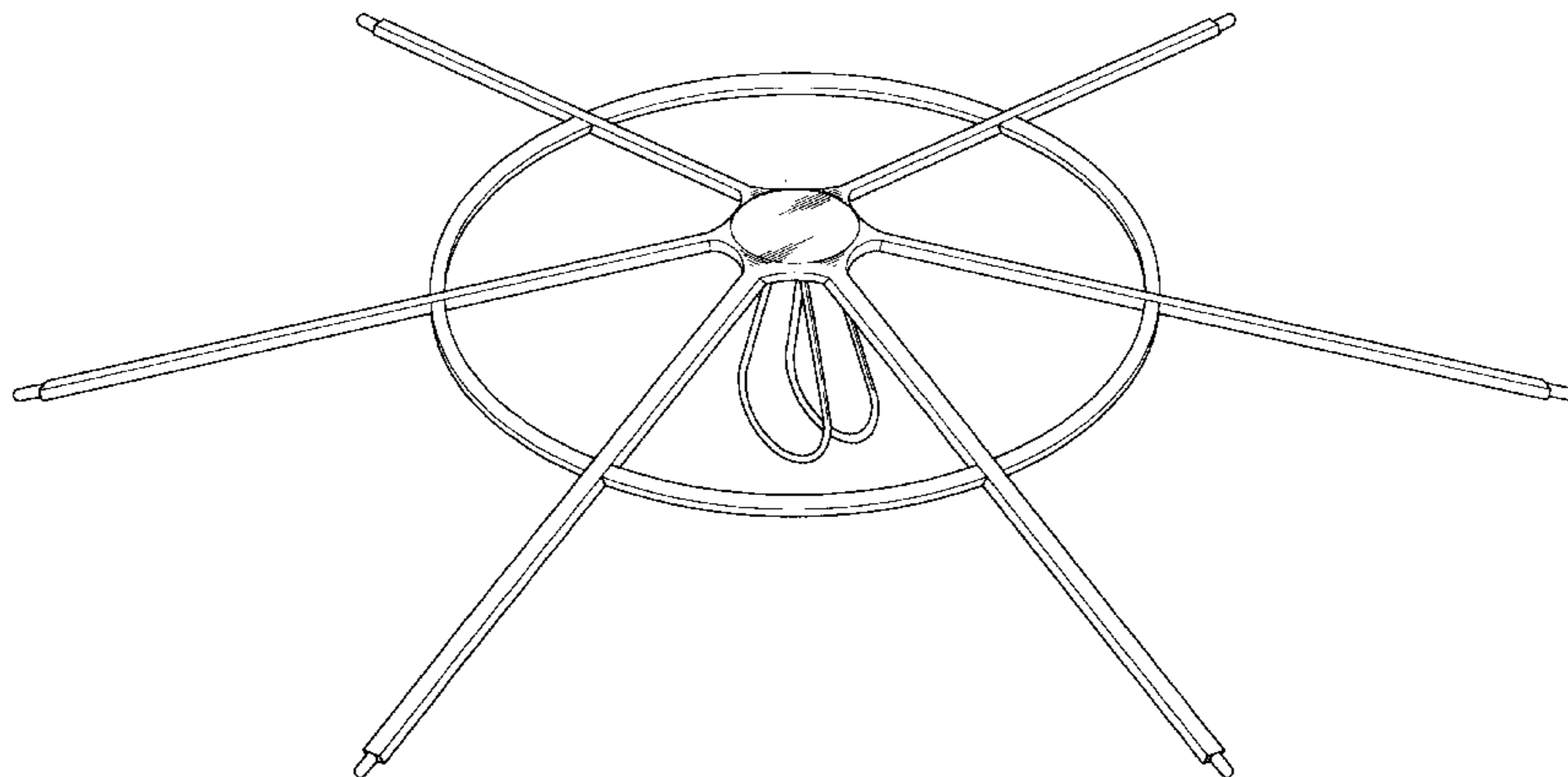
FIG. 5 is a right side view thereof;

FIG. 6 is a top plan view thereof;

FIG. 7 is a bottom view thereof; and,

FIG. 8 is a perspective view of a second embodiment of the umbrella lampshade frame.

1 Claim, 6 Drawing Sheets



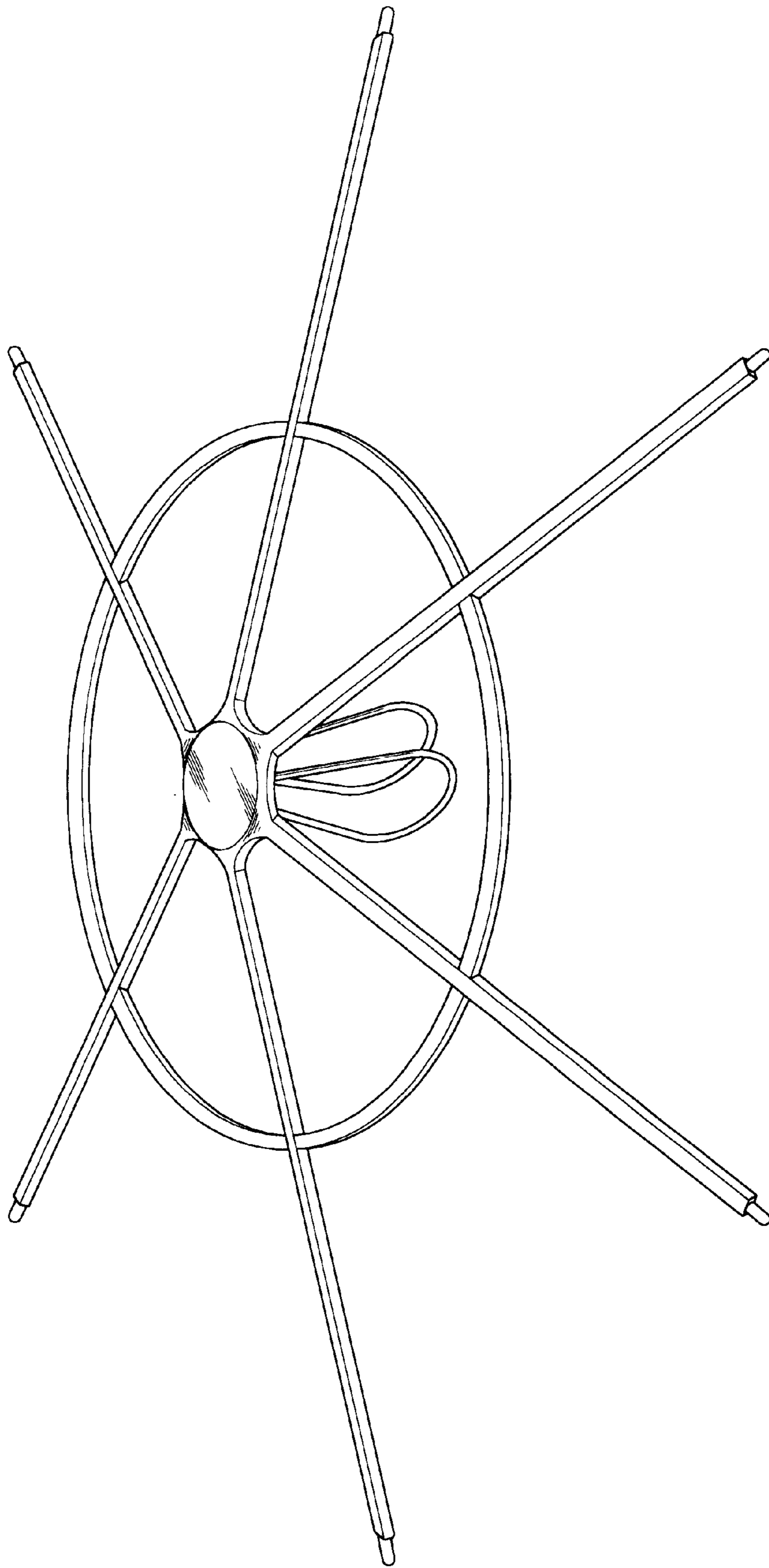


Fig. 1

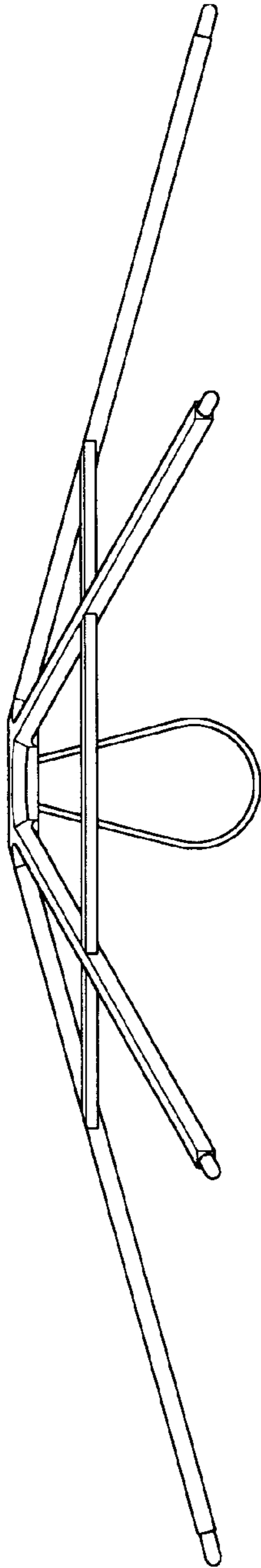


Fig. 2

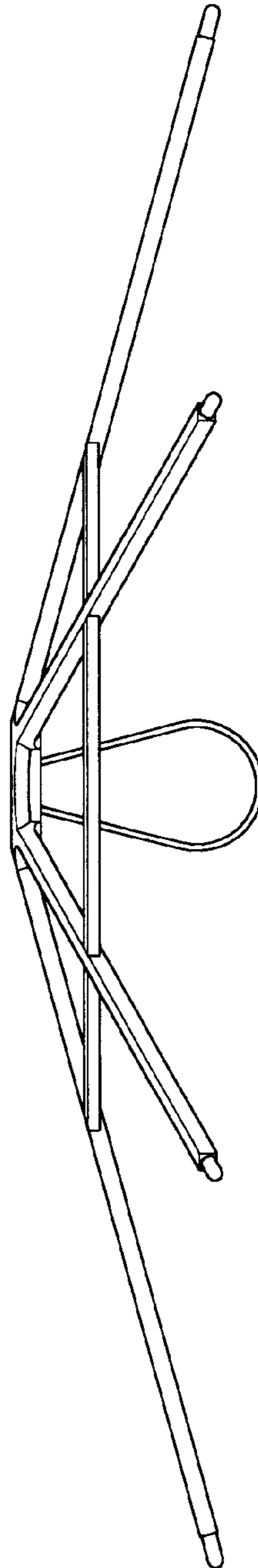


Fig. 3

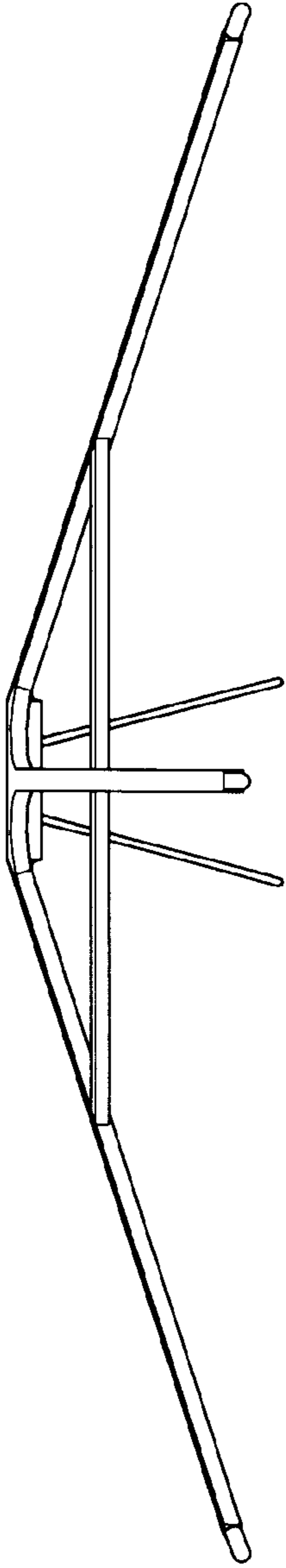


Fig. 4

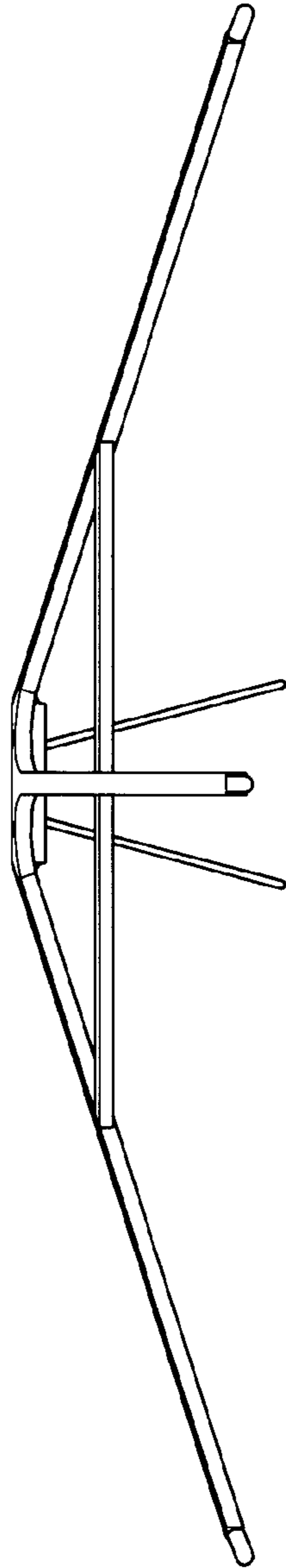


Fig. 5

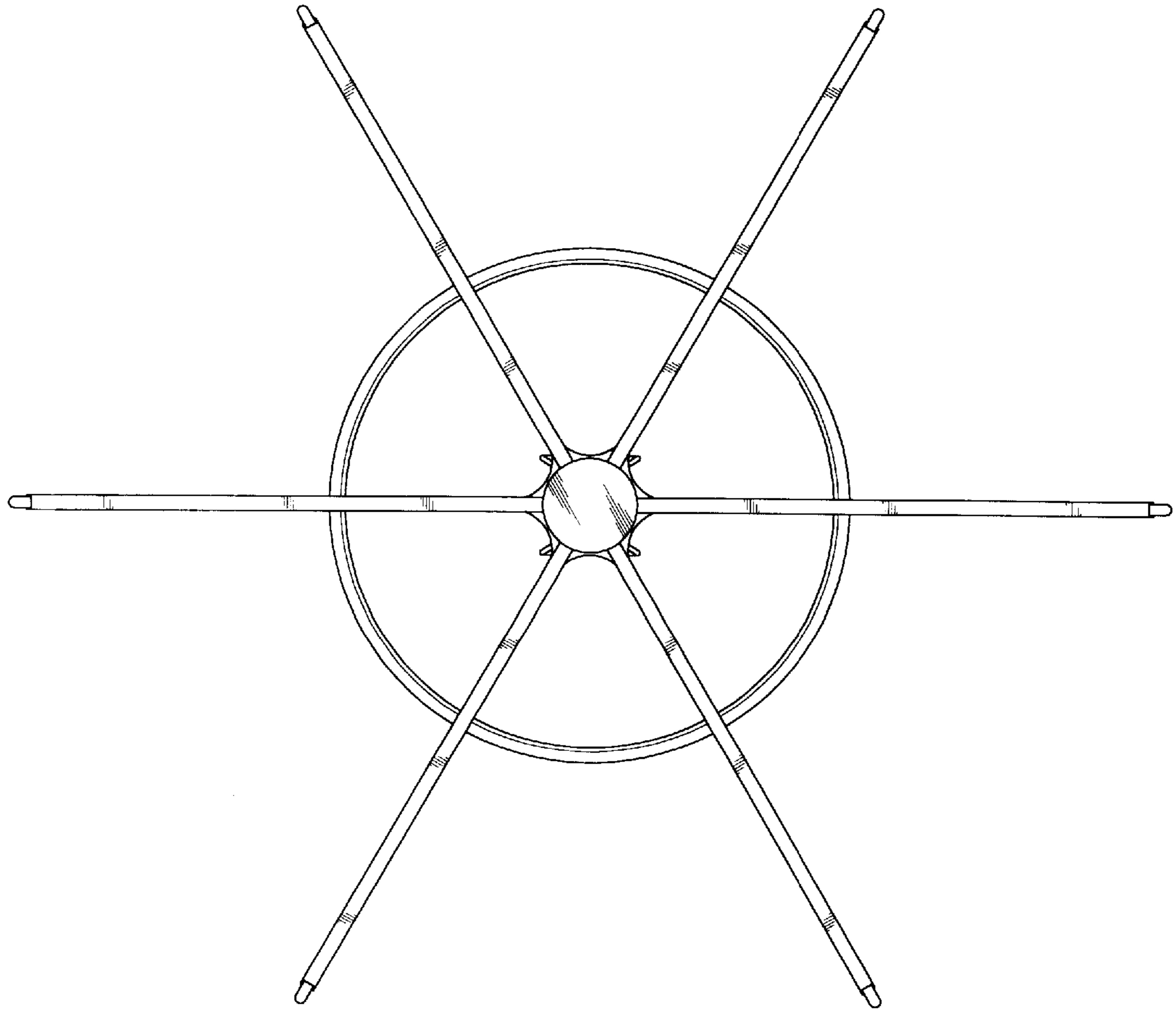


Fig. 6

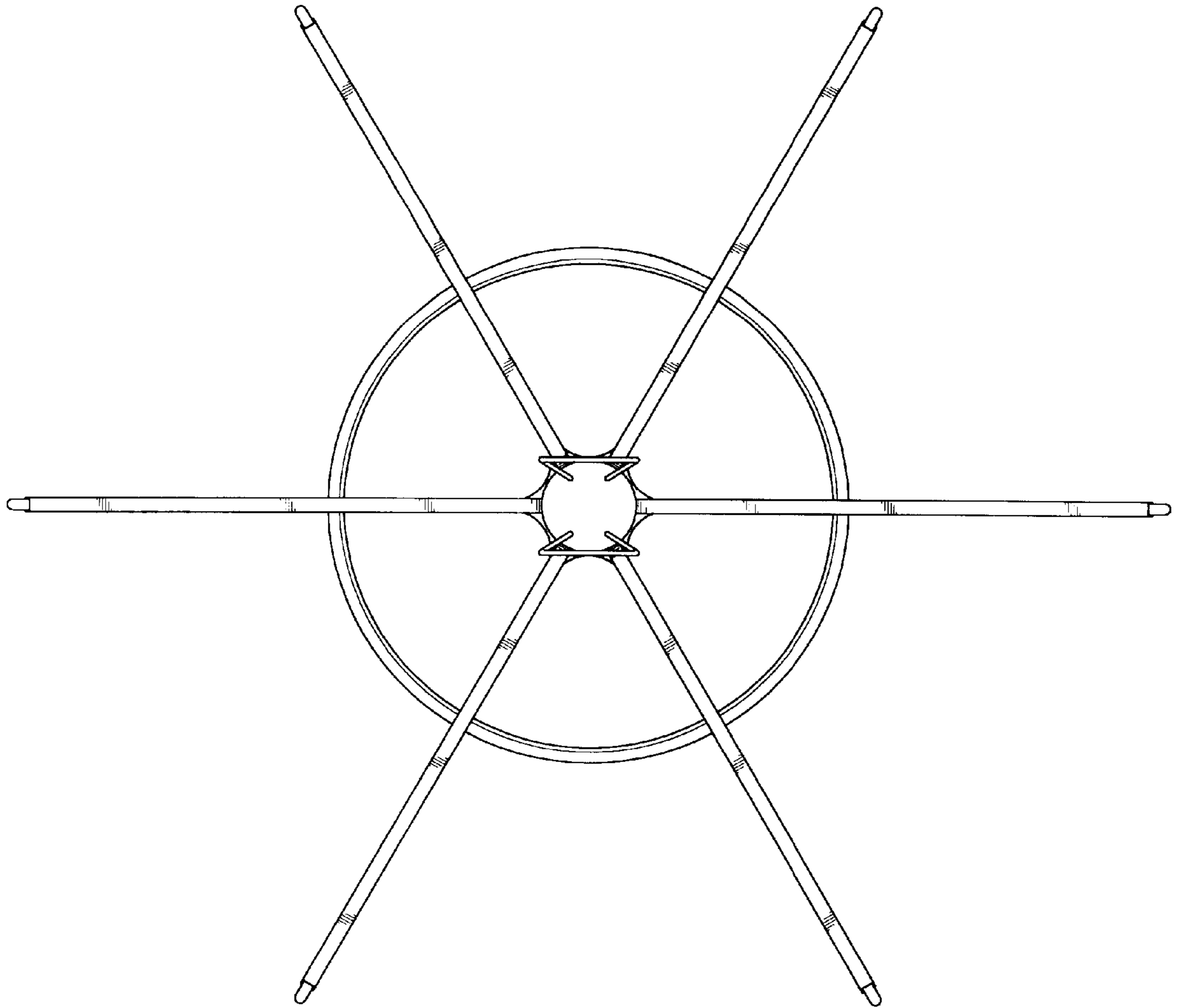


Fig. 7

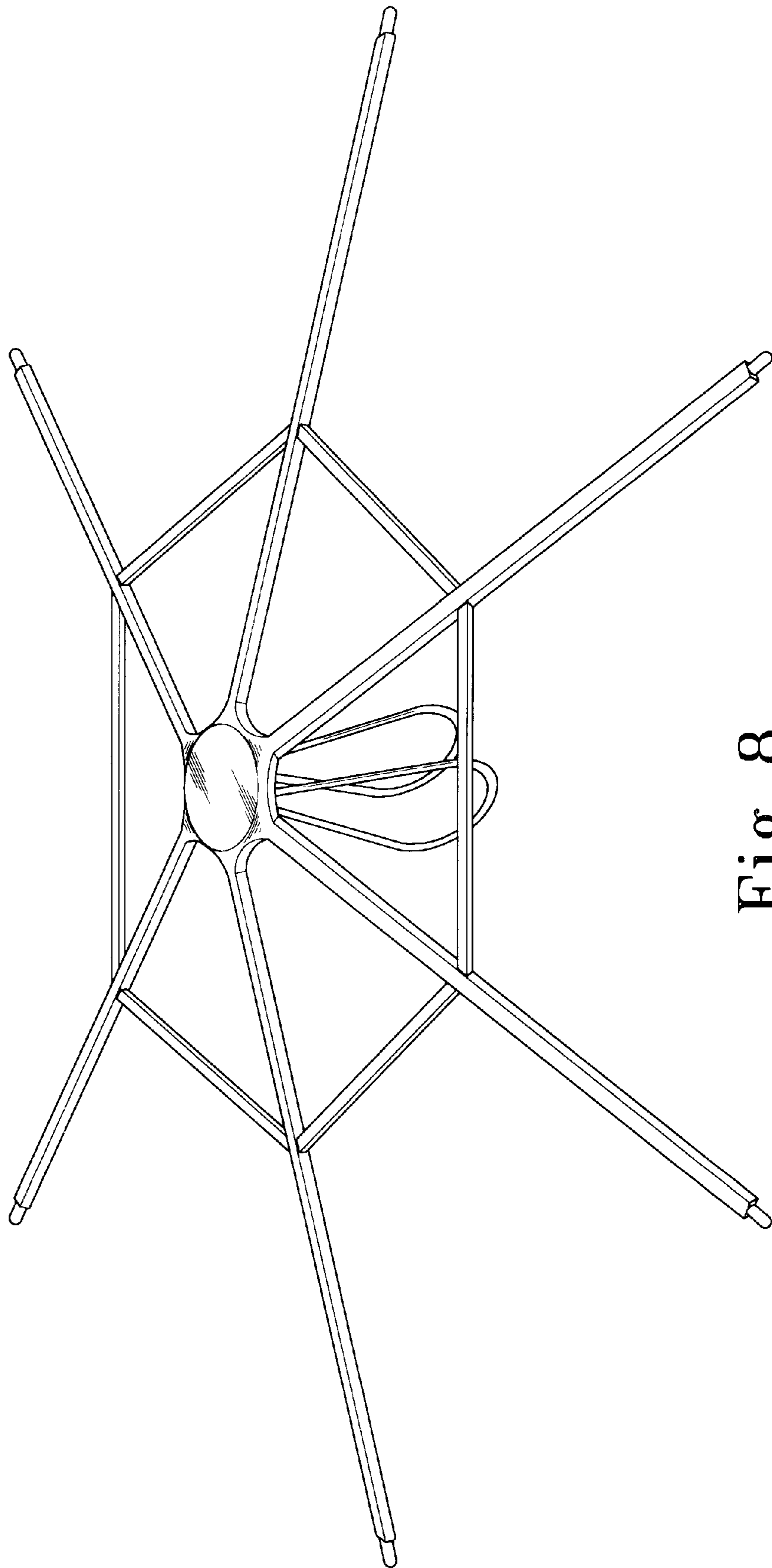


Fig. 8