



US00D440345S

(12) **United States Design Patent**  
**Hsieh**

(10) **Patent No.:** **US D440,345 S**

(45) **Date of Patent:** **\*\* Apr. 10, 2001**

(54) **BATH LAMP**

(76) **Inventor:** **Freda Hsieh**, No. 2, Ning Hsia East  
2nd Street, Taichung (TW)

(\*\*) **Term:** **14 Years**

(21) **Appl. No.:** **29/103,725**

(22) **Filed:** **Apr. 21, 1999**

(51) **LOC (7) Cl.** ..... **26-05**

(52) **U.S. Cl.** ..... **D26/92**

(58) **Field of Search** ..... D26/80-92; 362/147,  
362/431, 432, 404-408

(56) **References Cited**  
**PUBLICATIONS**

Corbett lighting catalog, Jan. 1994, p. 14, wall lamp #  
1573.\*

Murray Feiss lighting catalog, Mar. 1995, p. 137, wall lamp  
# VS2093 CH/PB.\*

\* cited by examiner

*Primary Examiner*—Susan J. Lucas

(74) *Attorney, Agent, or Firm*—Rosenberg, Klein & Lee

(57) **CLAIM**

The ornamental design for a bath lamp, as shown and  
described.

**DESCRIPTION**

FIG. 1 is a perspective view of bath lamp showing my new  
design;

FIG. 2 is a front elevation view thereof;

FIG. 3 is a rear elevation view thereof;

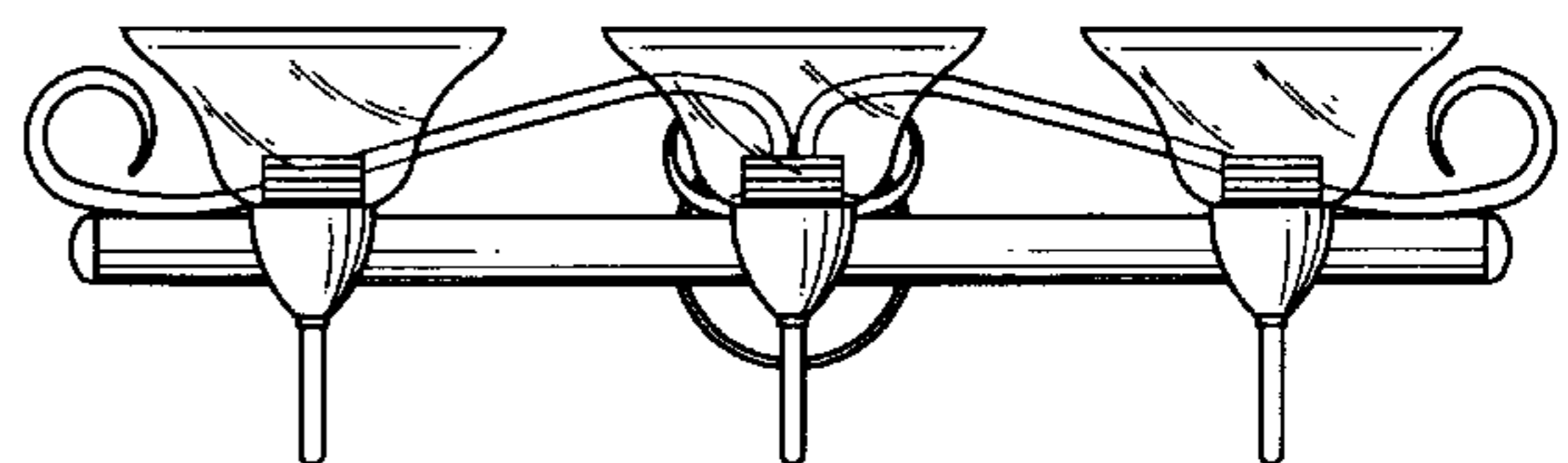
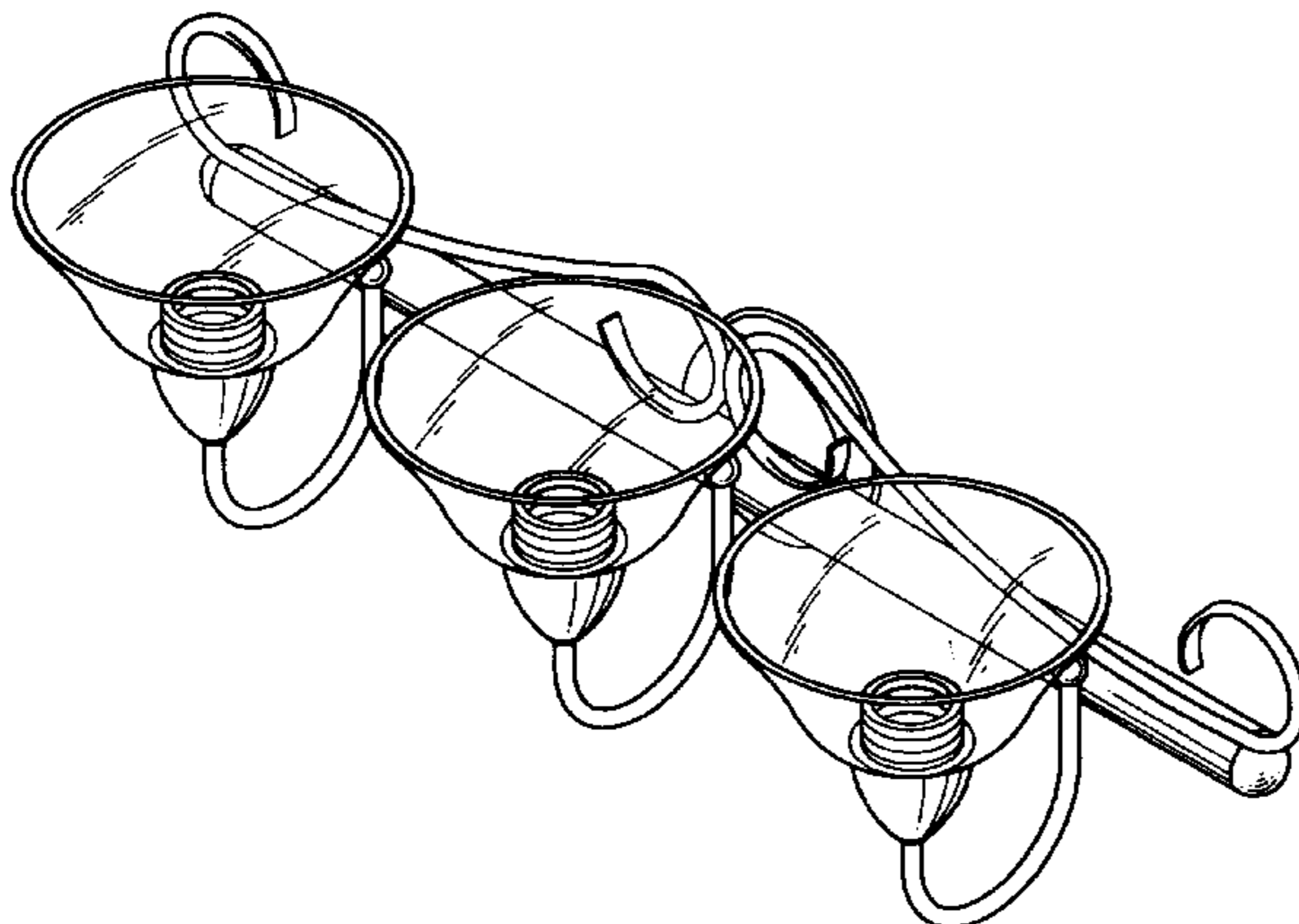
FIG. 4 is a left side elevation view thereof;

FIG. 5 is a right side elevation view thereof;

FIG. 6 is a top plan view thereof; and,

FIG. 7 is a bottom plan view thereof.

**1 Claim, 4 Drawing Sheets**



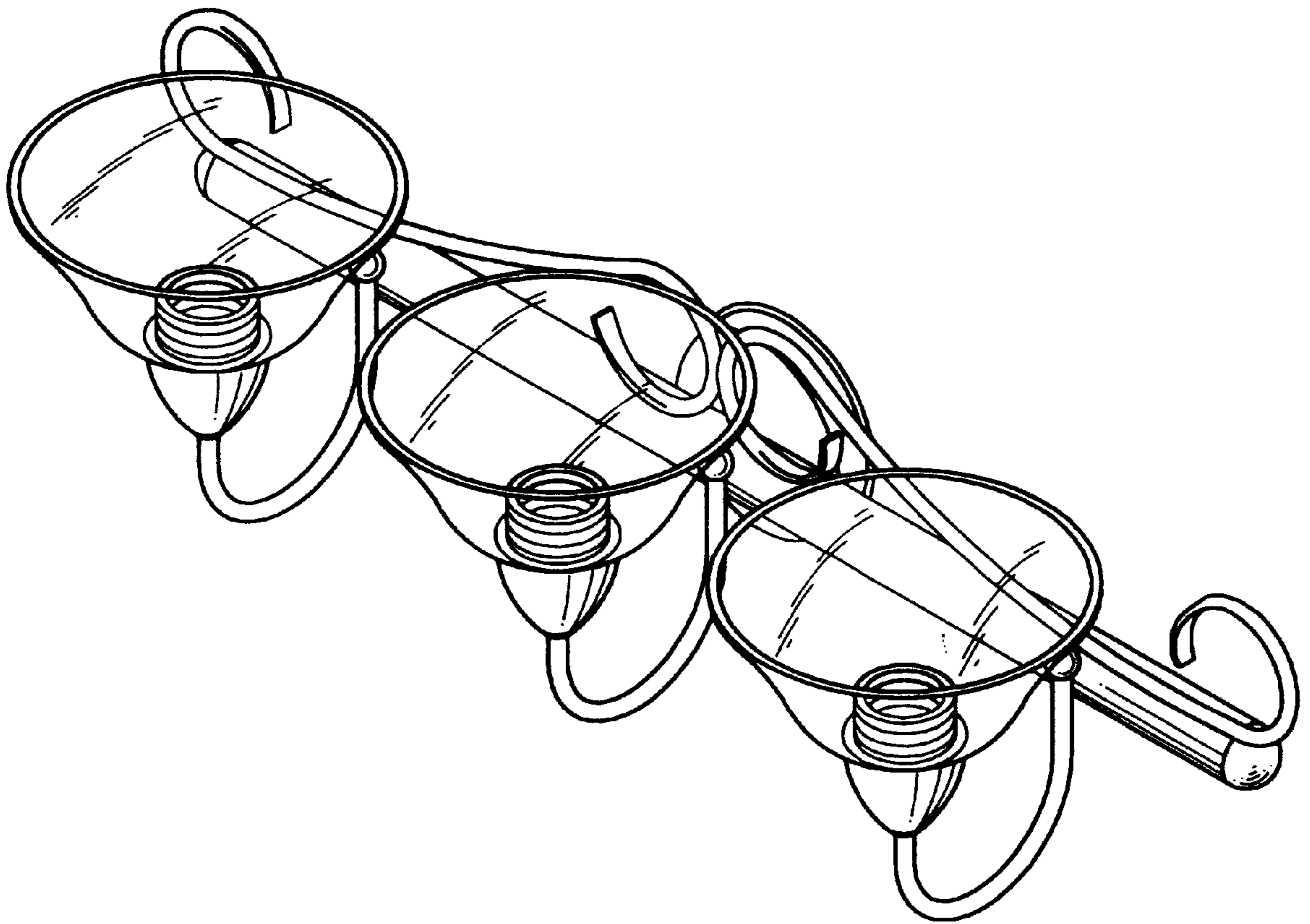


FIG. 1

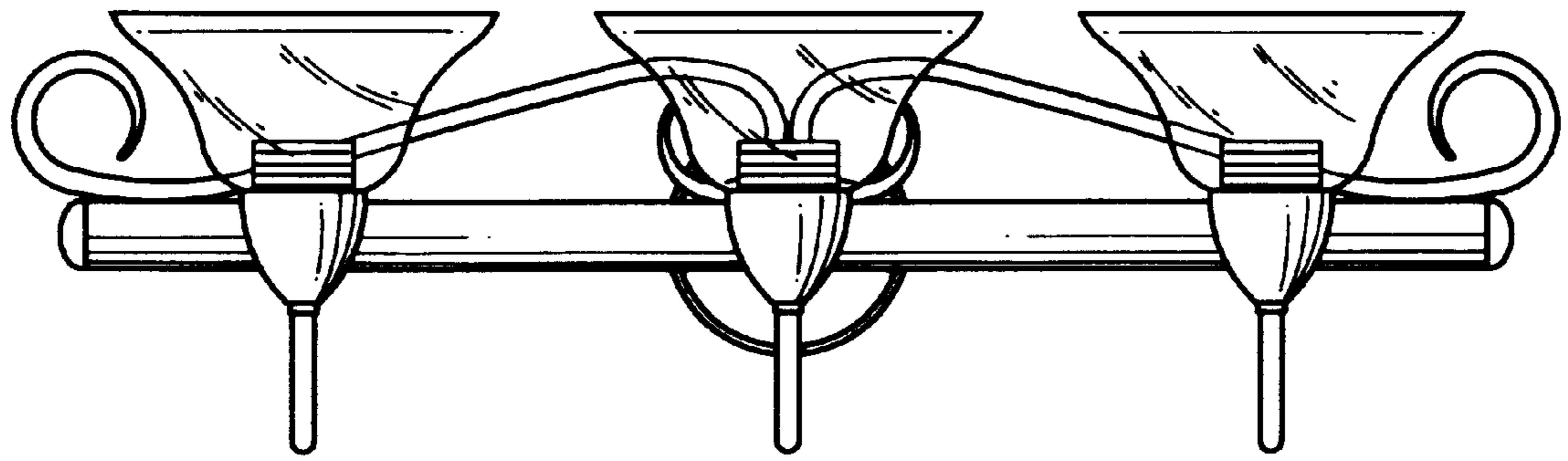


FIG. 2

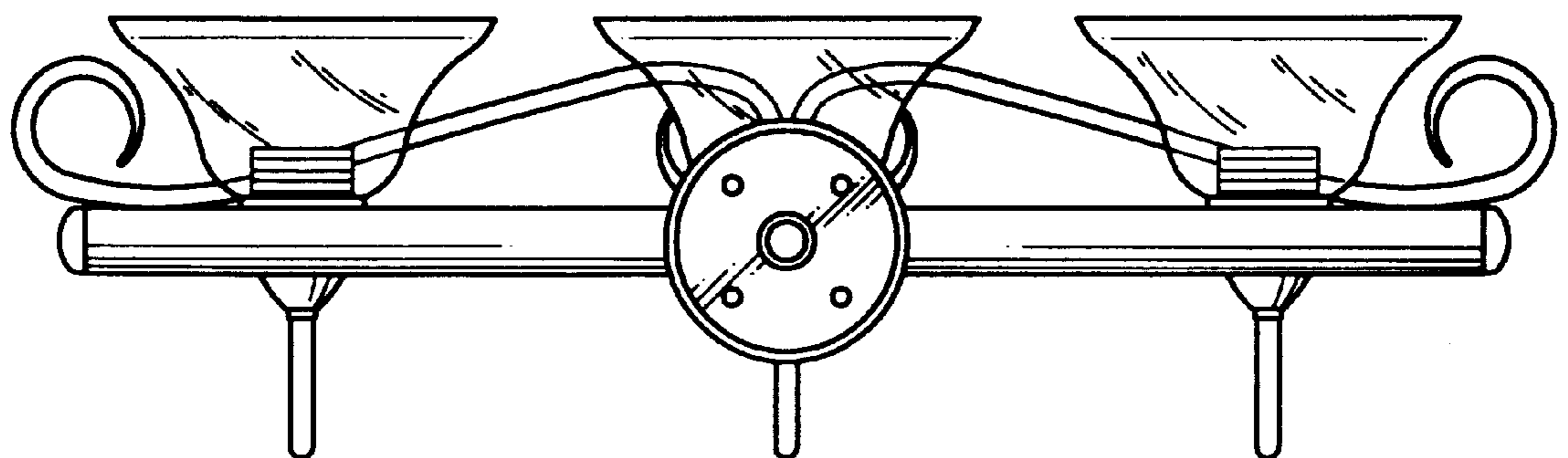


FIG. 3

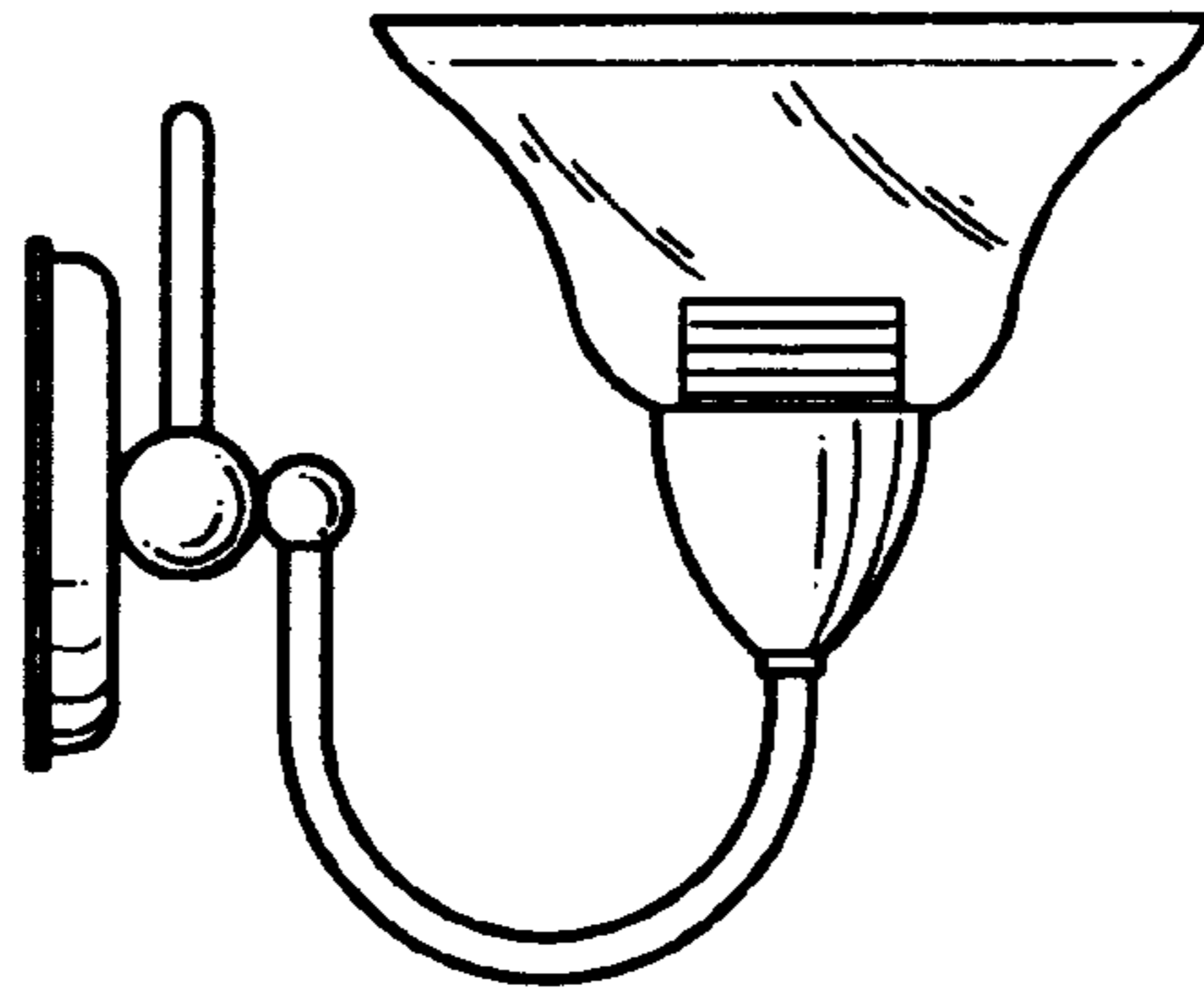


FIG. 4

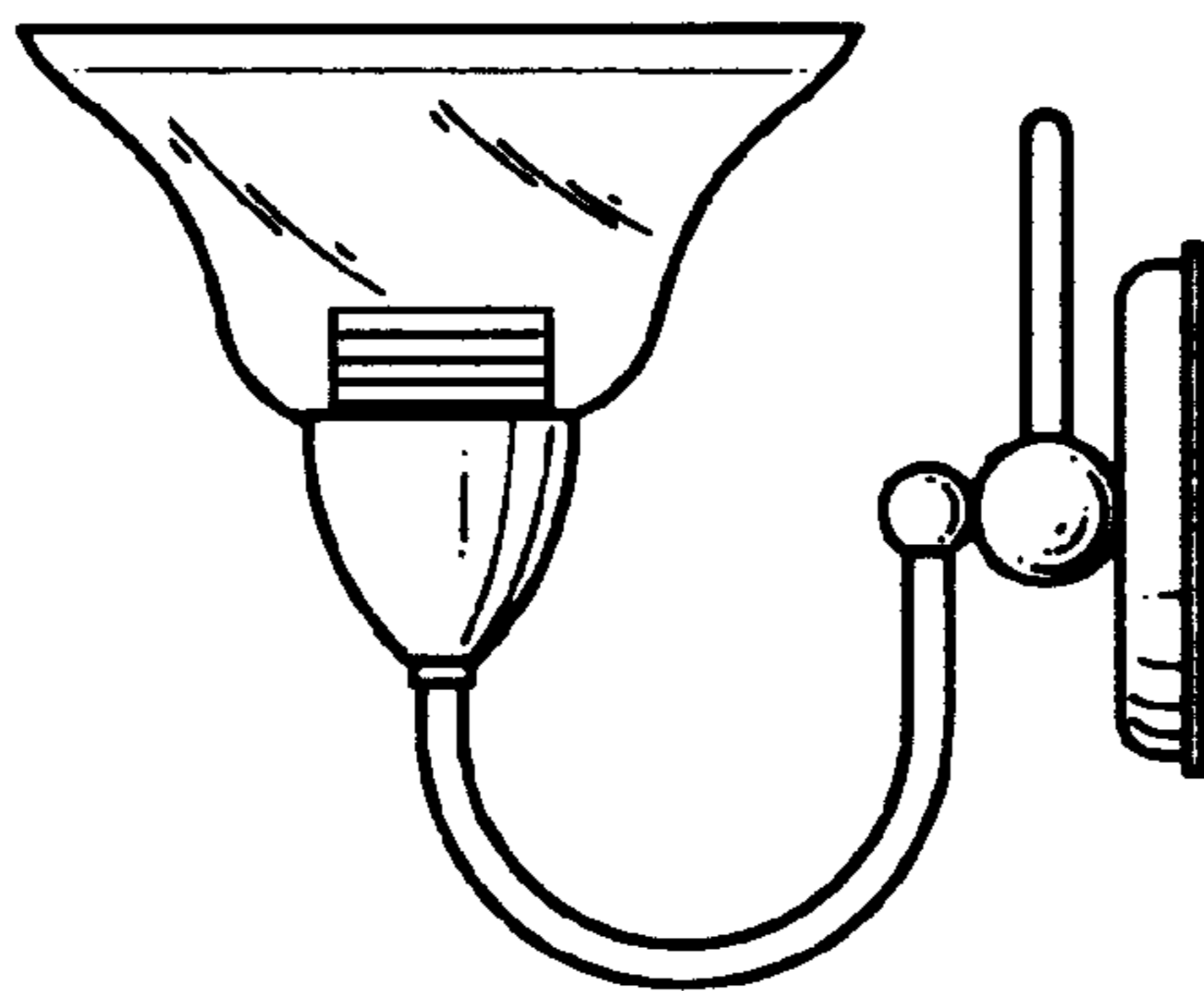


FIG. 5

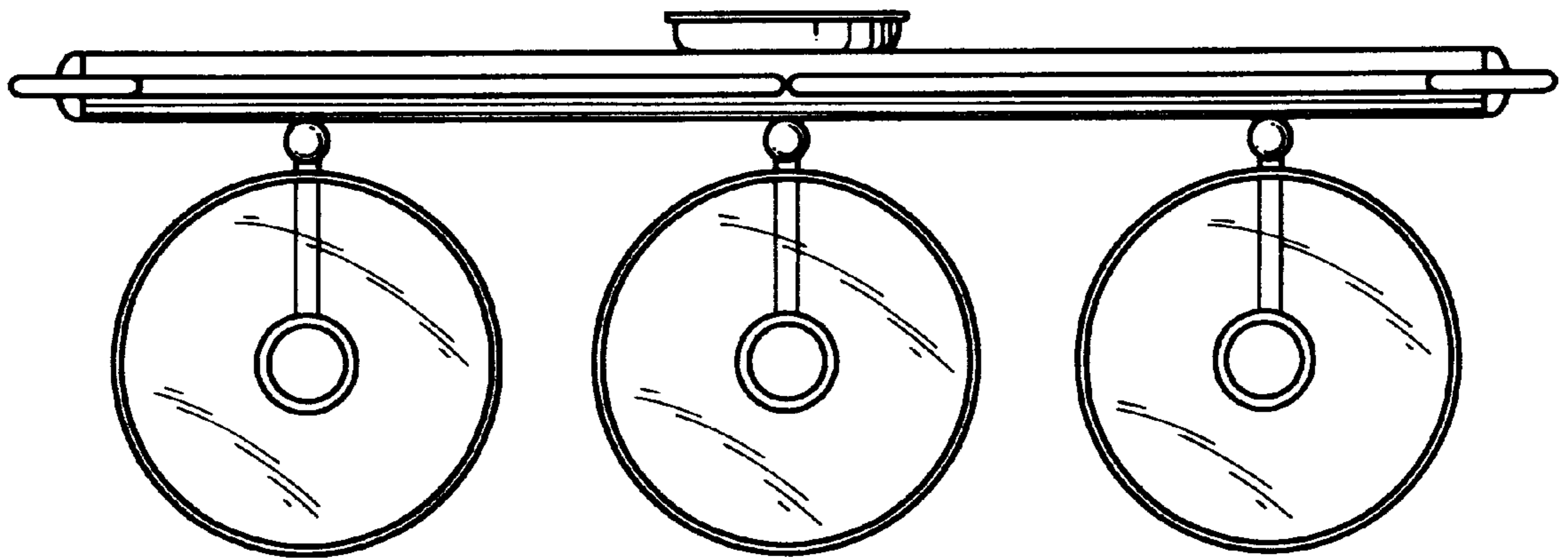


FIG. 6

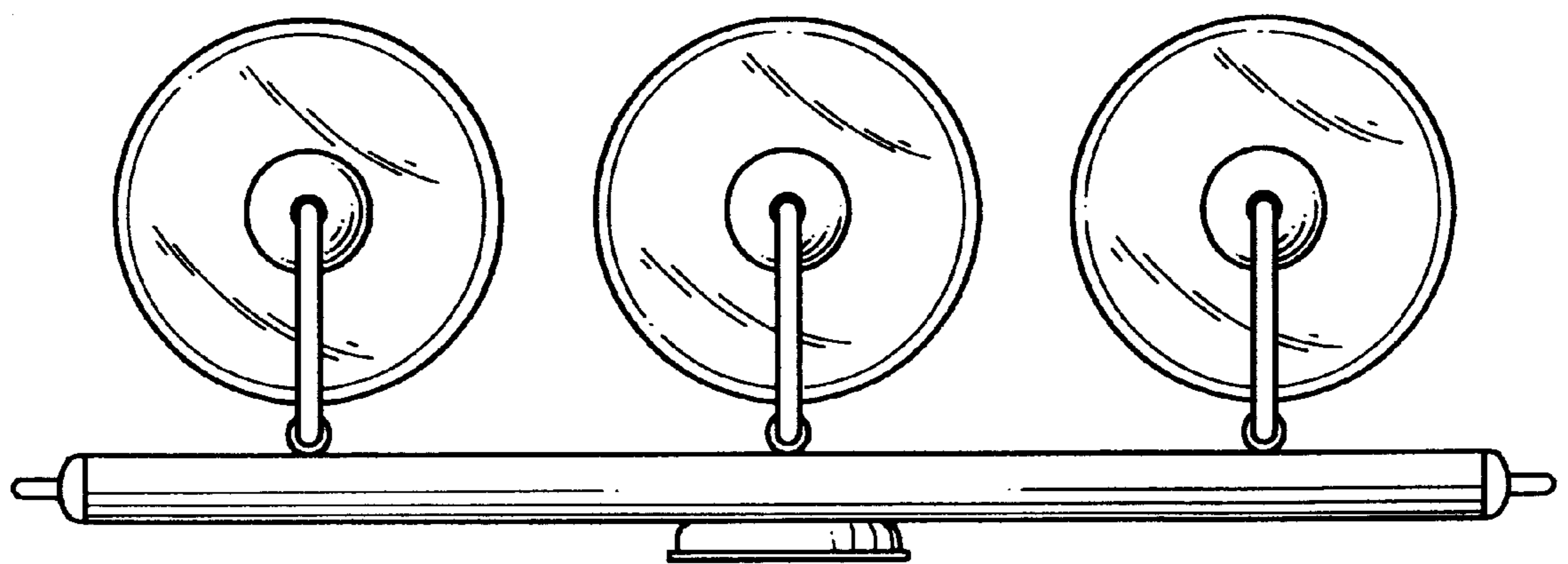


FIG. 7