



US00D440340S

(12) **United States Design Patent**
Tillman et al.

(10) **Patent No.:** **US D440,340 S**

(45) **Date of Patent:** **** Apr. 10, 2001**

(54) **LIGHT FIXTURE**

(75) **Inventors:** **Thomas Shea Tillman**, Columbus, OH (US); **Noel Anthony Collver**, Americus, GA (US)

(73) **Assignee:** **Cooper Technologies Company**, Houston, TX (US)

(**) **Term:** **14 Years**

(21) **Appl. No.:** **29/114,234**

(22) **Filed:** **Nov. 22, 1999**

(51) **LOC (7) Cl.** **26-05**

(52) **U.S. Cl.** **D26/76**

(58) **Field of Search** D26/75-78; 362/217, 362/218, 219, 220, 222, 223, 225, 342, 249, 362

(56) **References Cited**

U.S. PATENT DOCUMENTS

D. 123,757 * 12/1940 Dreyfuss D26/76

D. 135,093 * 2/1943 Biller D26/75
2,606,998 * 8/1952 Winkler et al. D26/77 X
5,117,342 * 5/1992 Vlah 362/217

* cited by examiner

Primary Examiner—Susan J. Lucas

(74) *Attorney, Agent, or Firm*—Fish & Richardson P.C.

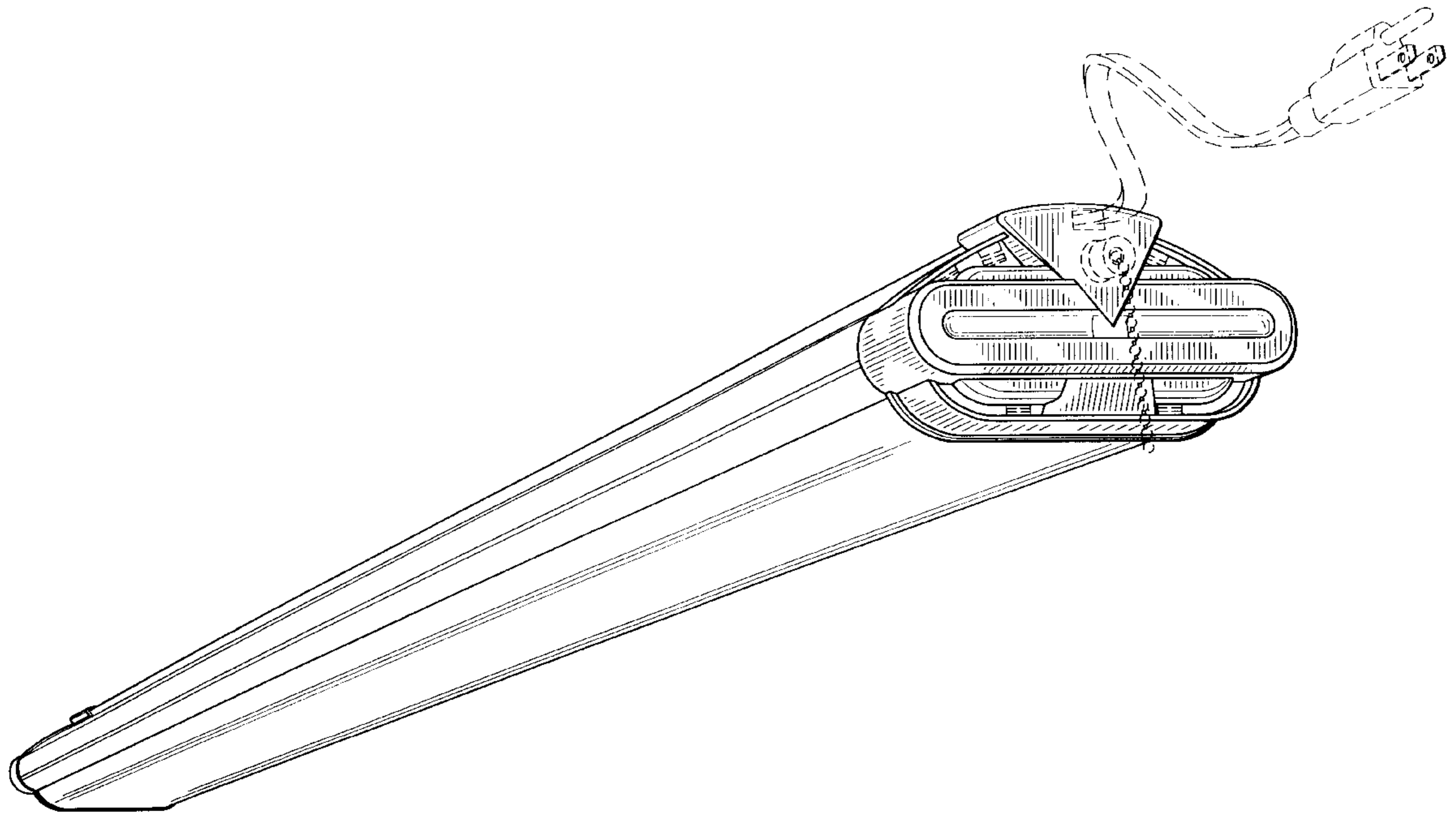
(57) **CLAIM**

The ornamental design for a light fixture, as shown and described.

DESCRIPTION

FIG. 1 is a perspective view of a light fixture showing a first embodiment of our new design;
FIG. 2 is a side elevation view thereof;
FIG. 3 is a side elevation view thereof, opposite that shown in FIG. 2;
FIG. 4 is a front elevation view thereof;
FIG. 5 is a rear elevation view thereof;
FIG. 6 is a top plan view thereof; and,
FIG. 7 is a bottom plan view thereof.

1 Claim, 6 Drawing Sheets



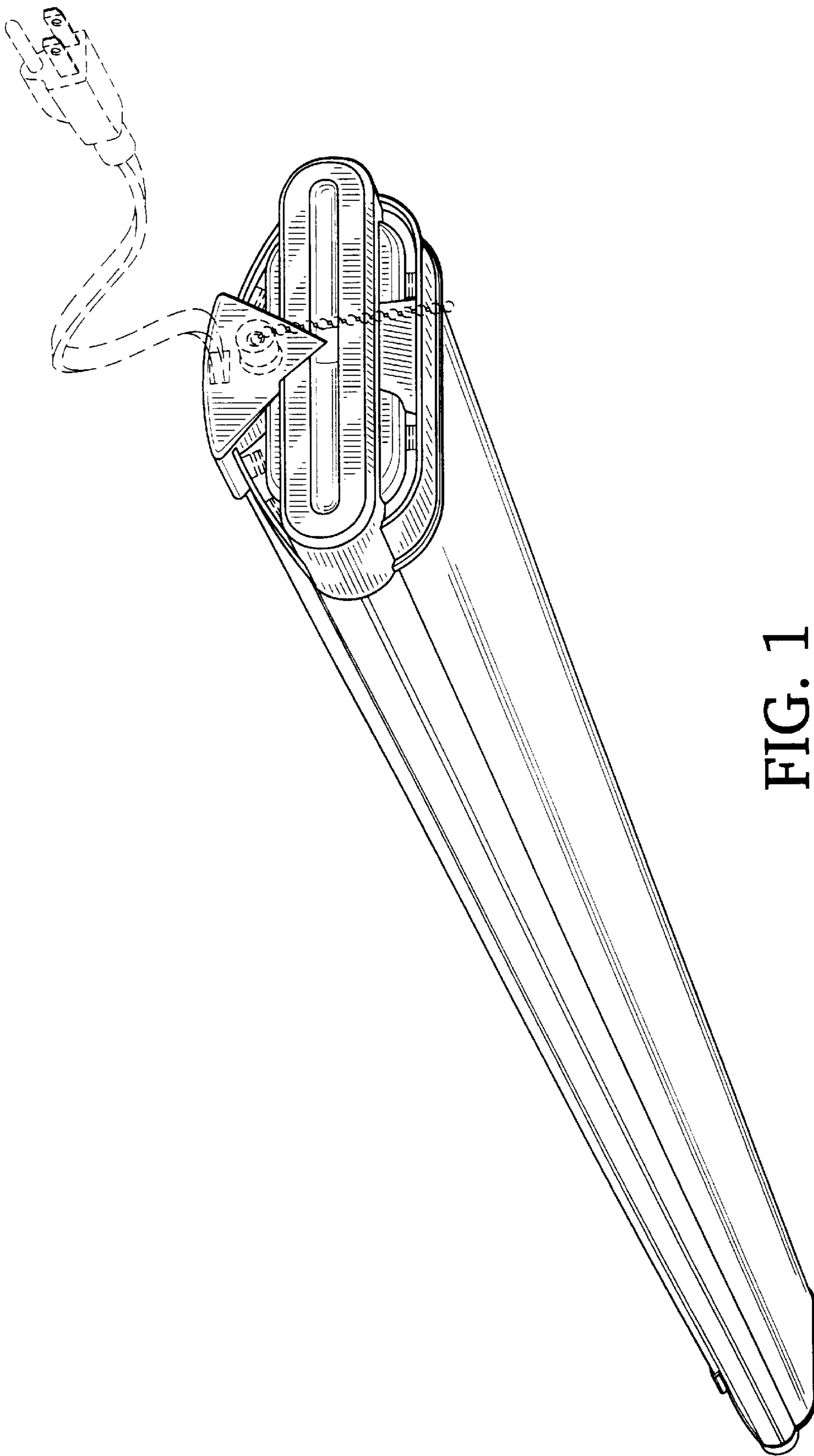


FIG. 1

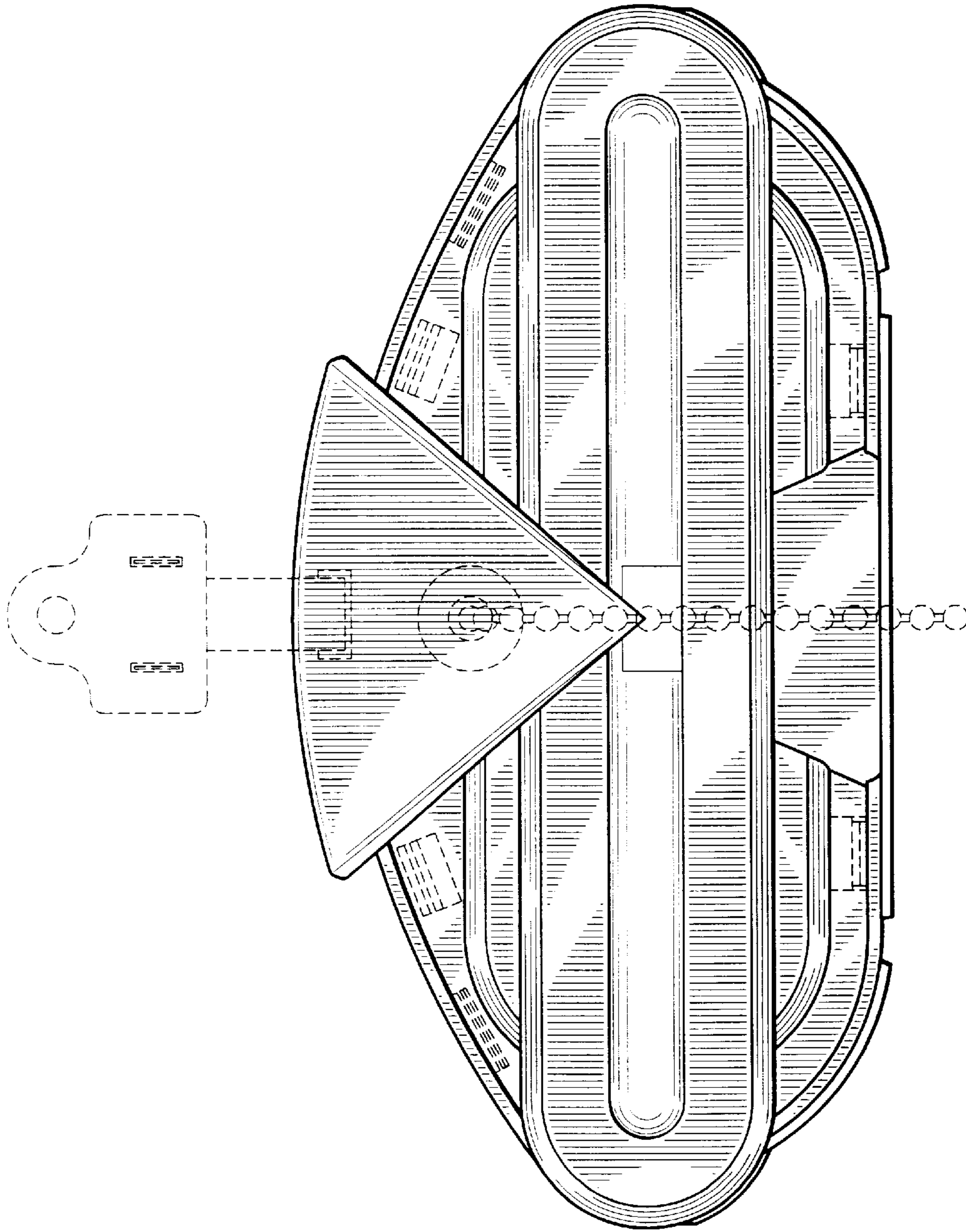


FIG. 2

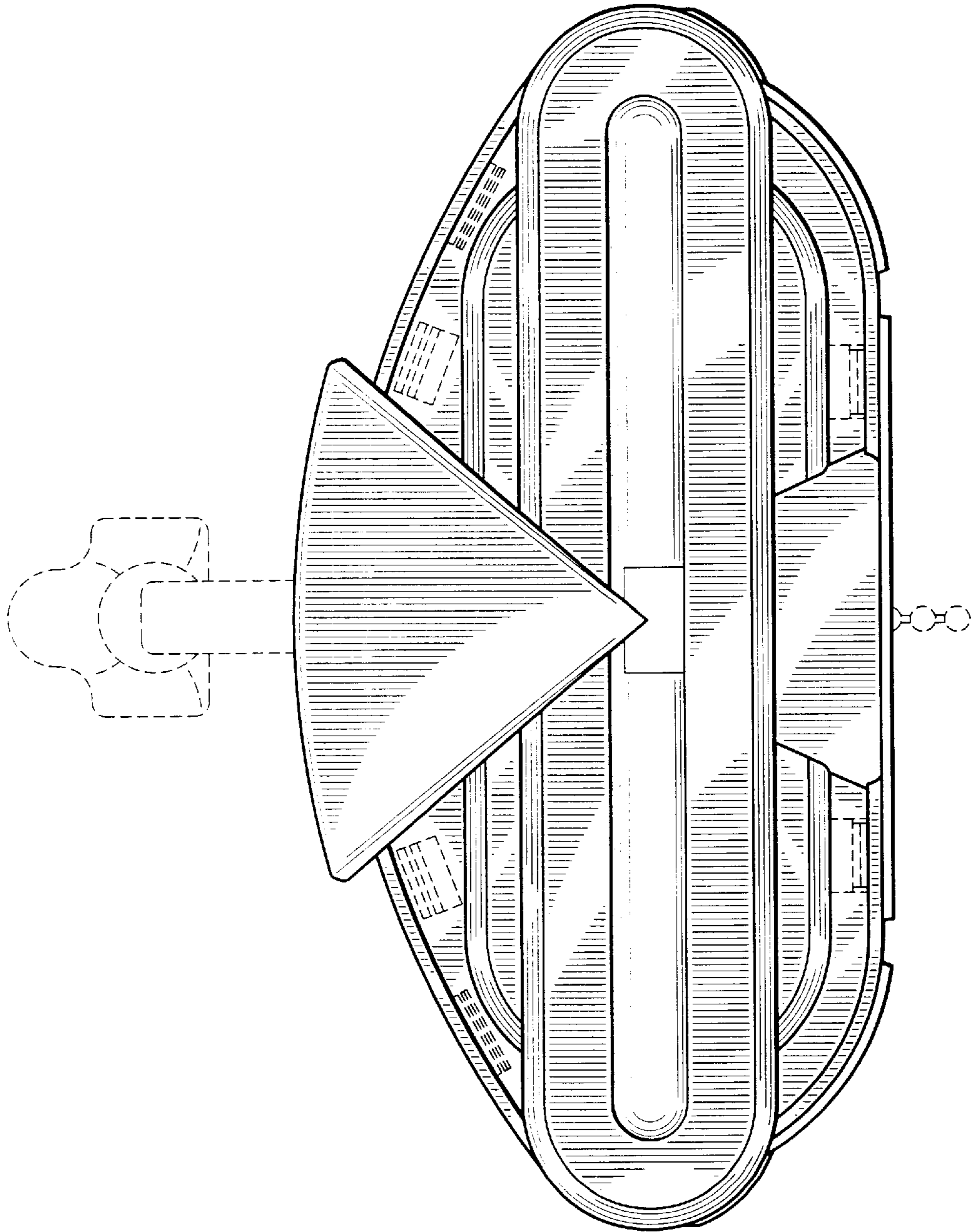


FIG. 3

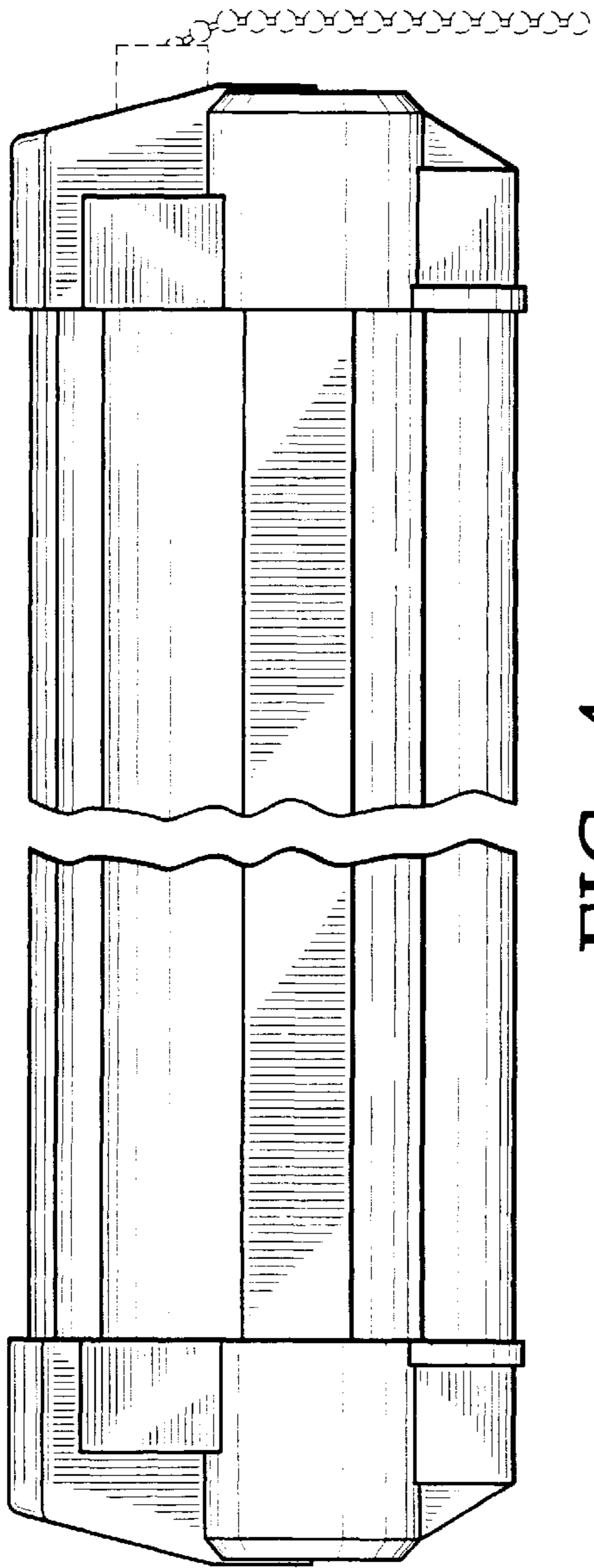


FIG. 4

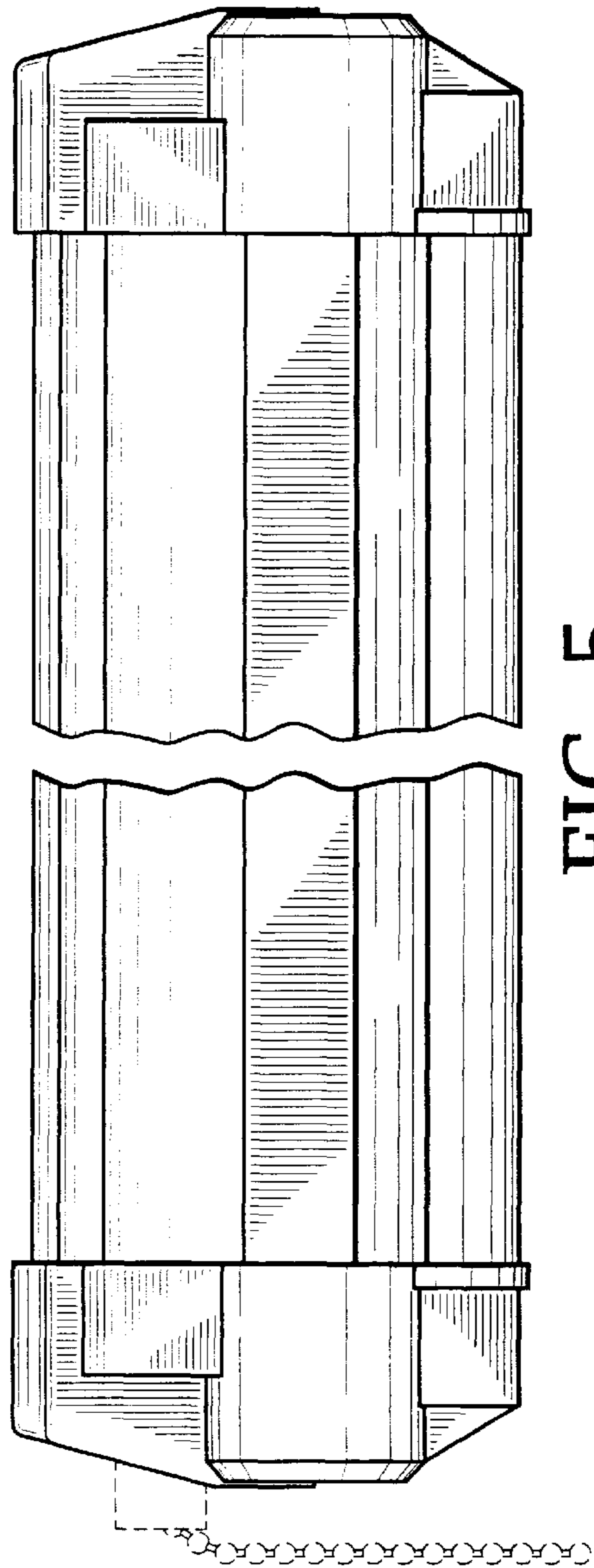


FIG. 5

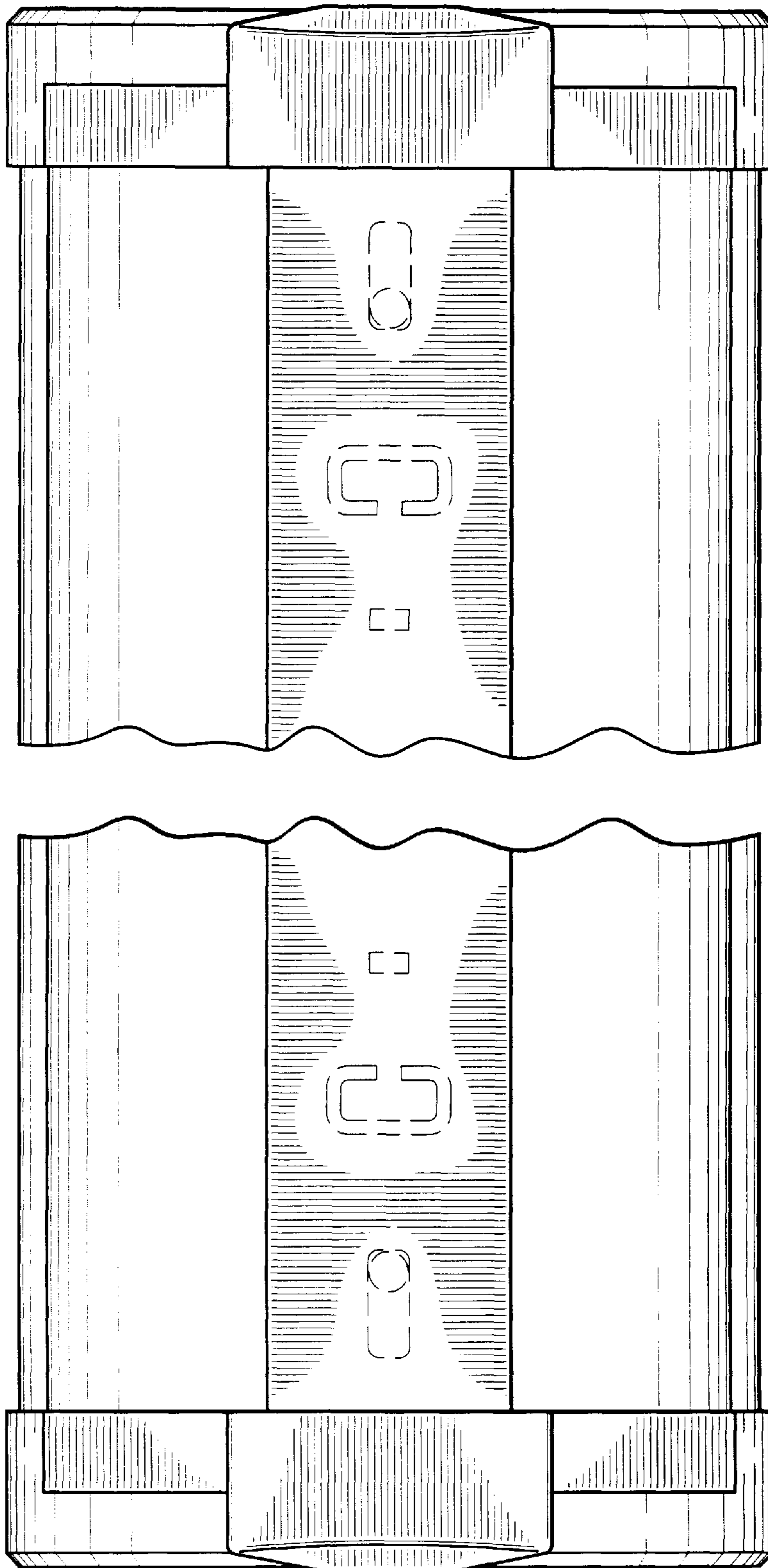


FIG. 6

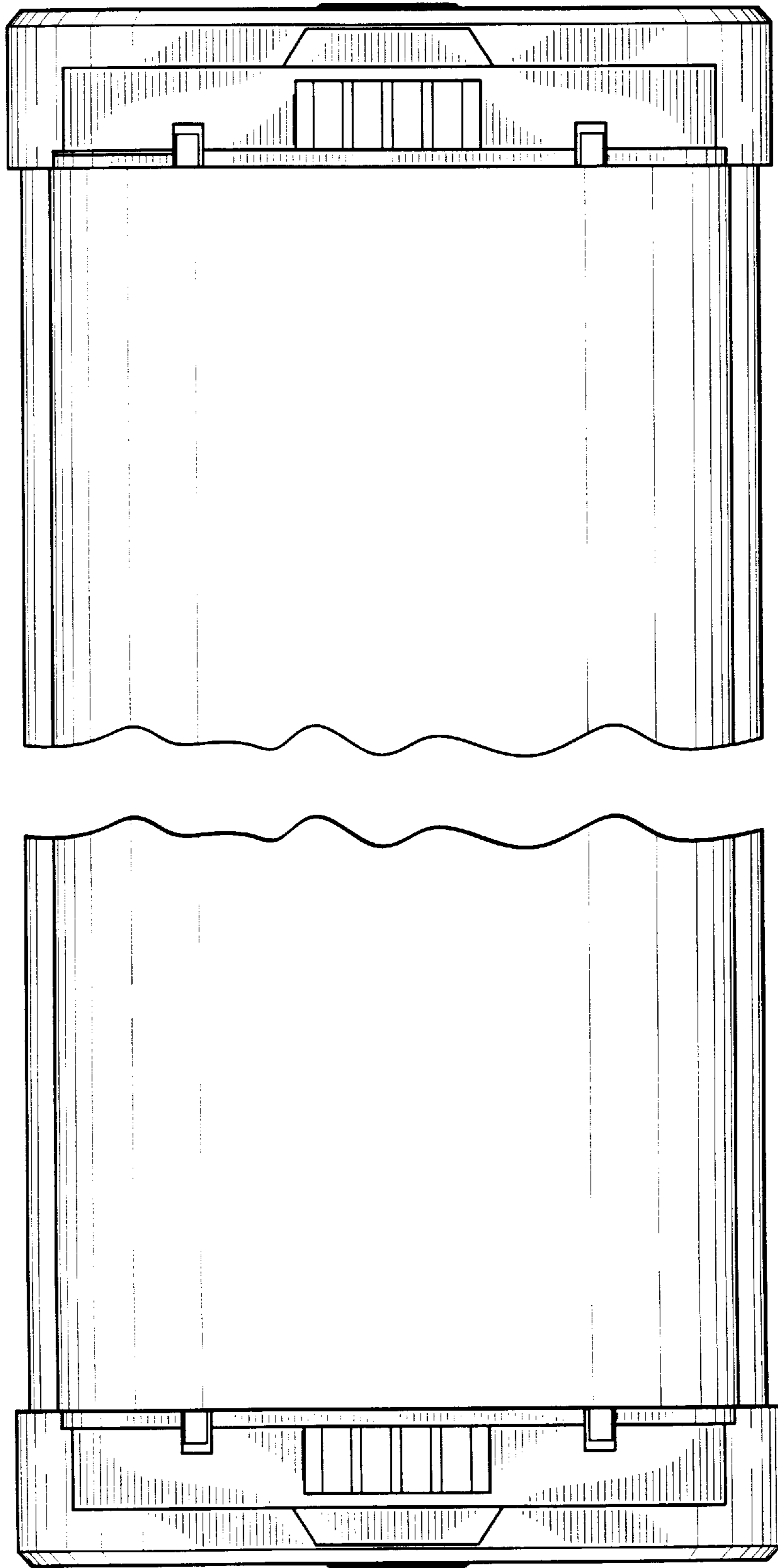


FIG. 7