



US00D440338S

(12) **United States Design Patent**
Austin

(10) **Patent No.:** **US D440,338 S**

(45) **Date of Patent:** **** Apr. 10, 2001**

(54) **FLOODLIGHT**

(75) Inventor: **Kelvin John Austin**, Woodthorpe (GB)

(73) Assignee: **Abacus Holdings Limited** (GB)

(**) Term: **14 Years**

(21) Appl. No.: **29/119,807**

(22) Filed: **Mar. 7, 2000**

(30) **Foreign Application Priority Data**

Sep. 7, 1999 (GB) 2086397

(51) **LOC (7) Cl.** **26-05**

(52) **U.S. Cl.** **D26/63**

(58) **Field of Search** D26/61-66; 362/418,
362/419, 427, 428, 269, 271, 272, 276,
277, 278, 279

(56) **References Cited**

U.S. PATENT DOCUMENTS

D. 417,024 * 11/1999 Stuyfzand D26/63

OTHER PUBLICATIONS

General Electric Hid Exterior lighting catalog, 1985, single page, Powr-Spot® floodlight # GEA-9975.*

* cited by examiner

Primary Examiner—Susan J. Lucas

(74) *Attorney, Agent, or Firm*—Young & Basile, P.C.

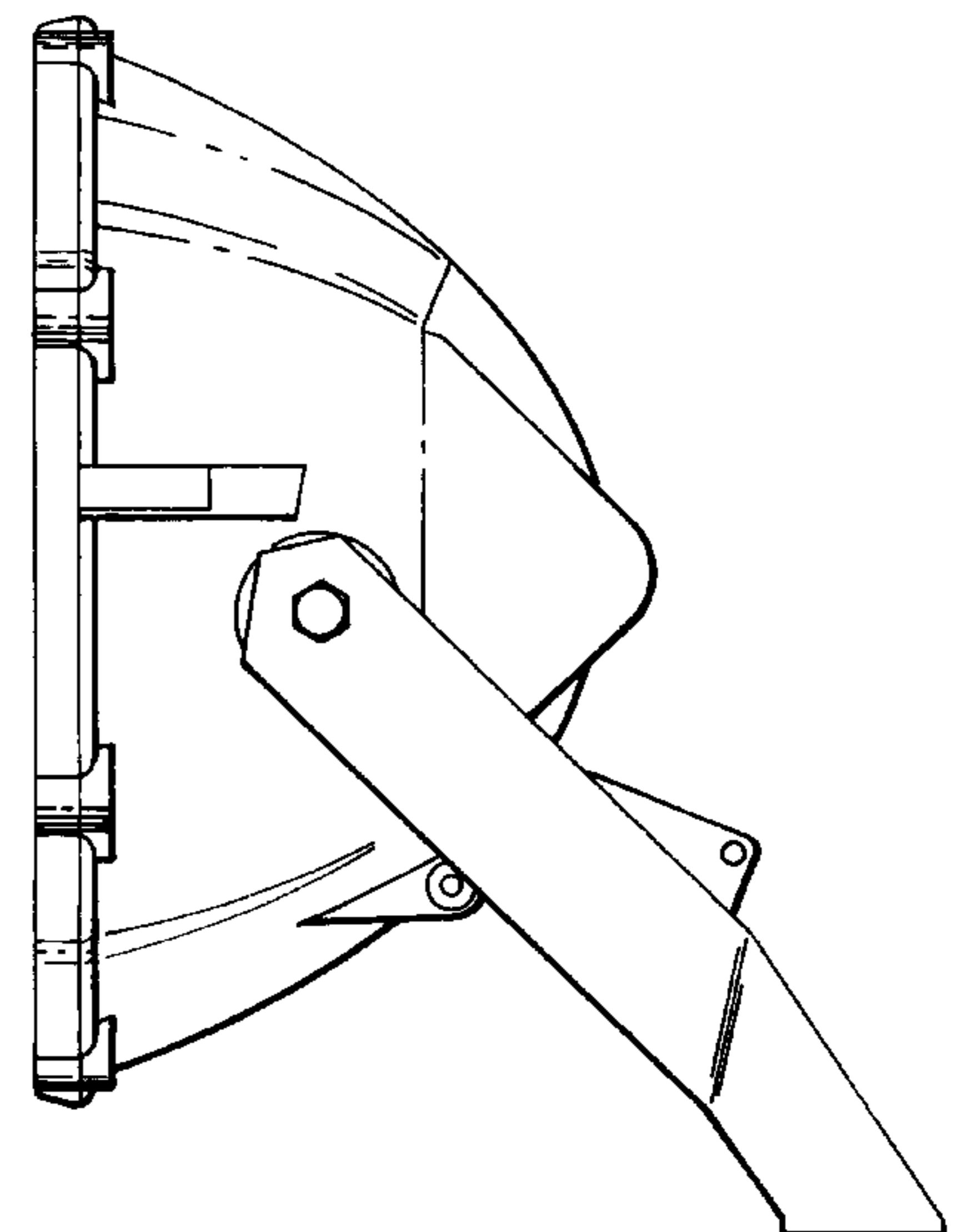
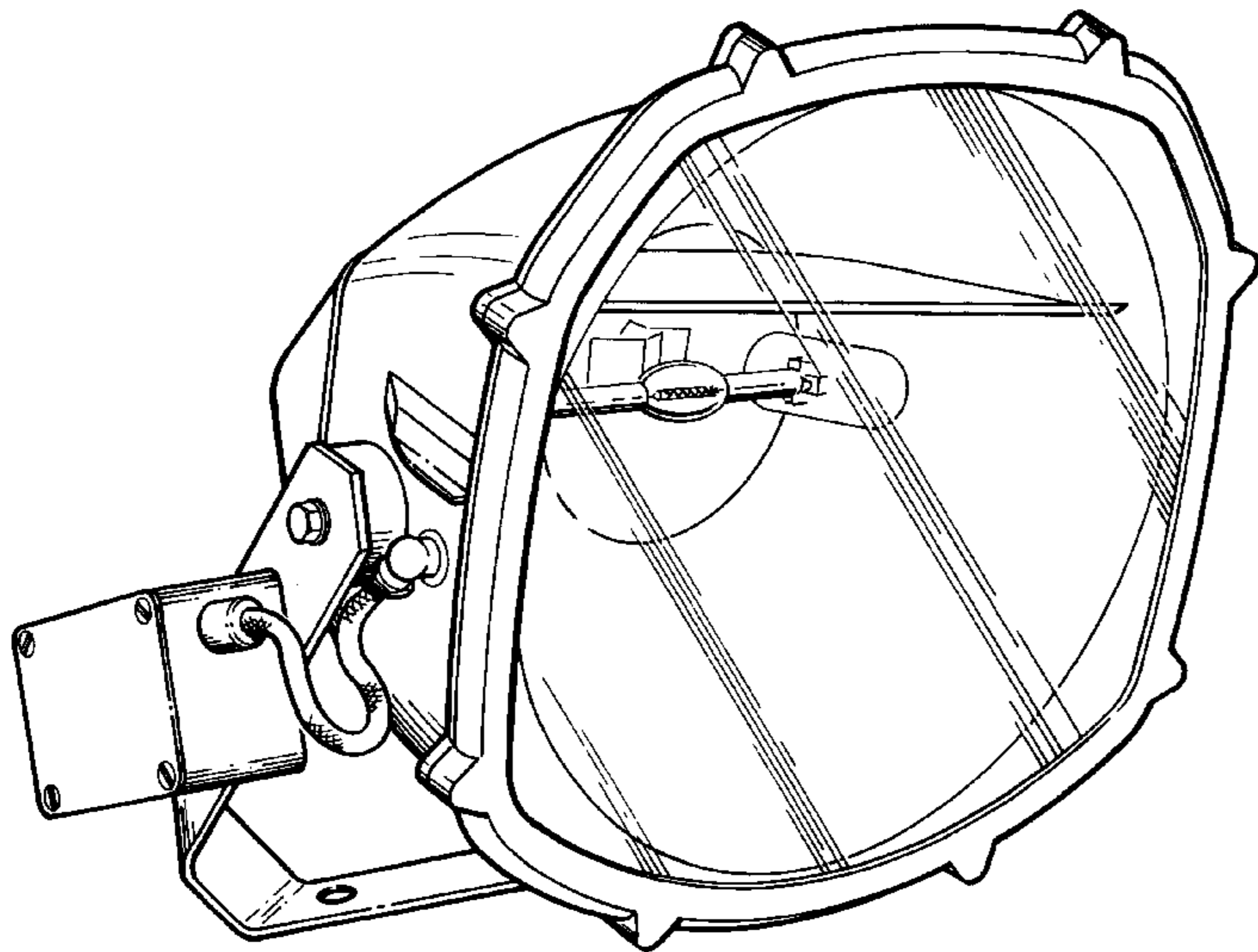
(57) **CLAIM**

The ornamental design for a floodlight, as shown and described.

DESCRIPTION

FIG. 1 is a perspective view of the floodlight embodying the ornamental design constituting my invention; FIG. 2 is a front elevational view thereof; FIG. 3 is a rear elevational view thereof; FIG. 4 is a top plan view thereof; FIG. 5 is a bottom plan view thereof; and, FIG. 6 is a right side elevational view thereof.

1 Claim, 6 Drawing Sheets



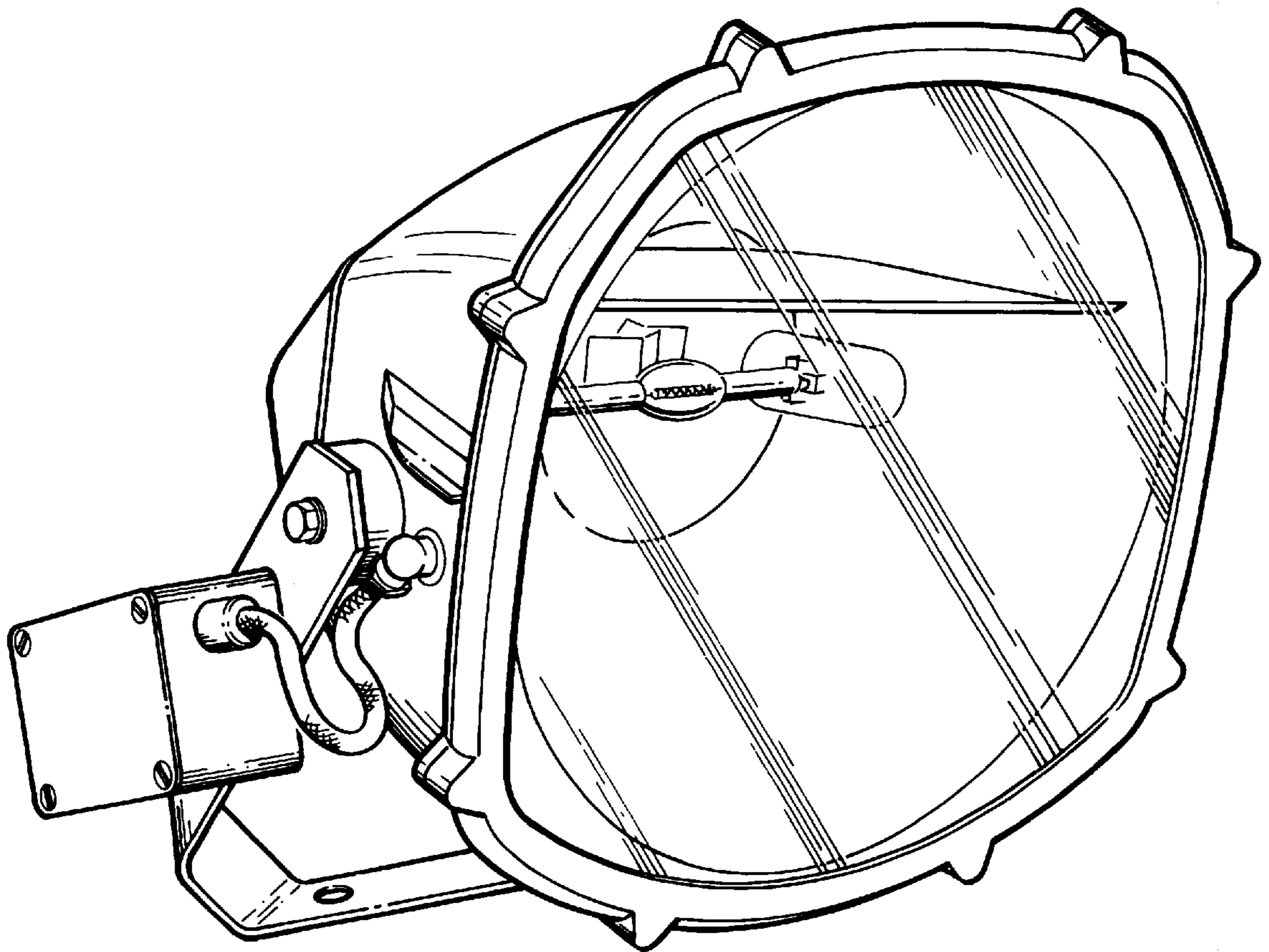


Fig. 1

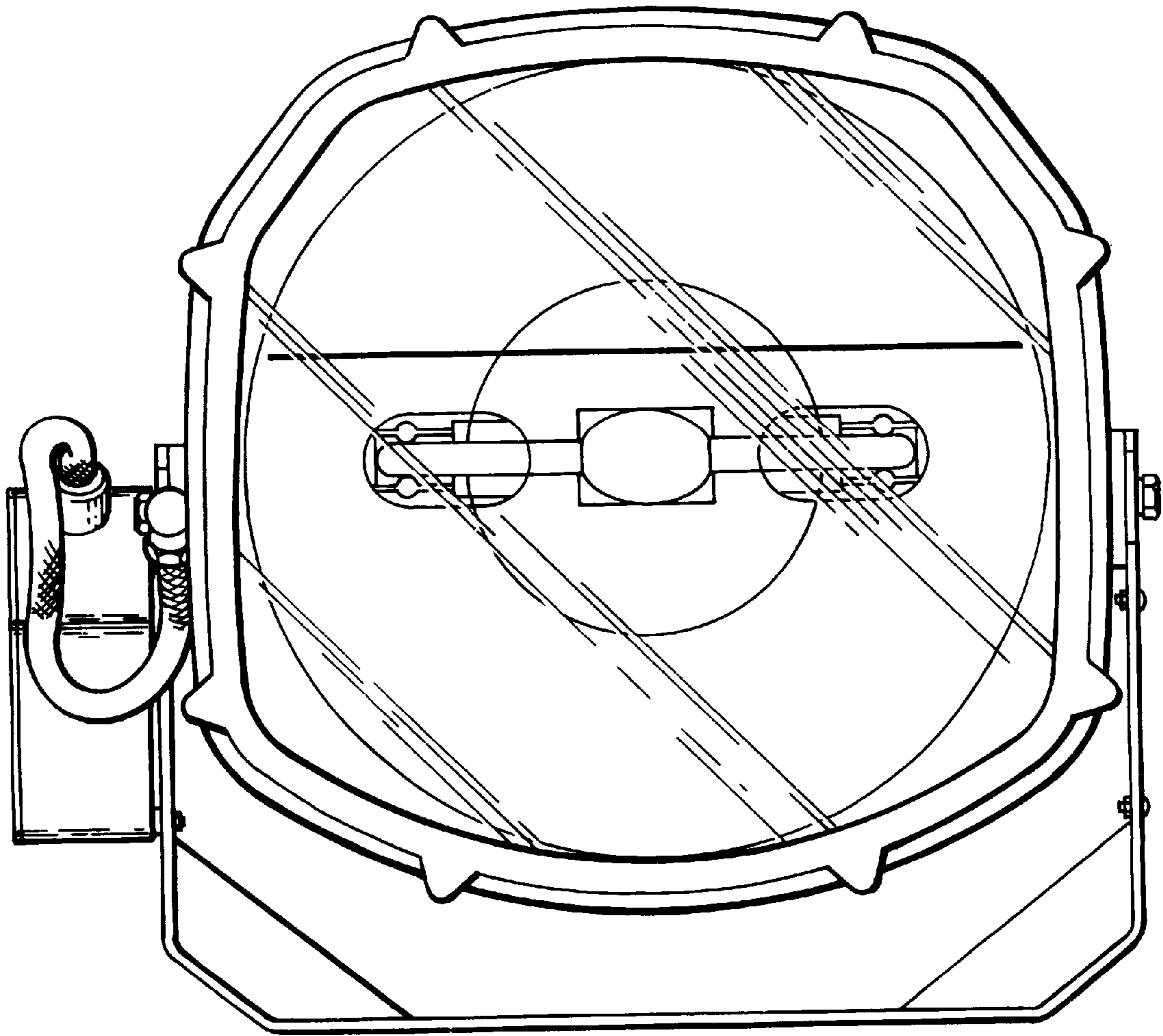


Fig.2

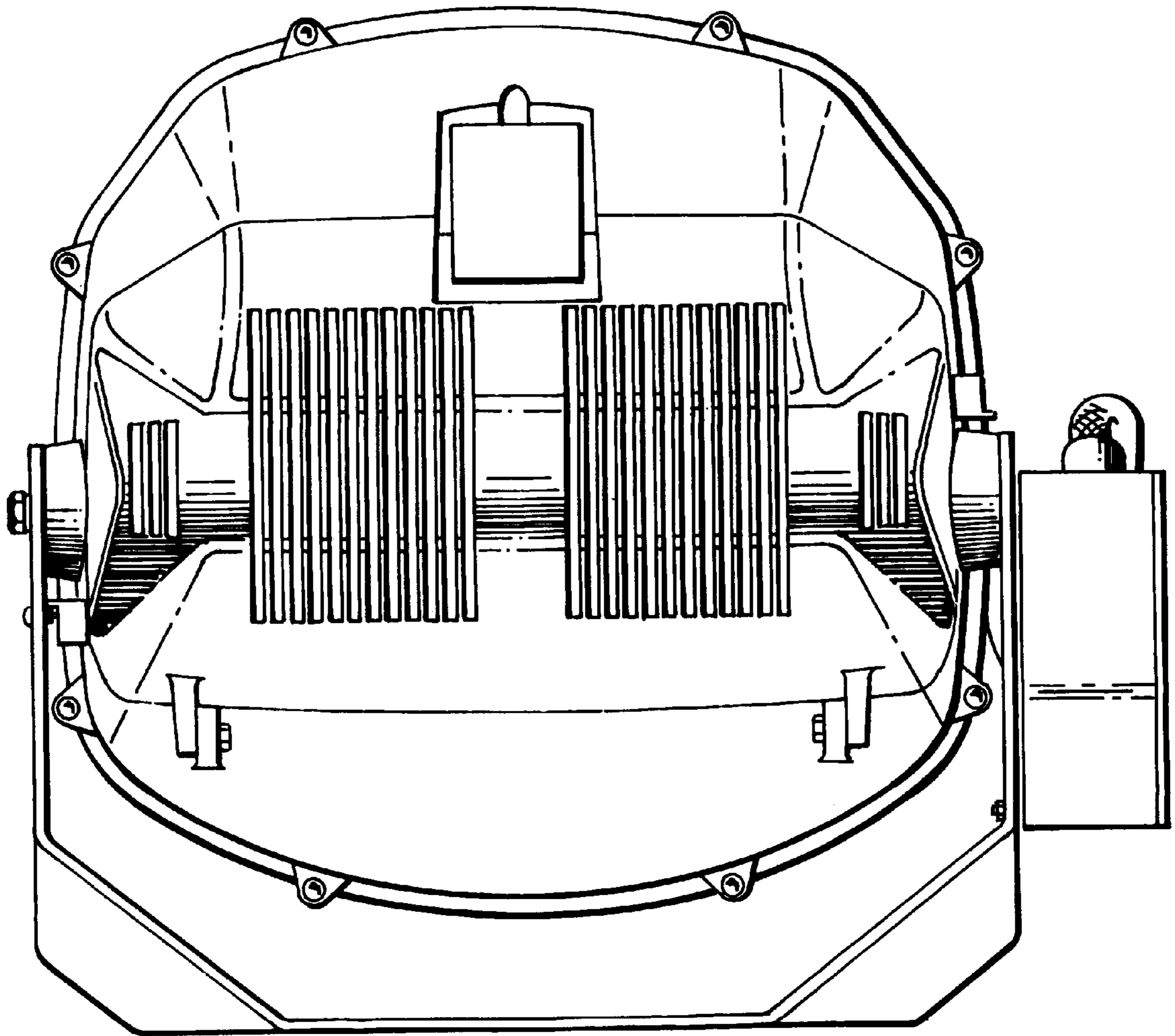


Fig.3

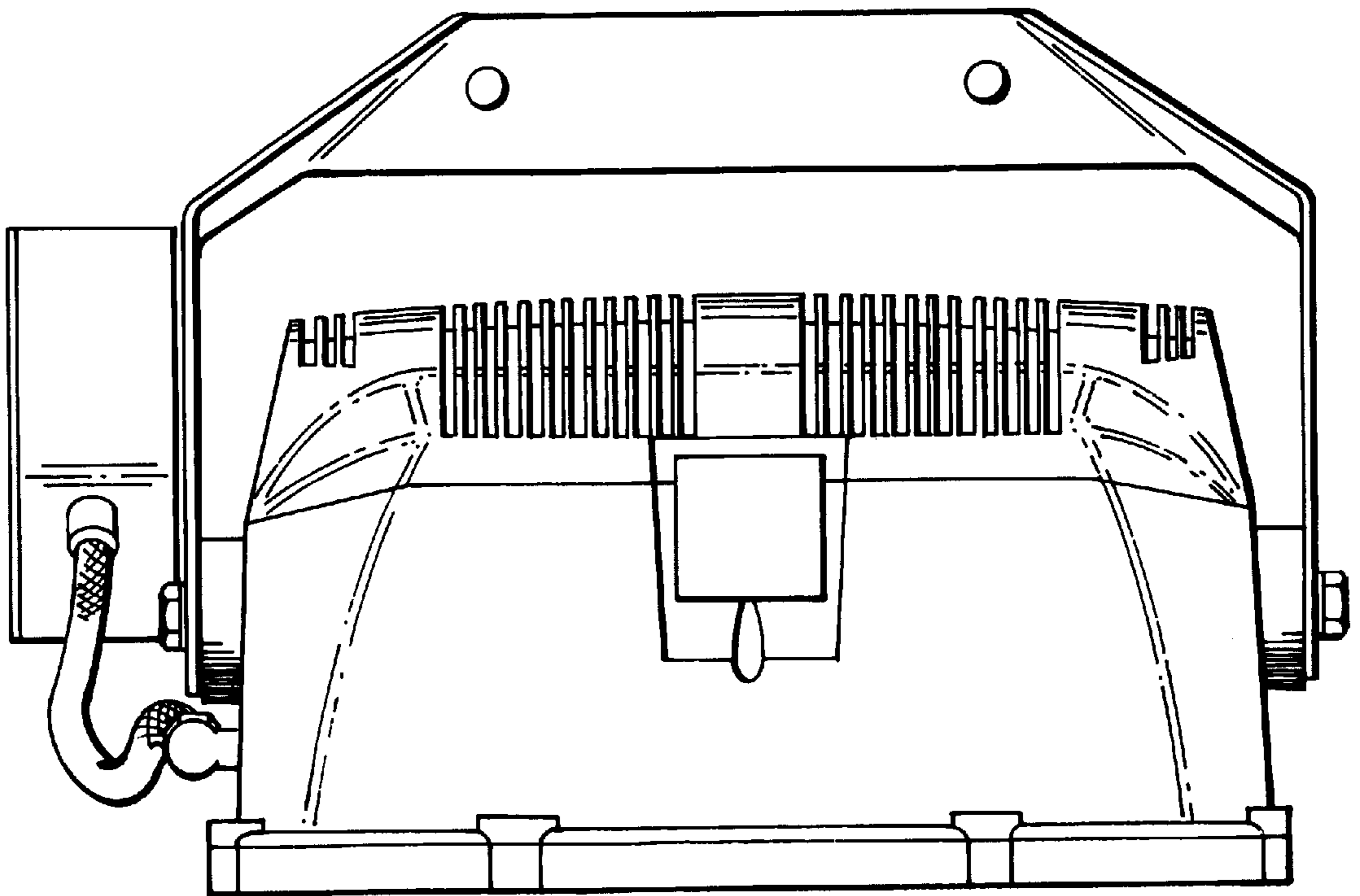


Fig.4

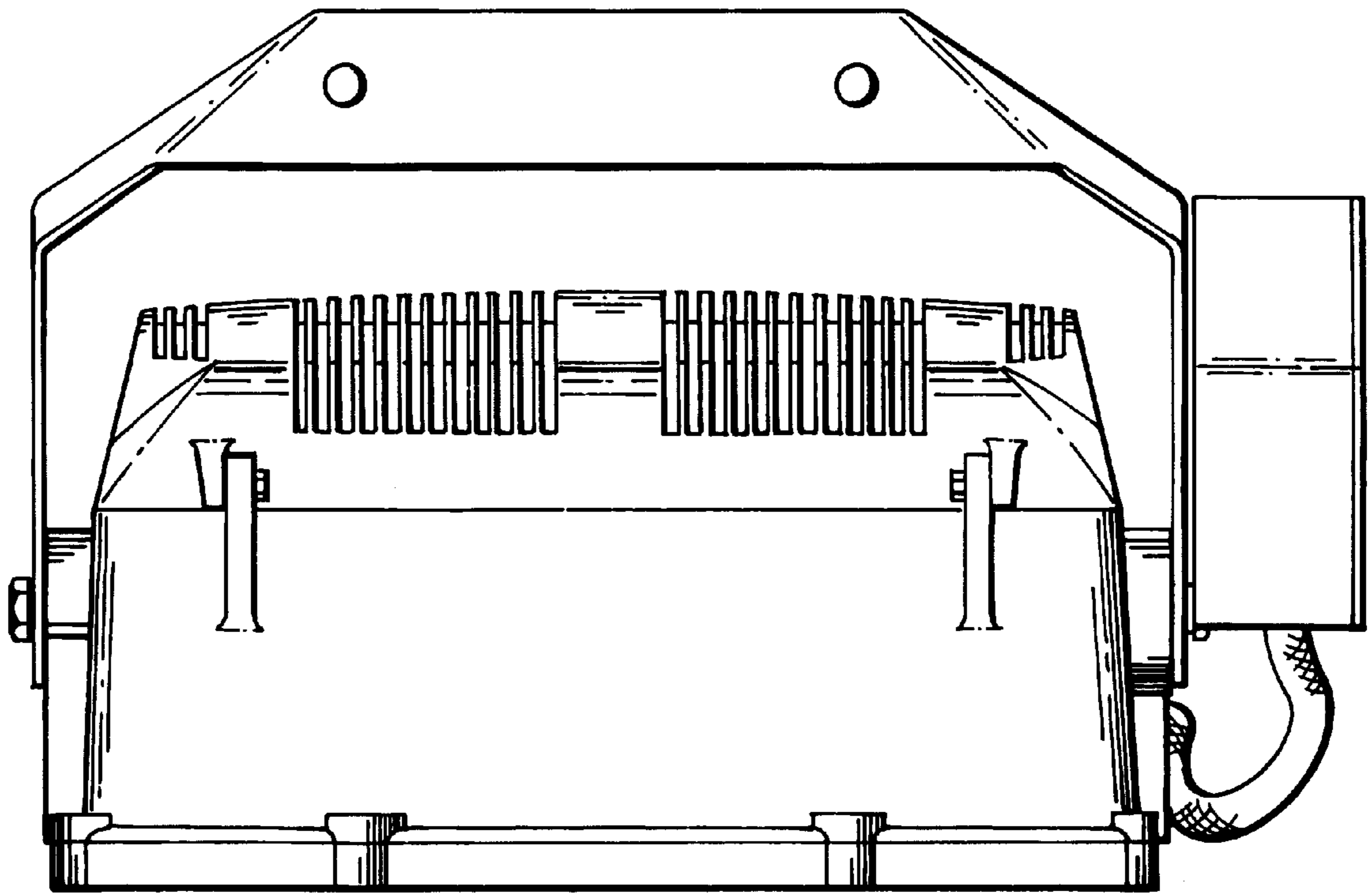


Fig.5

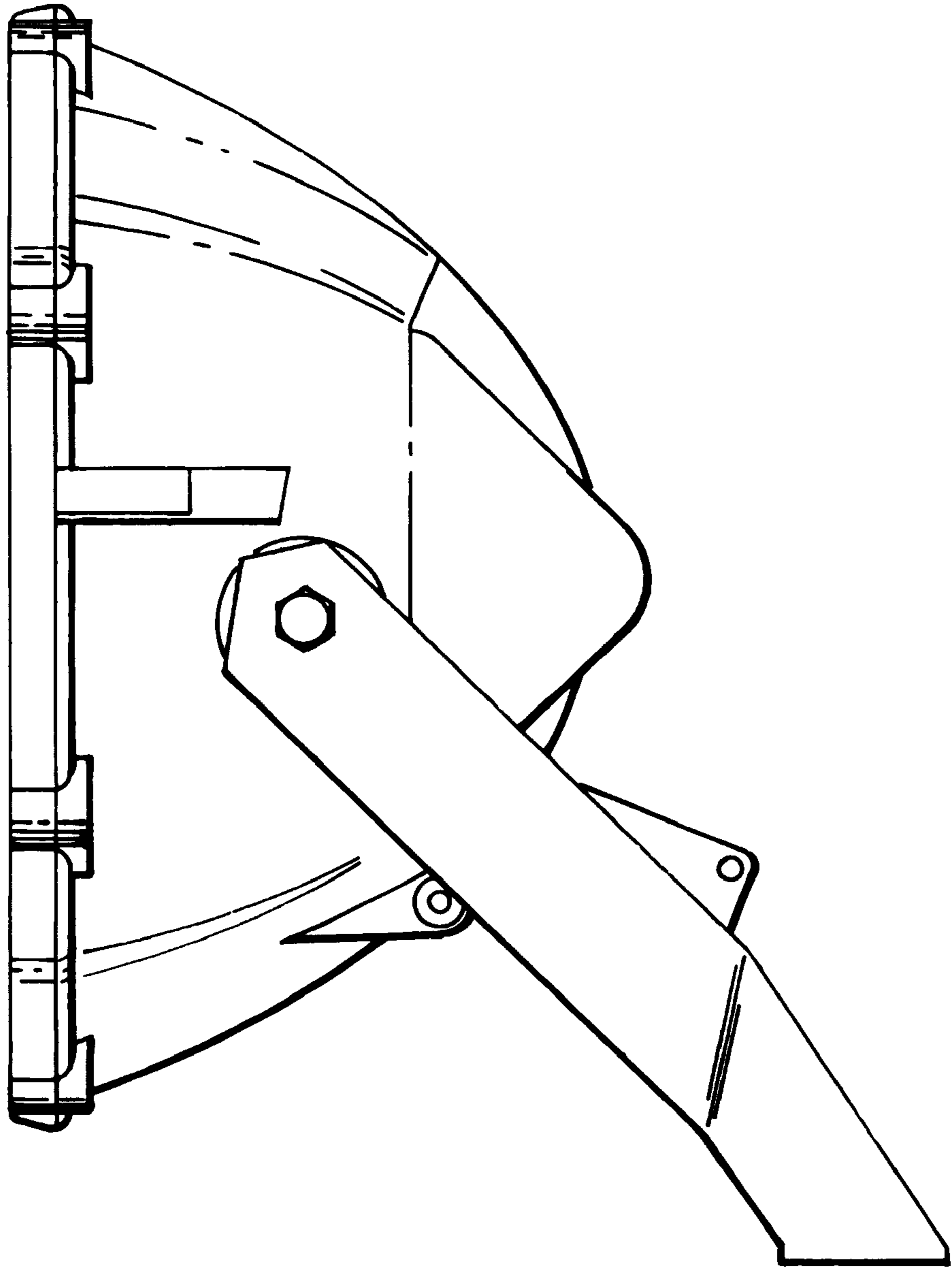


Fig. 6