



US00D440337S

(12) **United States Design Patent**  
**Fiorato**

(10) **Patent No.:** **US D440,337 S**

(45) **Date of Patent:** **\*\* Apr. 10, 2001**

(54) **LUMINAIRE**

(57) **CLAIM**

(76) Inventor: **Roberto Fiorato**, Viale del Lavoro,  
9/11, Colognola Ai Colli (IT)

The ornamental design for a luminaire, as shown and described.

(\*\*) Term: **14 Years**

**DESCRIPTION**

(21) Appl. No.: **29/108,414**

FIG. 1 is a sideelevational view of a luminaire showing my new design;

(22) Filed: **Jul. 28, 1999**

FIG. 2 is a side elevational view thereof, with the opaque shield in alternate position;

(51) **LOC (7) Cl.** ..... **26-05**

FIG. 3 is a side elevational view thereof, with the opaque shield in alternate position;

(52) **U.S. Cl.** ..... **D26/63**

FIG. 4 is a top plan view thereof;

(58) **Field of Search** ..... D26/63, 44, 93-112,  
D26/37; 362/410-414, 164, 167, 198, 222,  
277, 280, 282, 367, 375

FIG. 5 is a front elevational view thereof;

FIG. 6 is a rear elevational view thereof;

FIG. 7 is a bottom plan view thereof;

(56) **References Cited**

FIG. 8 is a front perspective view thereof, with the opaque shield in alternate position;

**U.S. PATENT DOCUMENTS**

FIG. 9 is a back perspective view thereof;

D. 250,970 \* 1/1979 McJunkin, Jr. et al. .... D26/109

FIG. 10 is a front perspective view thereof;

D. 331,987 \* 12/1992 Dieperink et al. .... D26/85

FIG. 11 is a front perspective view thereof, with the opaque shield in alternate position; and,

4,404,619 \* 9/1983 Ferguson ..... 362/222

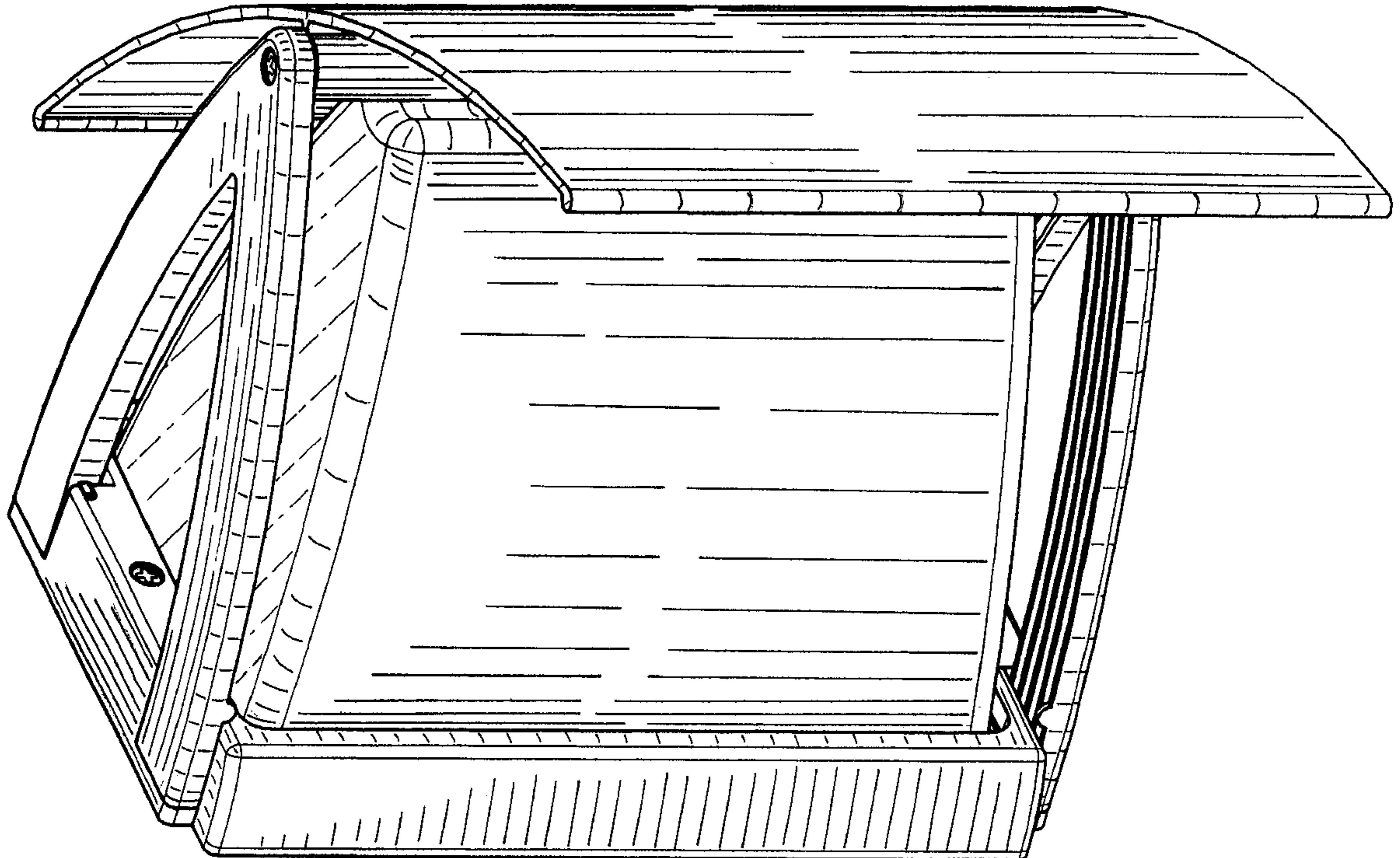
FIG. 12 is a rear perspective view thereof on a reduced scale, with the opaque shield in alternate position.

\* cited by examiner

*Primary Examiner*—Alan P. Douglas

*Assistant Examiner*—Linda Brooks

**1 Claim, 12 Drawing Sheets**



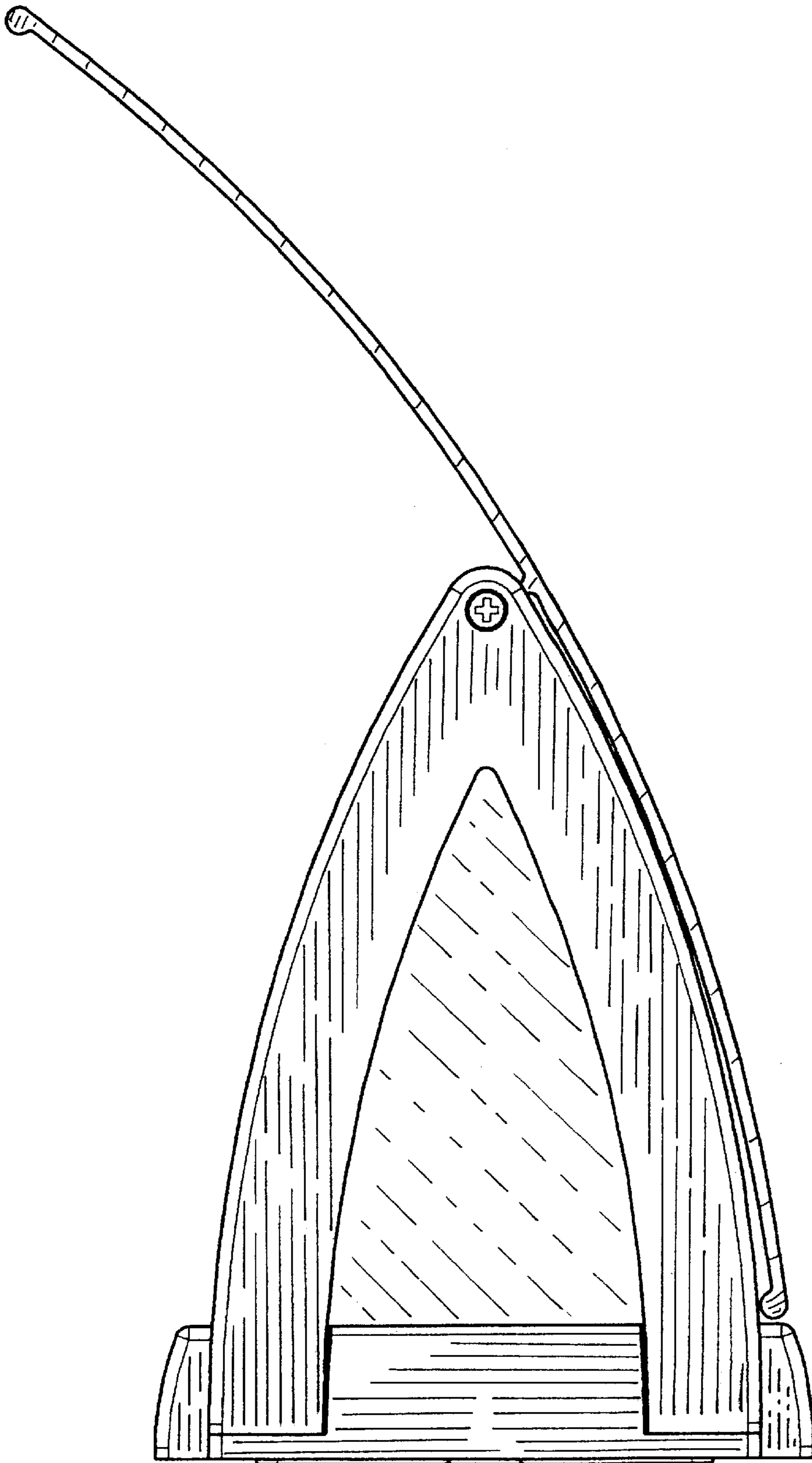


FIG. 1

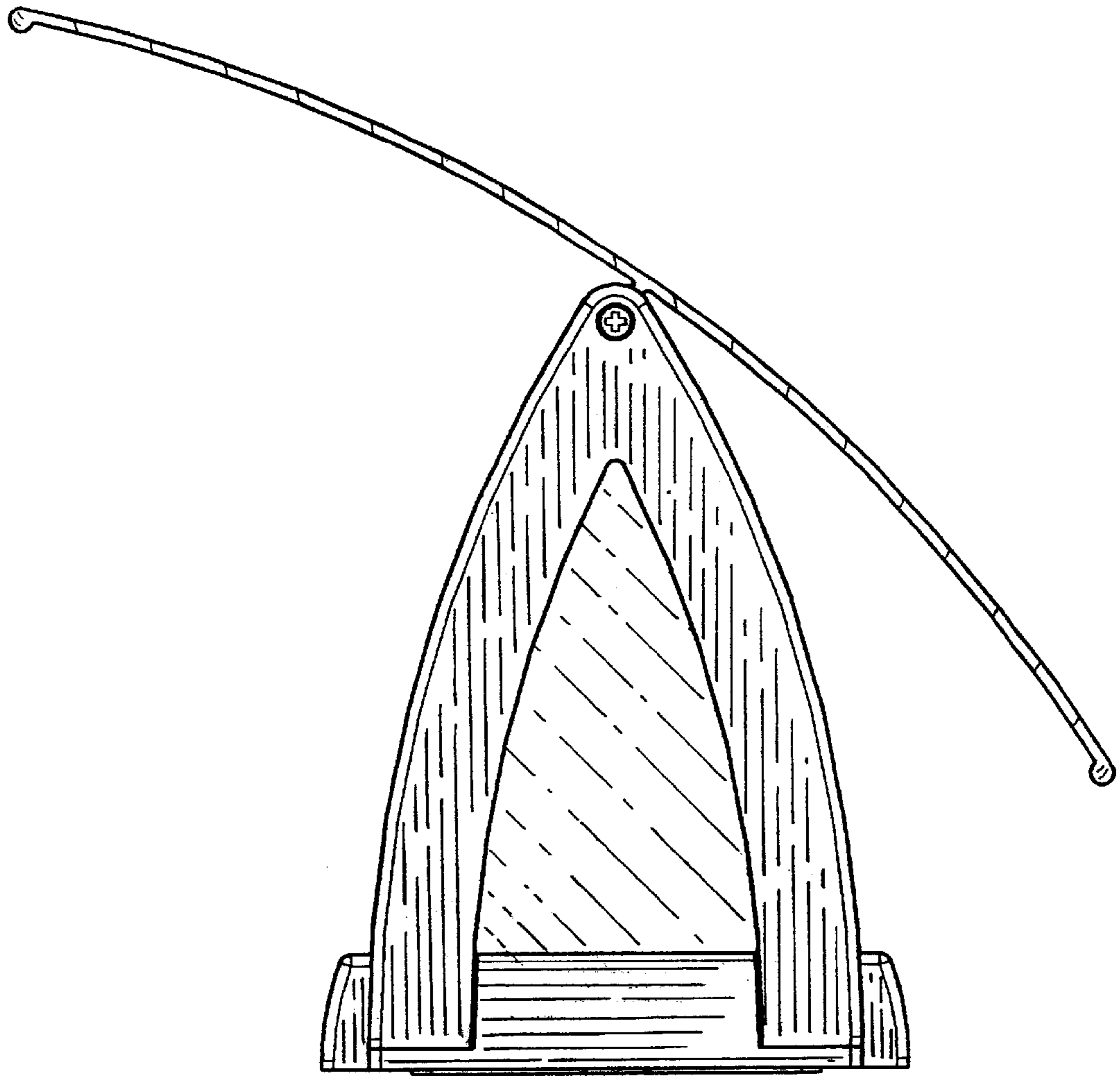


FIG. 2

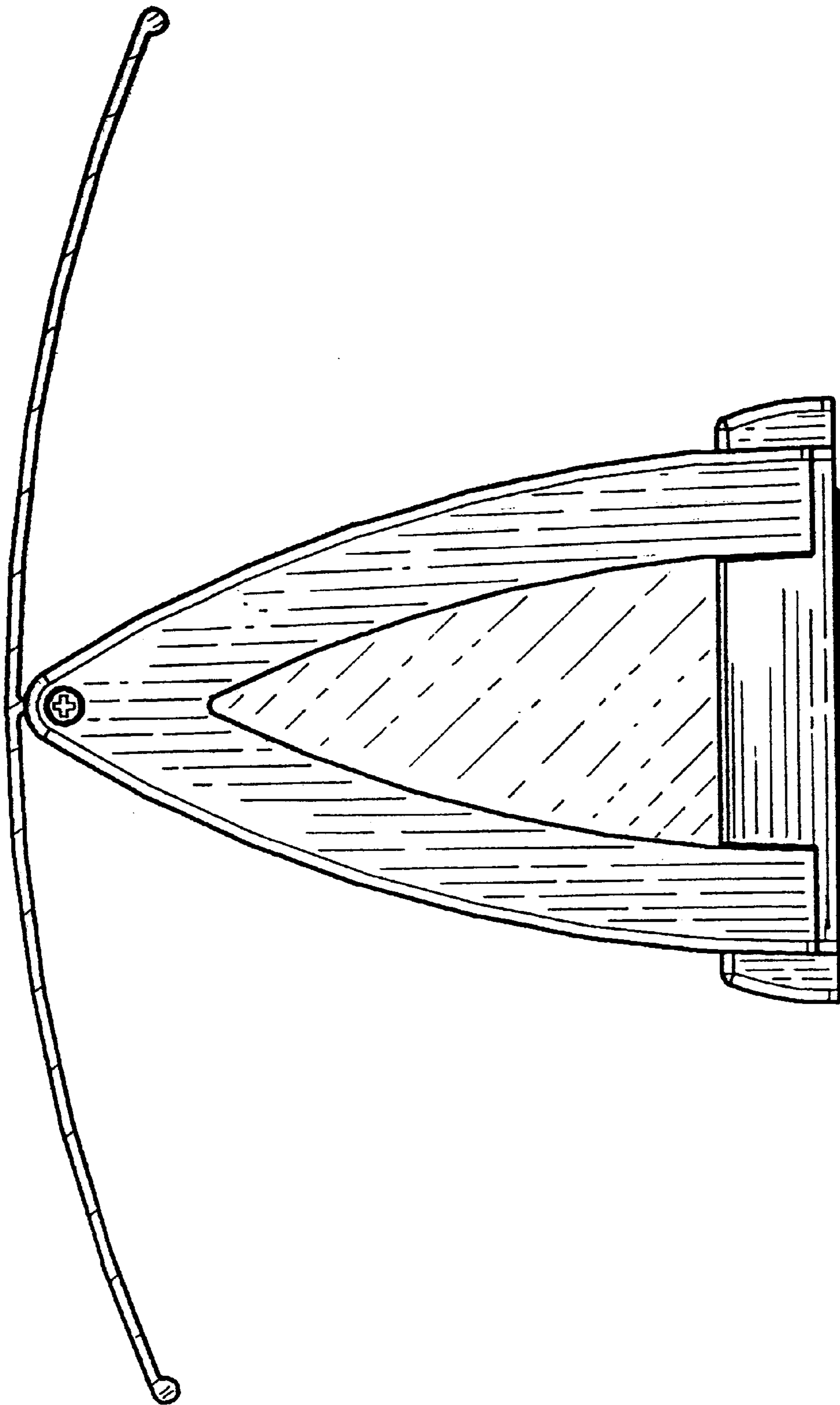


FIG. 3

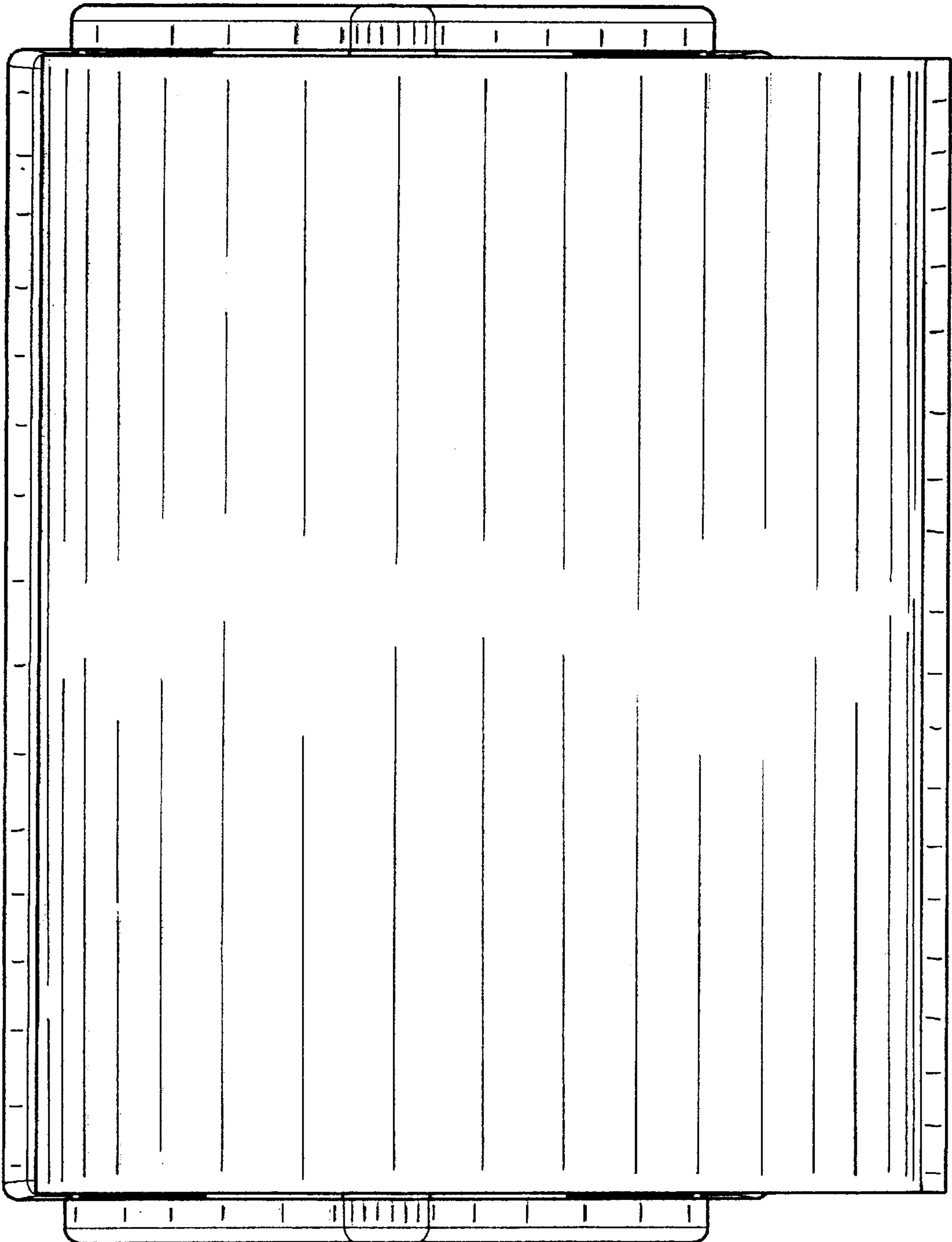


FIG. 4

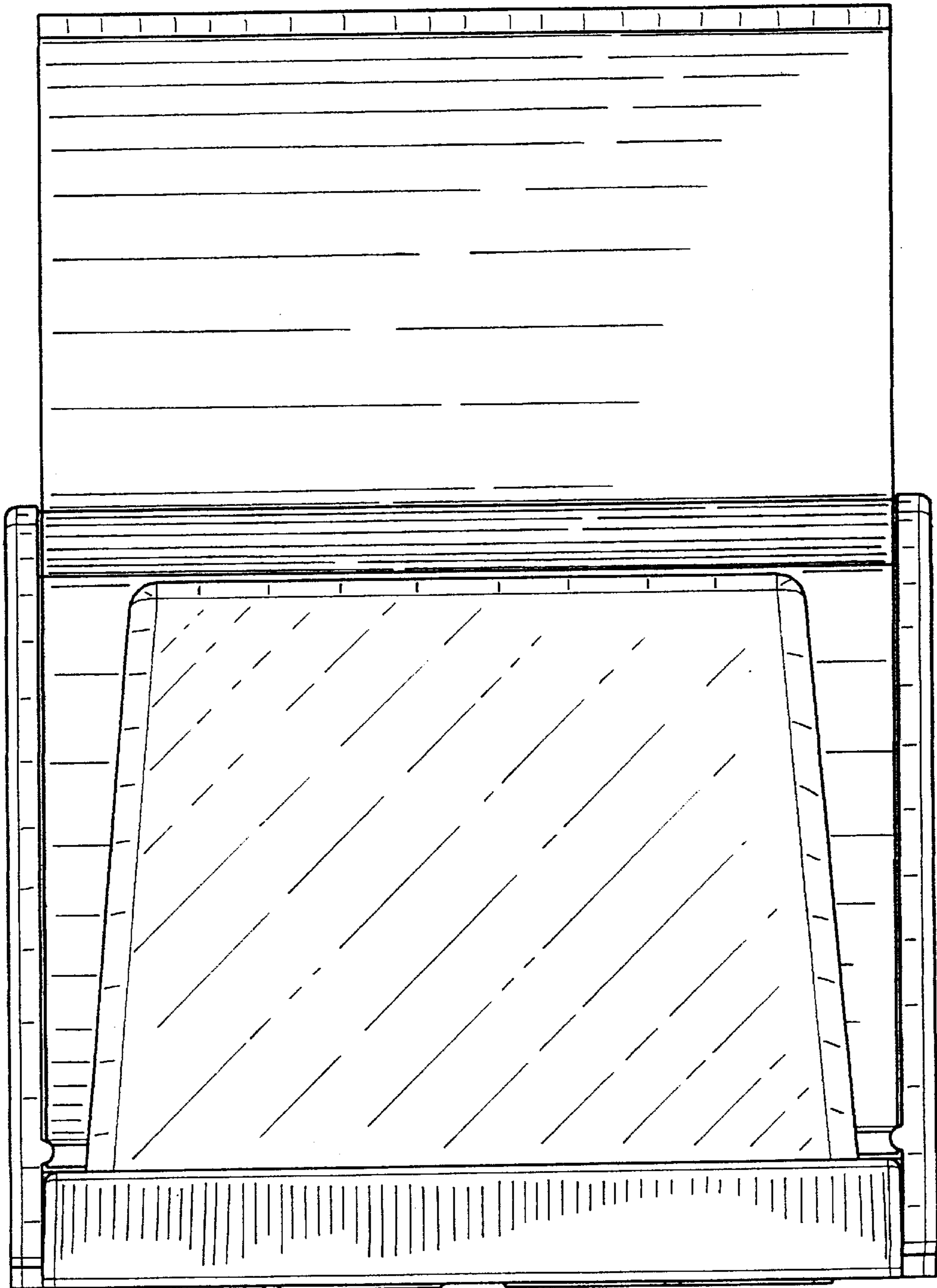


FIG. 5

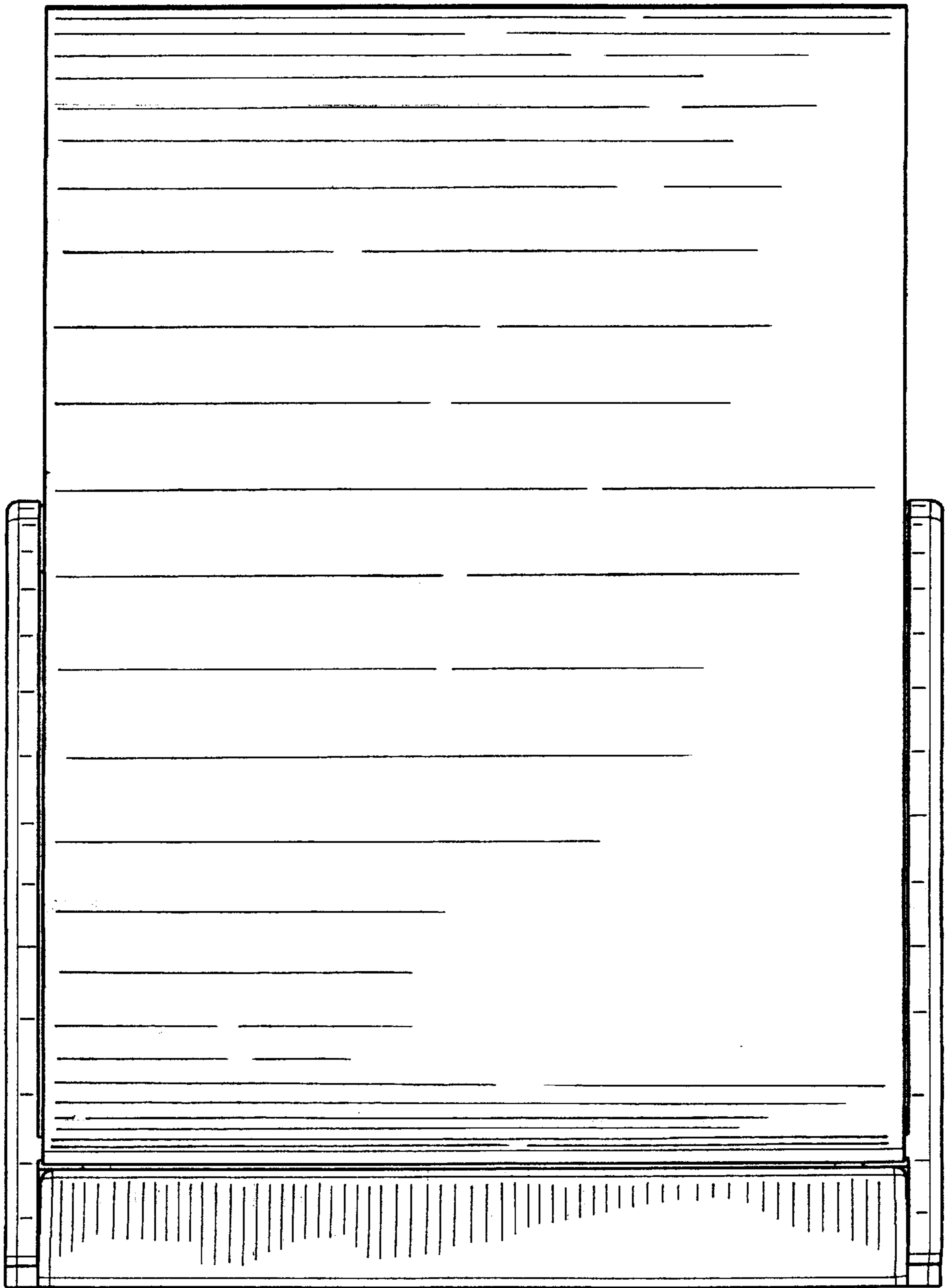


FIG. 6

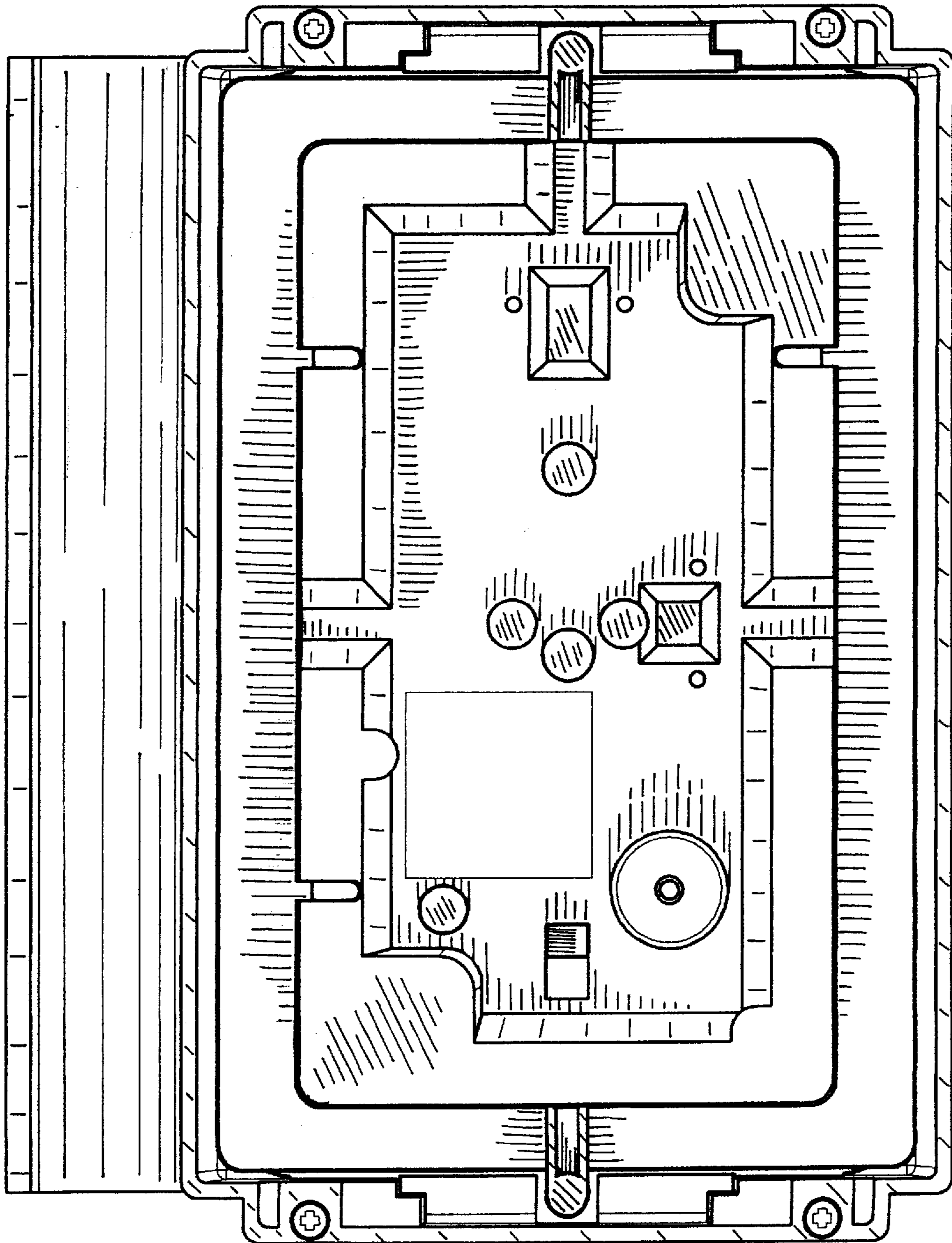


FIG. 7



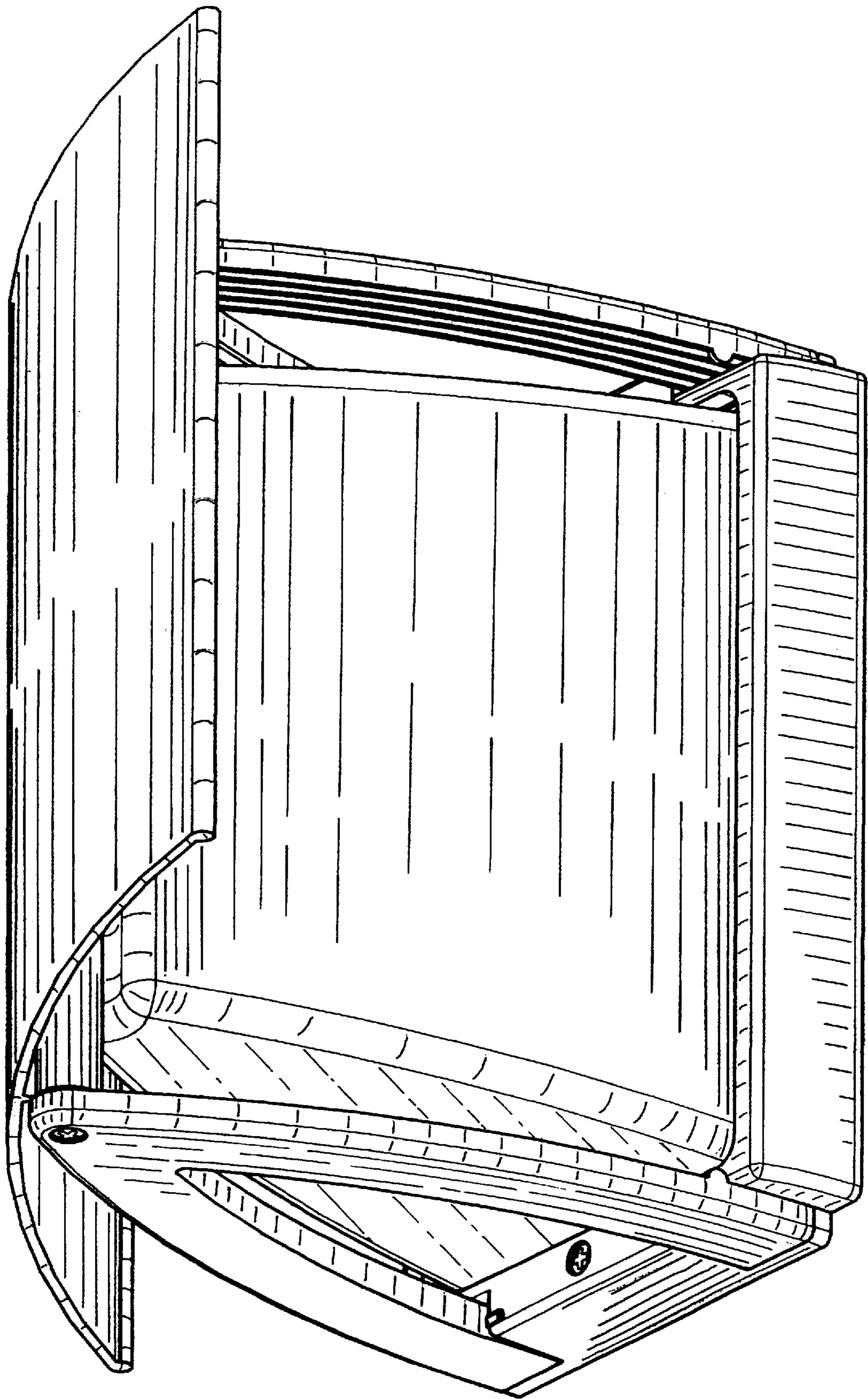


FIG. 8

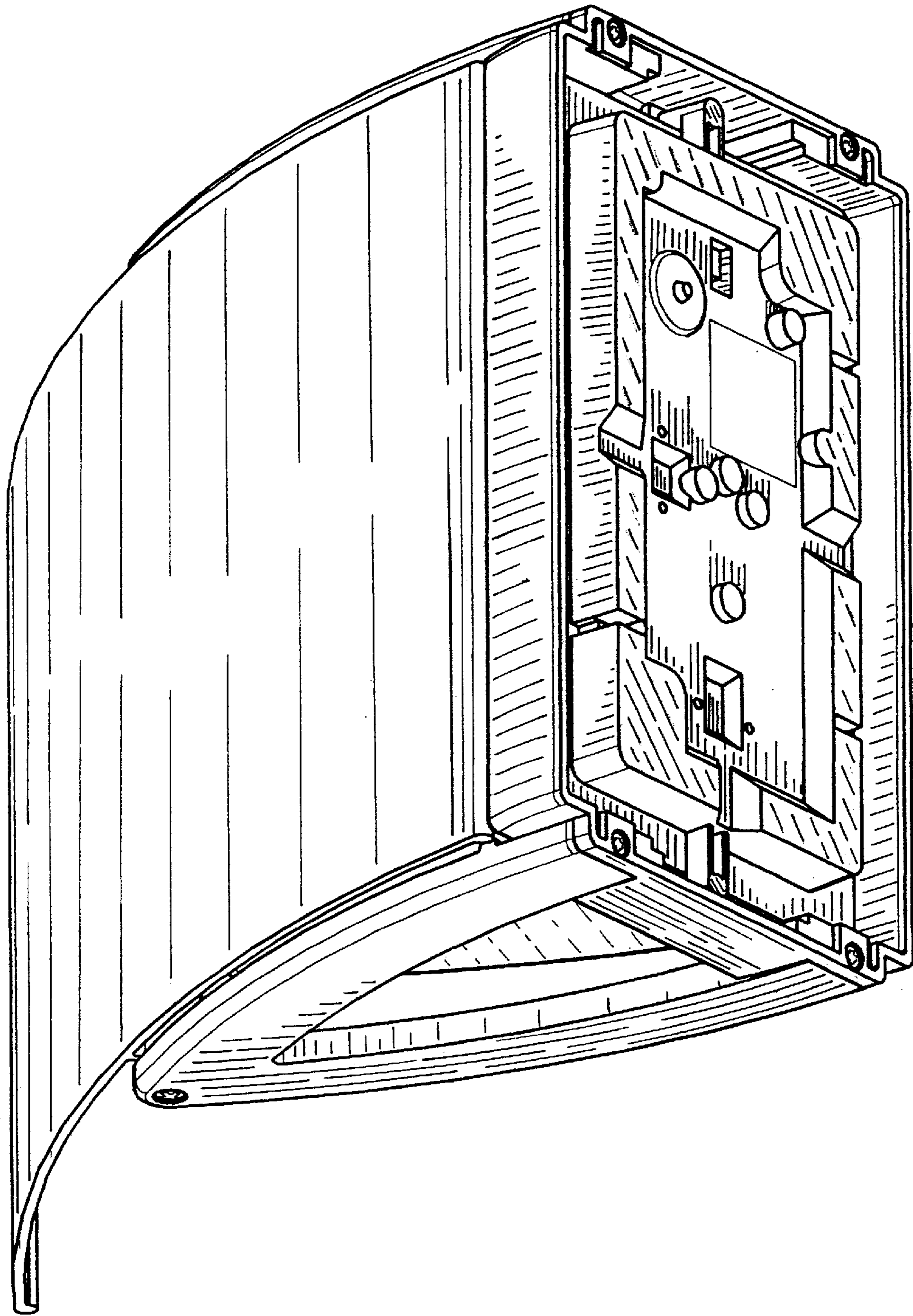


FIG. 9

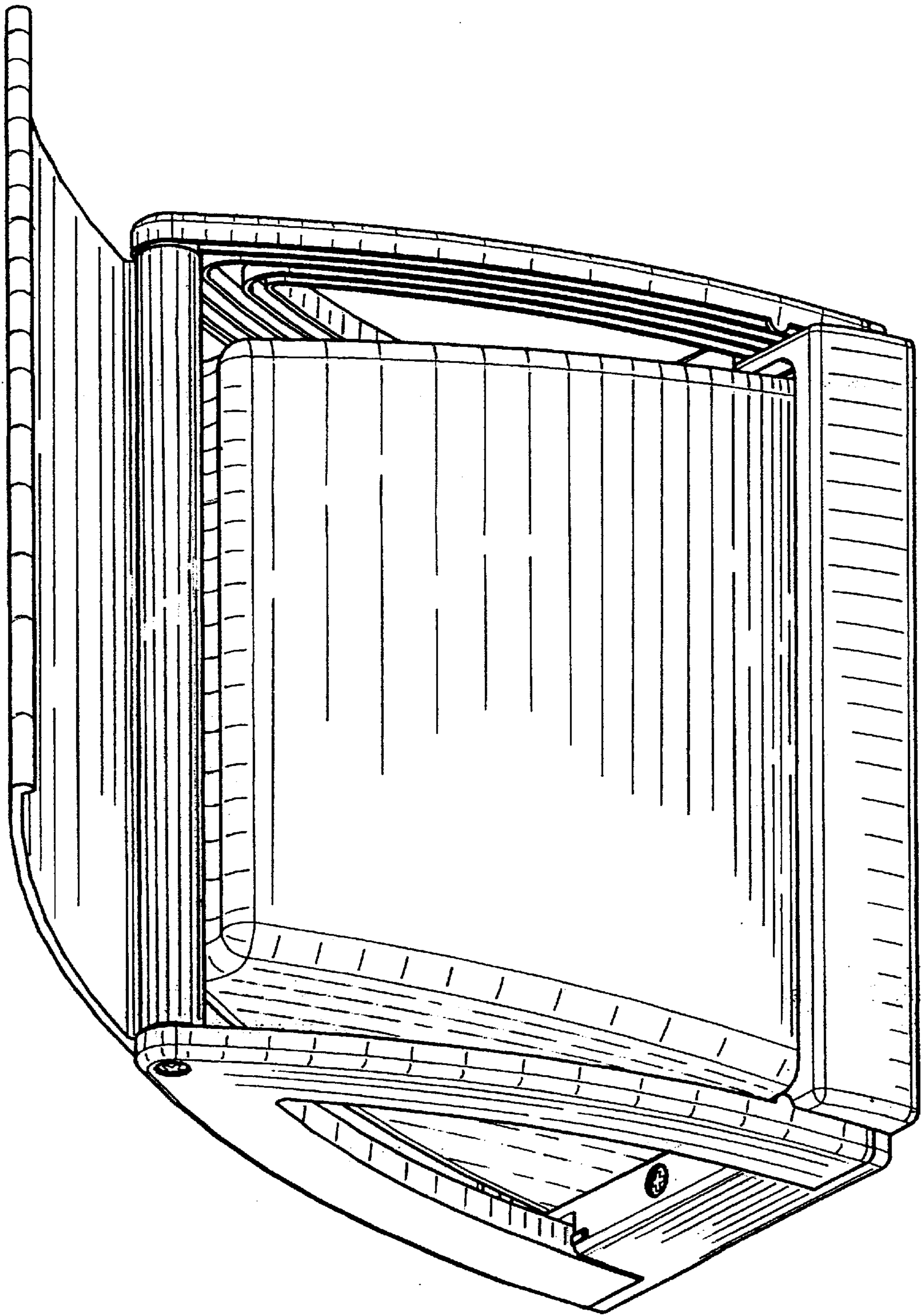


FIG. 10

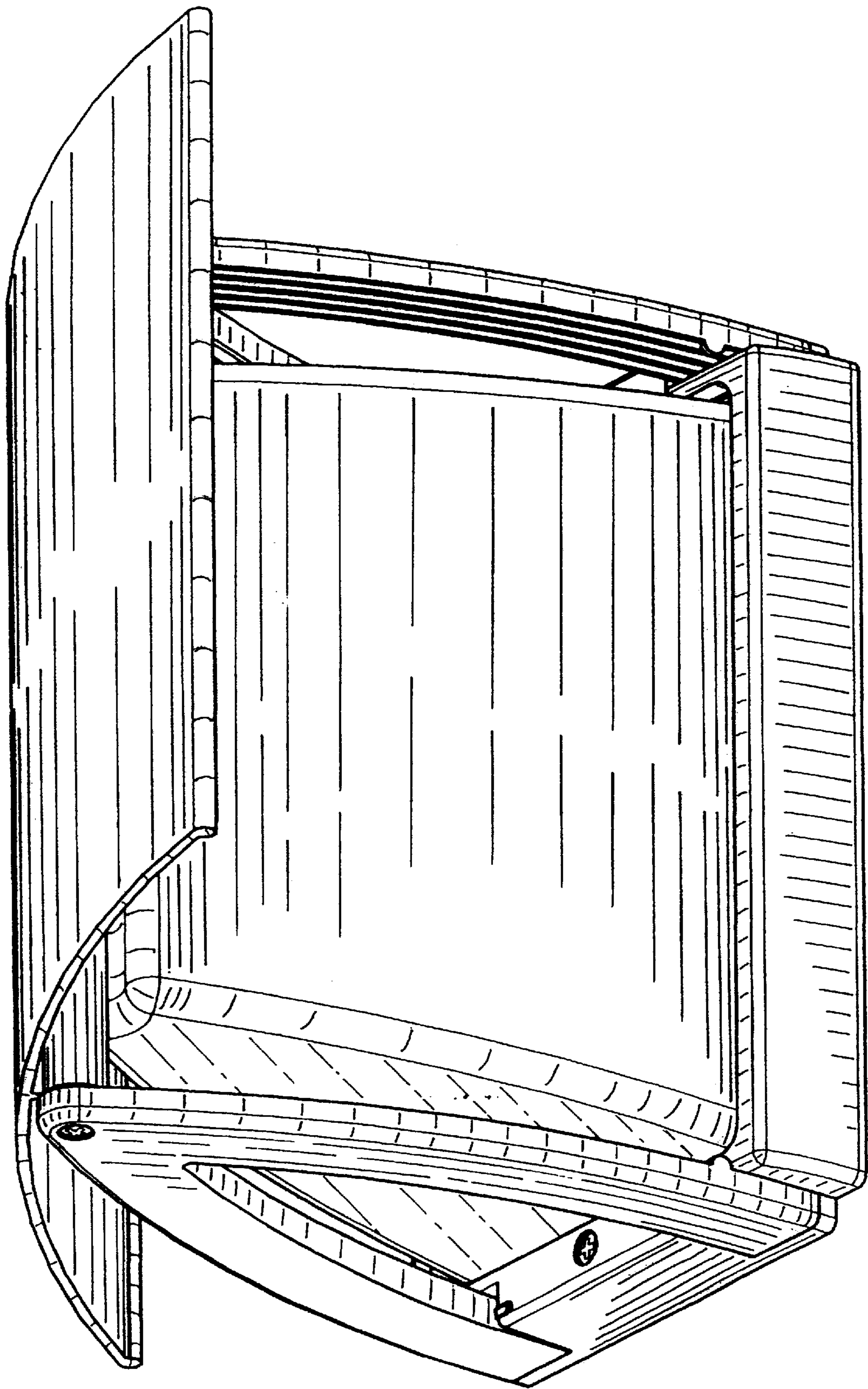


FIG. 11

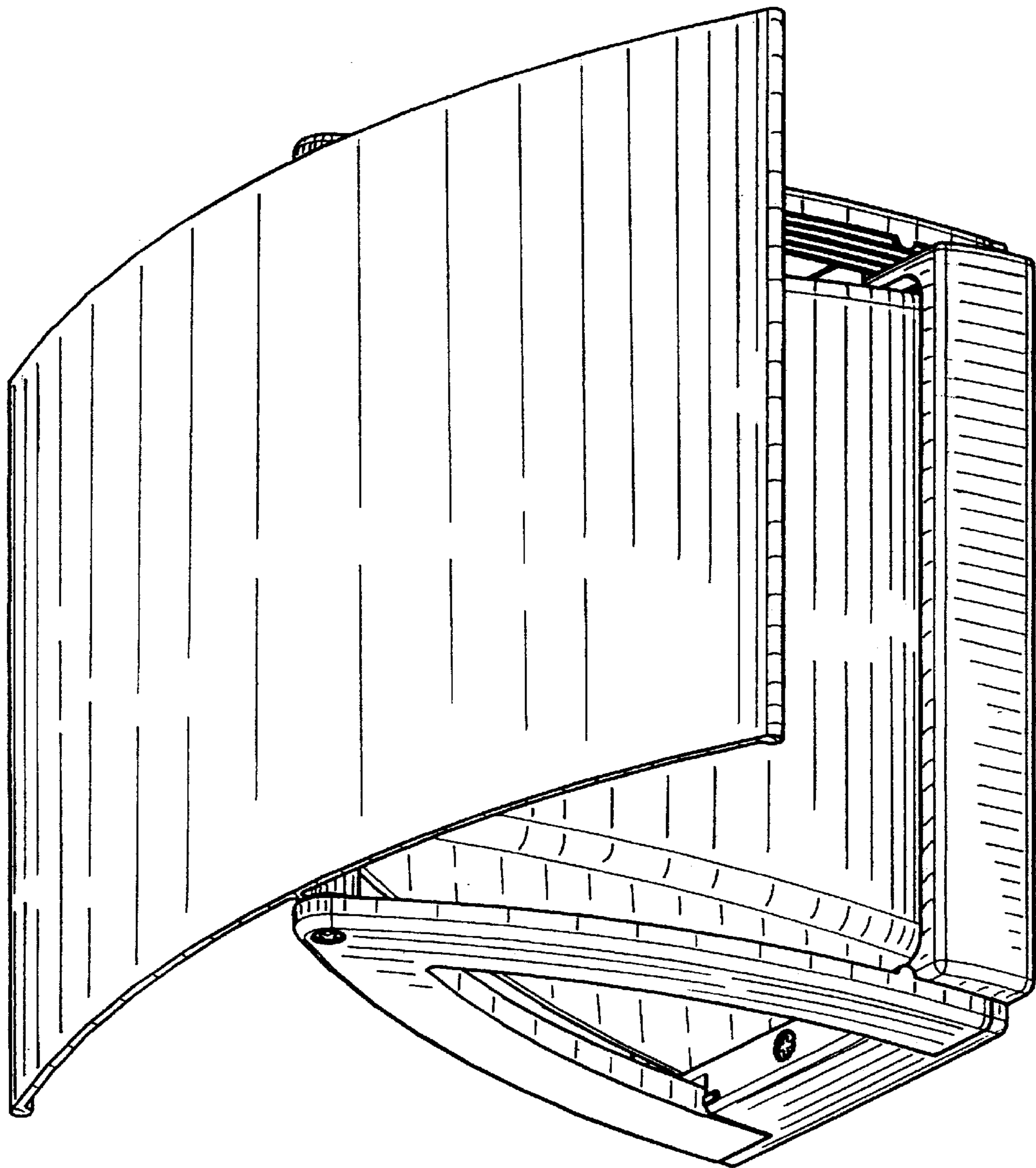


FIG. 12