



US00D440336S

(12) **United States Design Patent**
Katz et al.

(10) **Patent No.:** **US D440,336 S**

(45) **Date of Patent:** **** Apr. 10, 2001**

(54) **LAMP SUPPORT FOR EMERGENCY LIGHT
FIXTURE**

3,032,641 * 5/1962 Deputy D10/114
4,841,278 * 6/1989 Tezuka et al. 340/908
5,075,834 * 12/1991 Puglisi 362/153.1
5,230,559 * 7/1993 Porter et al. 362/153.1

(75) Inventors: **Albert Alvin Katz; Richard
Melbourne Haughton**, both of
Newport Beach, CA (US)

* cited by examiner

Primary Examiner—Susan J. Lucas

(73) Assignee: **Best Lighting Products, Inc.**, Santa
Ana, CA (US)

(74) *Attorney, Agent, or Firm*—Price and Gess

(**) Term: **14 Years**

(57) **CLAIM**

The ornamental design for the lamp support for emergency
light fixture, as shown and described.

(21) Appl. No.: **29/120,658**

DESCRIPTION

(22) Filed: **Mar. 23, 2000**

(51) **LOC (7) Cl.** **26-05**

(52) **U.S. Cl.** **D26/61; D26/140**

(58) **Field of Search** D26/60–66; 362/269,
362/275, 277, 278, 281, 283, 285, 327,
427, 428, 430, 413, 153.1, 153, 431; D10/104,
106, 111, 114, 115, 140

FIG. 1 is a perspective view of the lamp support for
emergency light fixture;

FIG. 2 is a front elevational view of the lamp support for
emergency light fixture;

FIG. 3 is a left side elevational view, the right side being a
mirror image thereof of the lamp support for emergency
light fixture;

FIG. 4 is a top plan view of the lamp support for emergency
light fixture;

FIG. 5 is a bottom plan view of the lamp support for
emergency light fixture; and,

FIG. 6 is a rear elevational view of the lamp support for
emergency light fixture.

(56) **References Cited**

U.S. PATENT DOCUMENTS

D. 204,015 * 3/1966 Ashley D10/114
D. 350,408 * 9/1994 Leigh et al. D26/63
D. 372,550 * 8/1996 Stultz D26/63
2,883,646 * 4/1959 Worsham 340/930

1 Claim, 3 Drawing Sheets

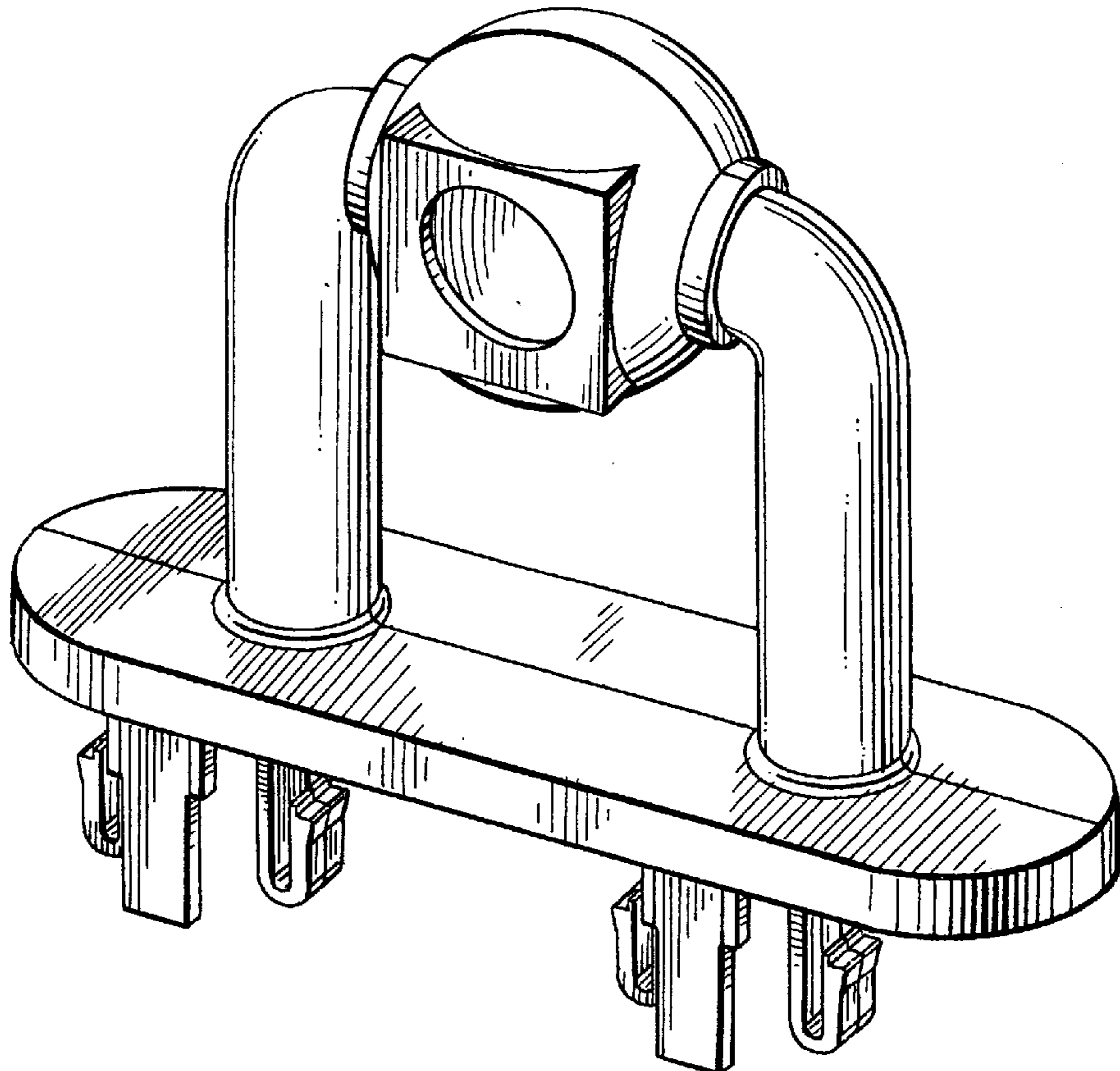


FIG. 1

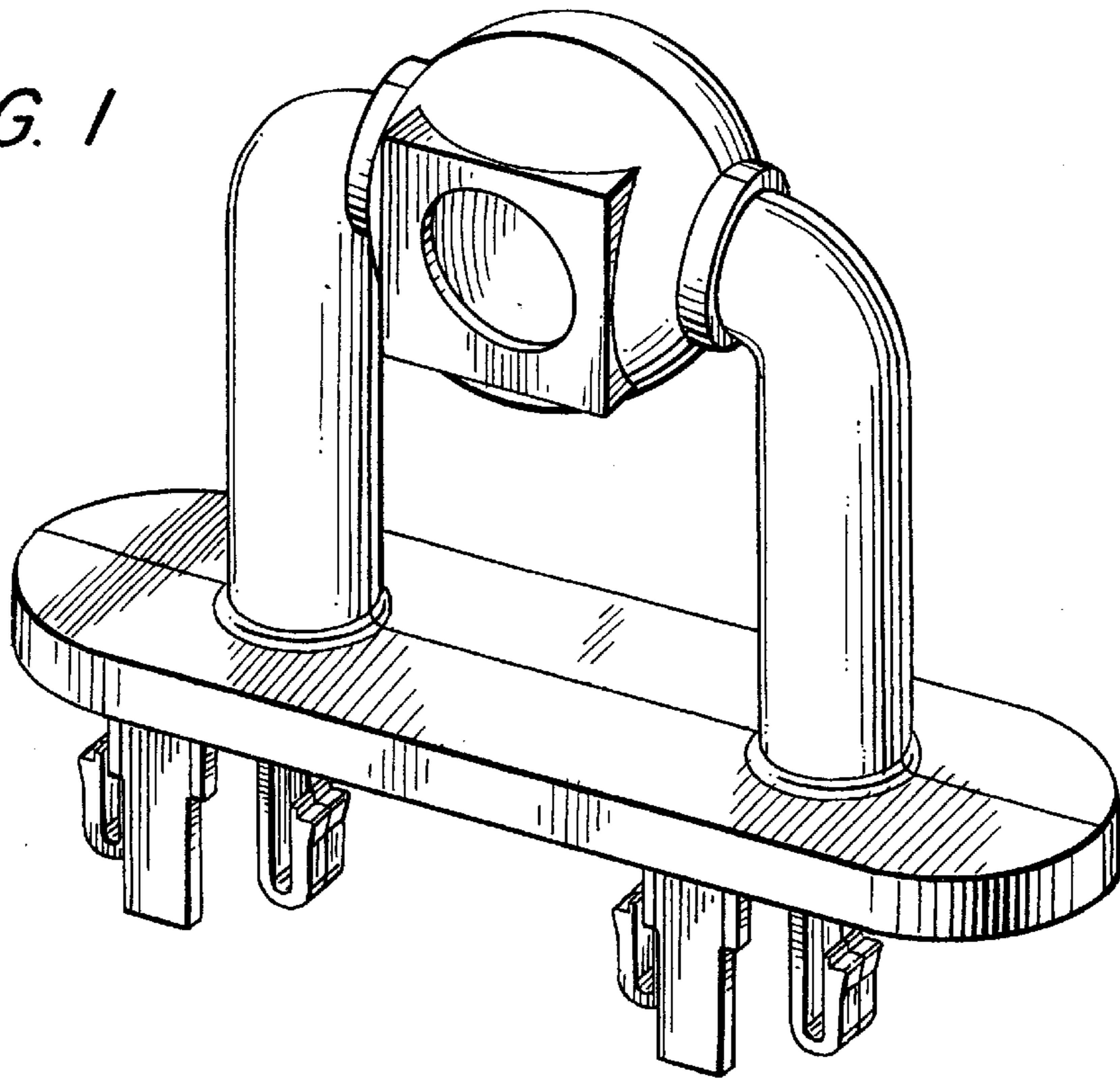


FIG. 2

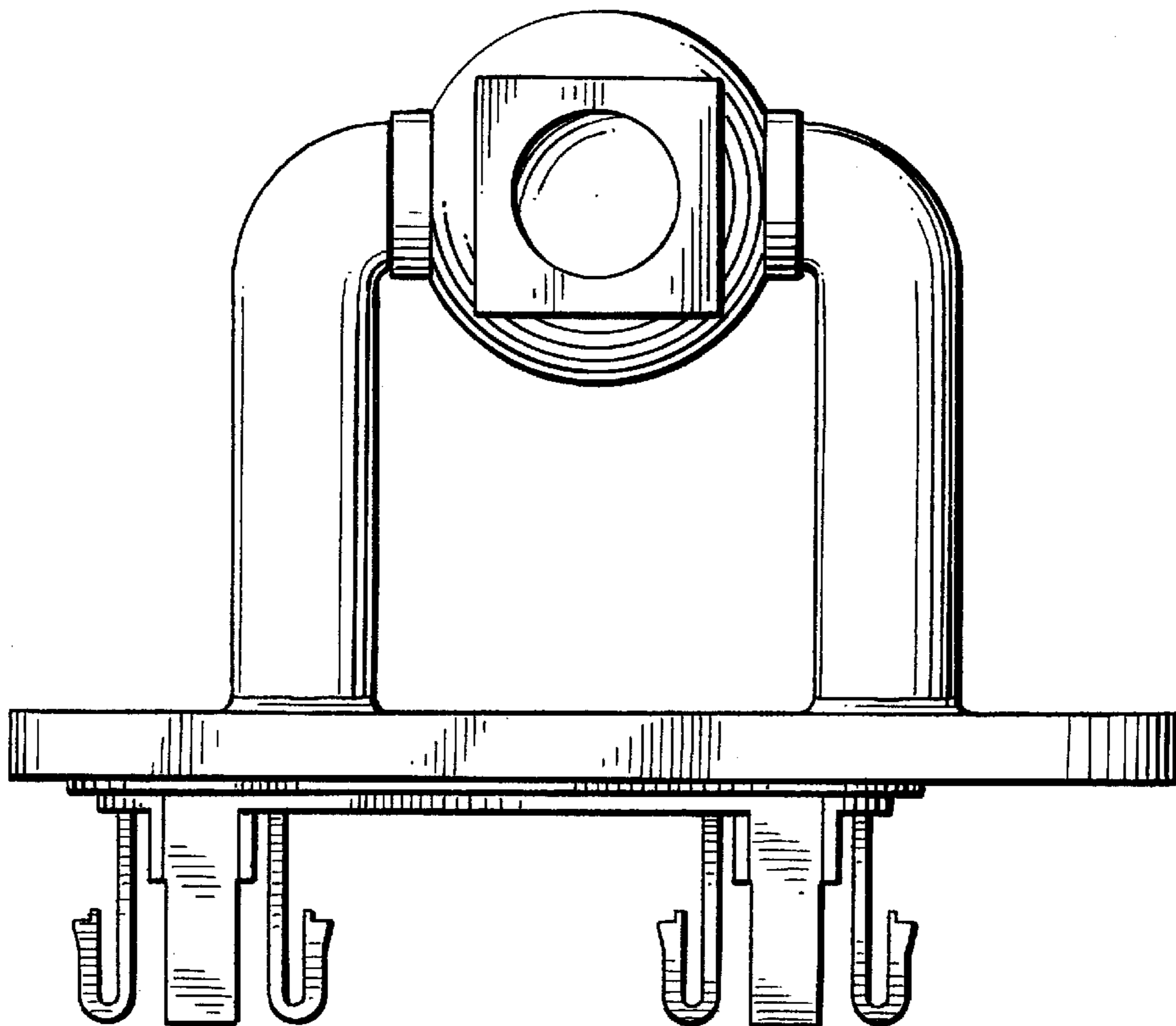


FIG. 3

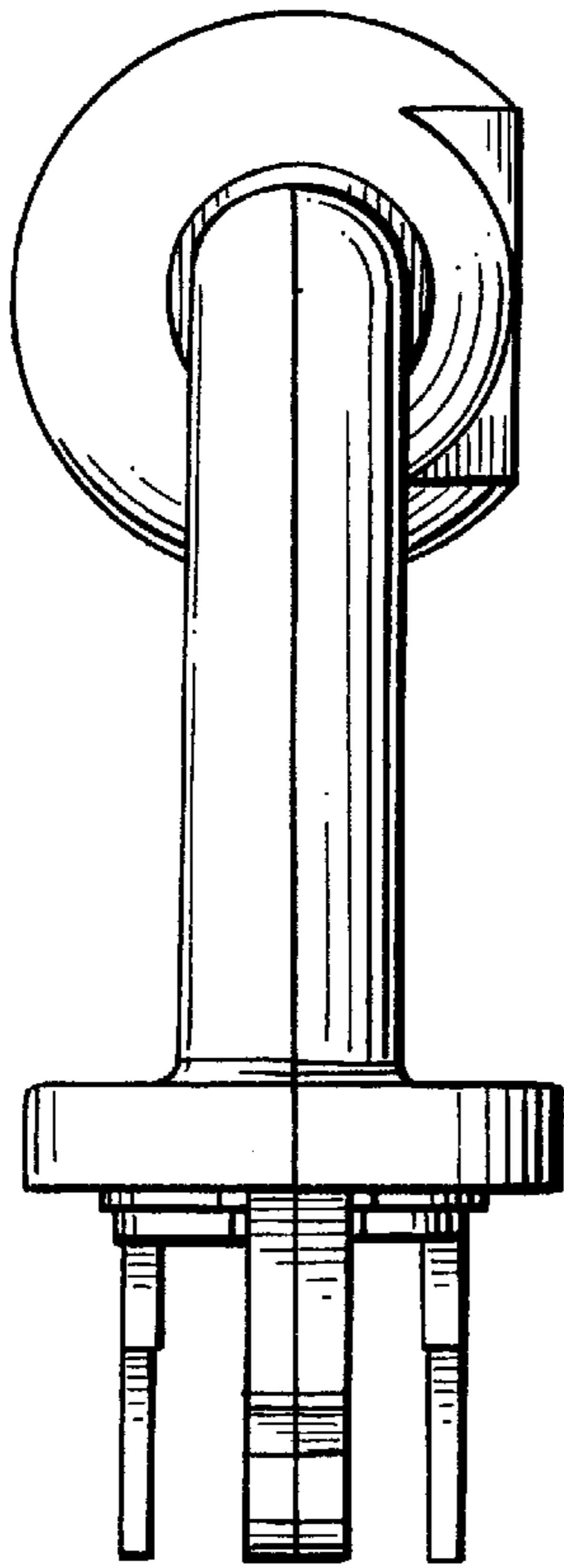


FIG. 4

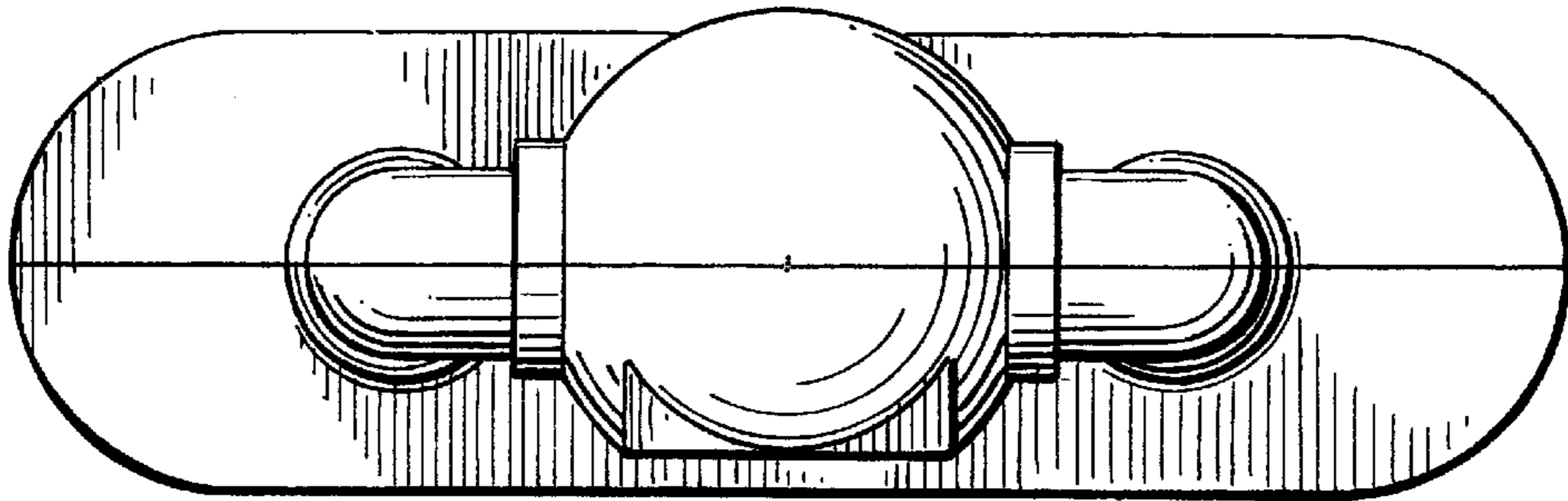


FIG. 5

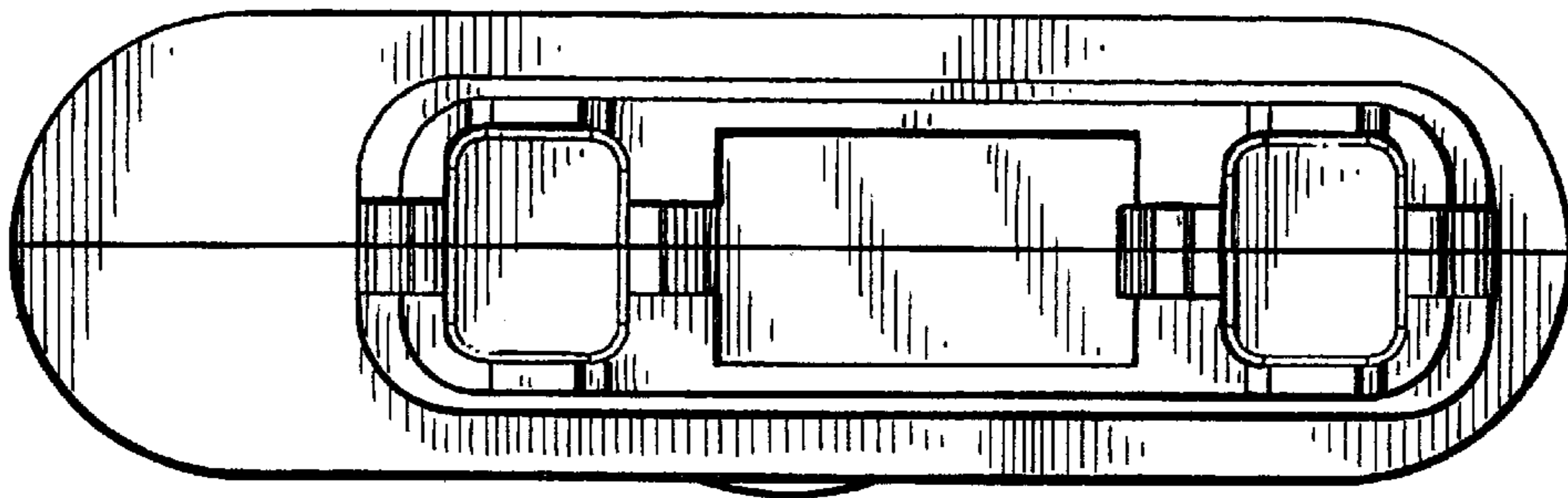


FIG. 6

