



US00D440333S

(12) **United States Design Patent**
Yuen

(10) **Patent No.:** **US D440,333 S**

(45) **Date of Patent:** **** Apr. 10, 2001**

(54) **SWIVEL LANTERN**

(75) Inventor: **Se Kit Yuen**, Kowloon (HK)
(73) Assignee: **John Manufacturing Limited**,
Kowloon (CN)
(**) Term: **14 Years**

(21) Appl. No.: **29/127,625**
(22) Filed: **Aug. 9, 2000**

(30) **Foreign Application Priority Data**

Mar. 14, 2000 (HK) 0010308

(51) **LOC (7) Cl.** **26-02**
(52) **U.S. Cl.** **D26/37**
(58) **Field of Search** D26/37-50; 362/157,
362/158, 171, 172, 173, 183-208, 418,
419, 427

(56) **References Cited**

U.S. PATENT DOCUMENTS

D. 390,982 * 2/1998 Wan D26/37
D. 415,298 * 10/1999 Chen D26/37
D. 430,323 8/2000 Yuen .

FOREIGN PATENT DOCUMENTS

2091911 3/2000 (GB) .
2091912 3/2000 (GB) .

* cited by examiner

Primary Examiner—Marcus A. Jackson

(74) *Attorney, Agent, or Firm*—Merchant & Gould P.C.

(57) **CLAIM**

The ornamental design for a swivel lantern, as shown and described.

DESCRIPTION

FIG. 1 is a front plan view of an embodiment of a swivel lantern showing my new design, with the wire broken away at the end to indicate indeterminate length;
FIG. 2 is a top plan view thereof;
FIG. 3 is a rear view thereof;
FIG. 4 is a bottom view thereof;
FIG. 5 is a left side view thereof;
FIG. 6 is a figure similar to that shown in FIG. 5, in an alternative position;
FIG. 7 is a right side view thereof; and,
FIG. 8 is a figure similar to that shown in FIG. 1, in an alternative position.

1 Claim, 5 Drawing Sheets

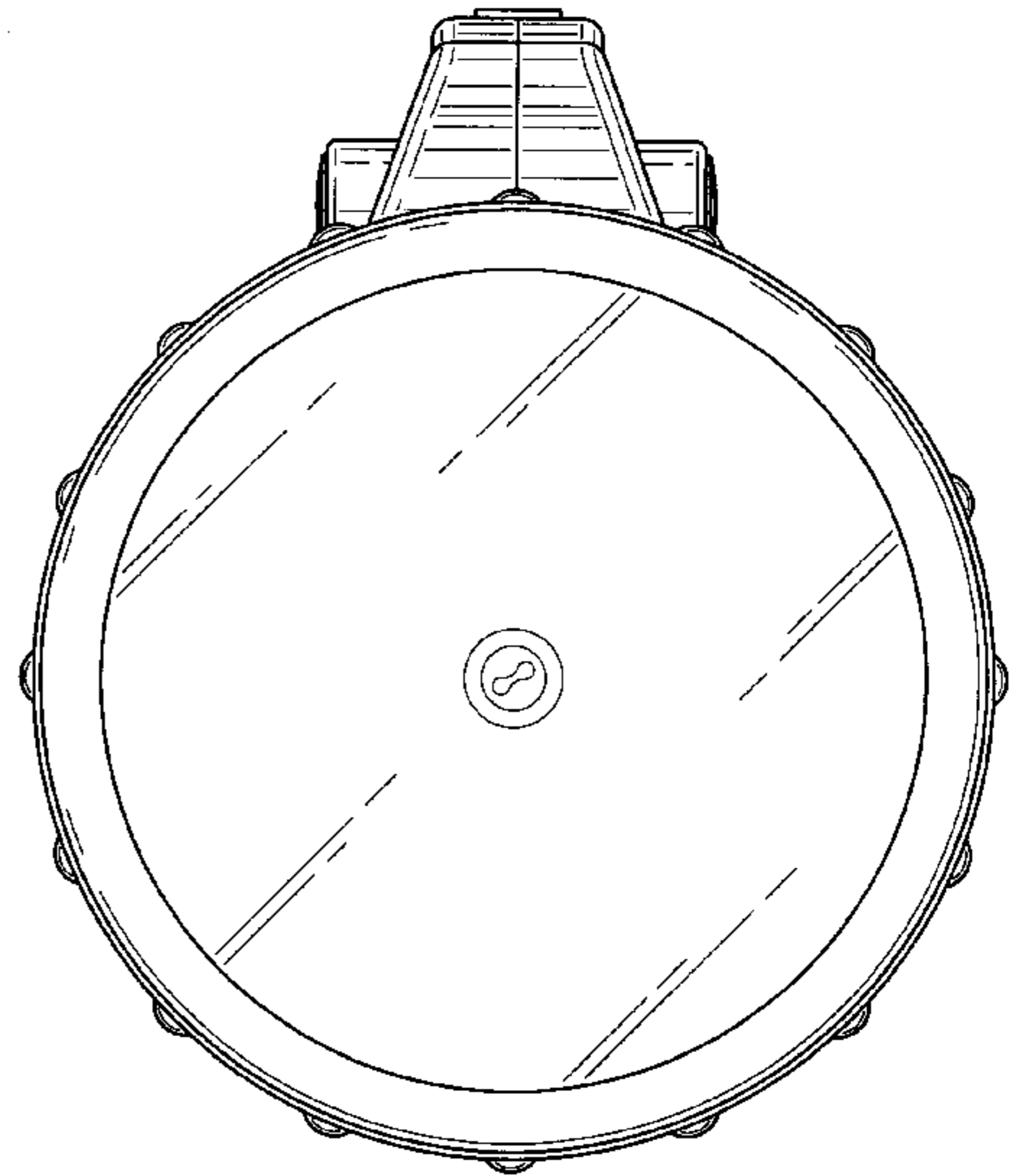
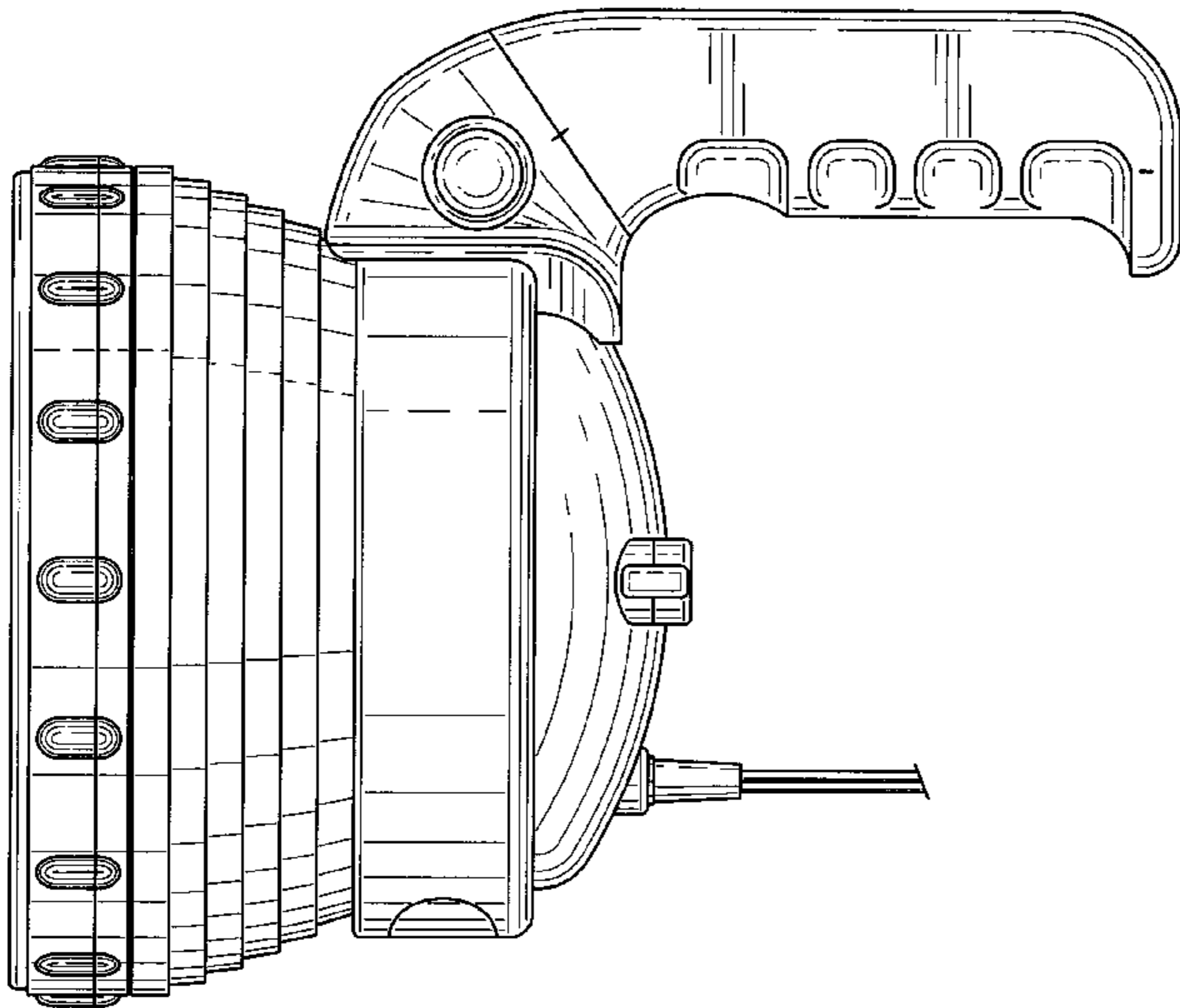


FIG. 1

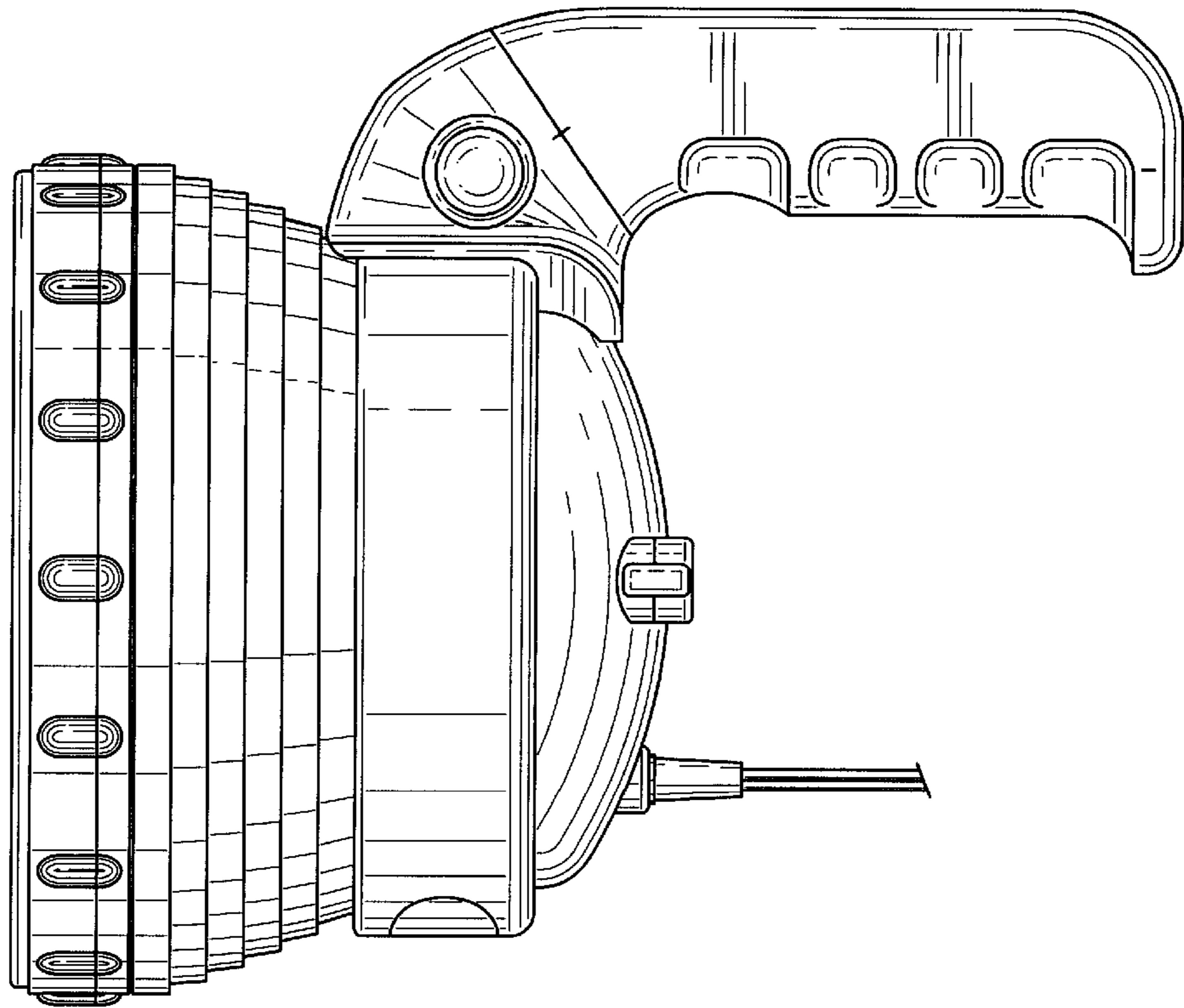


FIG. 2

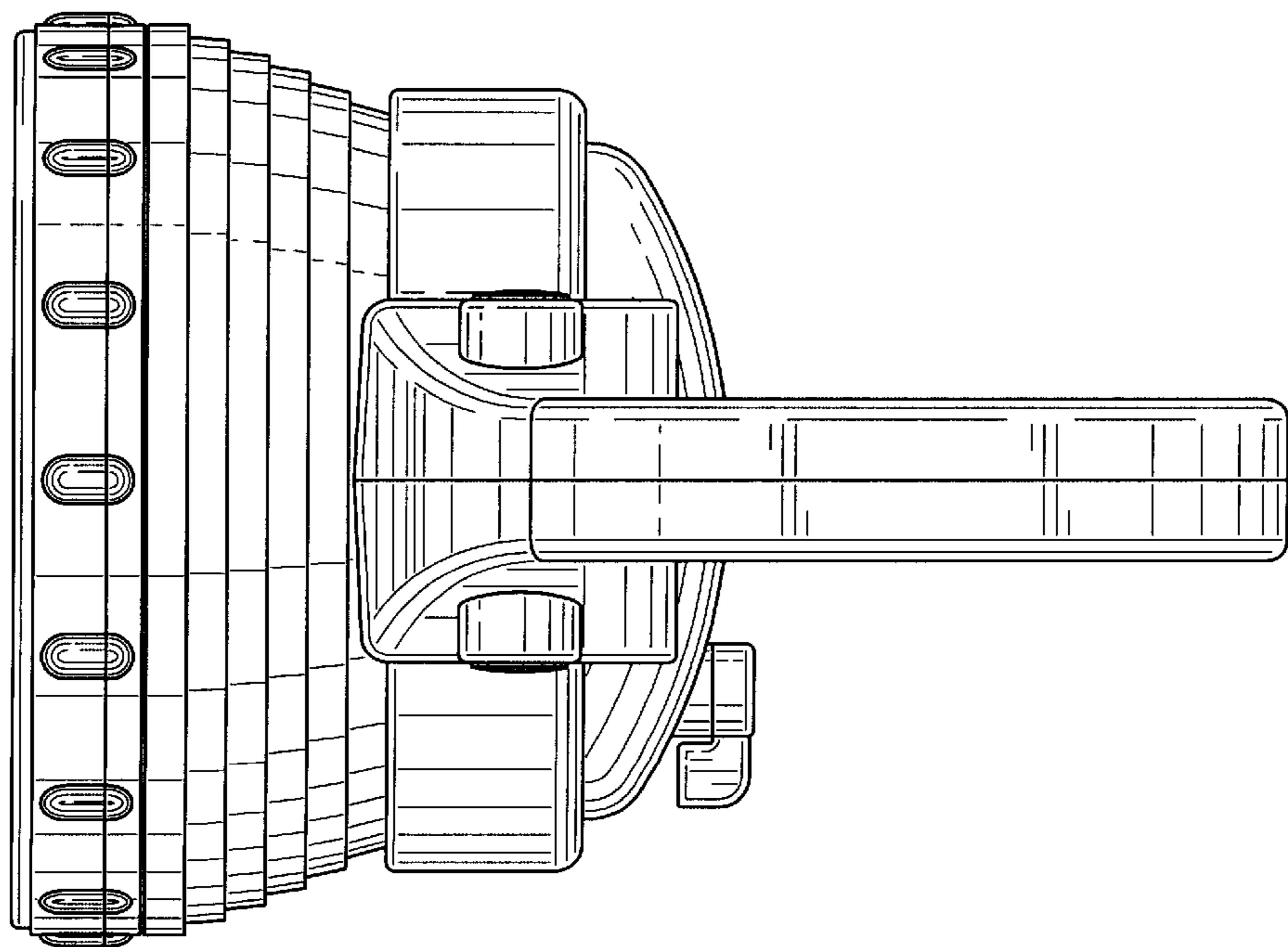


FIG. 3

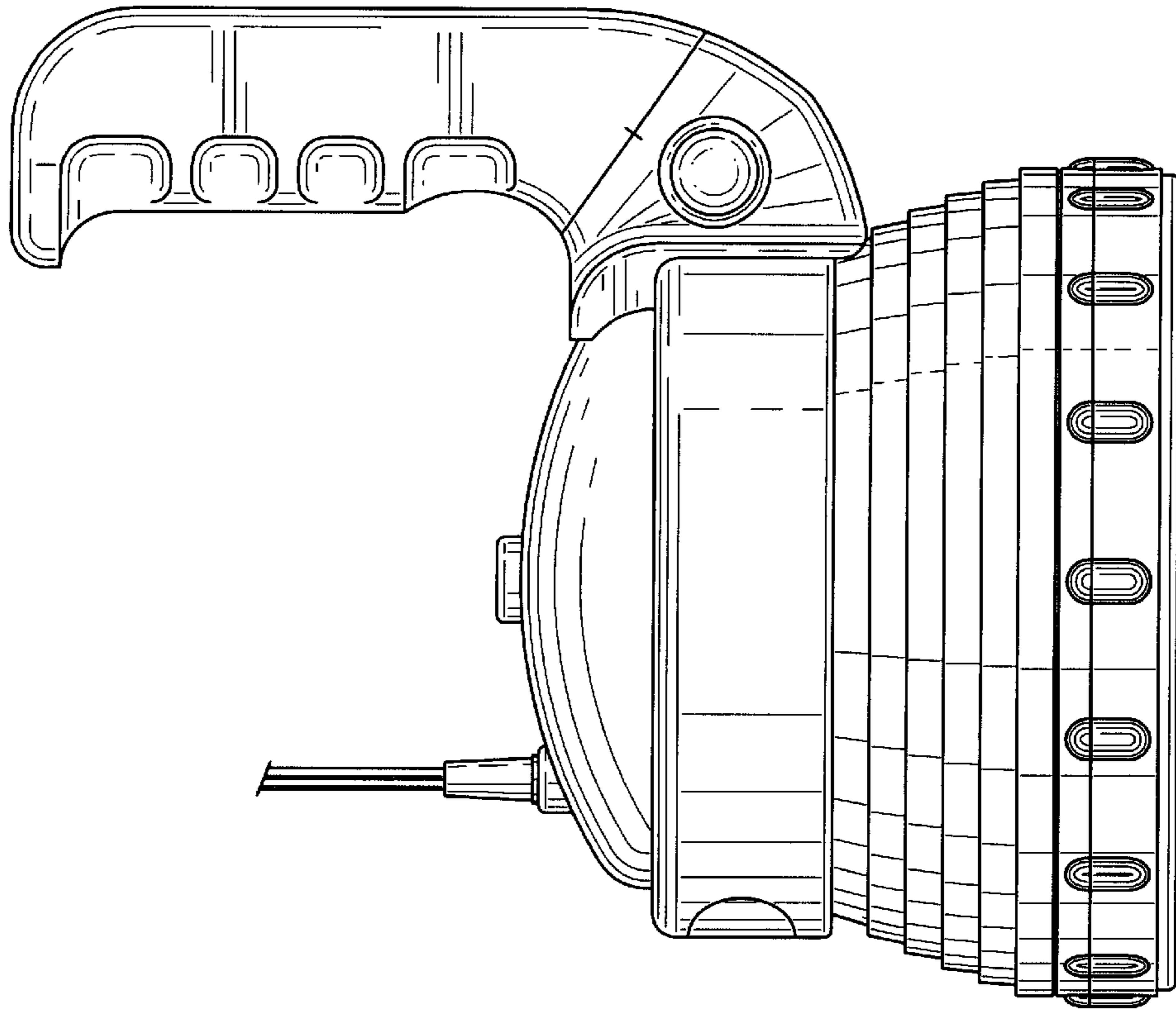


FIG. 4

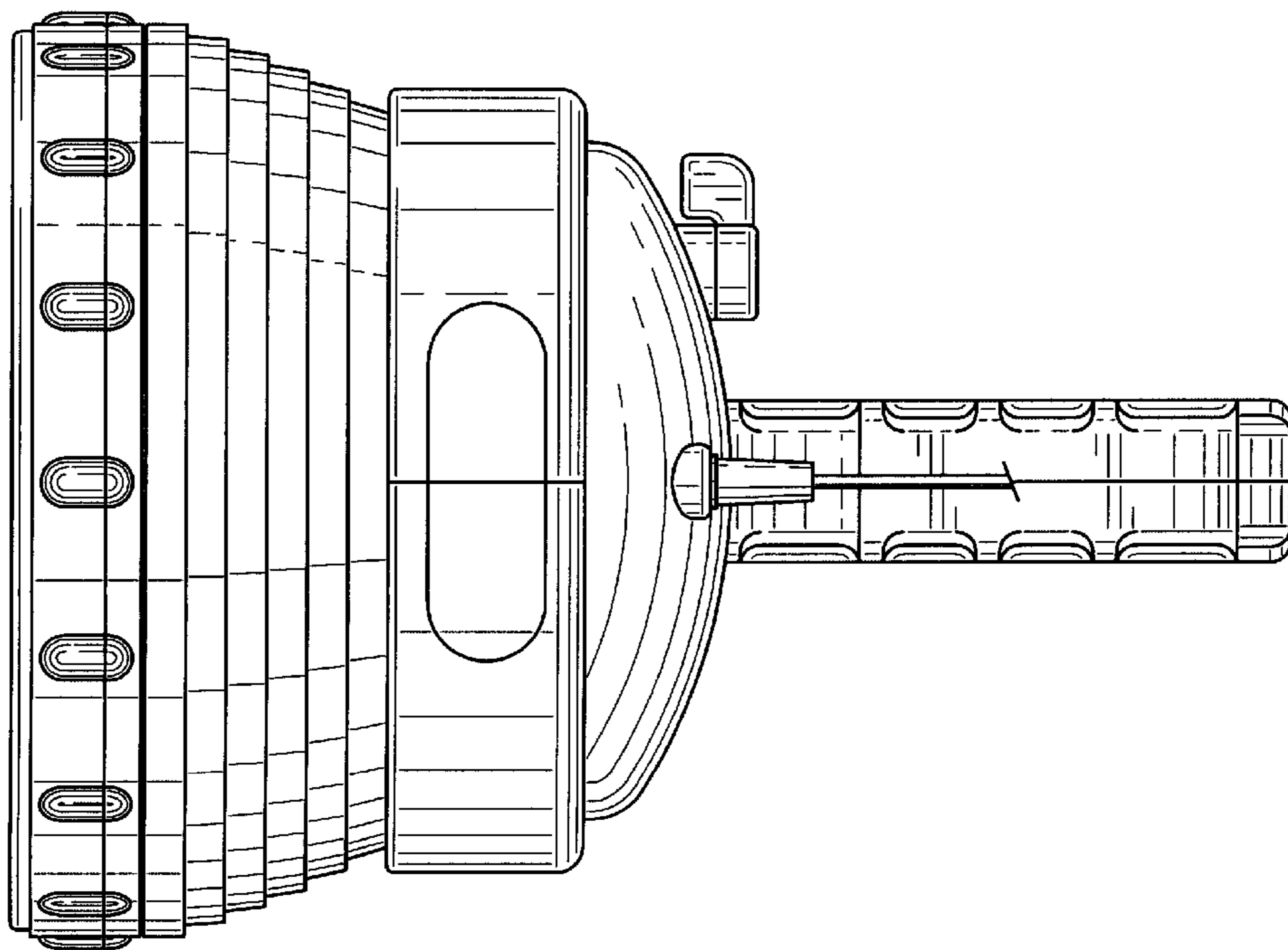


FIG. 5

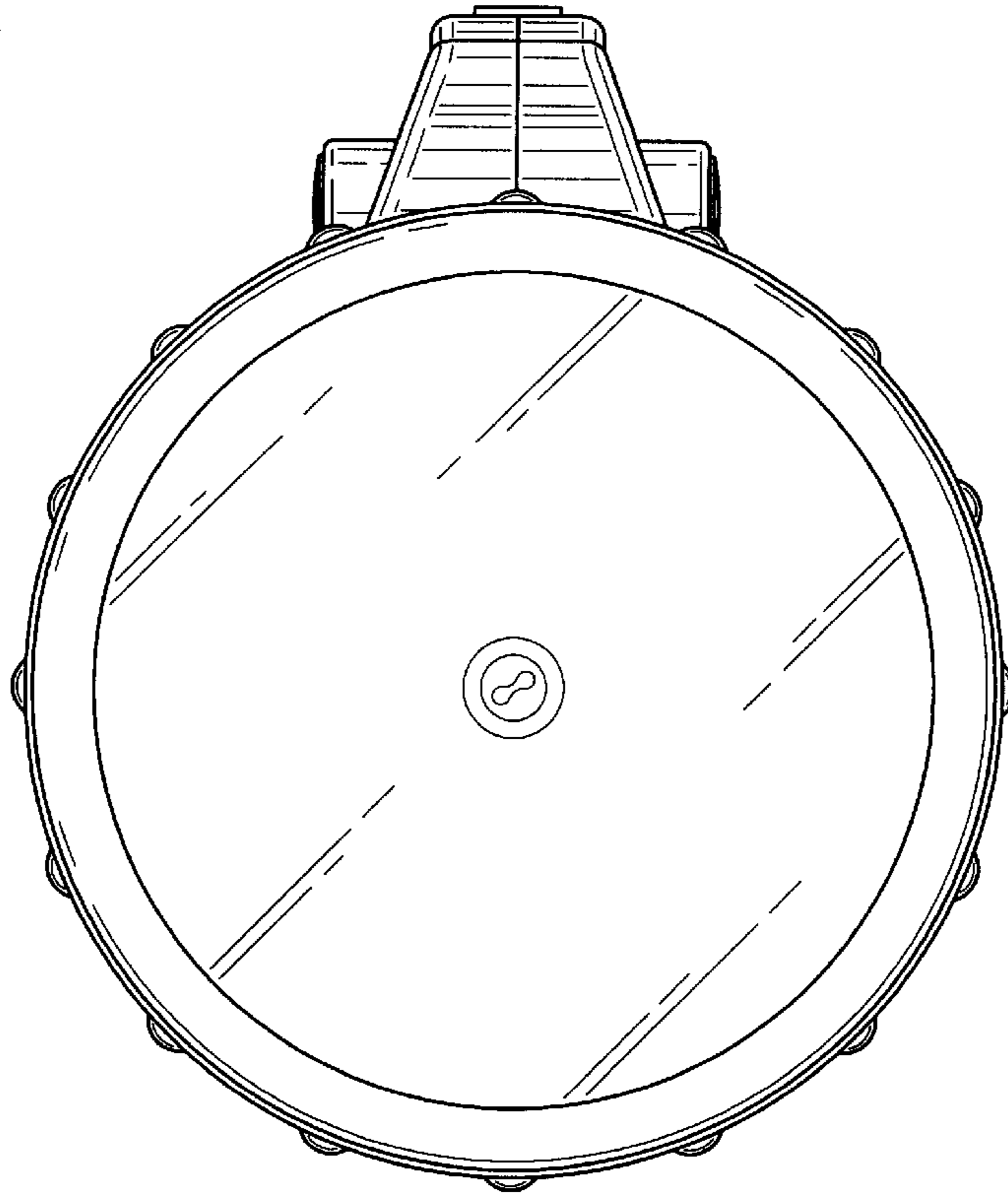


FIG. 7

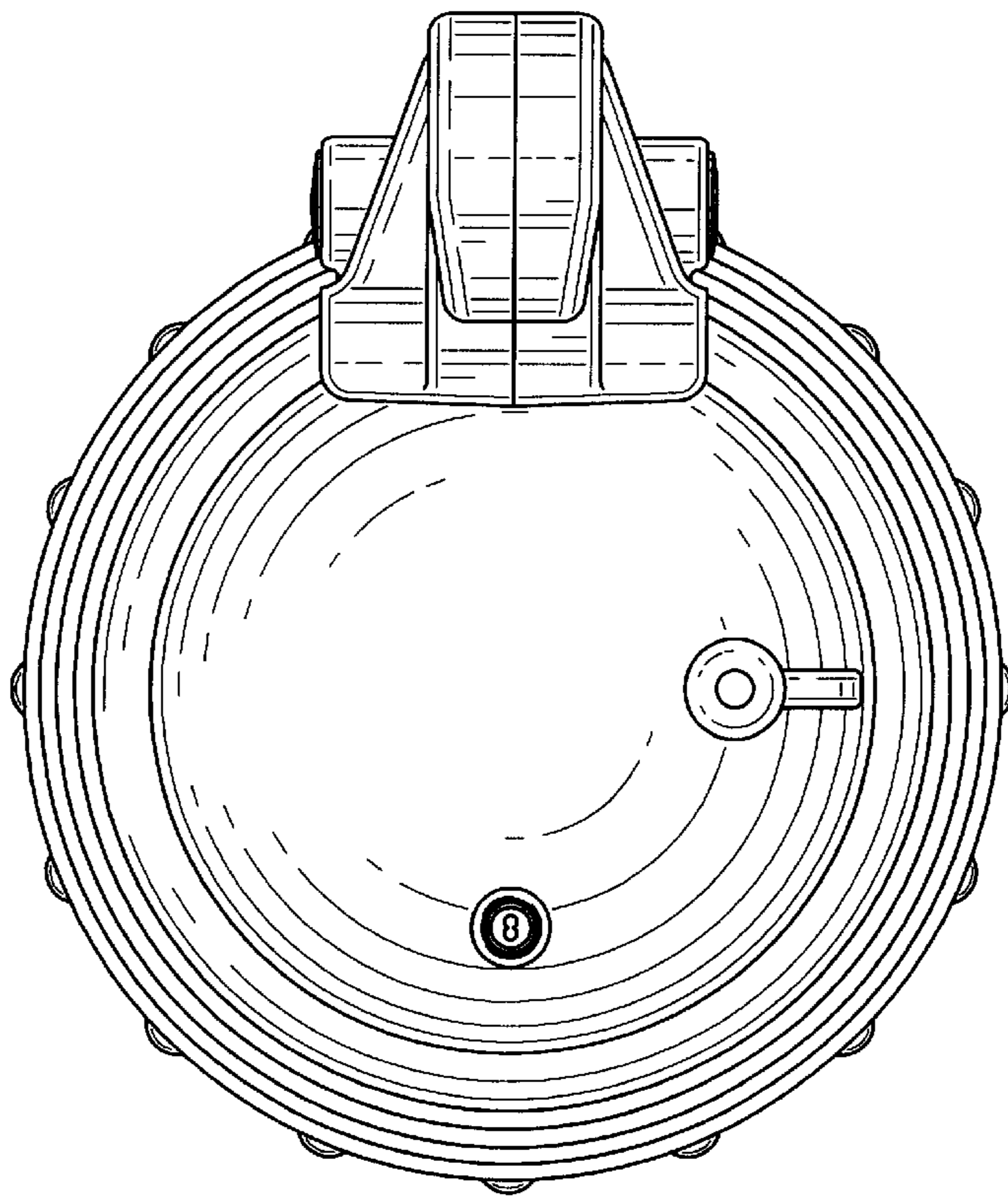


FIG. 6

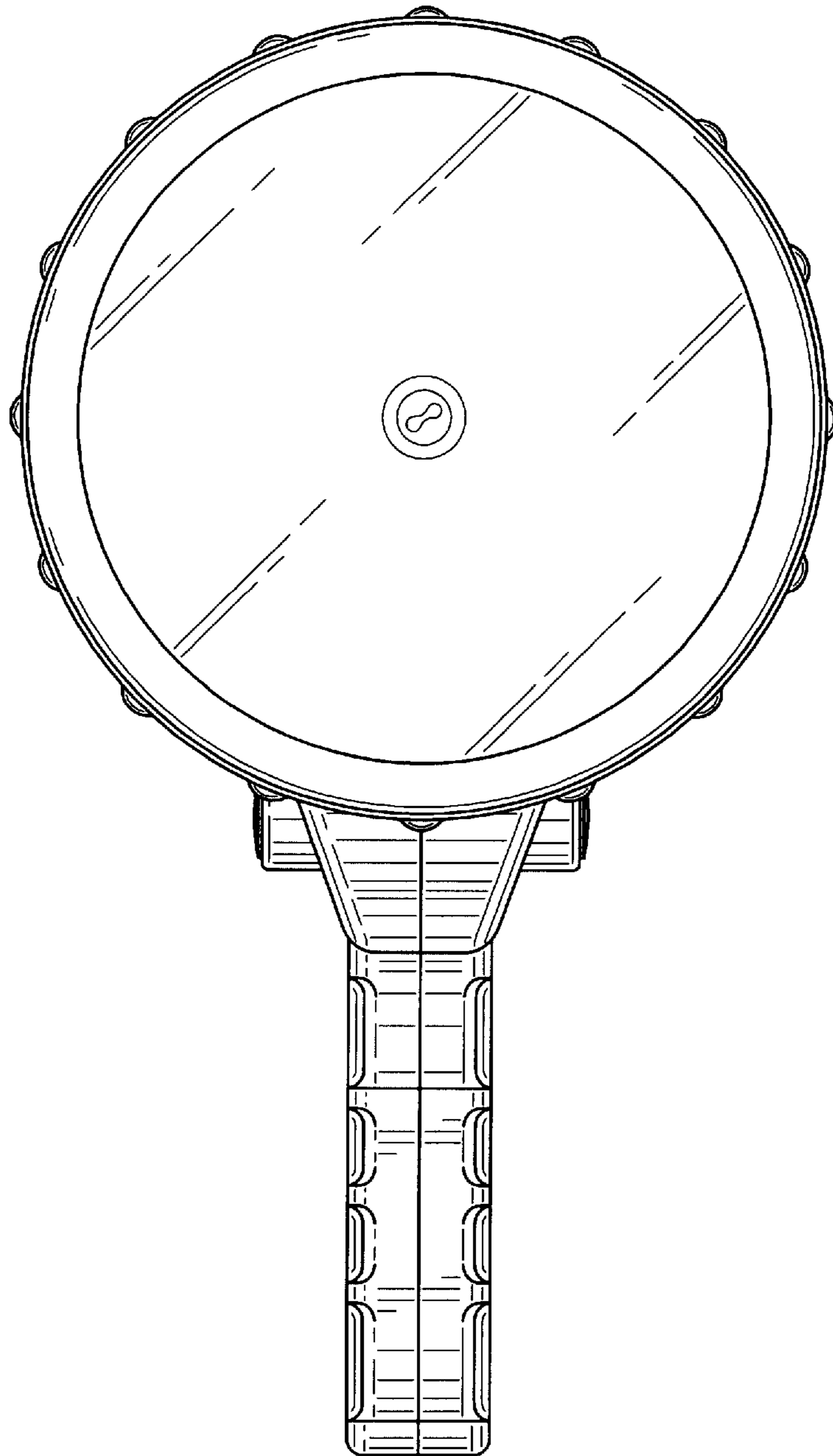


FIG. 8

