



US00D440330S

(12) **United States Design Patent**
Scott et al.

(10) **Patent No.:** **US D440,330 S**

(45) **Date of Patent:** **** Apr. 10, 2001**

(54) **BILLET LIGHTS**

(75) Inventors: **Ronald P. Scott; Lyle P. Scott**, both of Whittier, CA (US)

(73) Assignee: **NC Dynamics**, Long Beach, CA (US)

(**) Term: **14 Years**

(21) Appl. No.: **29/125,820**

(22) Filed: **Jun. 30, 2000**

(51) **LOC (7) Cl.** **26-04**

(52) **U.S. Cl.** **D26/28**

(58) **Field of Search** D26/28-36; 362/147,
362/404, 432, 418, 419, 427, 428, 269,
275

(56) **References Cited**

U.S. PATENT DOCUMENTS

- D. 111,577 10/1938 Arenberg .
- D. 112,389 11/1938 Toppin .
- D. 112,957 1/1939 Ludwig .
- D. 113,850 3/1939 Ludwig .
- D. 117,473 11/1939 Grode .
- D. 124,540 1/1941 Nebenzahl et al. .

(List continued on next page.)

OTHER PUBLICATIONS

Author unknown, "LAZER STAR Billet Lights," Supplement (descriptive sheet and specification), undated, 1 page, Weekend Concepts Recreational Engineering, Long Beach, CA. filed prior to Jun. 30, 2000.

Author unknown, "LAZER STAR Illumination Imagination—Fit, Form, Function," Product Guide, undated, 6-page brochure, Weekend Concepts Recreational Engineering, Long Beach, CA. filed prior to Jun. 30, 2000.

Author unknown, "LAZER STAR Illumination Imagination—Fit, Form, Function," Product Guide, 1996, 4-page brochure, Weekend Concepts Recreational Engineering, Long Beach, CA.

Author unknown, "Lazer Star Billet Lights," Motorcycle Product Guide, 1998, 6-page brochure, Weekend Concepts Recreational Engineering, Long Beach, CA.

Drawings from Trademark Application, Ser. No. 75/717, 025; filed May 26, 1999 for MISCELLANEOUS DESIGN; Apr. 1993 (date of first use); NC Dynamics, Inc., Applicant. Author Unknown, *Swivelier* Catalog, Jun. 1986, p. 24, Item 22309.

Author Unknown, *Swivelier* Catalog, Jun. 1986, p. 25, Item 59330.

Author Unknown, *Cozy-Lites®* Catalog, Sigma Universal Corporation, Jun. 1986, p. 7, Item No. SP-606.

Primary Examiner—Marcus A. Jackson

(74) *Attorney, Agent, or Firm*—Lyon & Lyon LLP

(57) **CLAIM**

The ornamental design for a billet lights, as shown and described.

DESCRIPTION

FIG. 1 is a perspective view of a first embodiment of the new design,

FIG. 2 is a top view thereof,

FIG. 3 is a front view thereof,

FIG. 4 is a bottom view thereof,

FIG. 5 is a rear view thereof,

FIG. 6 is a perspective view of a second smaller embodiment of the new design,

FIG. 7 is a top view thereof,

FIG. 8 is a front view thereof,

FIG. 9 is a bottom view thereof,

FIG. 10 is a rear view thereof,

FIG. 11 is a perspective view of a third embodiment of the new design,

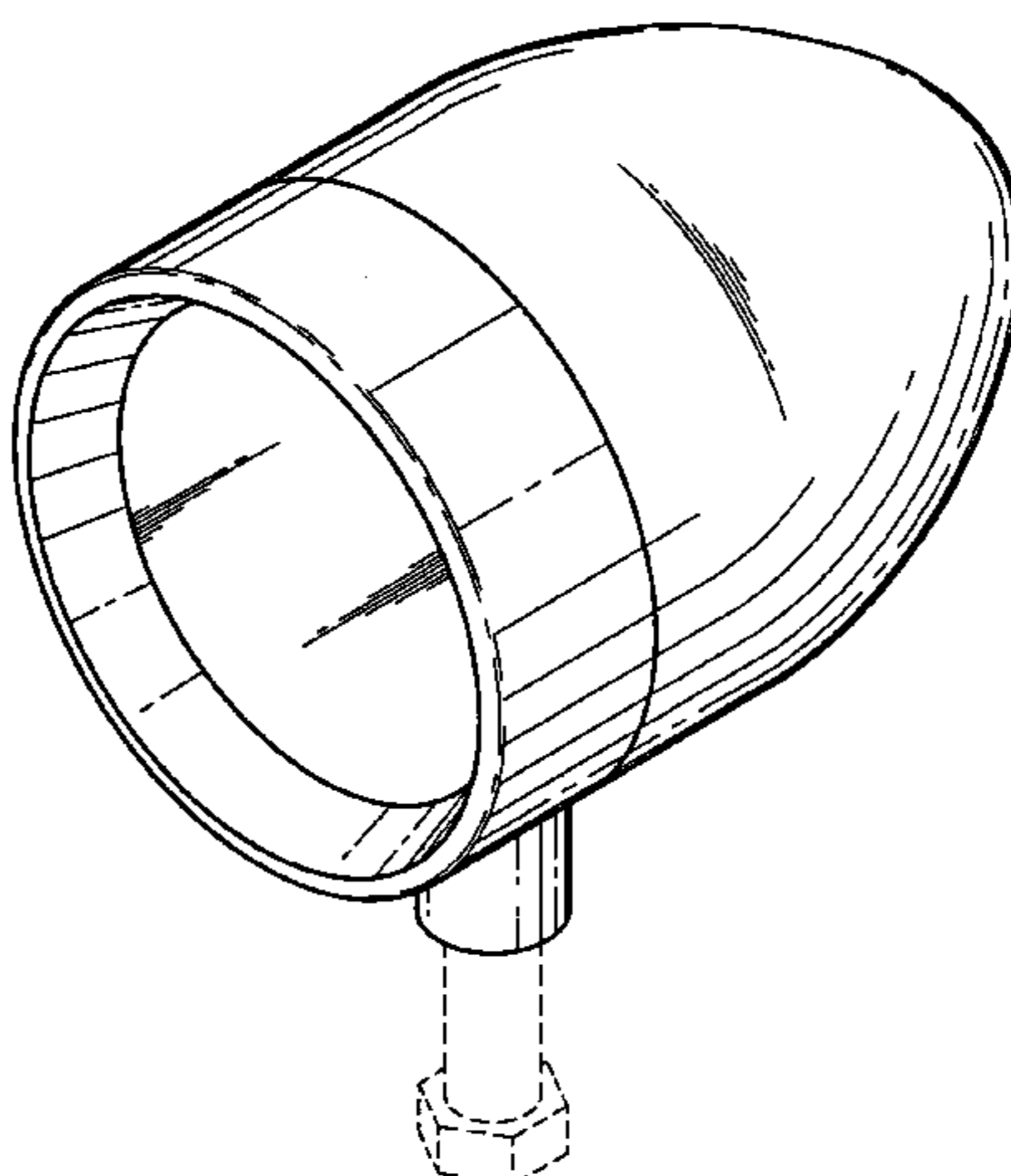
FIG. 12 is a top view thereof,

FIG. 13 is a front view thereof,

FIG. 14 is a bottom view thereof; and,

FIG. 15 is a rear view thereof.

1 Claim, 6 Drawing Sheets



US D440,330 S

Page 2

U.S. PATENT DOCUMENTS					
			D. 427,696 *	7/2000	Scott et al. D26/28
D. 276,468	11/1984	Preisler et al. .	2,192,114	2/1940	Walker .
D. 315,610	3/1991	Joosten et al. .	2,212,048	8/1940	Russell .
D. 315,964	4/1991	Joosten et al. .	4,212,050	7/1980	Trenkel .
D. 400,997	11/1998	Cheun et al. .			
D. 424,724 *	5/2000	Hussaini et al. D26/28			* cited by examiner

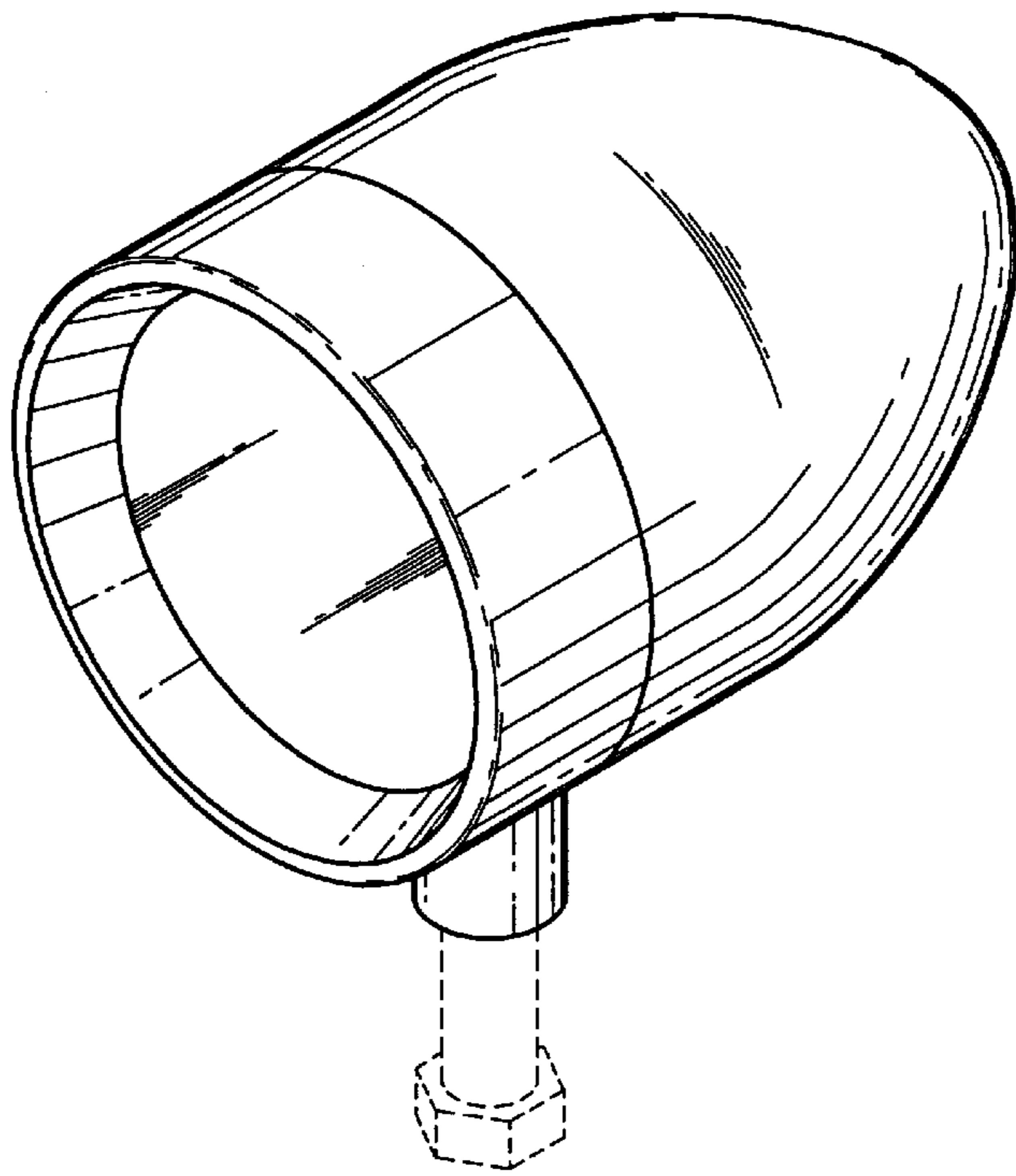


FIG. 1

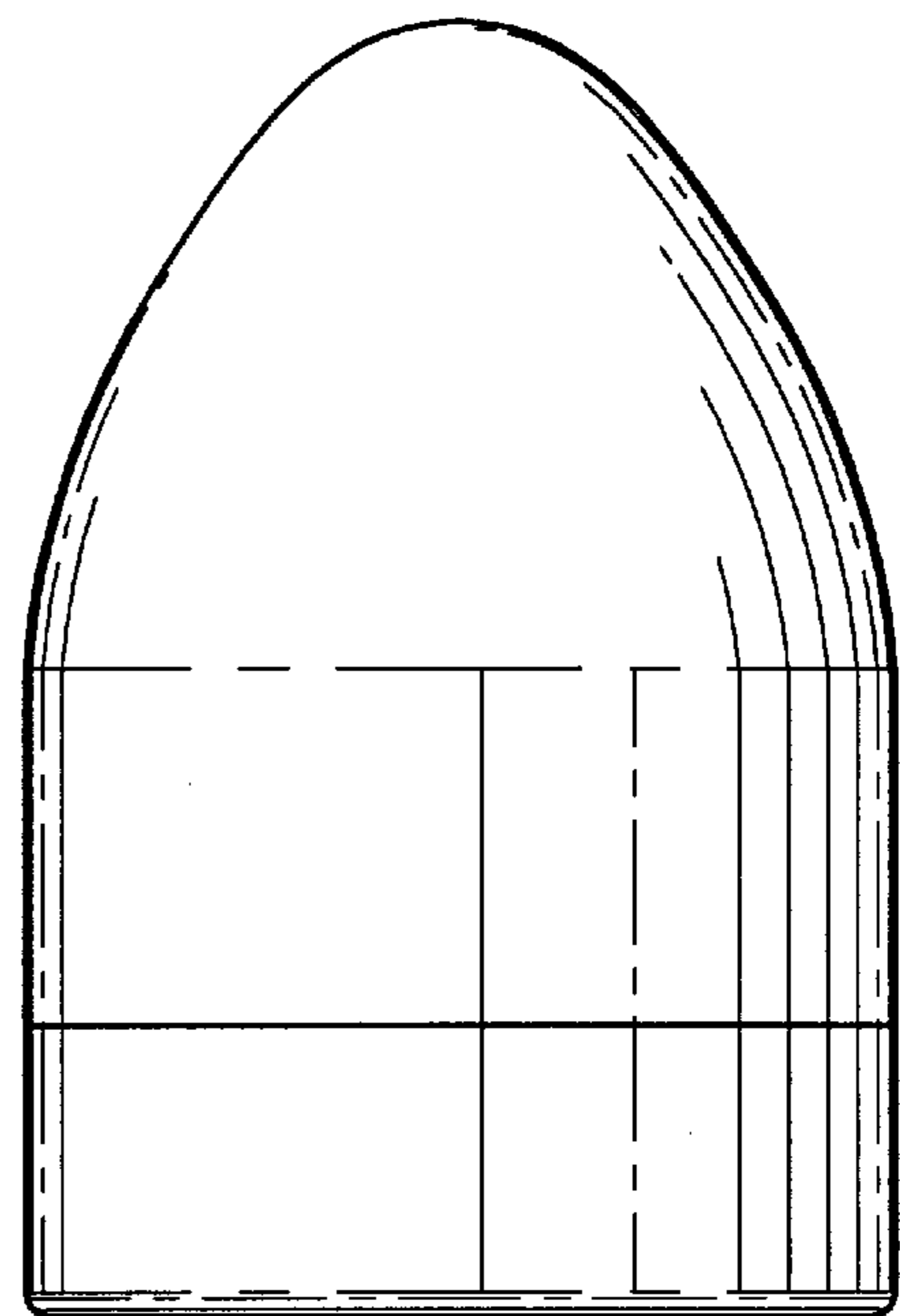


FIG. 2

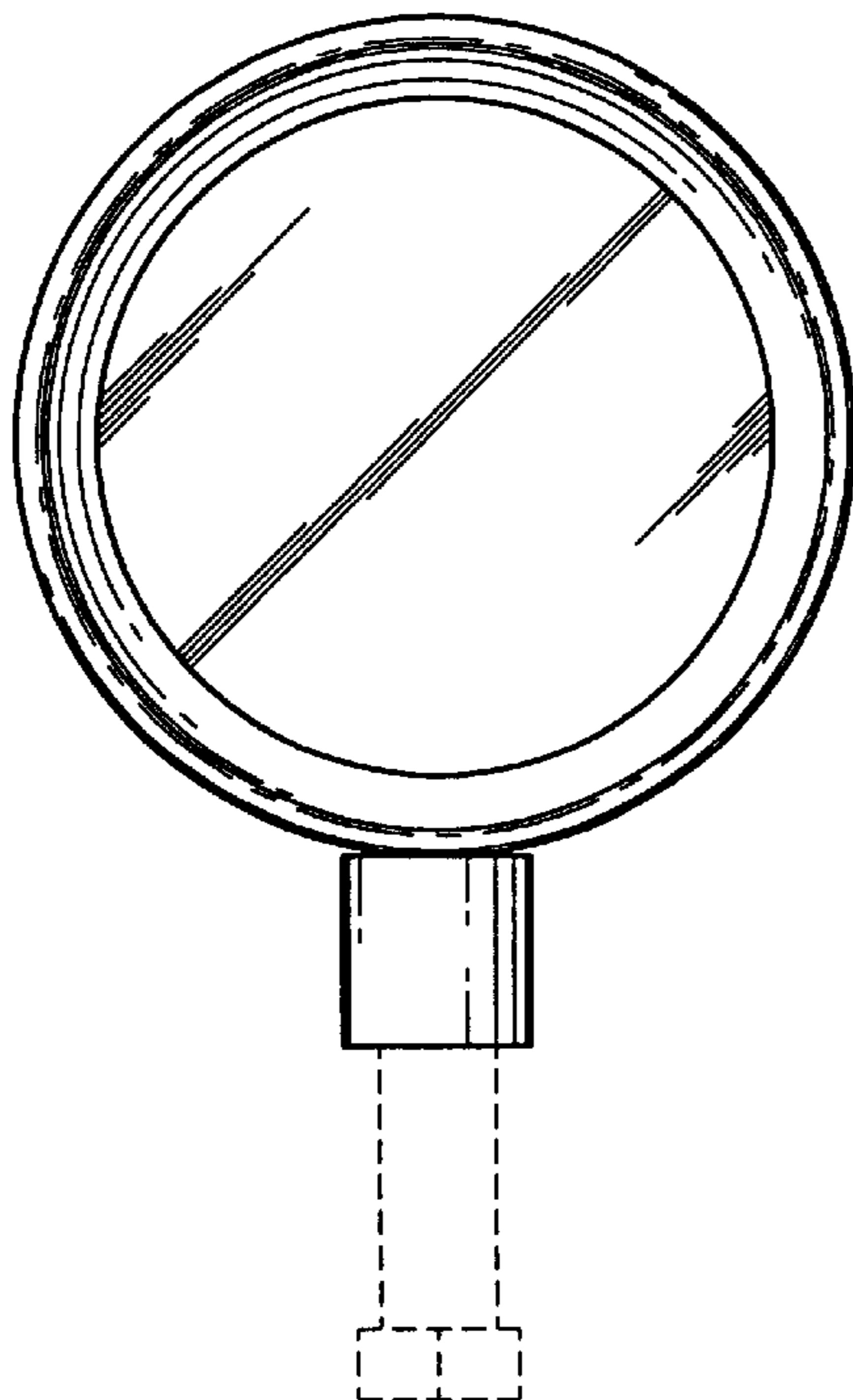


FIG. 3

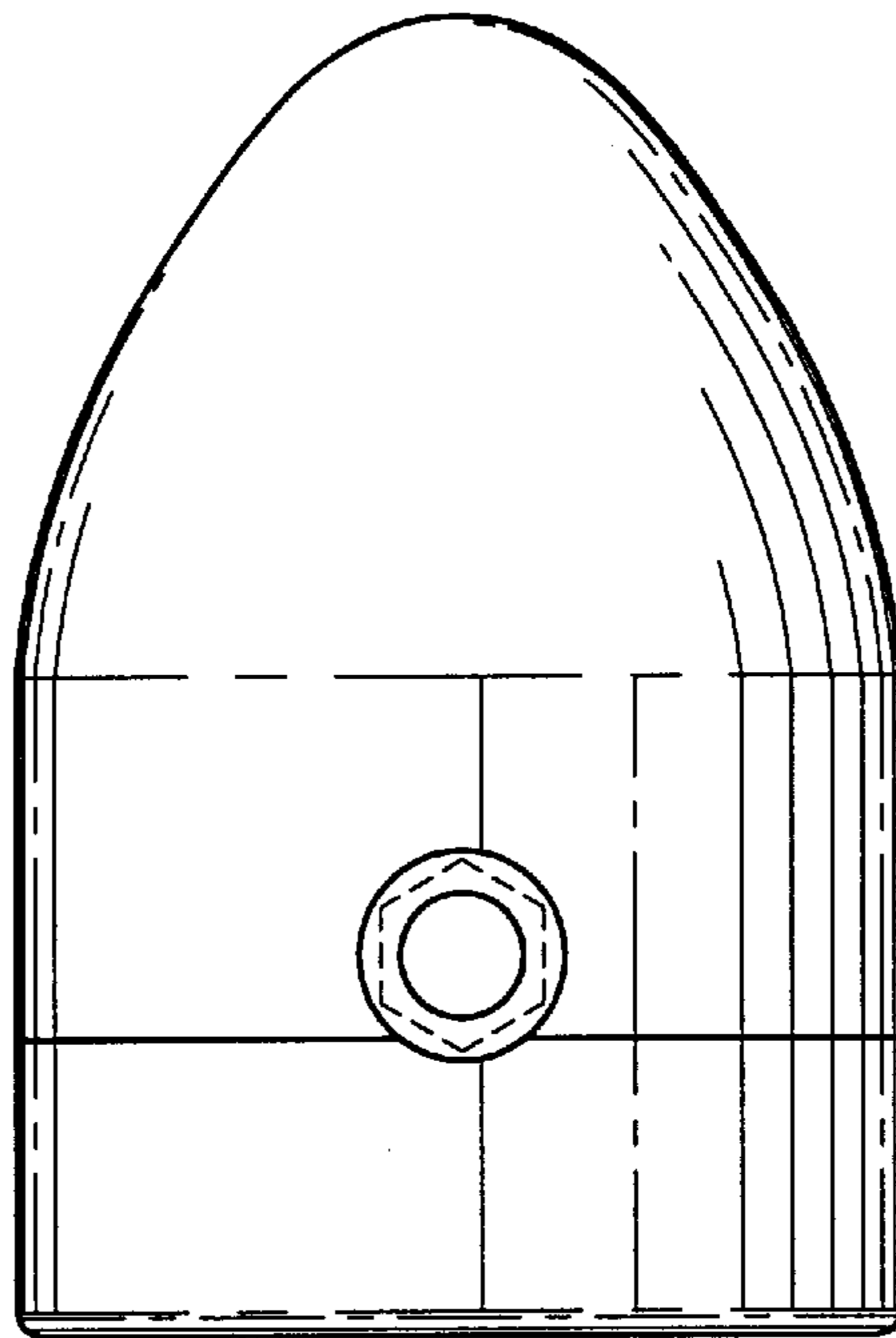


FIG. 4

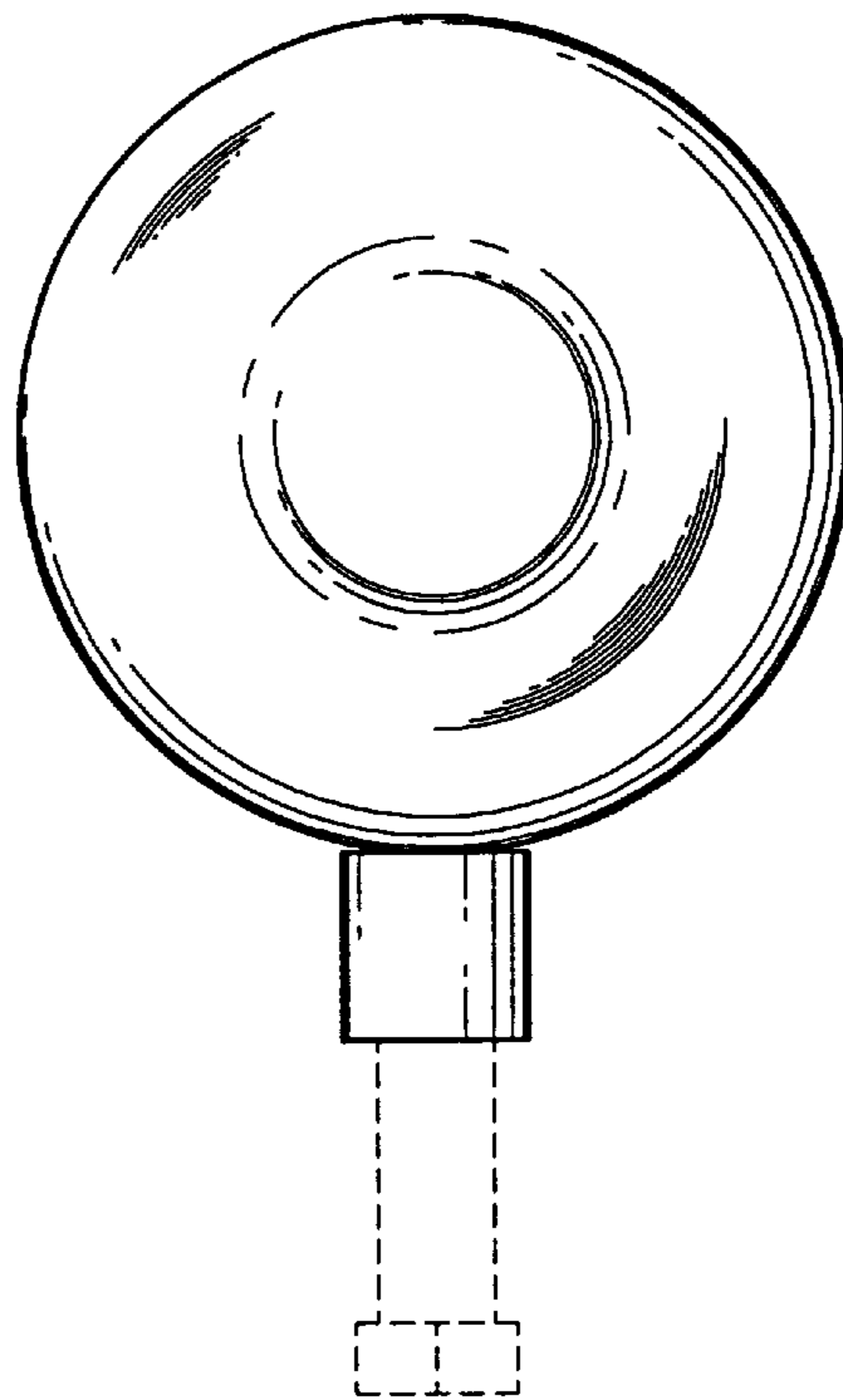


FIG. 5

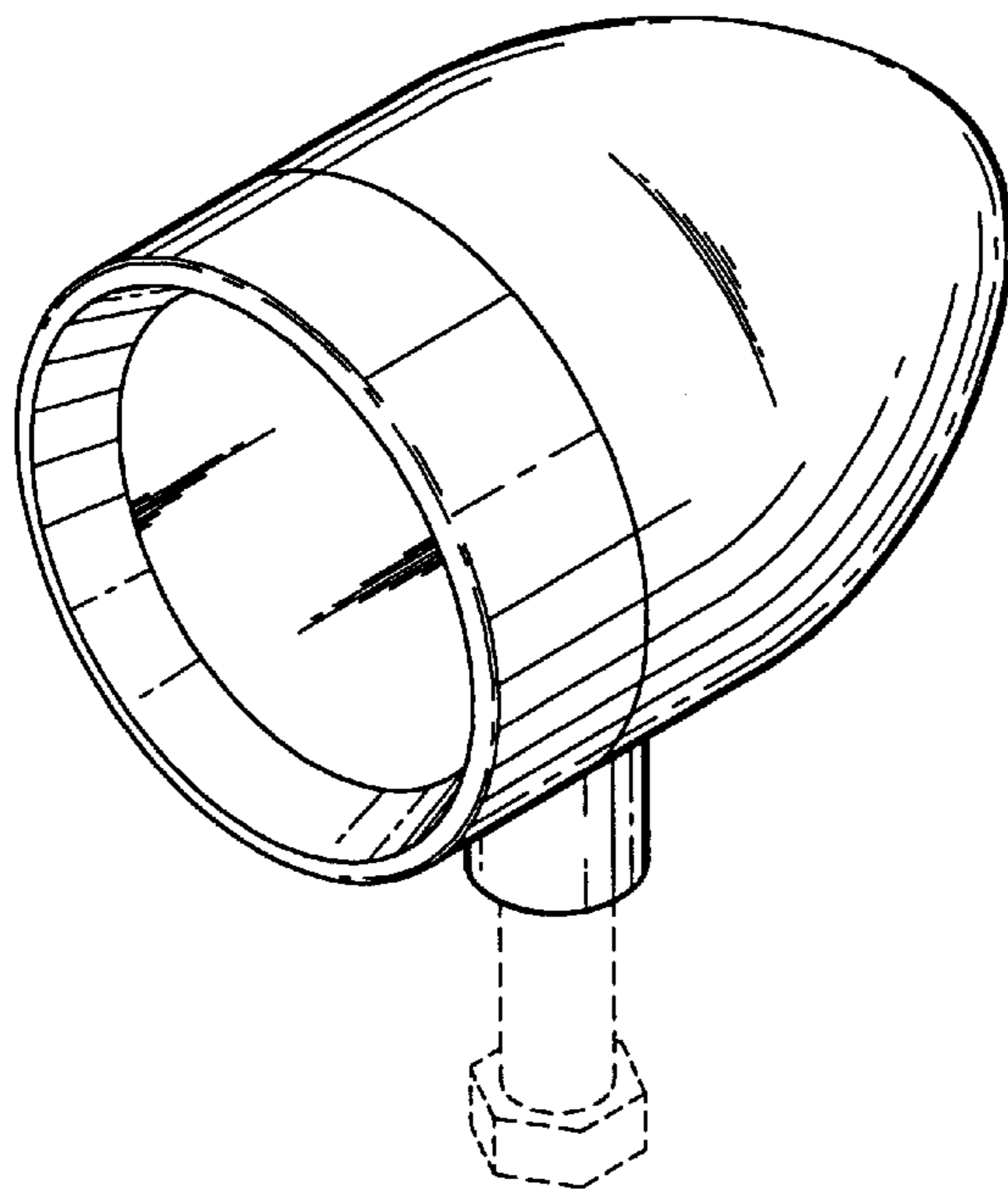


FIG. 6

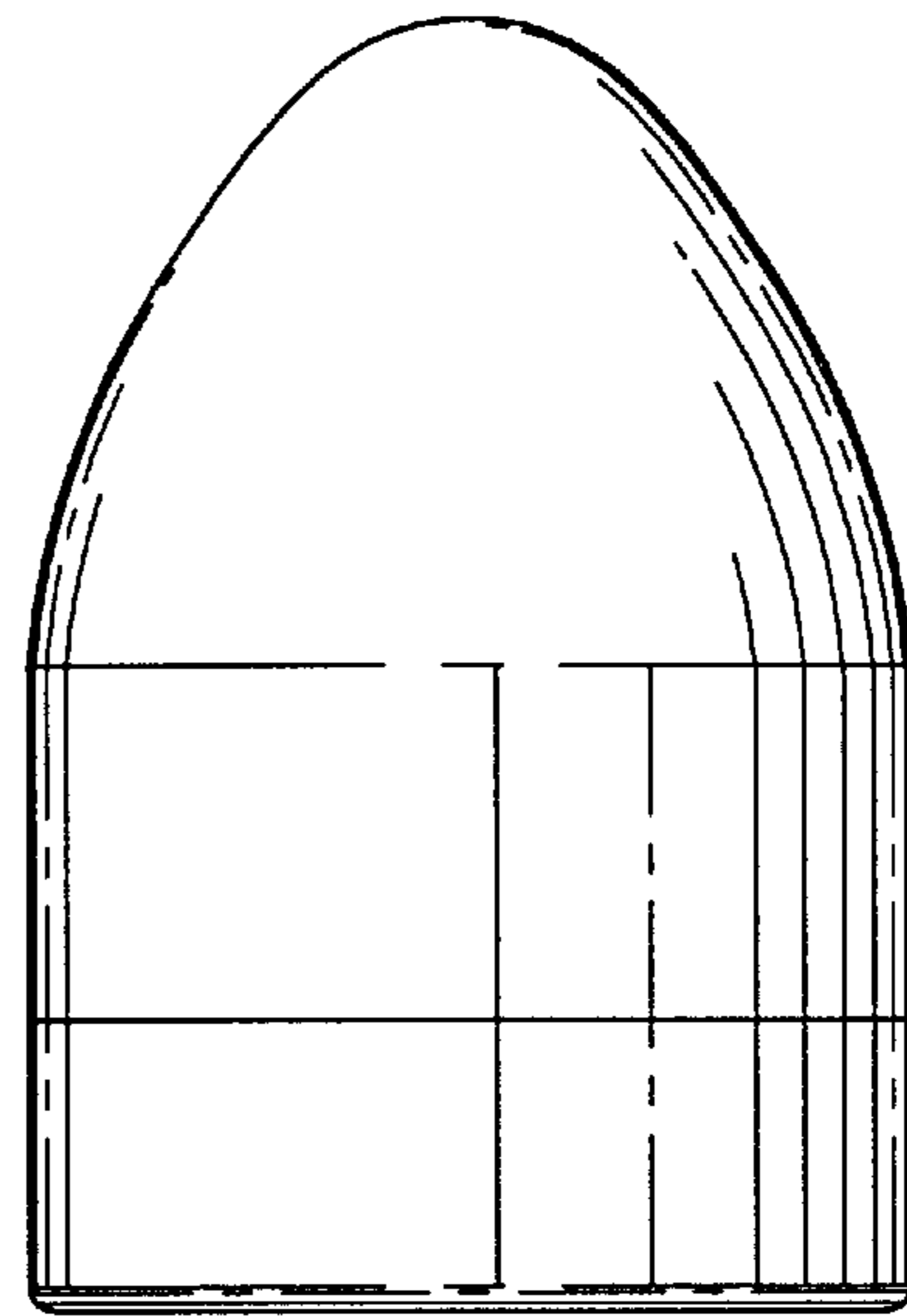


FIG. 7

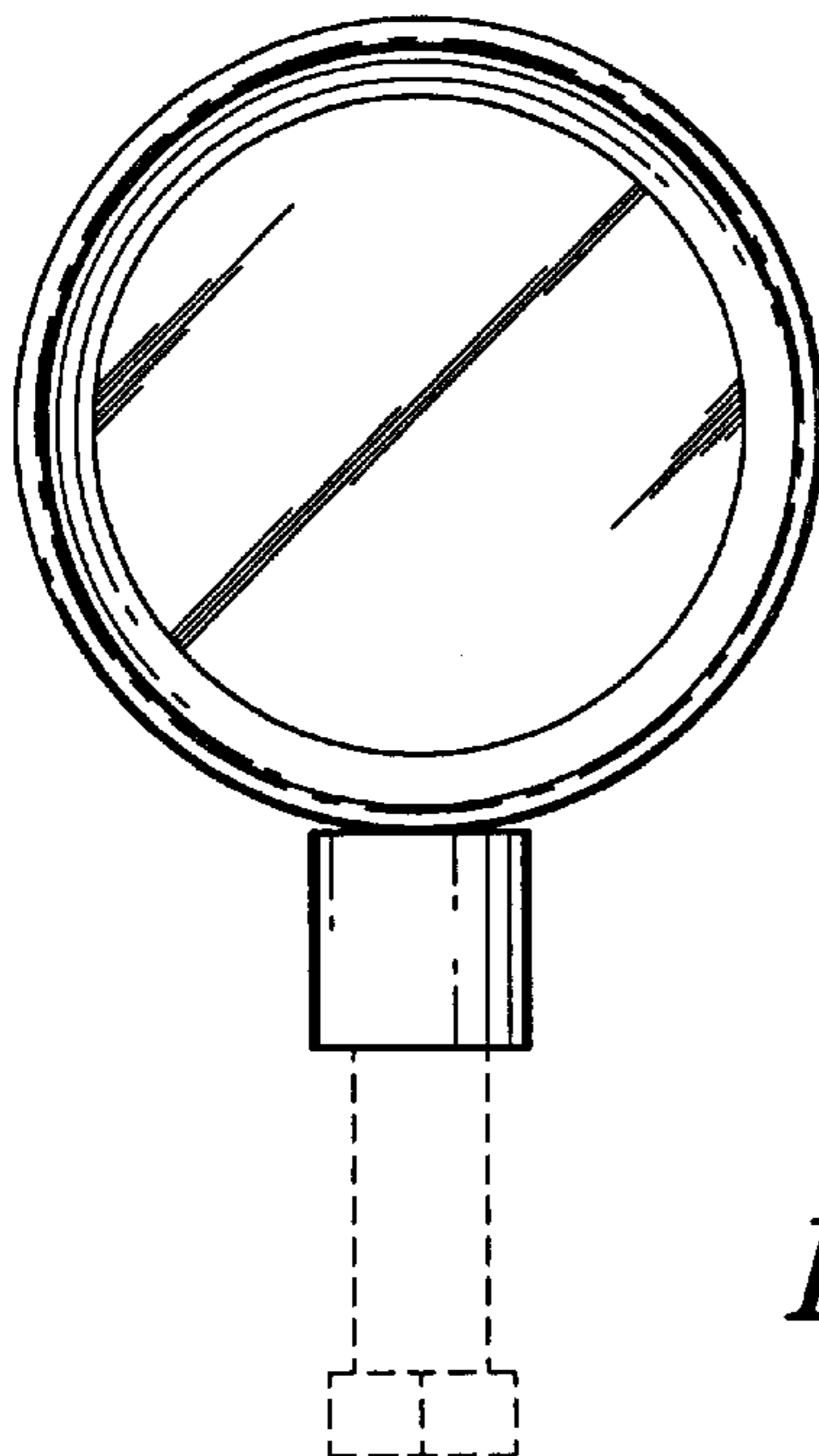


FIG. 8

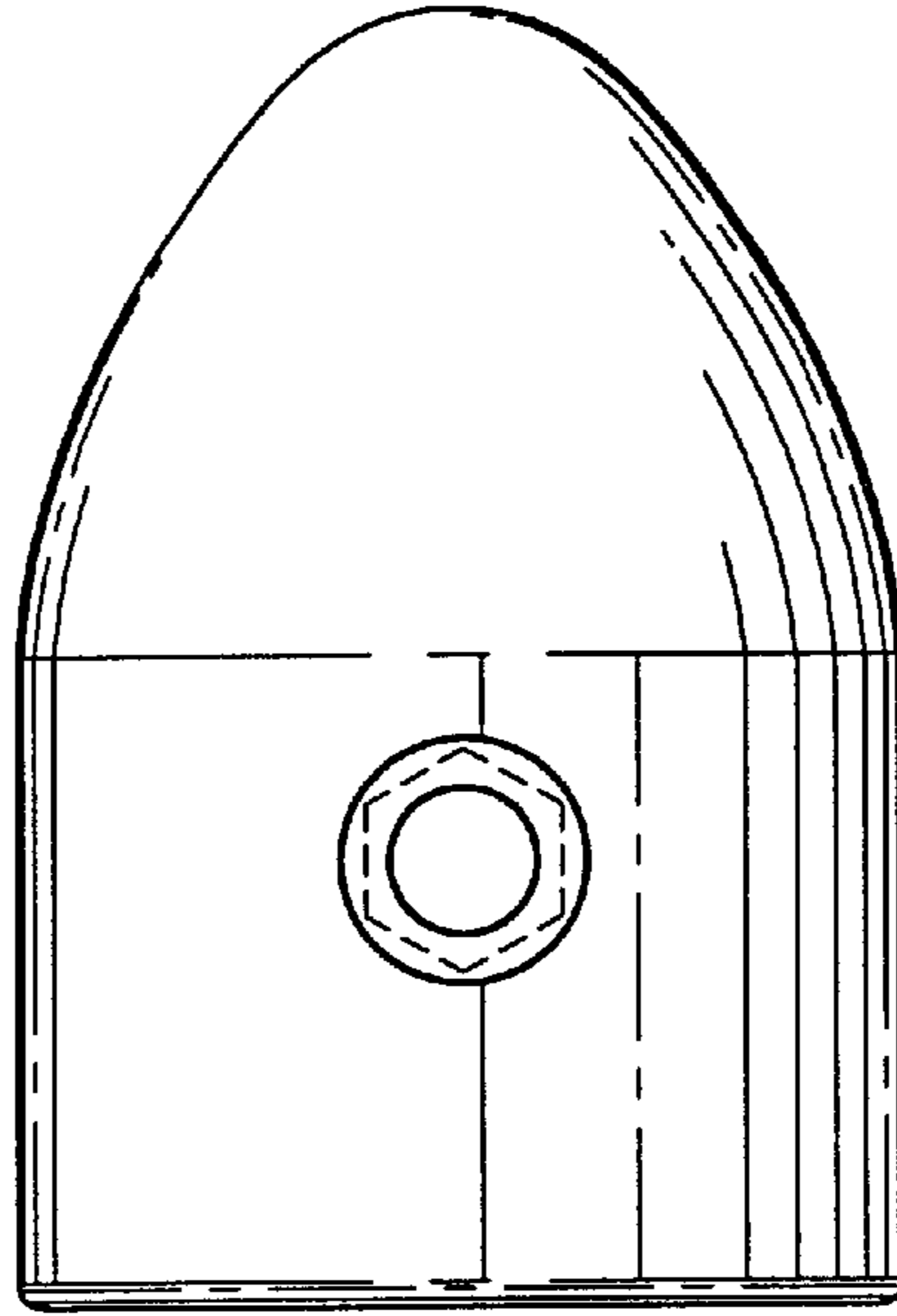


FIG. 9

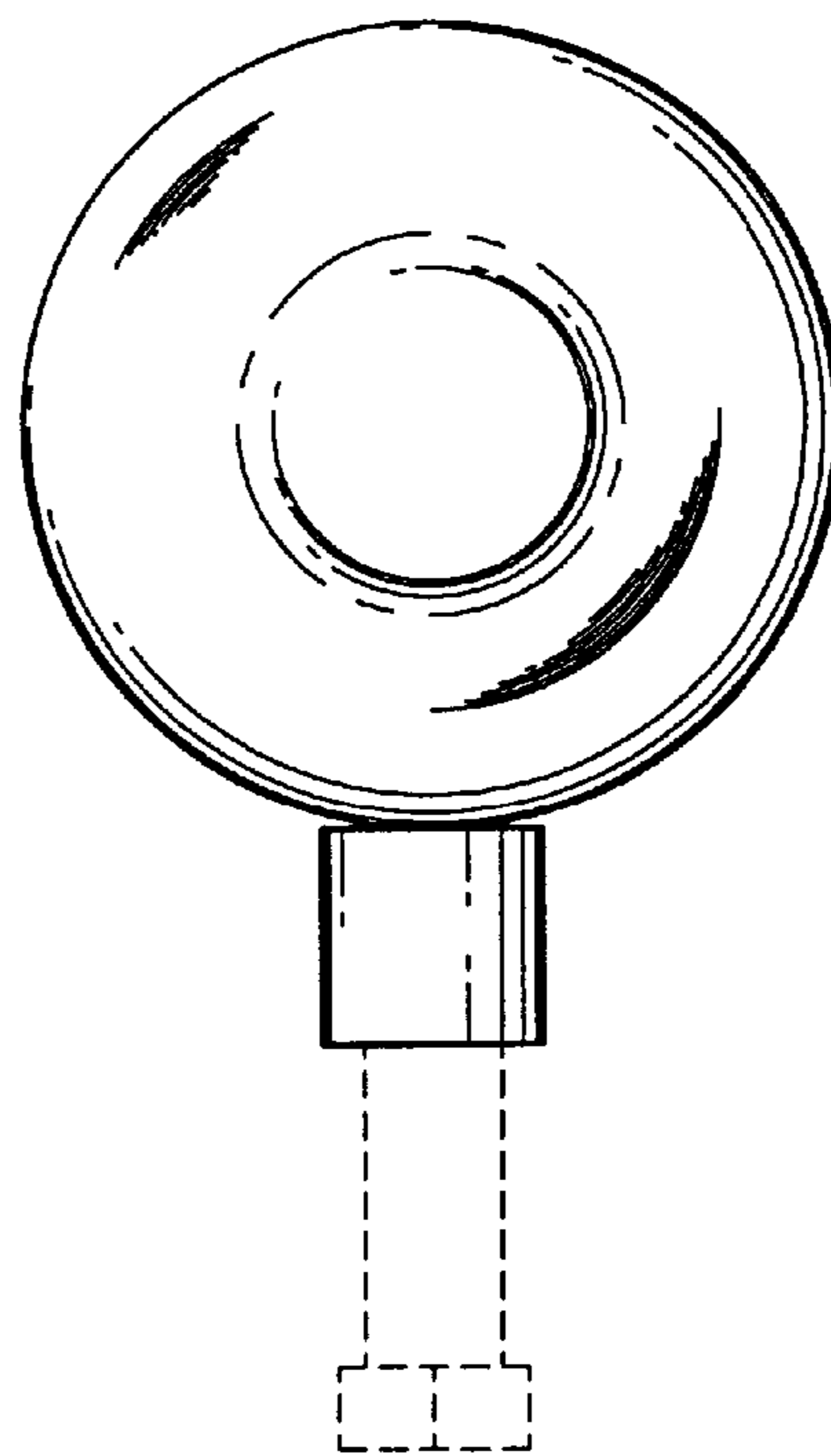


FIG. 10

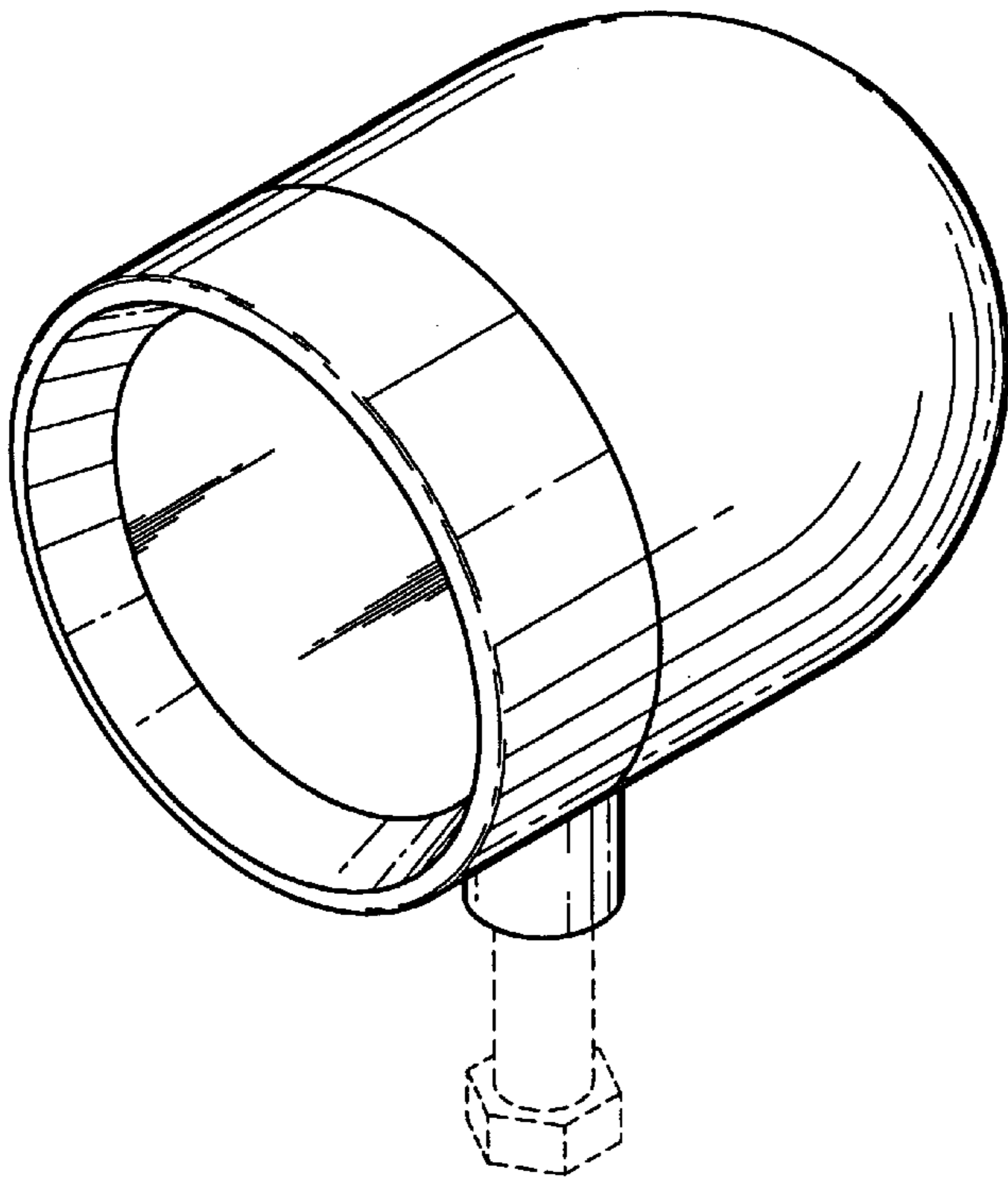


FIG. 11

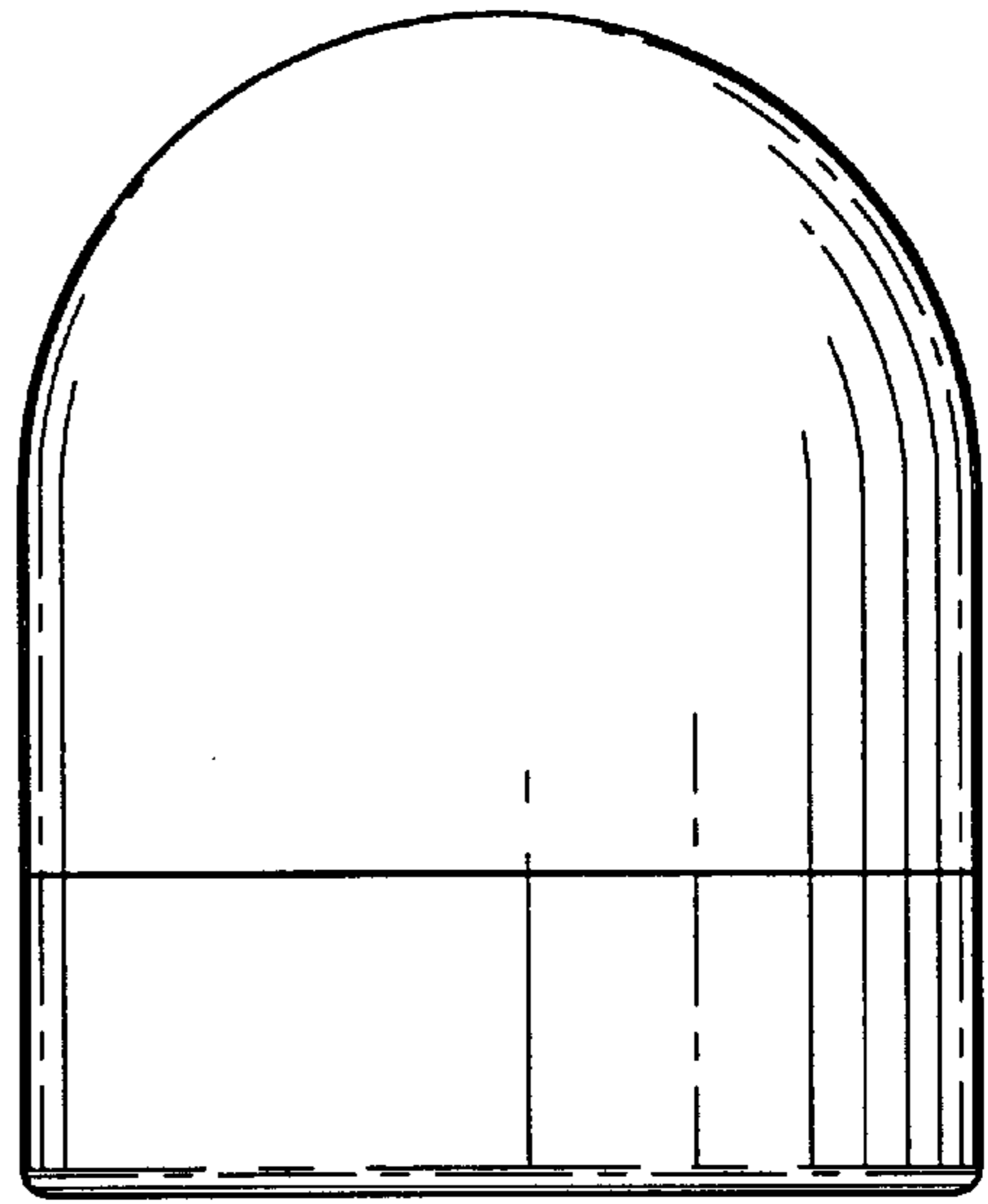


FIG. 12

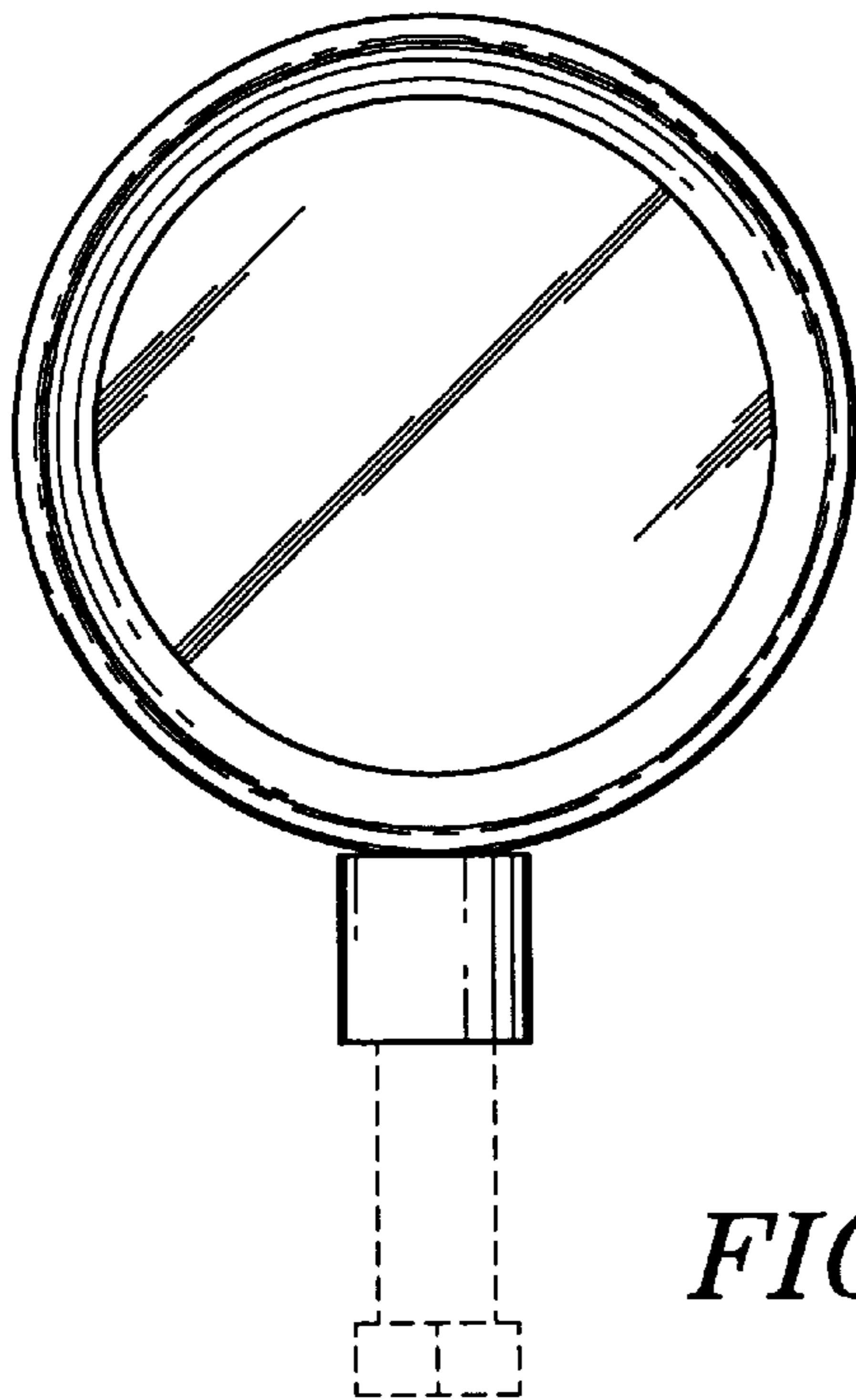


FIG. 13

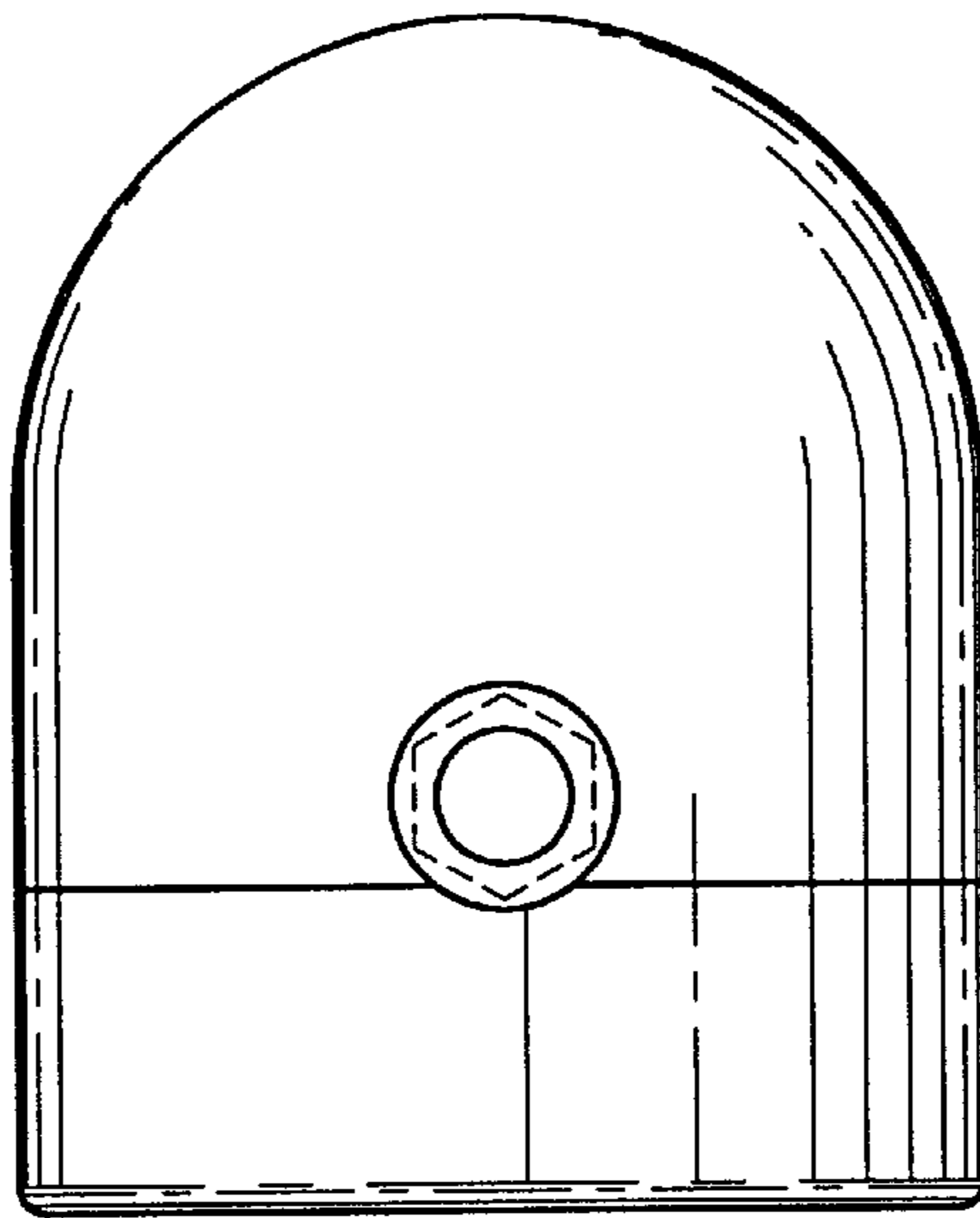


FIG. 14

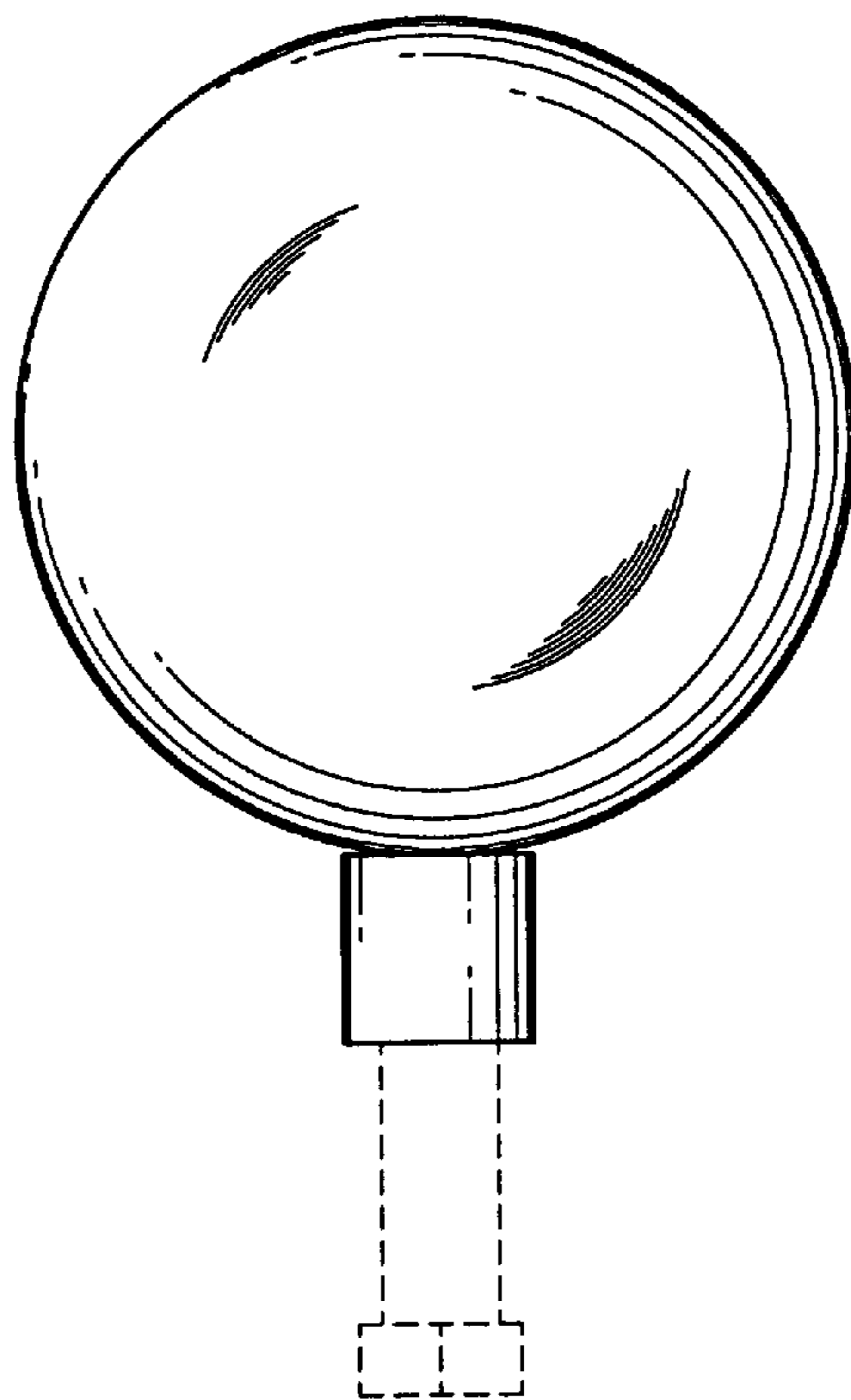


FIG. 15