



US00D440327S

(12) **United States Design Patent**
Keating et al.

(10) **Patent No.:** **US D440,327 S**

(45) **Date of Patent:** **** Apr. 10, 2001**

(54) **WALL PANEL**

4,878,329 11/1989 Pawski 52/245
4,917,543 4/1990 Cole et al. 256/73

(75) Inventors: **Stephen Keating**, Toronto; **Neal C. Gollob**, Waterloo, both of (CA)

* cited by examiner

(73) Assignee: **Roller Drome, LLC**, Las Vegas, NV (US)

Primary Examiner—Doris Clark

(74) *Attorney, Agent, or Firm*—Bereskin & Parr

(**) Term: **14 Years**

(57) **CLAIM**

The ornamental design for a wall panel, as shown and described.

(21) Appl. No.: **29/106,078**

(22) Filed: **Jun. 10, 1999**

DESCRIPTION

Related U.S. Application Data

(62) Division of application No. 29/092,633, filed on Aug. 2, 1998, which is a division of application No. 29/058,806, filed on Aug. 23, 1996.

FIG. 1 is a front perspective view of a wall panel in accordance with the present invention;
FIG. 2 is a rear view of the wall panel of FIG. 1;
FIG. 3 is a right side view of the wall panel of FIG. 1;
FIG. 4 is a bottom view of the wall panel of FIG. 1;
FIG. 5 is a top view of the wall panel of FIG. 1;
FIG. 6 is a rear perspective view of a second embodiment of a wall panel in accordance with the present invention;
FIG. 7 is a front view of the wall panel of FIG. 6;
FIG. 8 is a left side view of the wall panel of FIG. 6;
FIG. 9 is a bottom view of the wall panel of FIG. 6;
FIG. 10 is a top view of the wall panel of FIG. 6;
FIG. 11 is a rear perspective view of a third embodiment of a wall panel in accordance with the present invention;
FIG. 12 is a front view of the wall panel of FIG. 11;
FIG. 13 is a left side view of the wall panel of FIG. 11;
FIG. 14 is a bottom view of the wall panel of FIG. 11; and,
FIG. 15 is a front view of the wall panel of FIG. 11.

(30) **Foreign Application Priority Data**

Feb. 23, 1996 (CA) 1996-0408

(51) **LOC (7) Cl.** **25-01**

(52) **U.S. Cl.** **D25/138**

(58) **Field of Search** D25/138, 58, 152, D25/156; D6/332; 52/782.1, 245, 582.1, 578, 783.1, 591.4, 590.1, 590.2; 405/262; 256/24, 73

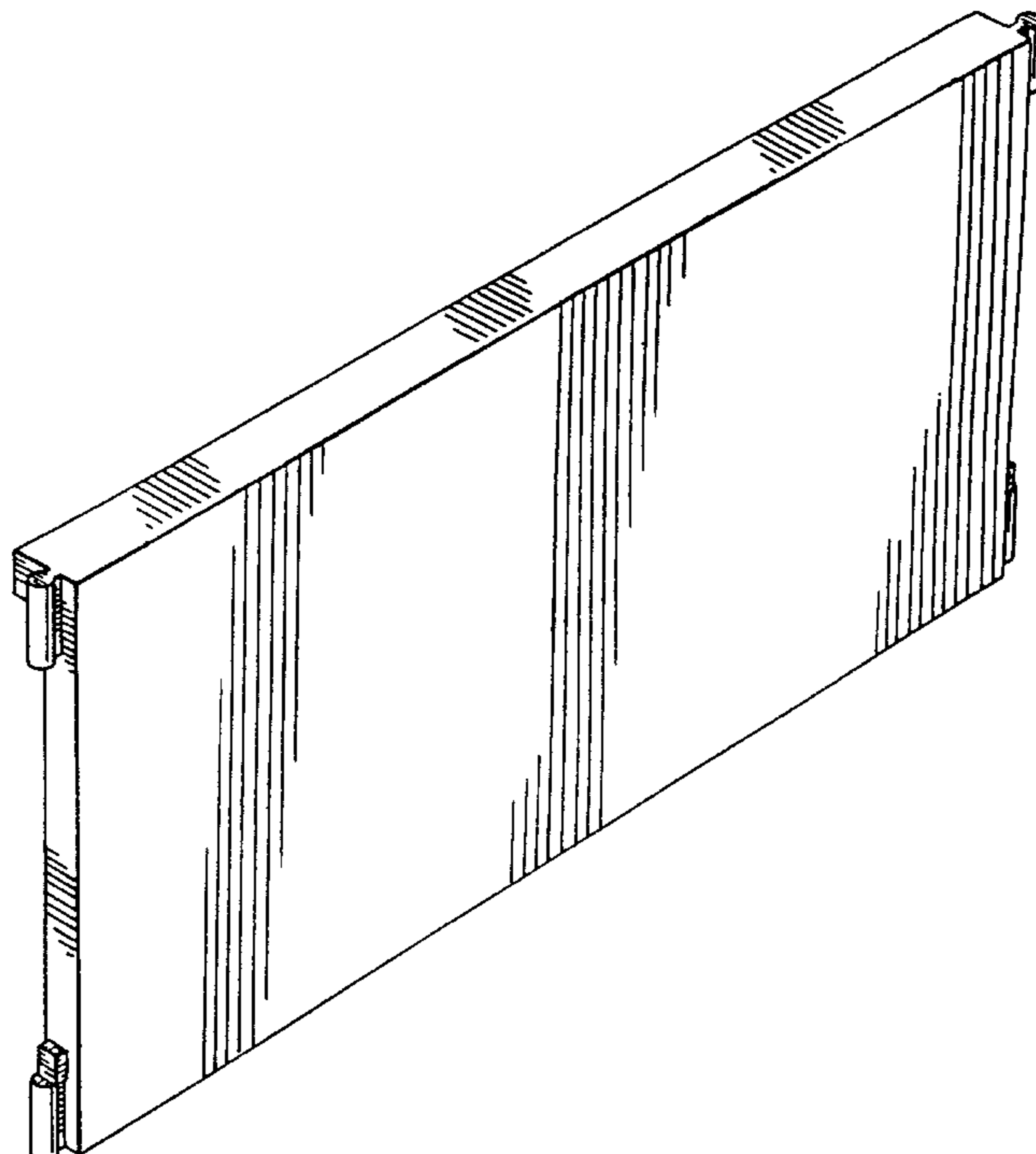
The dotted lines showing of support braces and adjacent wall panels is provided for environmental purposes only and forms no part of the claimed design.

(56) **References Cited**

U.S. PATENT DOCUMENTS

D. 349,608 8/1994 Savoie D25/138
D. 349,738 8/1994 Naegele, III et al. D21/199
D. 373,836 * 9/1996 Bado et al. D25/138
4,798,499 1/1989 Yamada 405/262

1 Claim, 8 Drawing Sheets



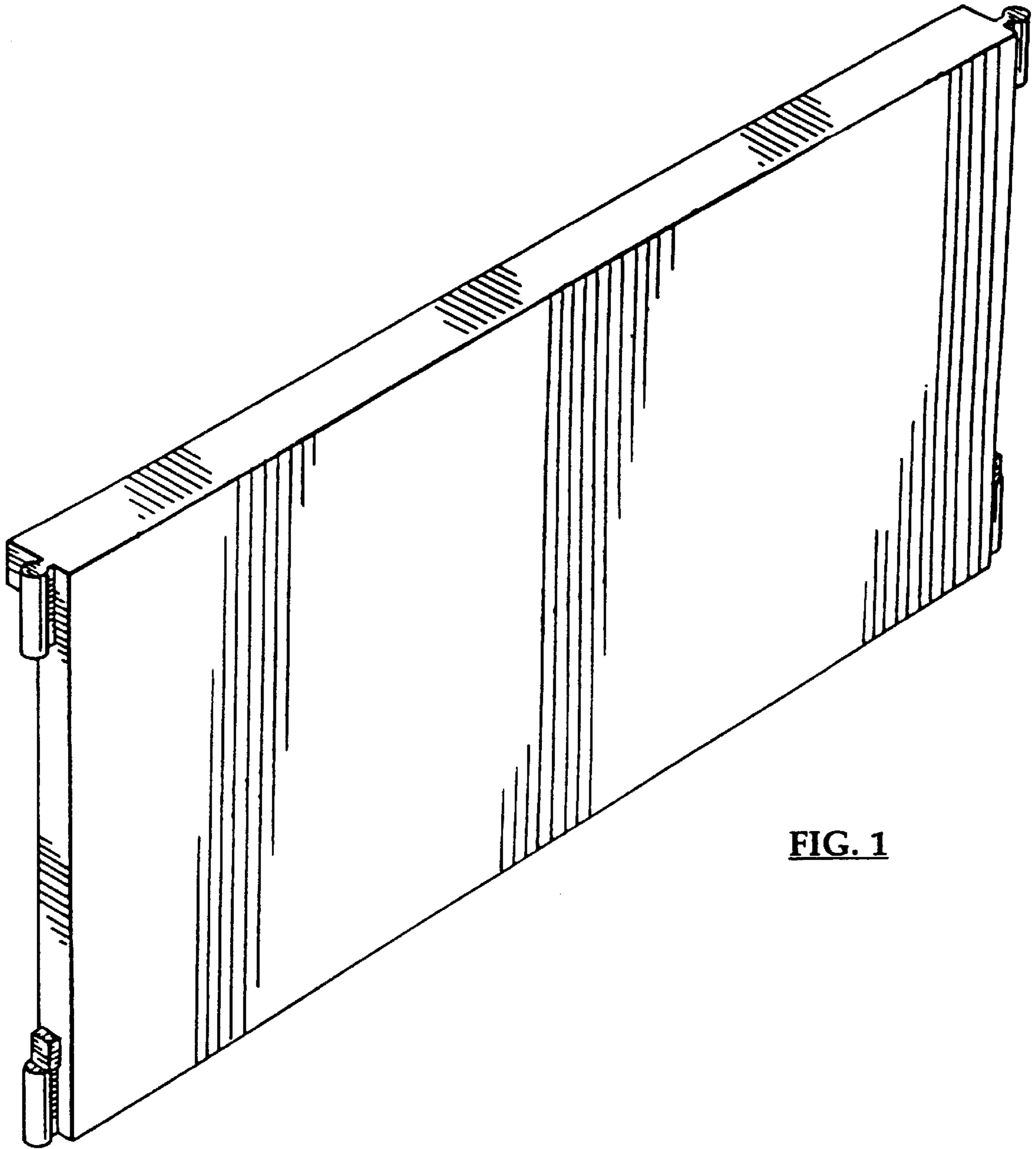


FIG. 1

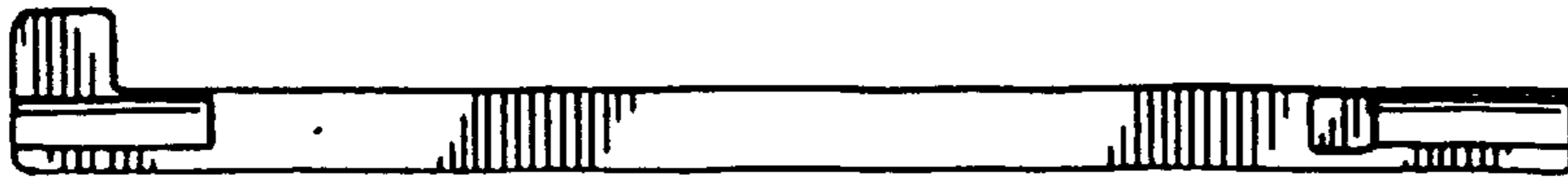


FIG. 3

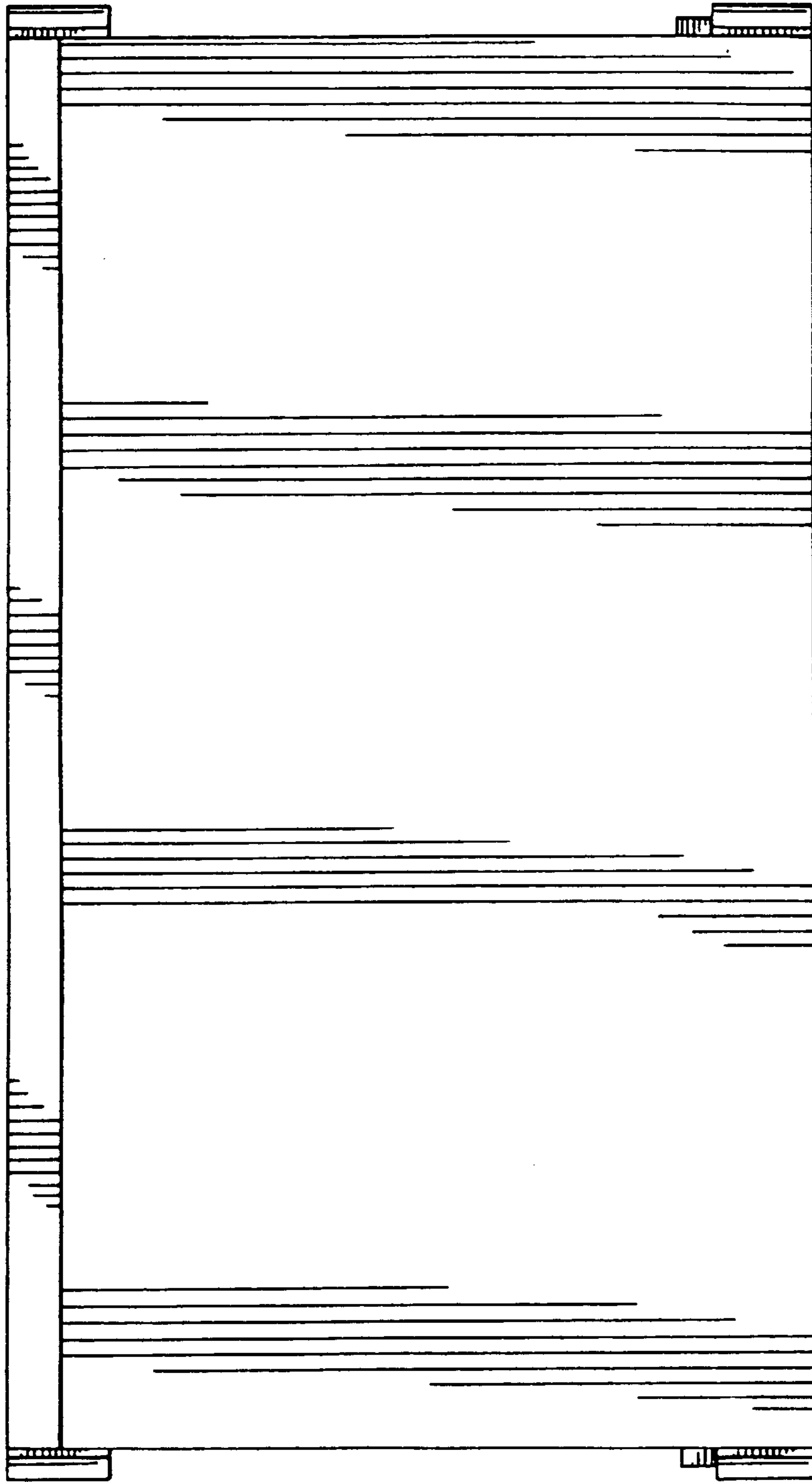


FIG. 2

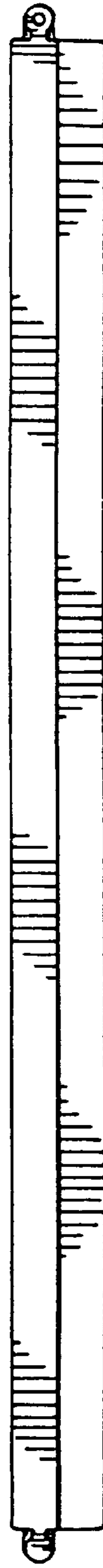


FIG. 4

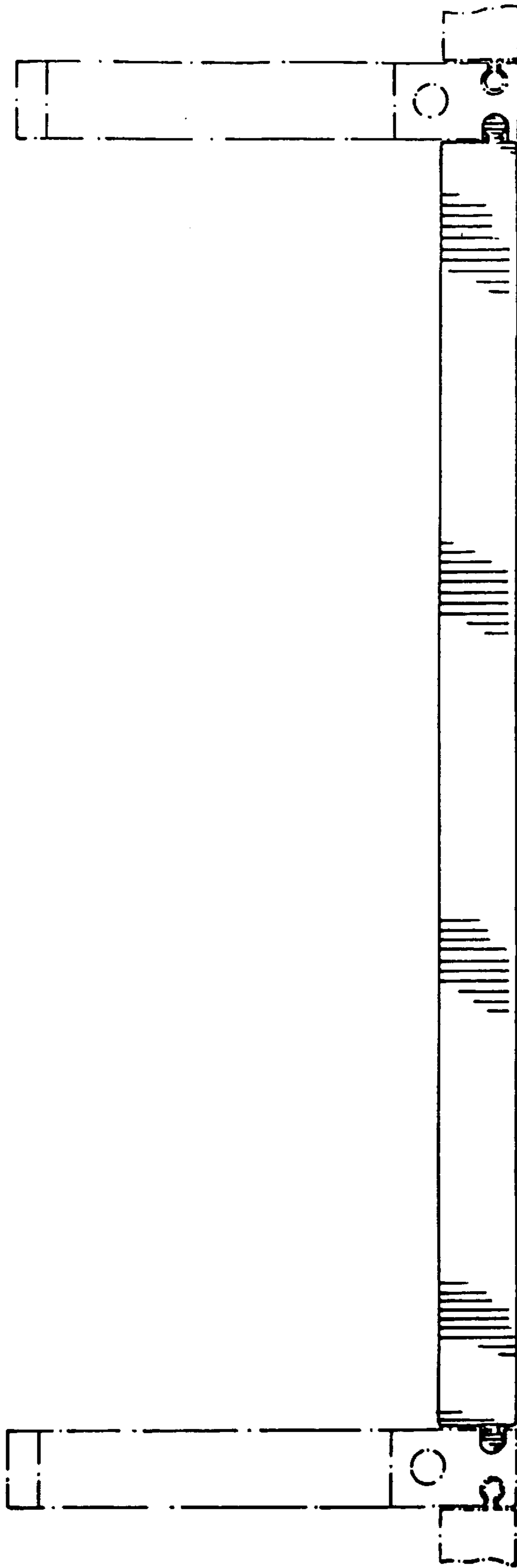


FIG. 5

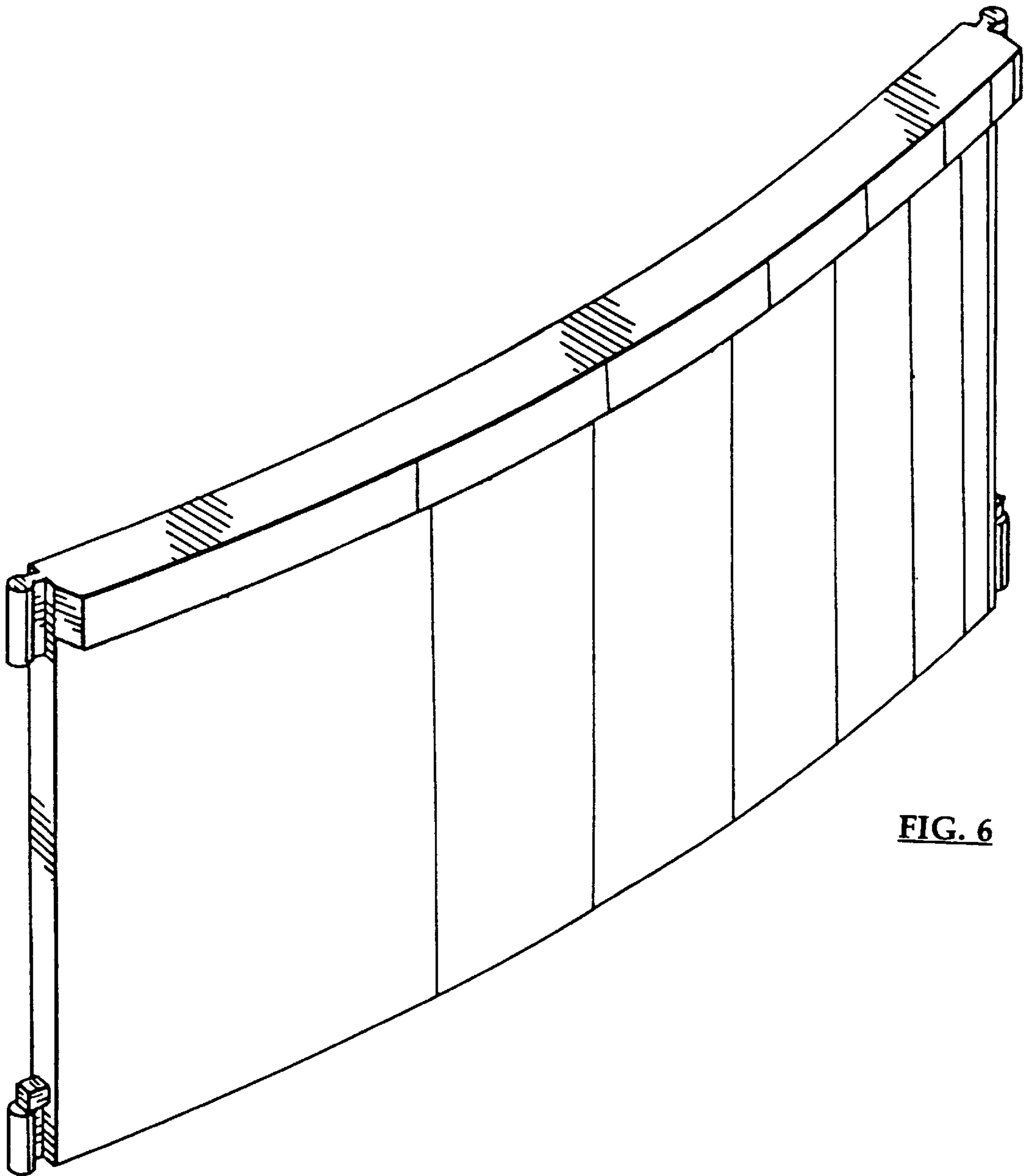


FIG. 6

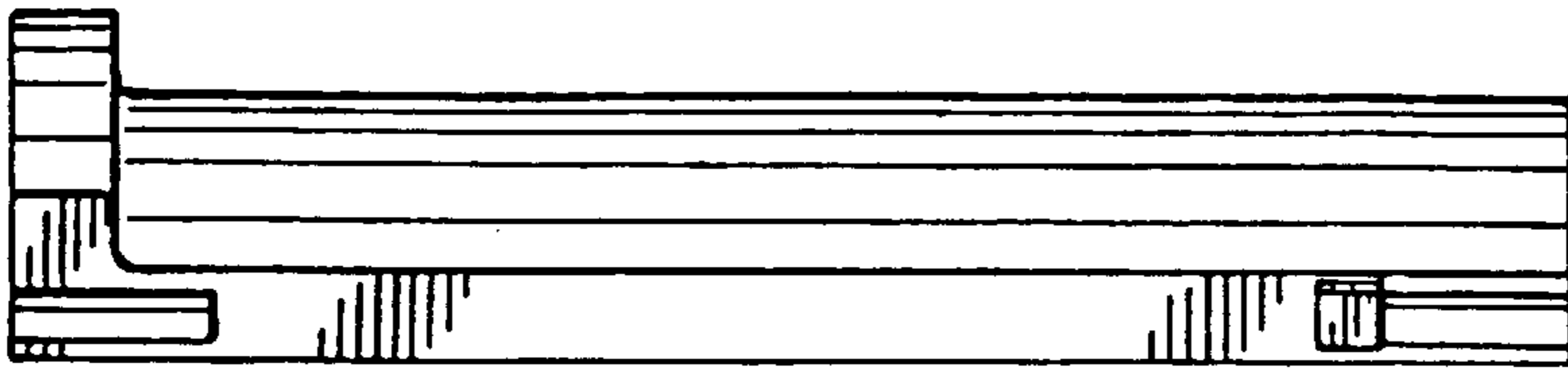


FIG. 8

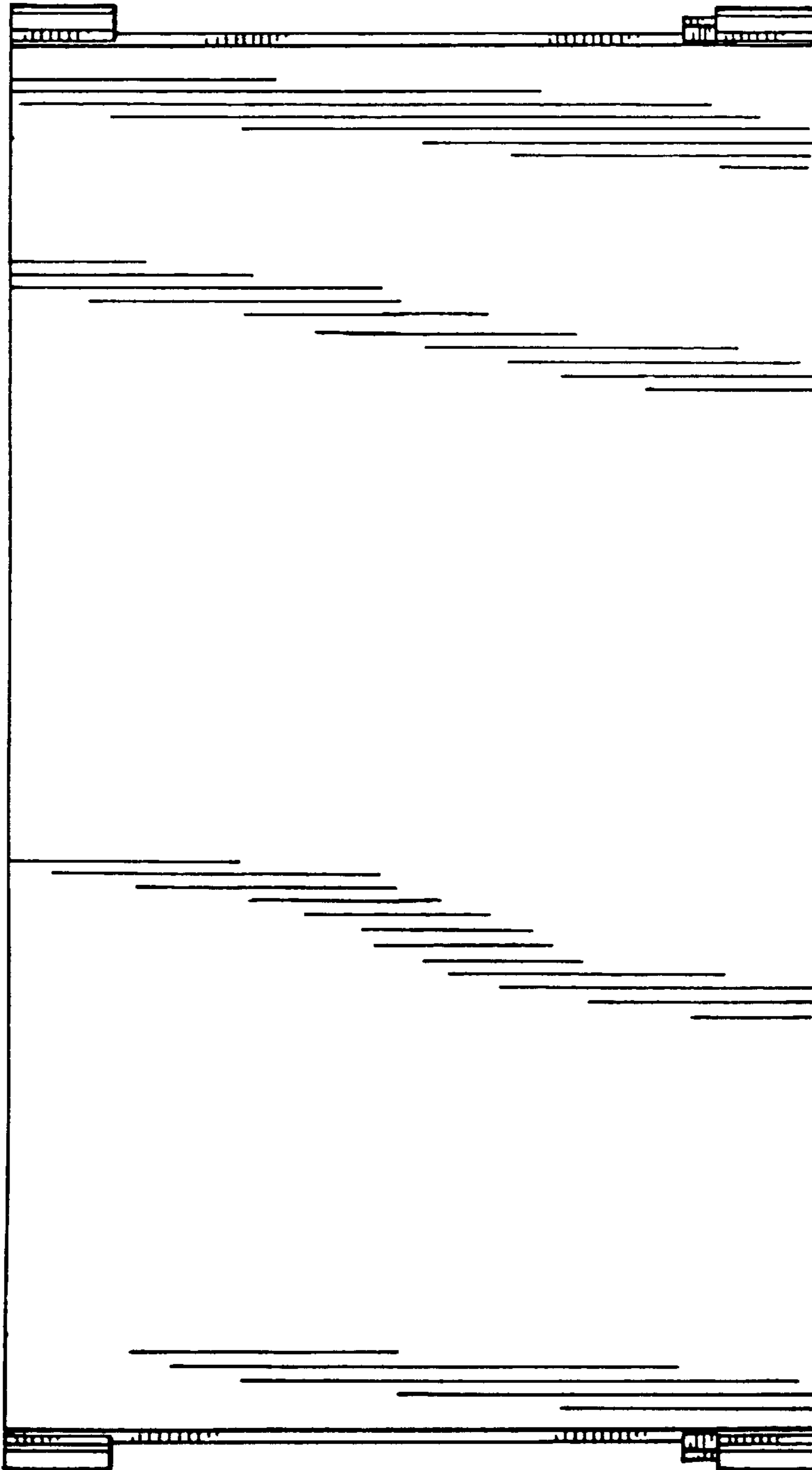


FIG. 7

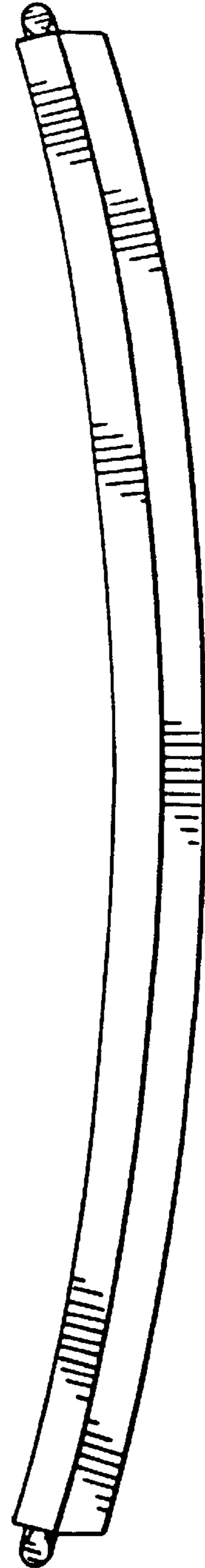


FIG. 9

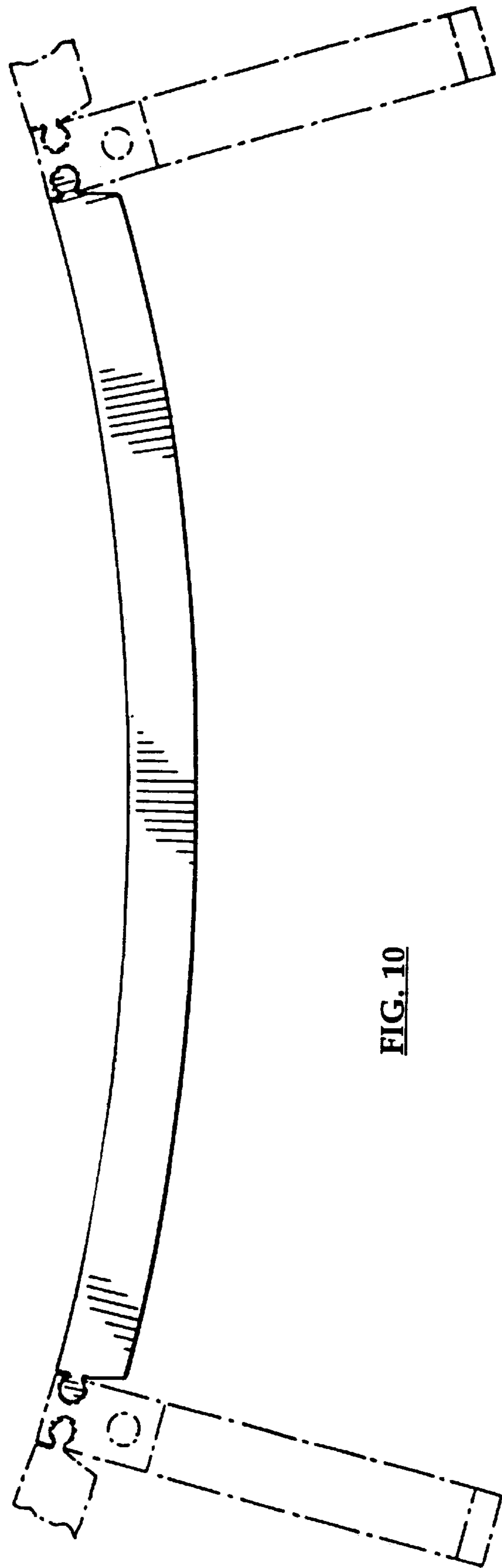


FIG. 10

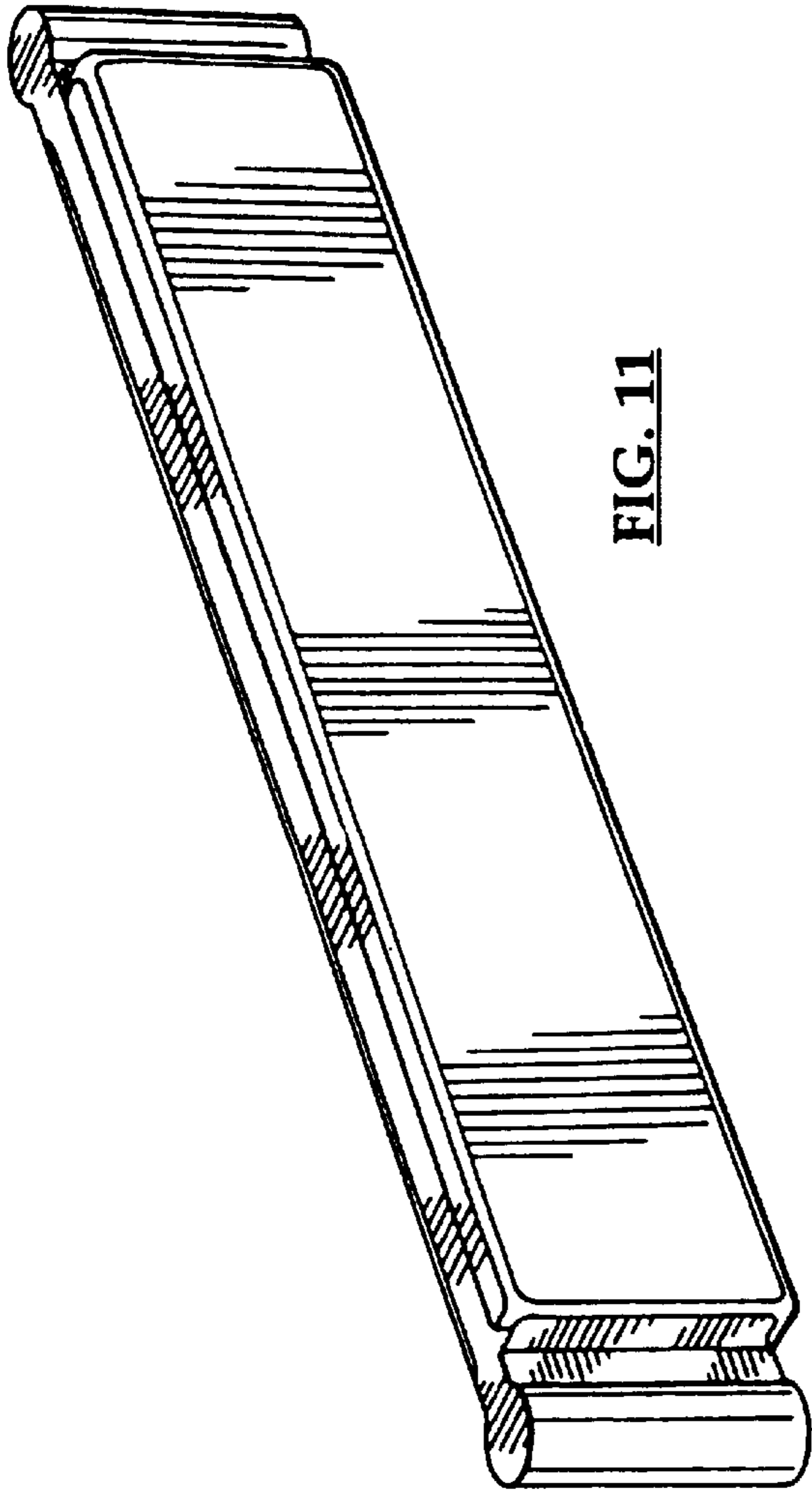


FIG. 11

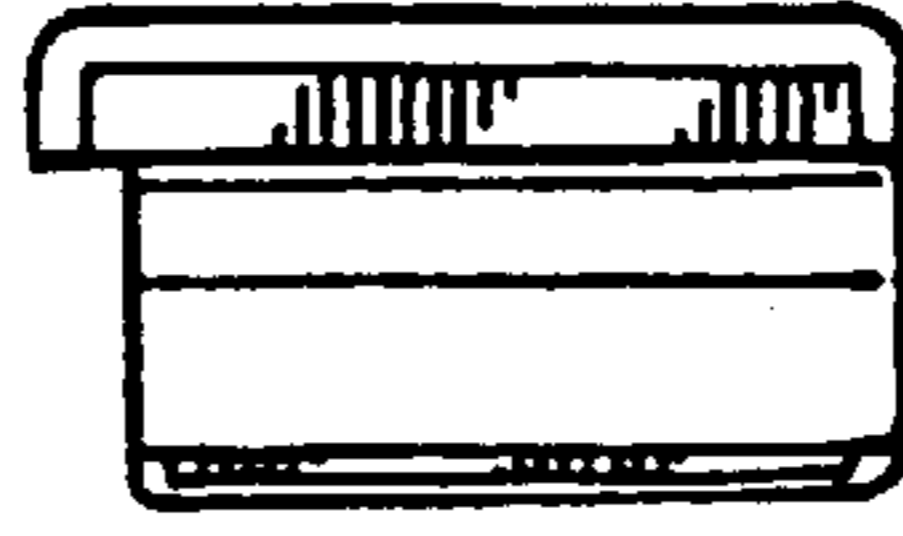


FIG. 13

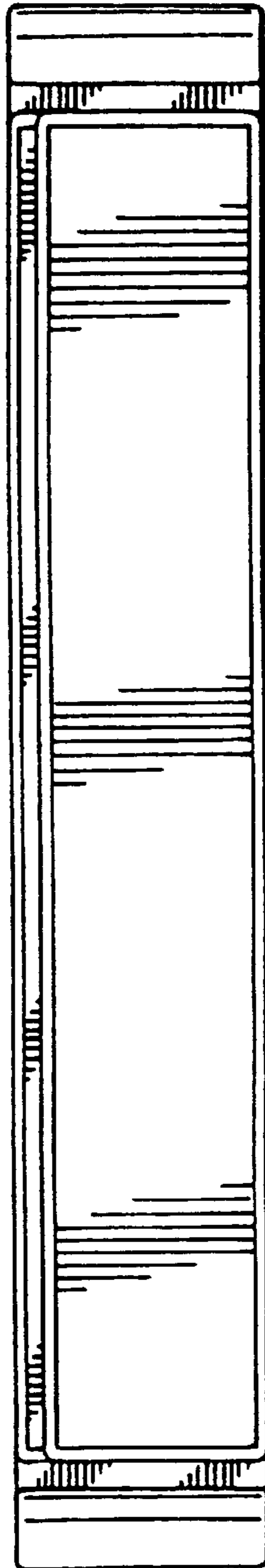


FIG. 12

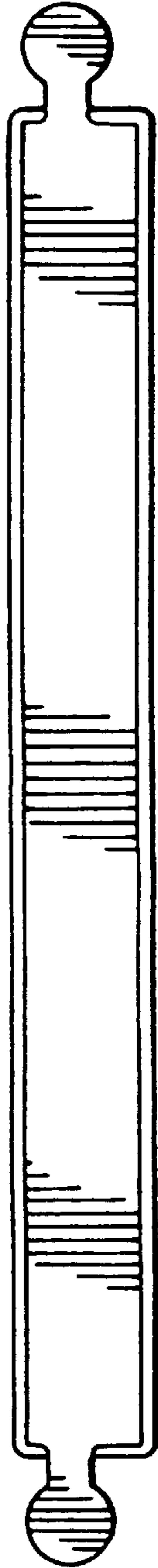


FIG. 14

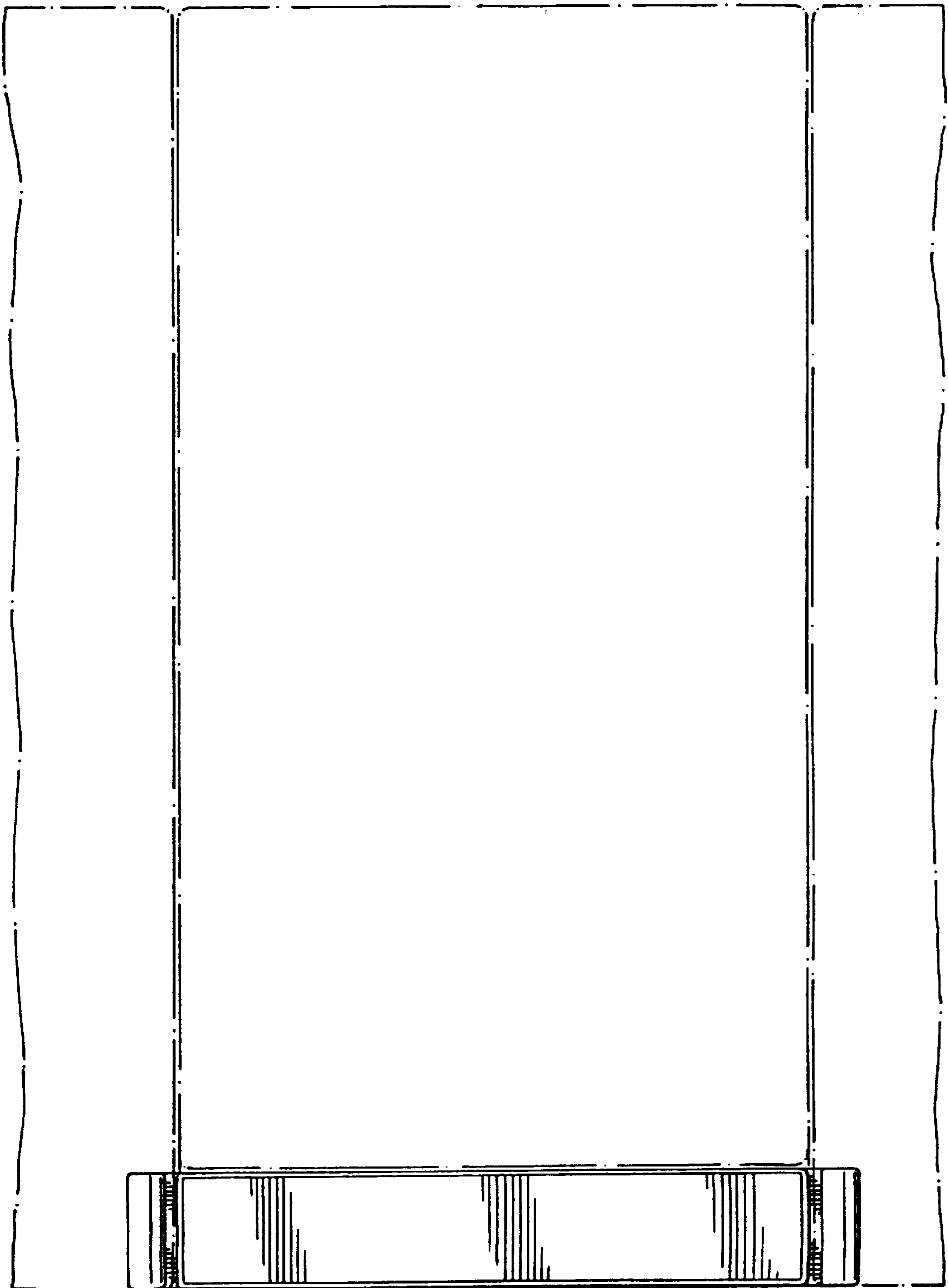


FIG. 15