



US00D440325S

(12) **United States Design Patent**  
**Habeck et al.**

(10) **Patent No.:** **US D440,325 S**

(45) **Date of Patent:** **\*\* \*Apr. 10, 2001**

(54) **SMALL SASH RAIL FOR WINDOW**

(75) **Inventors:** **Jerome Carl Habeck**, Holt; **Dennis C. Westphal**, Parma, both of MI (US); **David S. Levine**, King of Prussia; **Stanley Gursky**, Yardley, both of PA (US)

(73) **Assignee:** **CertainTeed Corp.**, Valley Forge, PA (US)

(\* ) **Notice:** This patent is subject to a terminal disclaimer.

(\*\* ) **Term:** **14 Years**

(21) **Appl. No.:** **29/124,713**

(22) **Filed:** **Jun. 9, 2000**

(51) **LOC (7) Cl.** ..... **25-01**

(52) **U.S. Cl.** ..... **D25/124**

(58) **Field of Search** ..... D25/52, 60, 119-125; 49/DIG. 2, 504, 505, 404, 413, 419, 407-408; 52/204.56, 204.51, 230.3, 205.1, 202, 730.5, 731, 732, 738, 204.5

(56) **References Cited**

**U.S. PATENT DOCUMENTS**

- D. 308,103 \* 5/1990 Westphal et al. .... D25/124
- D. 402,050 \* 12/1998 Leonelli ..... D25/124
- D. 402,057 \* 12/1998 Leonelli ..... D25/124

\* cited by examiner

*Primary Examiner*—Doris Clark

(74) *Attorney, Agent, or Firm*—Duane Morris & Heckscher LLP

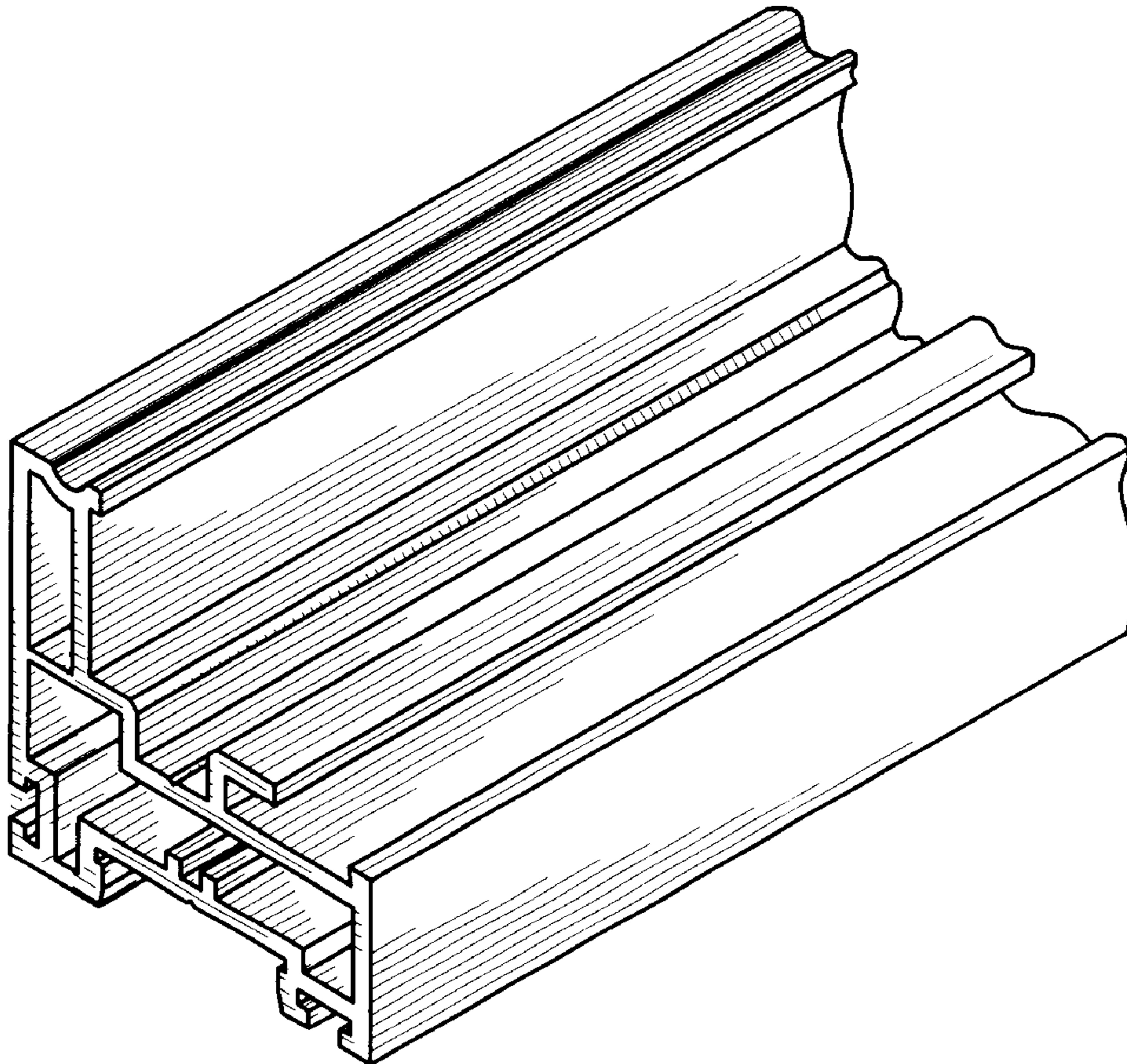
(57) **CLAIM**

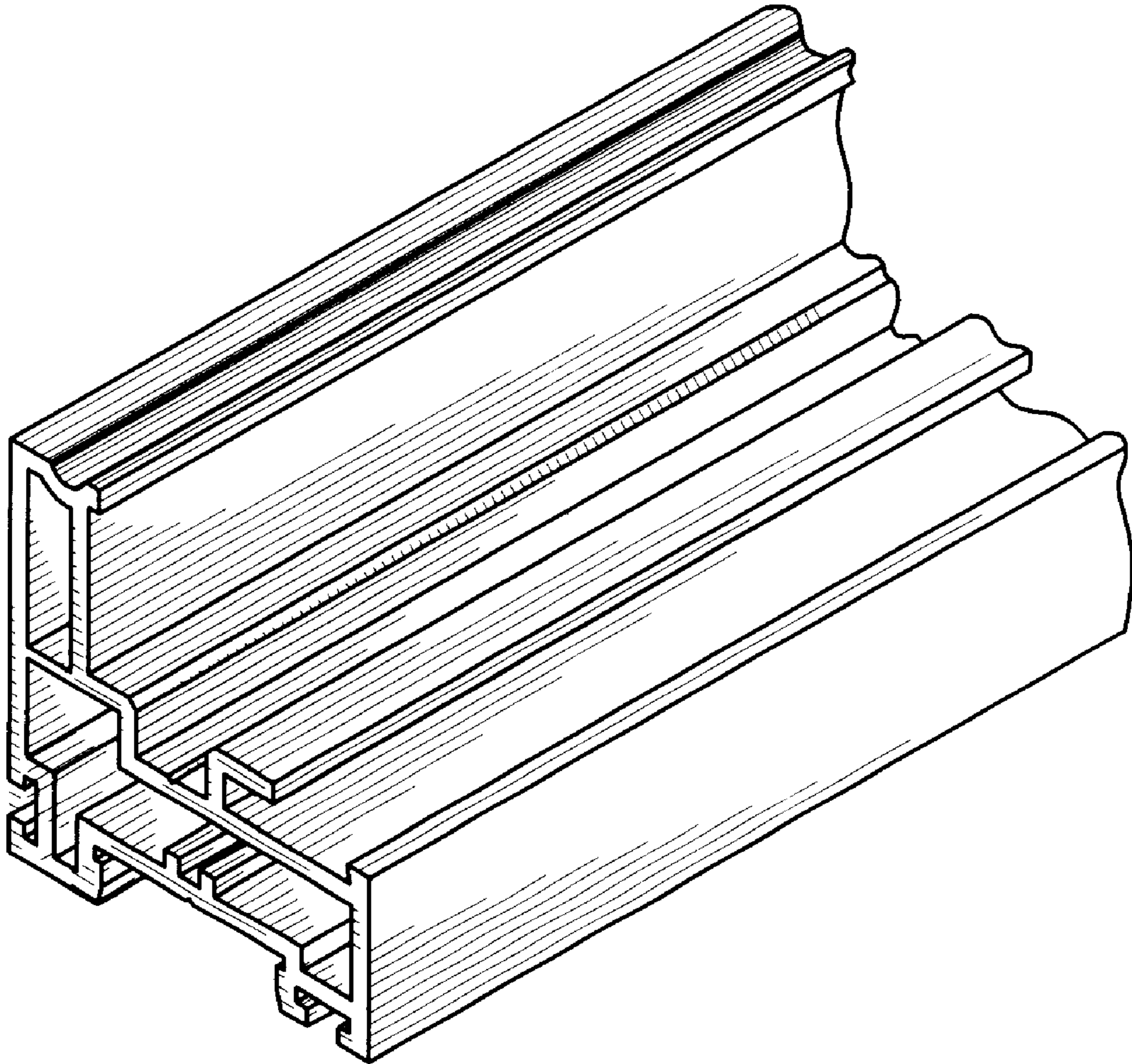
The ornamental design for a small sash rail for window, as shown and described.

**DESCRIPTION**

The FIGURE is a front perspective view of a small sash rail for window, showing our new design, the rear perspective view being a mirror image thereof, and is shown fragmented indicating indefinite length.

**1 Claim, 1 Drawing Sheet**





THE FIGURE