



US00D440319S

(12) **United States Design Patent**
Horton

(10) **Patent No.:** **US D440,319 S**

(45) **Date of Patent:** **** Apr. 10, 2001**

- (54) **KIOSK**
- (75) Inventor: **Tony L. Horton**, Dallas, TX (US)
- (73) Assignee: **Viad Corporation**, Grapevine, TX (US)
- (**) Term: **14 Years**
- (21) Appl. No.: **29/128,404**
- (22) Filed: **Aug. 25, 2000**
- (51) **LOC (7) Cl.** **25-03**
- (52) **U.S. Cl.** **D25/16**
- (58) **Field of Search** D25/16; D6/396,
D6/397, 432-448, 474, 477-479, 481, 473,
476; 52/36.1, 36.2, 79.1, 79.5, 34, 74; D34/19-21;
108/92-96, 111; 312/194-196

(56) **References Cited**

U.S. PATENT DOCUMENTS

D. 54,883	4/1920	Willett .	
D. 85,555	11/1931	Stebbins .	
D. 148,842	3/1948	Cushman	D30/11
D. 149,381	4/1948	Schick	D80/9
D. 152,219	12/1948	Schick	D30/9
D. 152,371	1/1949	Schick	D80/11
D. 200,225	2/1965	Benjamin	D80/11
D. 219,579	12/1970	Wormser	D25/4
D. 254,327	2/1980	Tasse	D25/26
D. 256,530	8/1980	Johnson	D6/144
D. 260,708	9/1981	Schindler	D6/144
D. 265,617	8/1982	Saugroge, III et al.	D6/144
D. 279,408	6/1985	Davenport	D25/25
D. 288,040	2/1987	LeBlanc	D6/473
D. 288,609	3/1987	Watkins	D25/11
D. 302,221	7/1989	Suttles et al.	D6/481
D. 313,077	12/1990	Minarro	D25/16
D. 326,024	5/1992	Boyd et al.	D6/480
D. 341,458	11/1993	Carroll	D34/20
D. 346,867	5/1994	Montilla	D25/16
D. 348,367	7/1994	Geisen et al.	D6/481

D. 350,829	9/1994	Horton	D25/16
D. 354,816	1/1995	Horton	D25/16
D. 367,777	3/1996	Arnone	D6/436
D. 368,606	4/1996	Sargent, III	D6/481
D. 379,664	6/1997	Horton	D25/16
D. 379,665	6/1997	Horton	D25/16
D. 379,666	6/1997	Horton	D25/16
D. 379,667	6/1997	Horton	D25/16
D. 383,854	9/1997	Ruscitto	D25/16
D. 396,113	7/1998	Horton	D25/16
D. 396,114	7/1998	Horton	D25/16
D. 403,179	12/1998	Horton	D6/474
D. 405,629	2/1999	Horton	D6/474
D. 406,354	3/1999	Horton	D25/16
D. 406,903	3/1999	Horton	D25/16
D. 407,921	4/1999	Horton	D6/474
D. 413,392	8/1999	Horton	D25/16
589,971	9/1897	Kephart .	
2,836,860	6/1958	Staropoli	20/1.6
3,715,815	2/1973	Lewis	35/60
4,572,598	2/1986	Moore	312/284
5,048,857	9/1991	Stevens	280/651
5,375,899	12/1994	Wright	296/21
5,551,774	9/1996	Campbell et al.	312/284

Primary Examiner—Doris Clark

(74) *Attorney, Agent, or Firm*—Locke Liddell & Sapp LLP

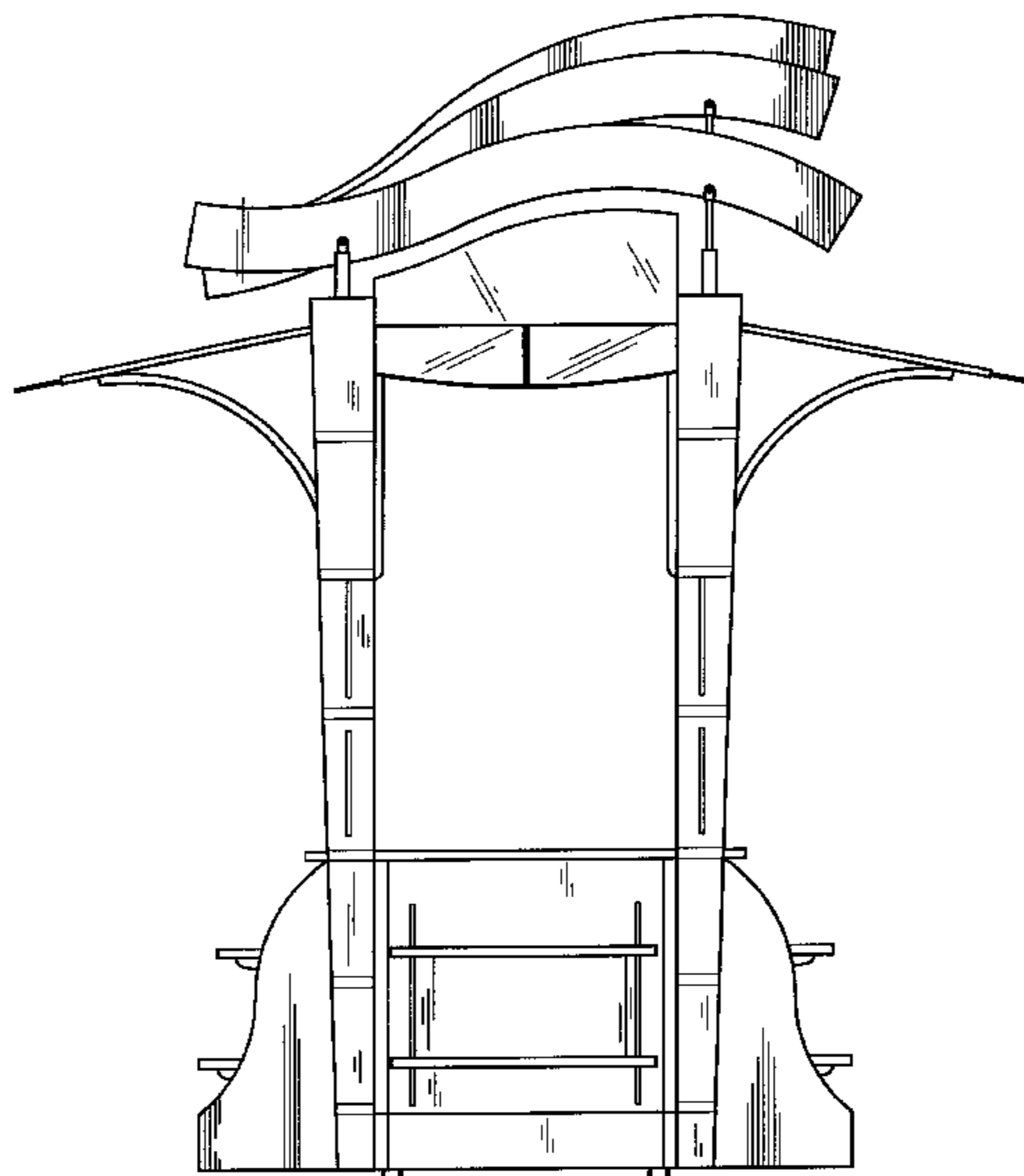
(57) **CLAIM**

The ornamental design for kiosk, as shown and described.

DESCRIPTION

FIG. 1 is a left side elevational view of a kiosk showing my new design;
 FIG. 2 is a front elevational view thereof, the rear elevational view being identical thereto;
 FIG. 3 is a right side elevational view thereof;
 FIG. 4 is a top plan view thereof;
 FIG. 5 is a bottom plan view thereof; and,
 FIG. 6 is a sectional view thereof taken generally along sectional lines 6—6 of FIG. 2.

1 Claim, 6 Drawing Sheets



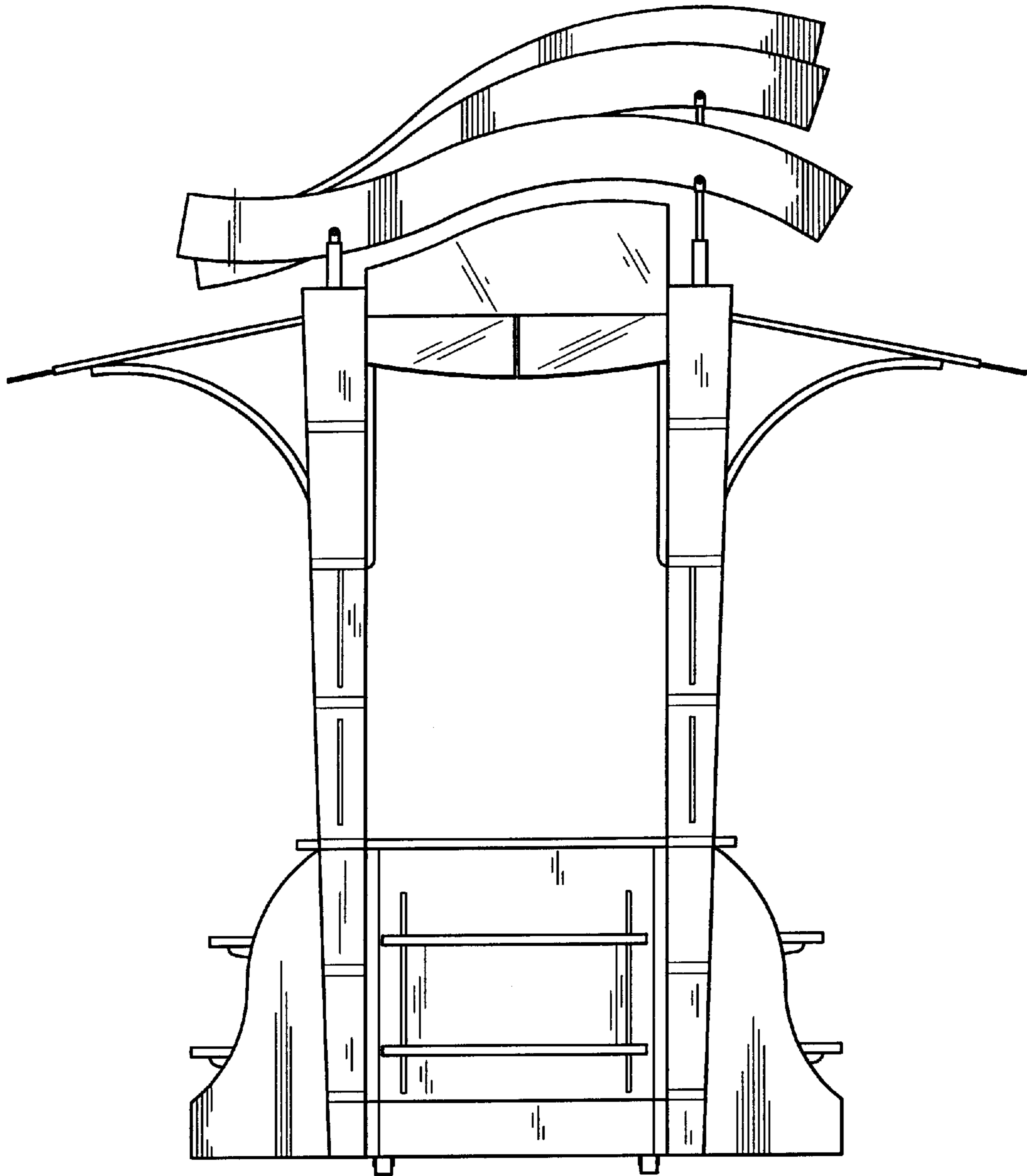


FIG. 1

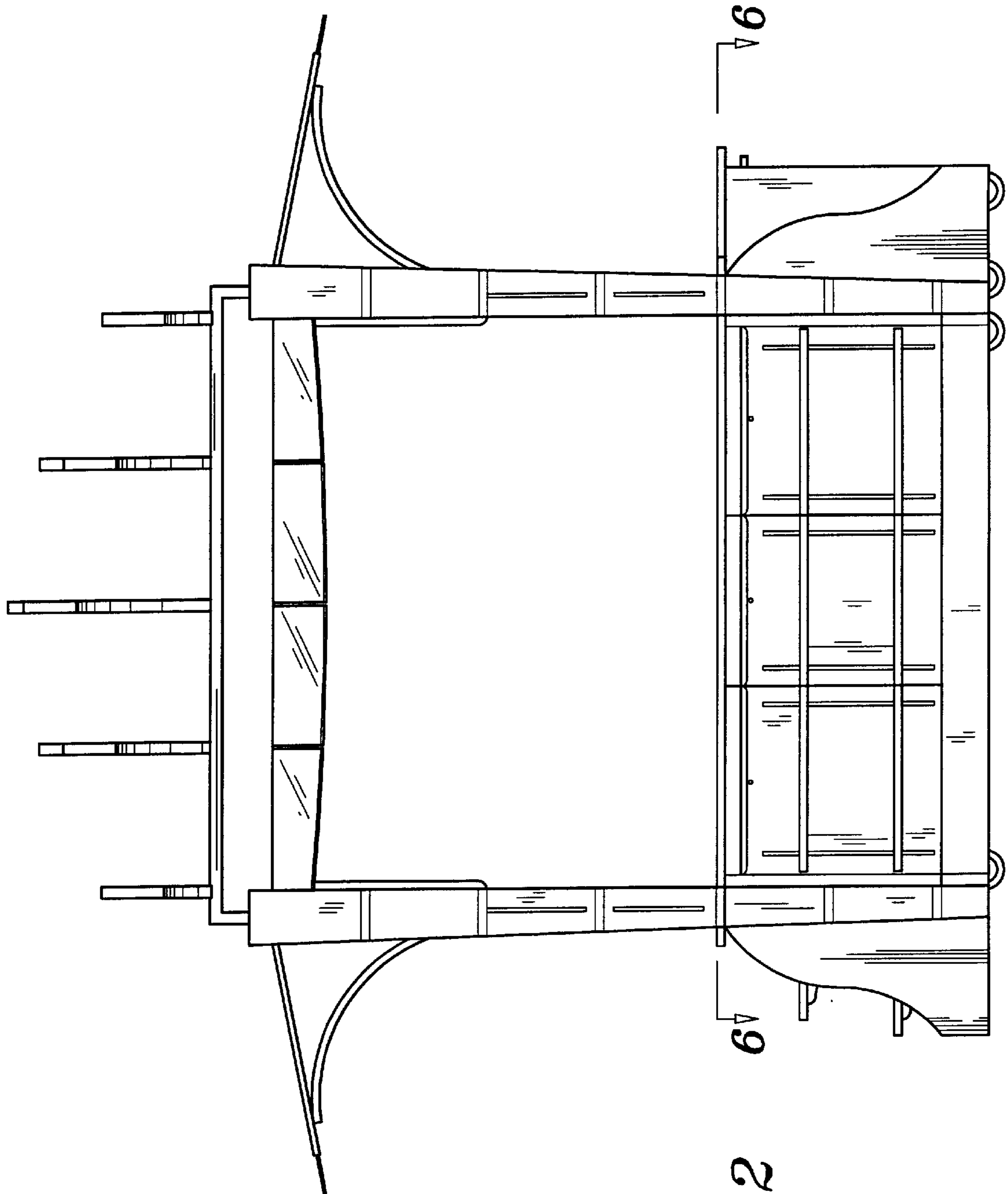


FIG. 2

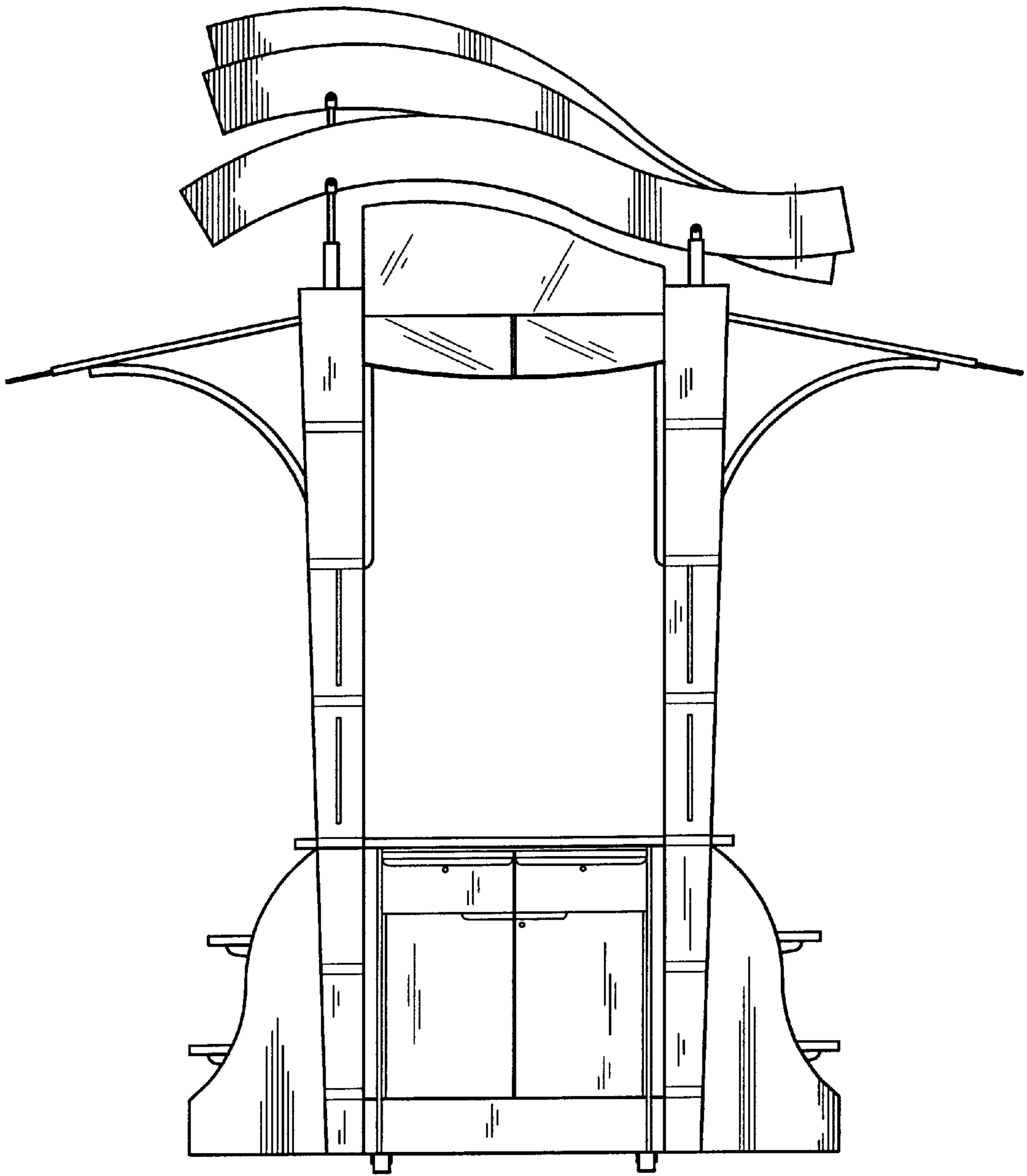


FIG. 3

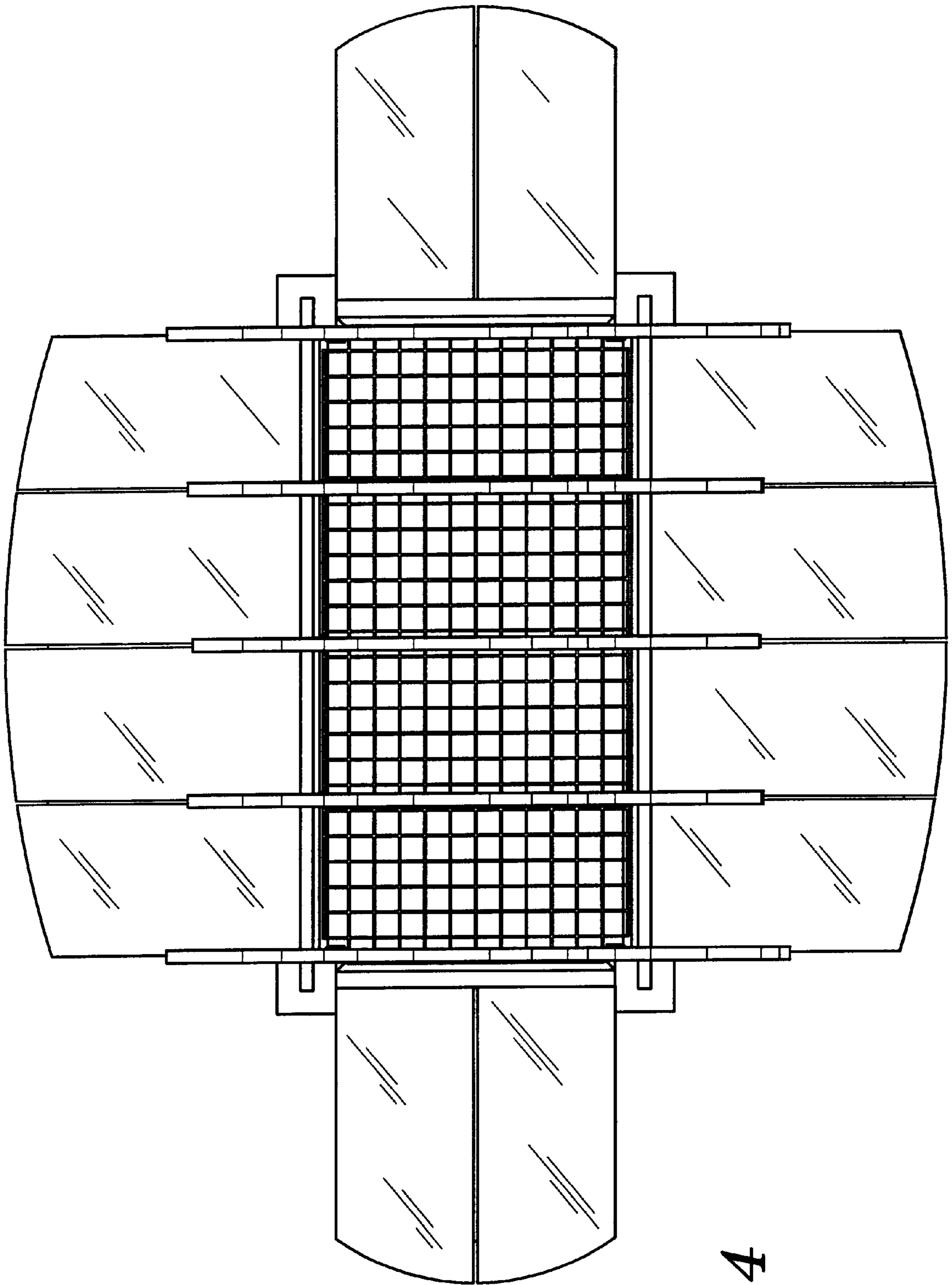


FIG. 4

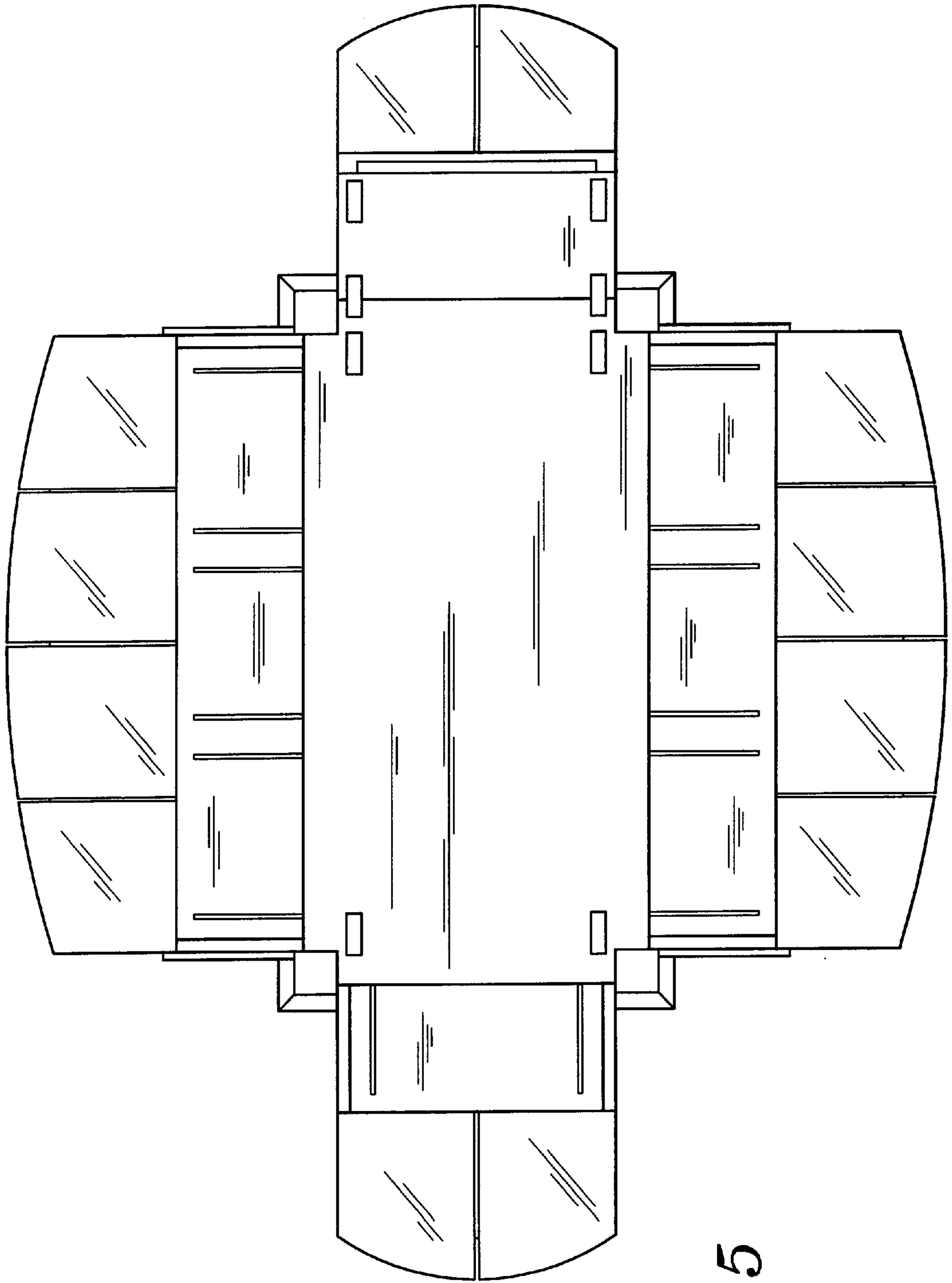


FIG. 5

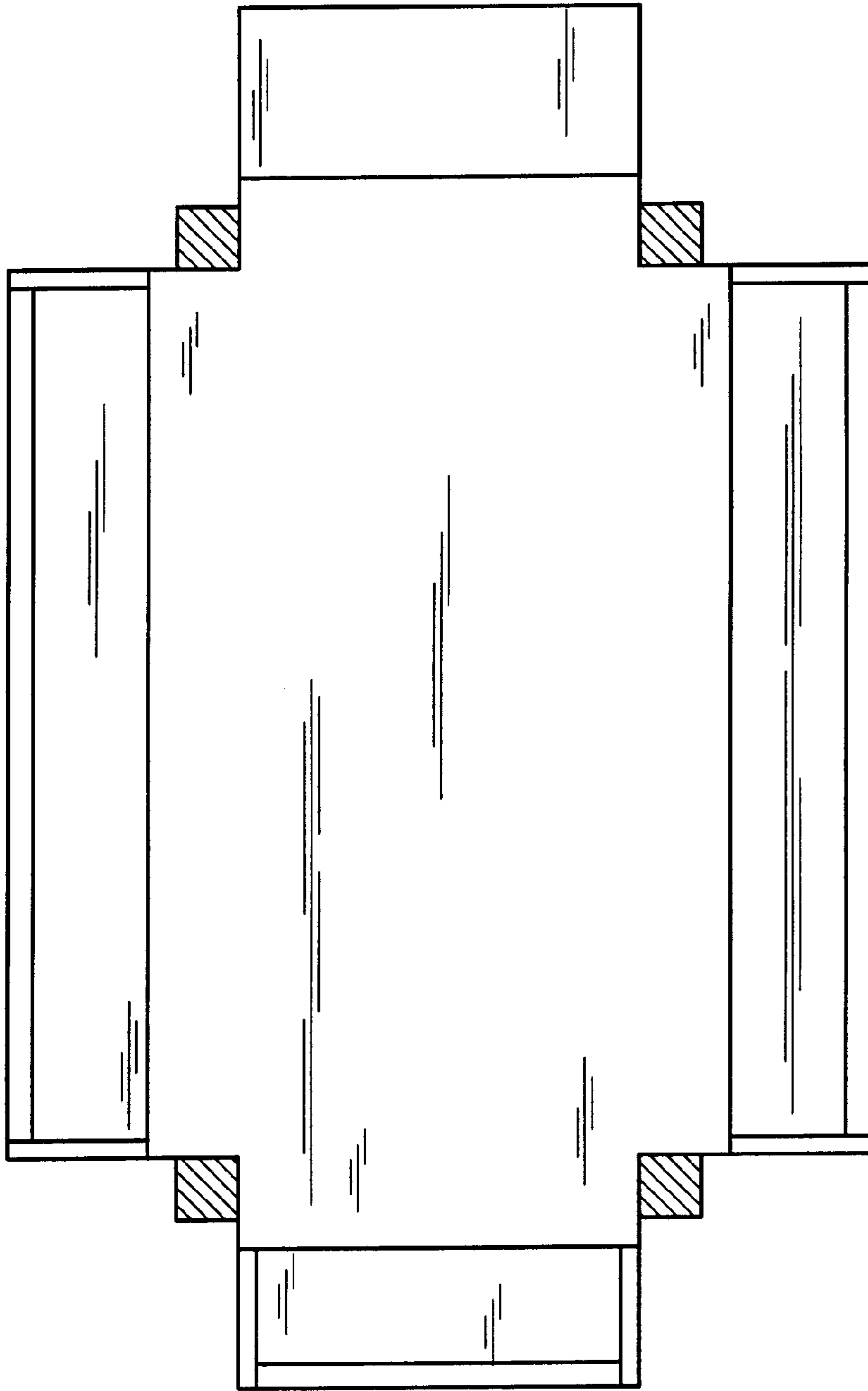


FIG. 6