



US00D440310S

(12) **United States Design Patent**
Laks et al.

(10) **Patent No.:** **US D440,310 S**

(45) **Date of Patent:** **** Apr. 10, 2001**

(54) **PHACO HANDPIECE**

(75) Inventors: **Lawrence Laks**, Bellevue; **Timothy E. Luxon**, Kirkland; **Ed Terpilowski**, Redmond; **Robert F. Jordan**, Brier, all of WA (US)

(73) Assignee: **MicroSurgical Technology, Inc.**, Redmond, WA (US)

(**) Term: **14 Years**

(21) Appl. No.: **29/113,509**

(22) Filed: **Nov. 4, 1999**

(51) **LOC (7) Cl.** **24-02**

(52) **U.S. Cl.** **D24/133; D24/112; D24/144**

(58) **Field of Search** **D24/133, 112, D24/144, 146; 604/22, 27, 39, 28, 30, 902; 606/107, 5, 6, 166, 167, 169, 170**

(56) **References Cited**

U.S. PATENT DOCUMENTS

D. 344,903	*	3/1994	Gampp, Jr. et al.	D24/133
D. 351,227		10/1994	Patton et al.	.	
D. 376,204	*	12/1996	Huculak et al.	D24/146
D. 407,488	*	3/1999	Injev	D24/133
4,553,957	*	11/1985	Williams et al.	604/902
5,162,044	*	11/1992	Gahn et al.	604/22
5,580,347	*	12/1996	Reimels	604/30

* cited by examiner

Primary Examiner—Ian Simmons

(74) *Attorney, Agent, or Firm*—Christensen O'Connor Johnson Kindness PLLC

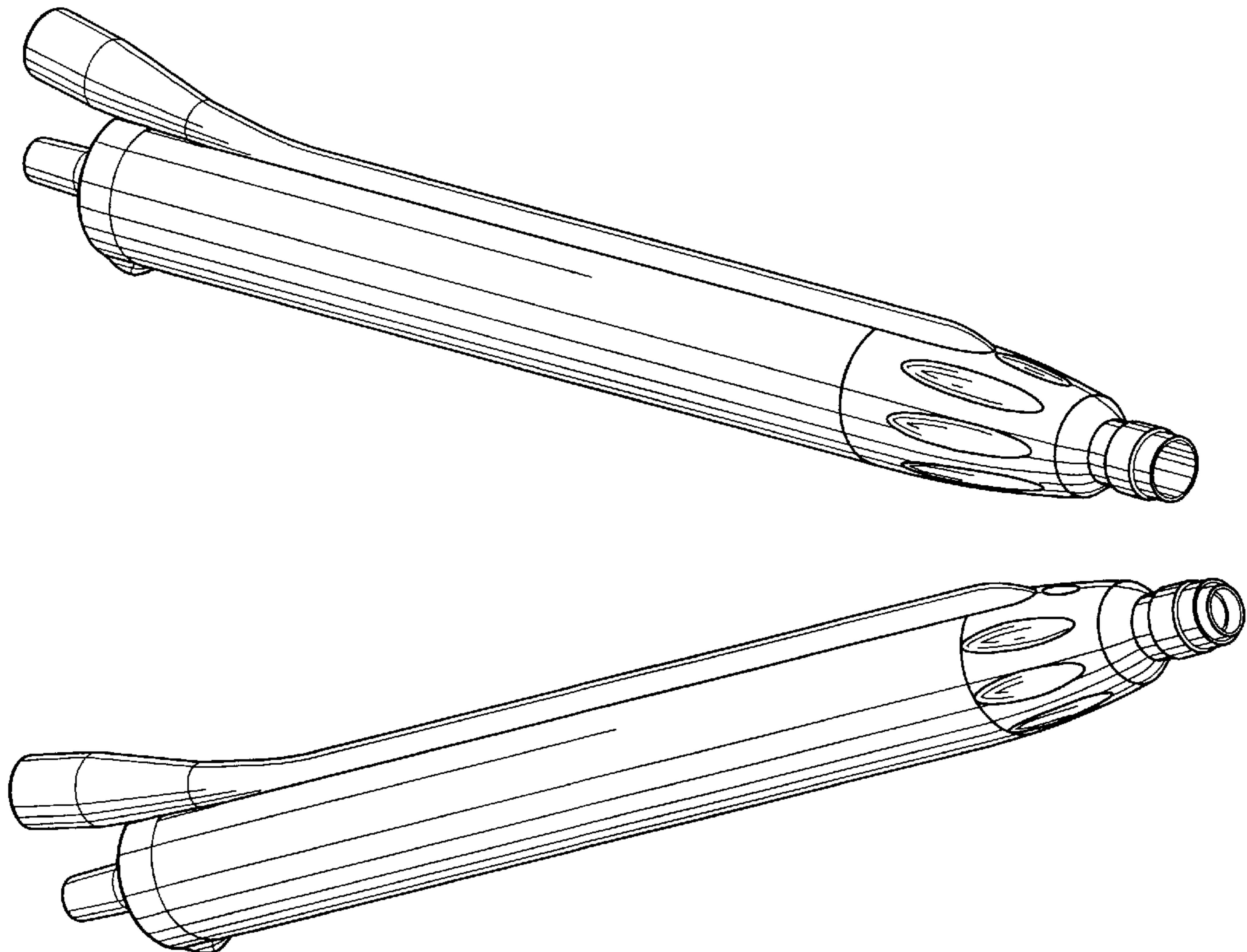
(57) **CLAIM**

The ornamental design for a phaco handpiece, as shown and described.

DESCRIPTION

FIG. 1 is a top front perspective view of a phaco handpiece showing our new design;
 FIG. 2 is a left side elevational view thereof, the right side elevational view thereof being the mirror image of FIG. 2;
 FIG. 3 is a top plan view thereof;
 FIG. 4 is a bottom plan view thereof;
 FIG. 5 is a rear end elevational view thereof;
 FIG. 6 is a front end elevational view thereof;
 FIG. 7 is a top front perspective view of a second embodiment thereof;
 FIG. 8 is a left side elevational view of the second embodiment thereof, the right side elevational view of the second embodiment thereof being the mirror image of FIG. 8;
 FIG. 9 is top plan view thereof;
 FIG. 10 is a bottom plan view of the second embodiment thereof;
 FIG. 11 is a rear end elevational view of the second embodiment thereof; and,
 FIG. 12 is a front end elevational view of the second embodiment thereof.

1 Claim, 2 Drawing Sheets



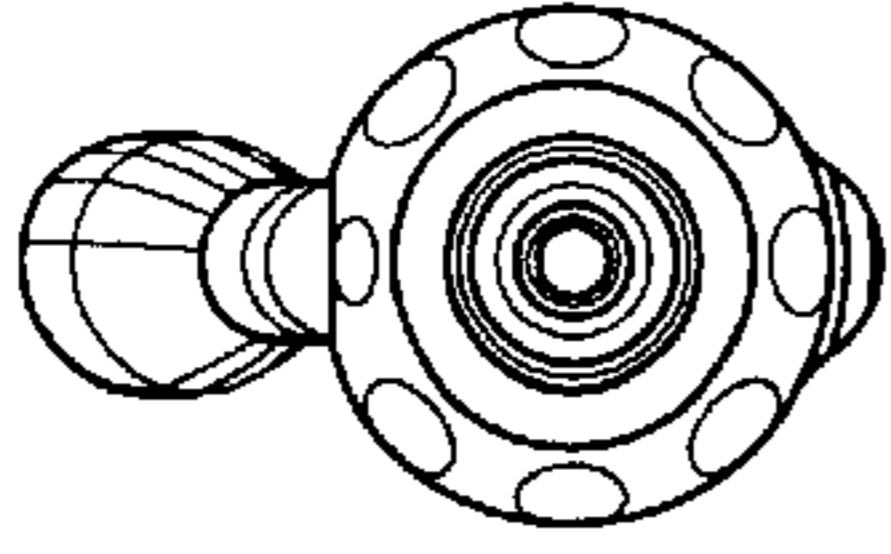


Fig. 6.

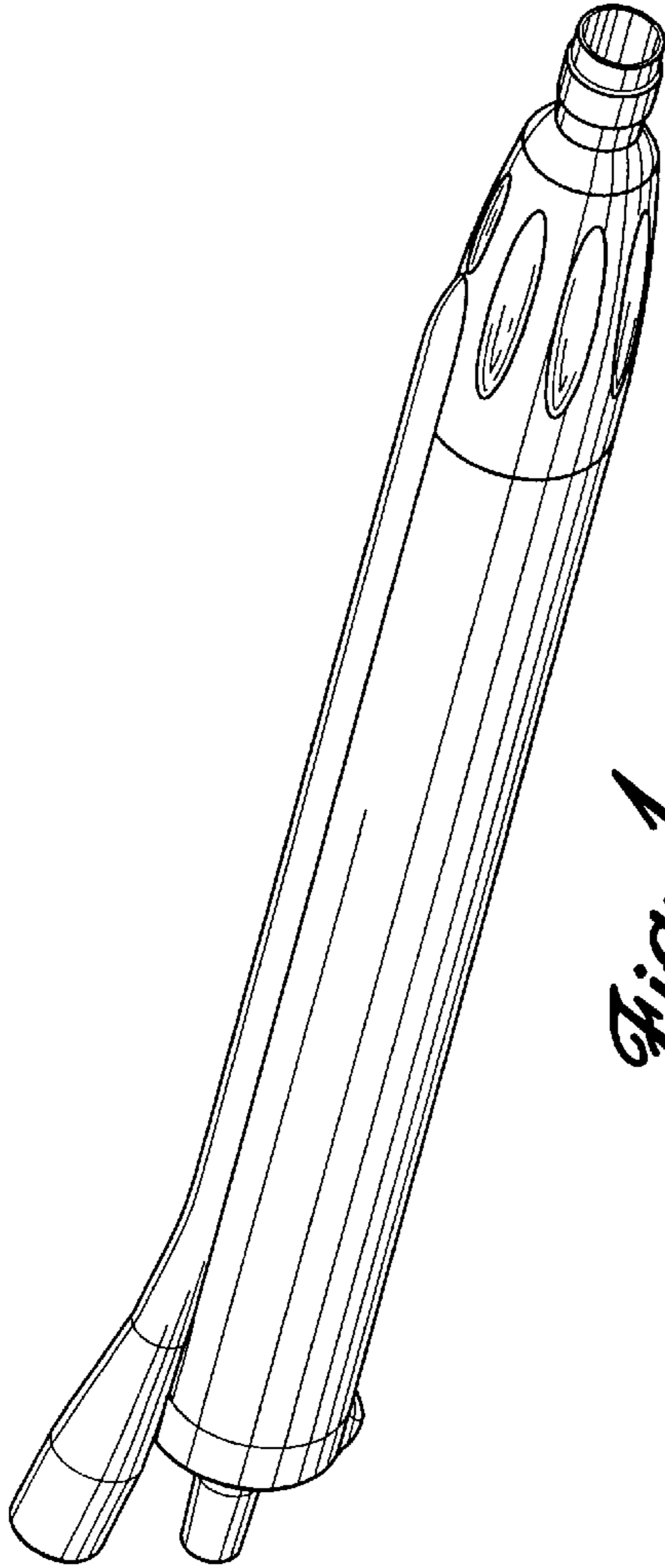


Fig. 1.

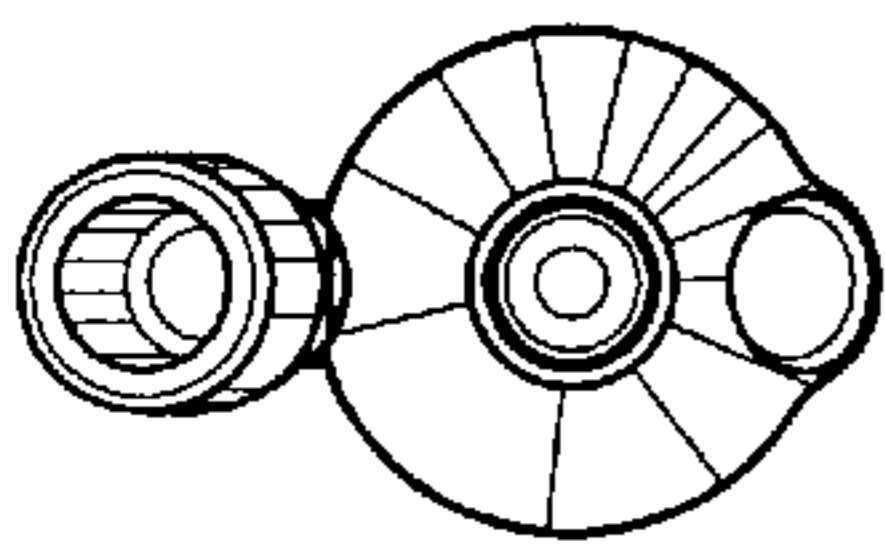


Fig. 5.

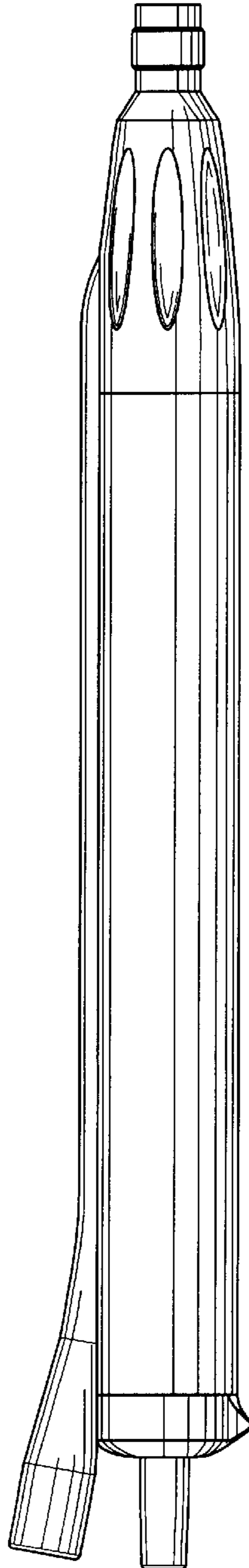


Fig. 2.

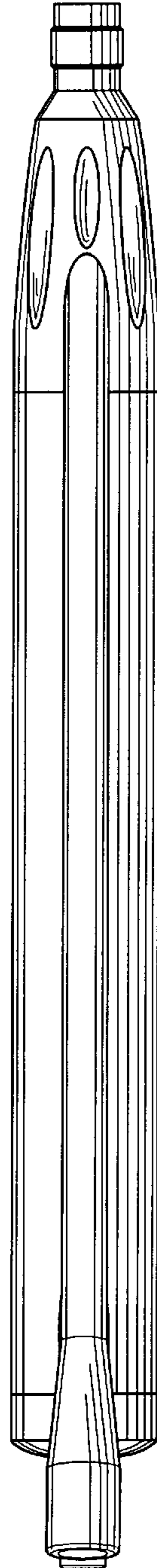


Fig. 3.

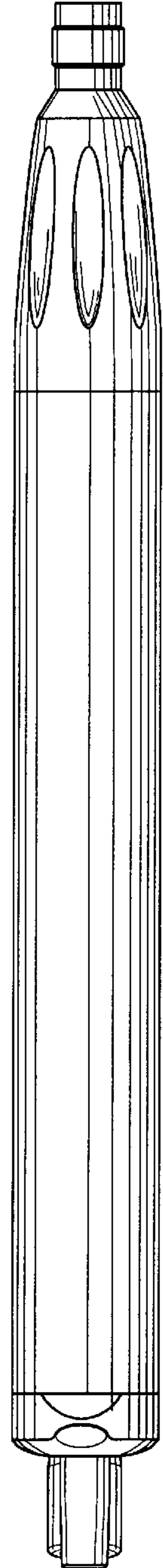


Fig. 4.

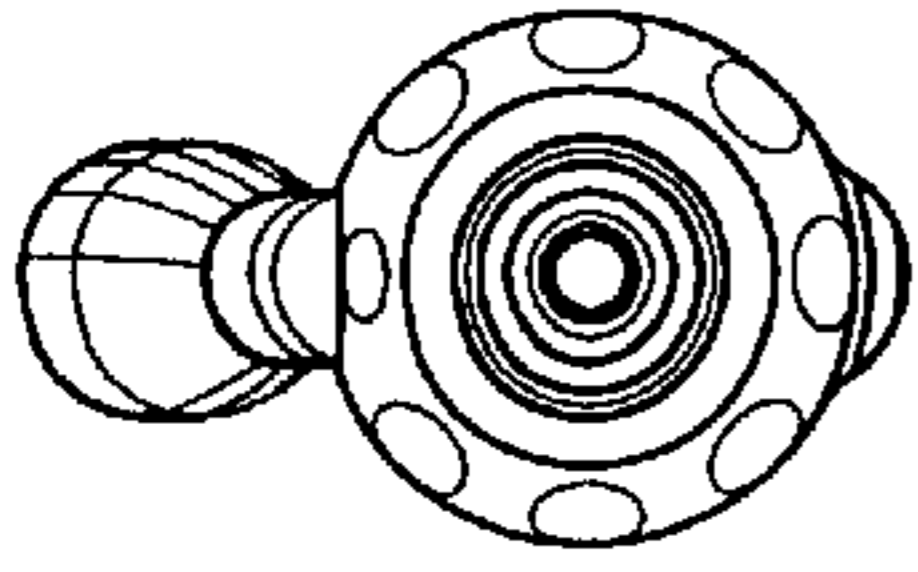


Fig. 12.



Fig. 7.

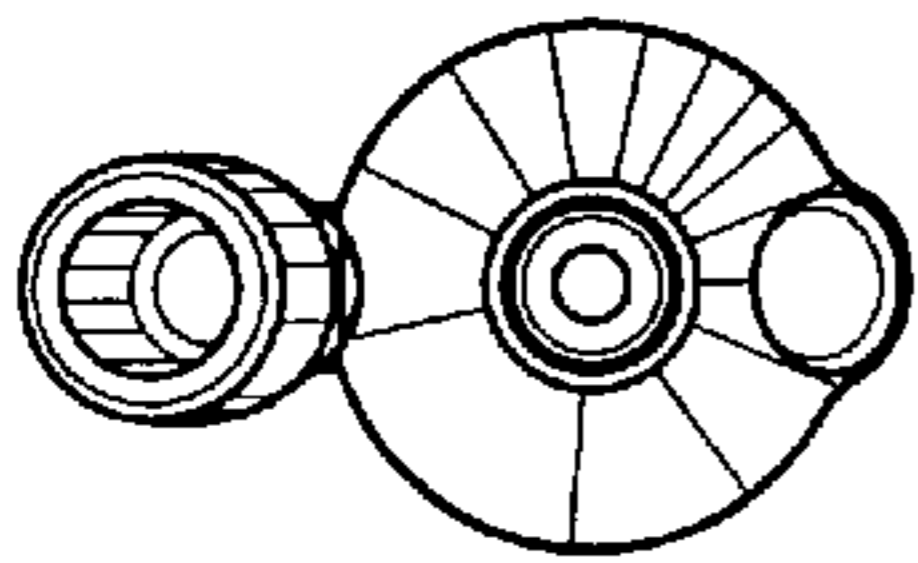


Fig. 11.

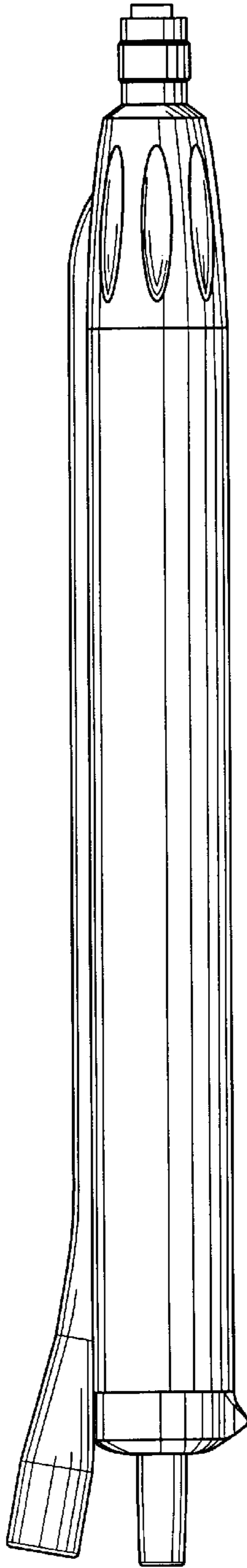


Fig. 8.



Fig. 9.

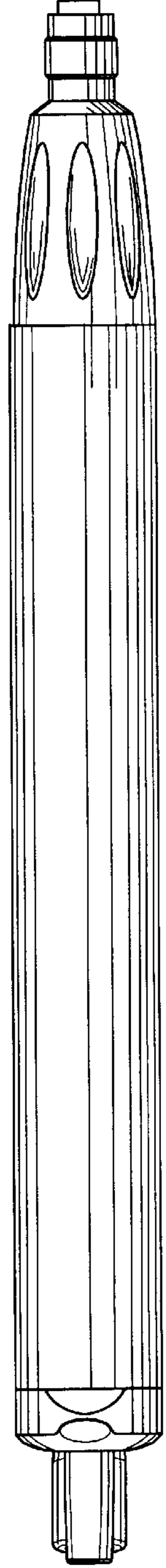


Fig. 10.