



US00D440309S

(12) **United States Design Patent**
Whiteside et al.

(10) **Patent No.: US D440,309 S**

(45) **Date of Patent: ** Apr. 10, 2001**

(54) **COMBINED INSTRUMENT AND CHARGING
BASE FOR DESTROYING SYRINGE-TYPE
NEEDLES**

(75) Inventors: **Willis Whiteside**, Lawrenceville; **Phil
Wills**, Roswell; **Vlad Moise**, Marietta,
all of GA (US)

(73) Assignee: **Biomedical Disposal, Inc.**, Norcross,
GA (US)

(**) Term: **14 Years**

(21) Appl. No.: **29/096,635**

(22) Filed: **Nov. 17, 1998**

(51) **LOC (7) Cl. 24-02**

(52) **U.S. Cl. D24/131**

(58) **Field of Search** D24/130, 131;
206/366, 367, 369, 368, 363; 220/254,
299; D13/107, 108; 320/3, 4, 15; 93/944;
219/68

(56) **References Cited**

U.S. PATENT DOCUMENTS

D. 265,684	*	8/1982	Christoffel et al.	D24/131
D. 409,306	*	5/1999	Ramsey et al.	D24/131
4,628,169	*	12/1986	Ch'ing-Lung	219/68
5,138,124	*	8/1992	Kirk et al.	83/944
5,548,095	*	8/1996	Cornell	219/68
5,689,171	*	11/1997	Ludewig	D13/107 X
5,736,706	*	4/1998	Butler	83/944
5,947,950	*	9/1999	Shillington et al.	604/403

* cited by examiner

Primary Examiner—Ian Simmons

(74) *Attorney, Agent, or Firm*—Finnegan, Henderson,
Farabow, Garrett & Dunner, LLP

(57) **CLAIM**

The ornamental design for a combined instrument and charging base for destroying syringe-type needles, as shown and described.

DESCRIPTION

FIG. 1 is a perspective view of the instrument of the combined instrument and charging base for destroying syringe-type needles embodying our design;

FIG. 2 is a top view thereof;

FIG. 3 is a front elevational view thereof;

FIG. 4 is a back elevational view thereof;

FIG. 5 is a left-side elevational view thereof;

FIG. 6 is a right-side elevational view thereof;

FIG. 7 is a bottom view thereof;

FIG. 8 is a perspective view of the charging base for the combined instrument and charging base for destroying syringe-type needles embodying our design;

FIG. 9 is a top view thereof;

FIG. 10 is a front elevational view thereof;

FIG. 11 is a back elevational view thereof;

FIG. 12 is a left-side elevational view thereof;

FIG. 13 is a right-side elevational view thereof;

FIG. 14 is a bottom view thereof;

FIG. 15 is a perspective view of the combined instrument and charging base for destroying syringe-type needles embodying our design;

FIG. 16 is a top view thereof;

FIG. 17 is a front elevational view thereof;

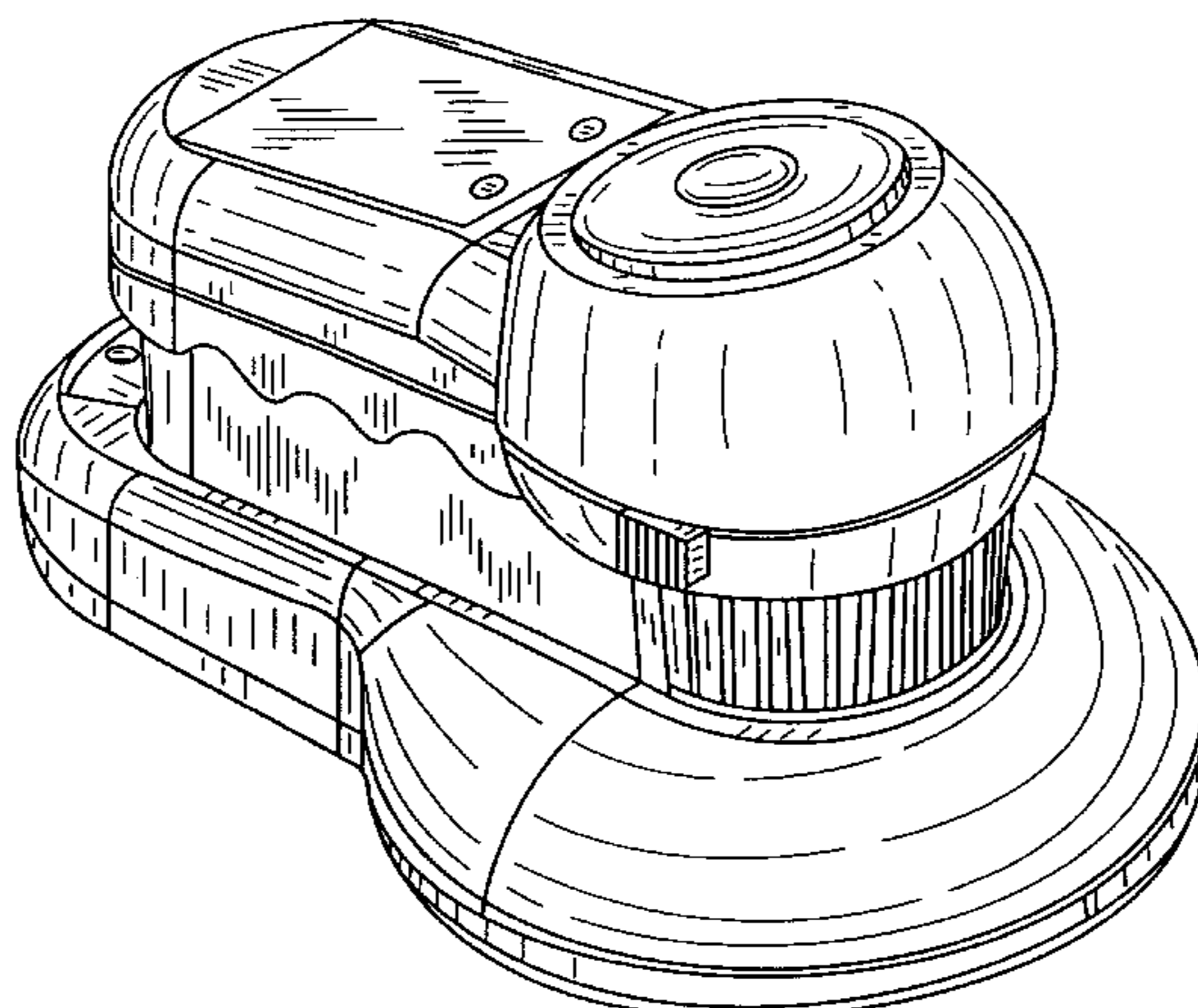
FIG. 18 is a back elevational view thereof;

FIG. 19 is a left-side elevational view thereof;

FIG. 20 is a right-side elevational view thereof; and,

FIG. 21 is a bottom view thereof.

1 Claim, 9 Drawing Sheets



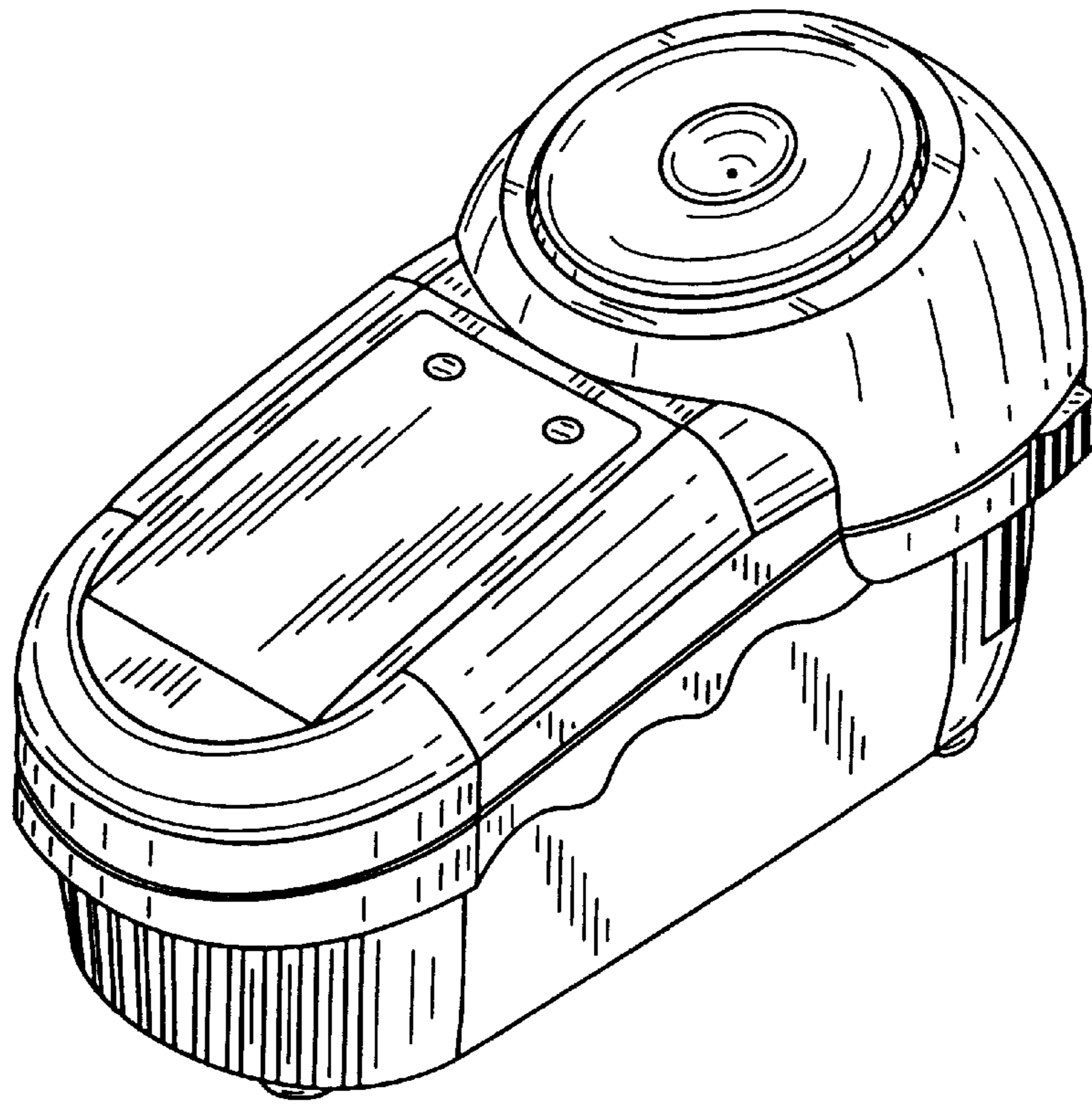


FIG. 1

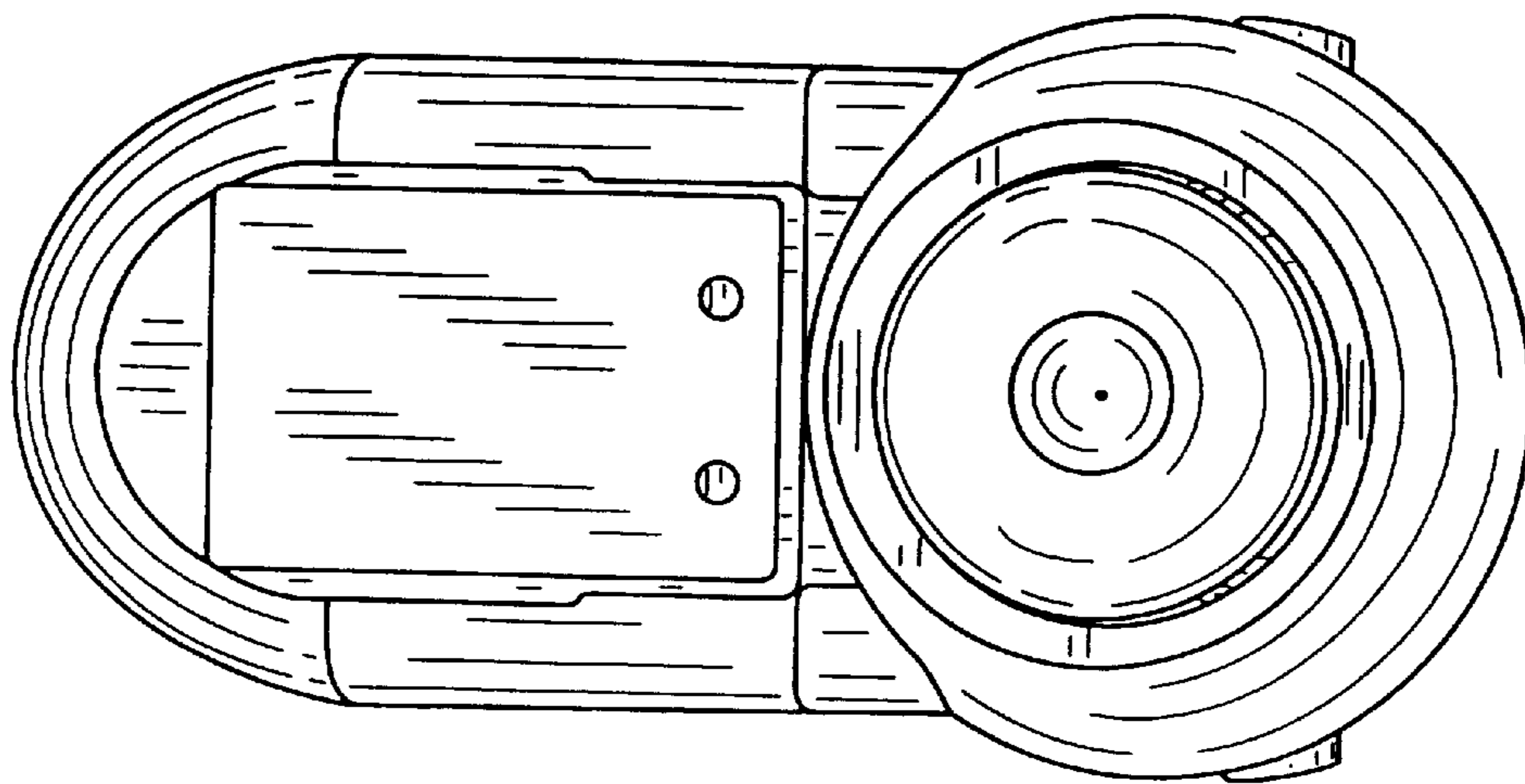


FIG. 2

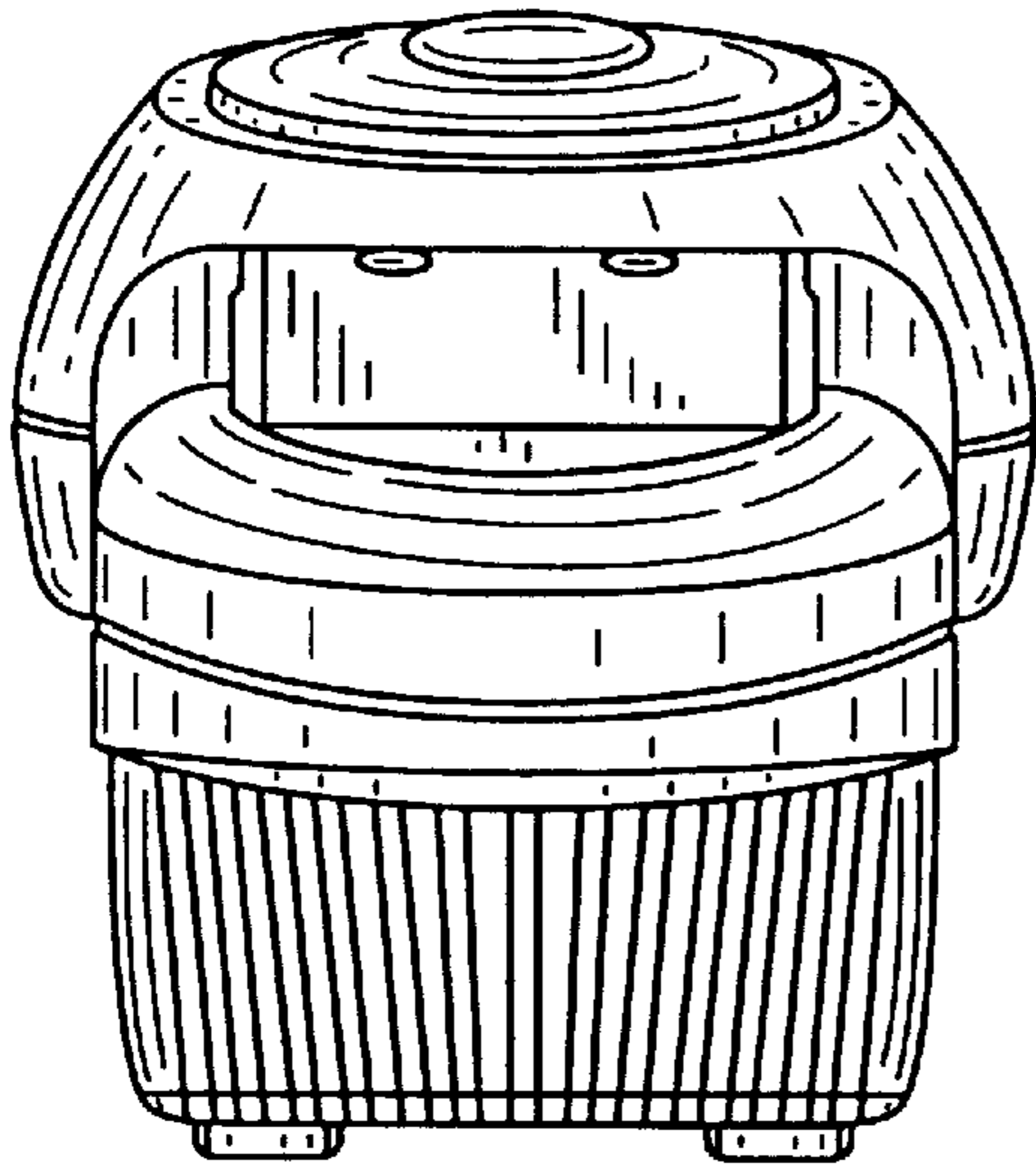


FIG. 3

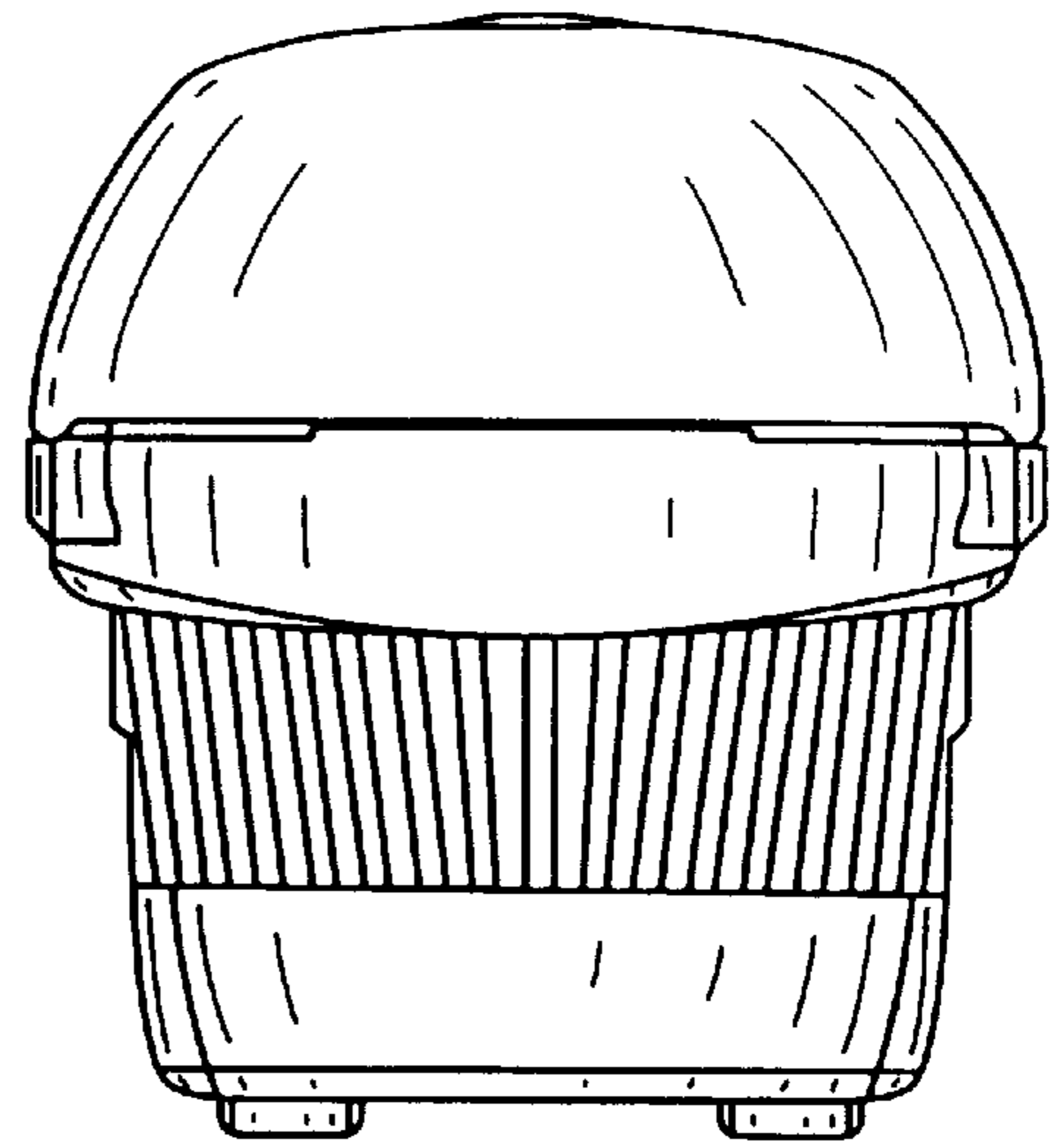


FIG. 4

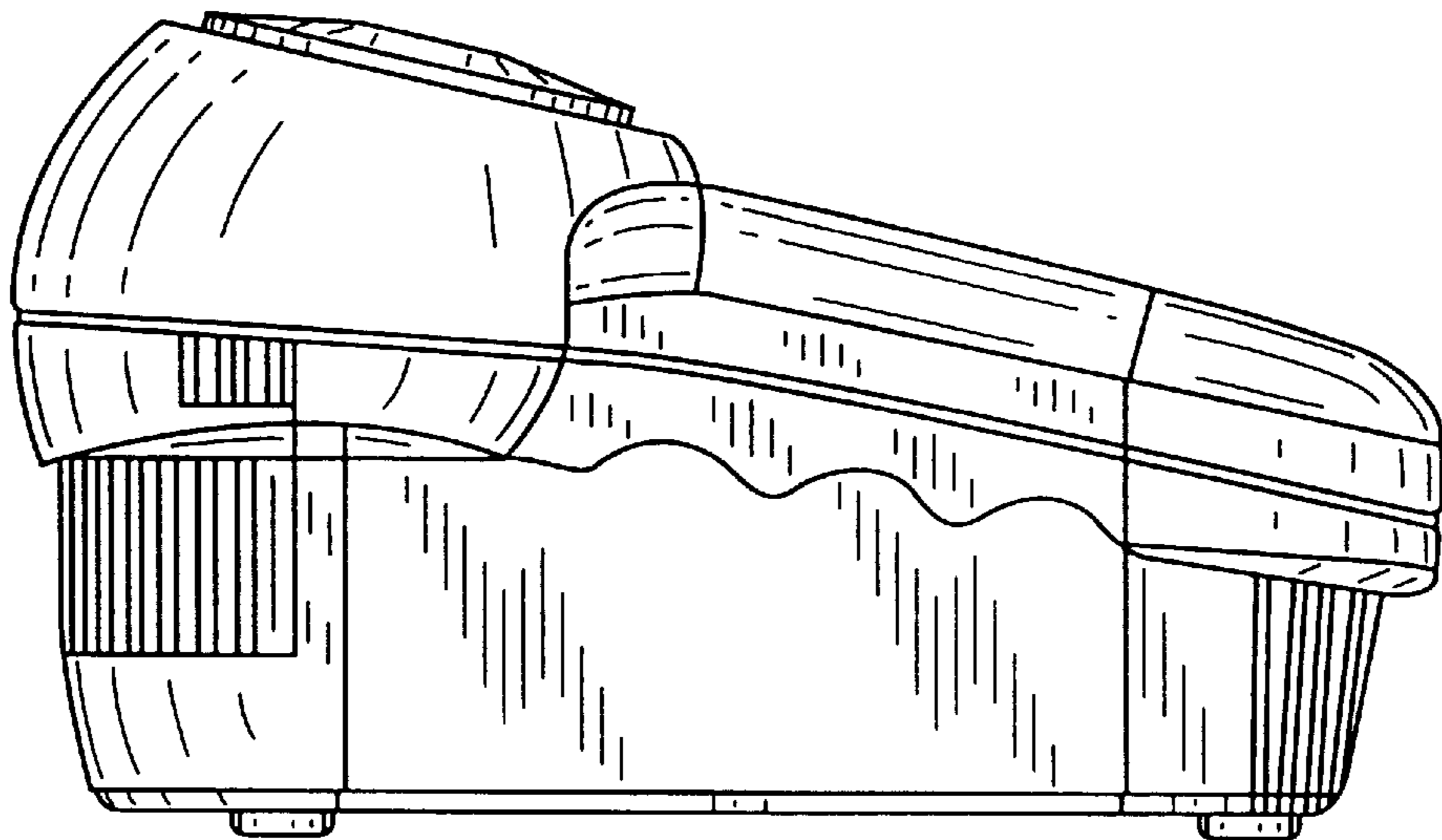


FIG. 5

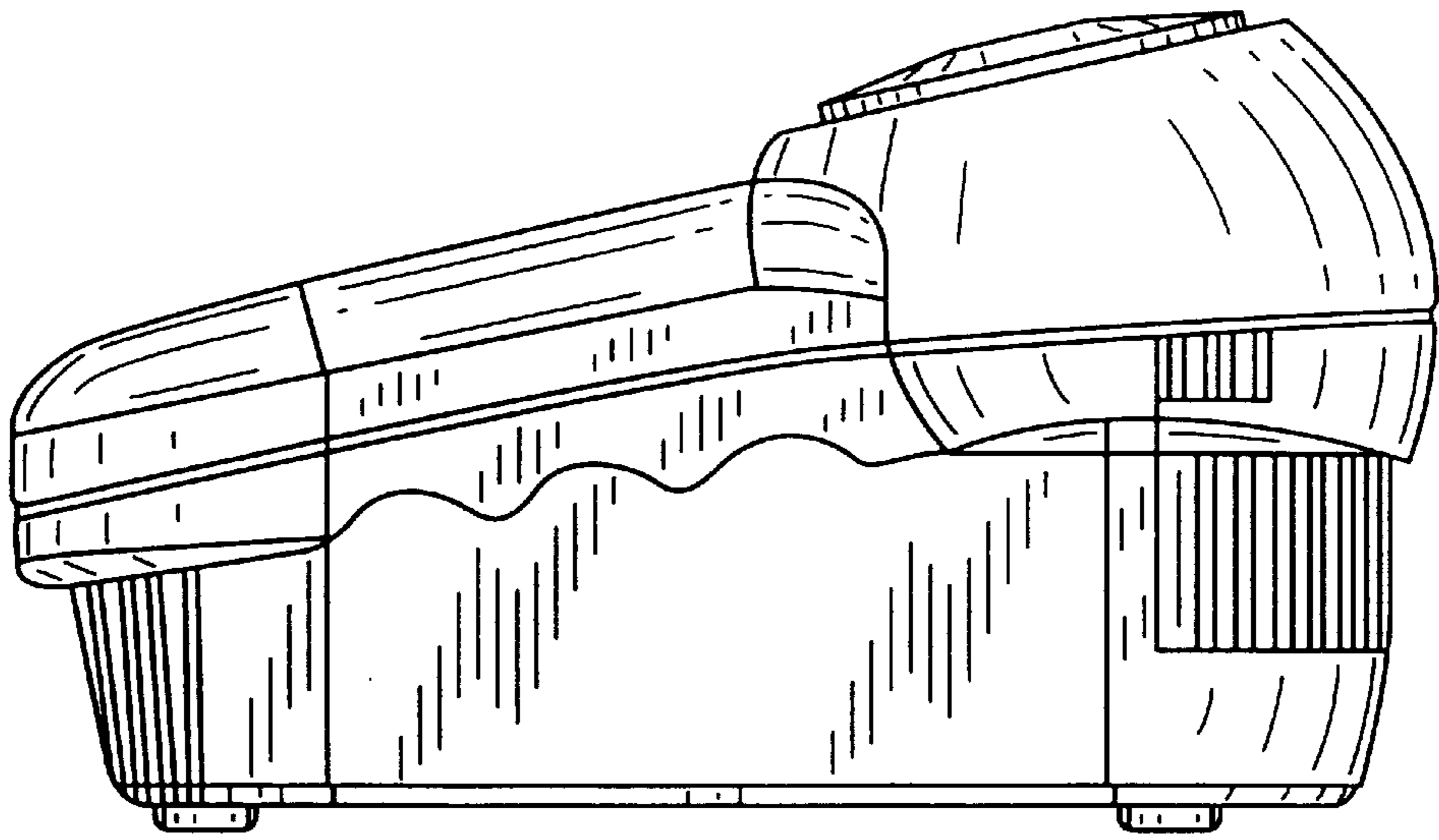


FIG. 6

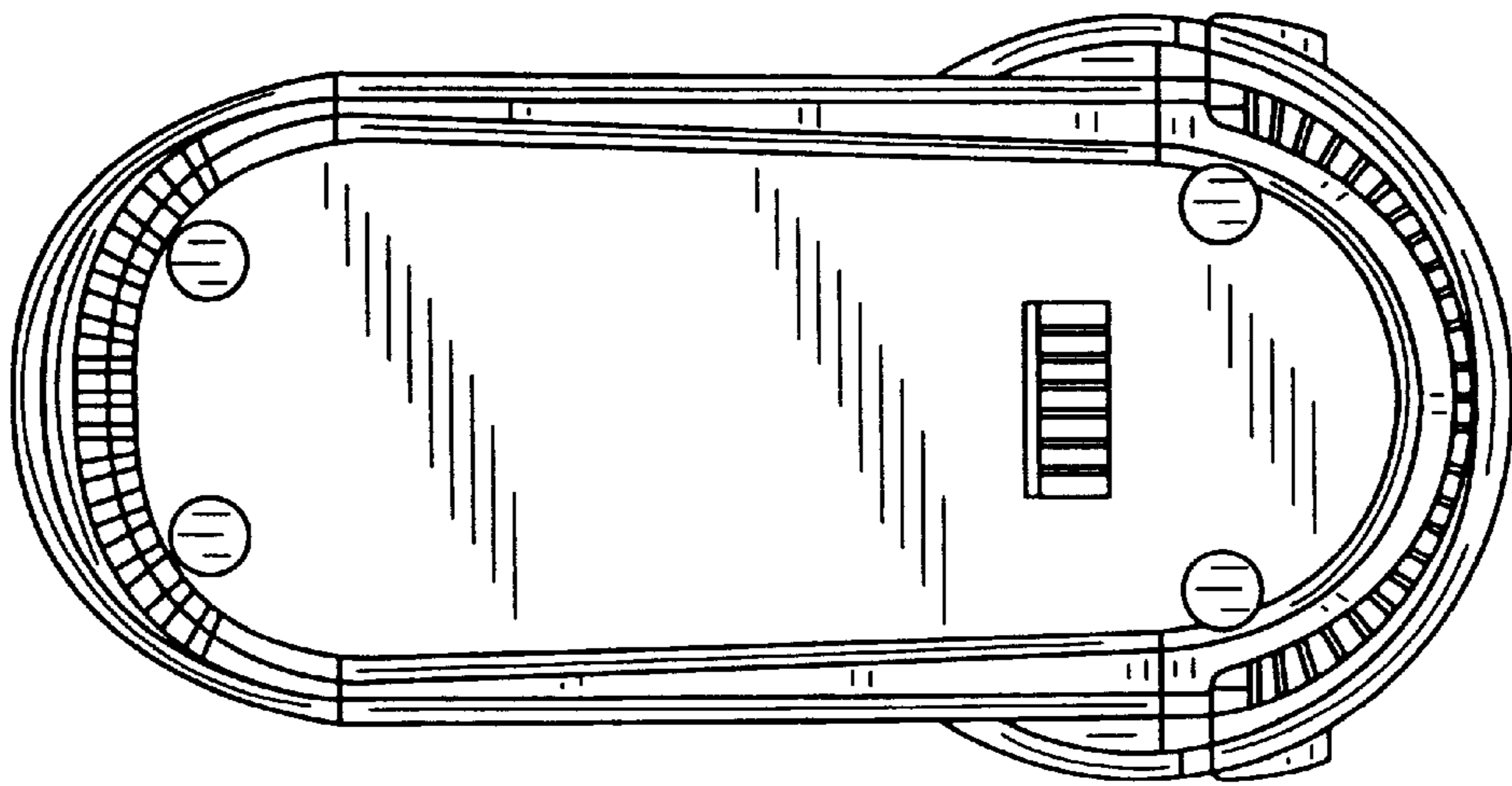


FIG. 7

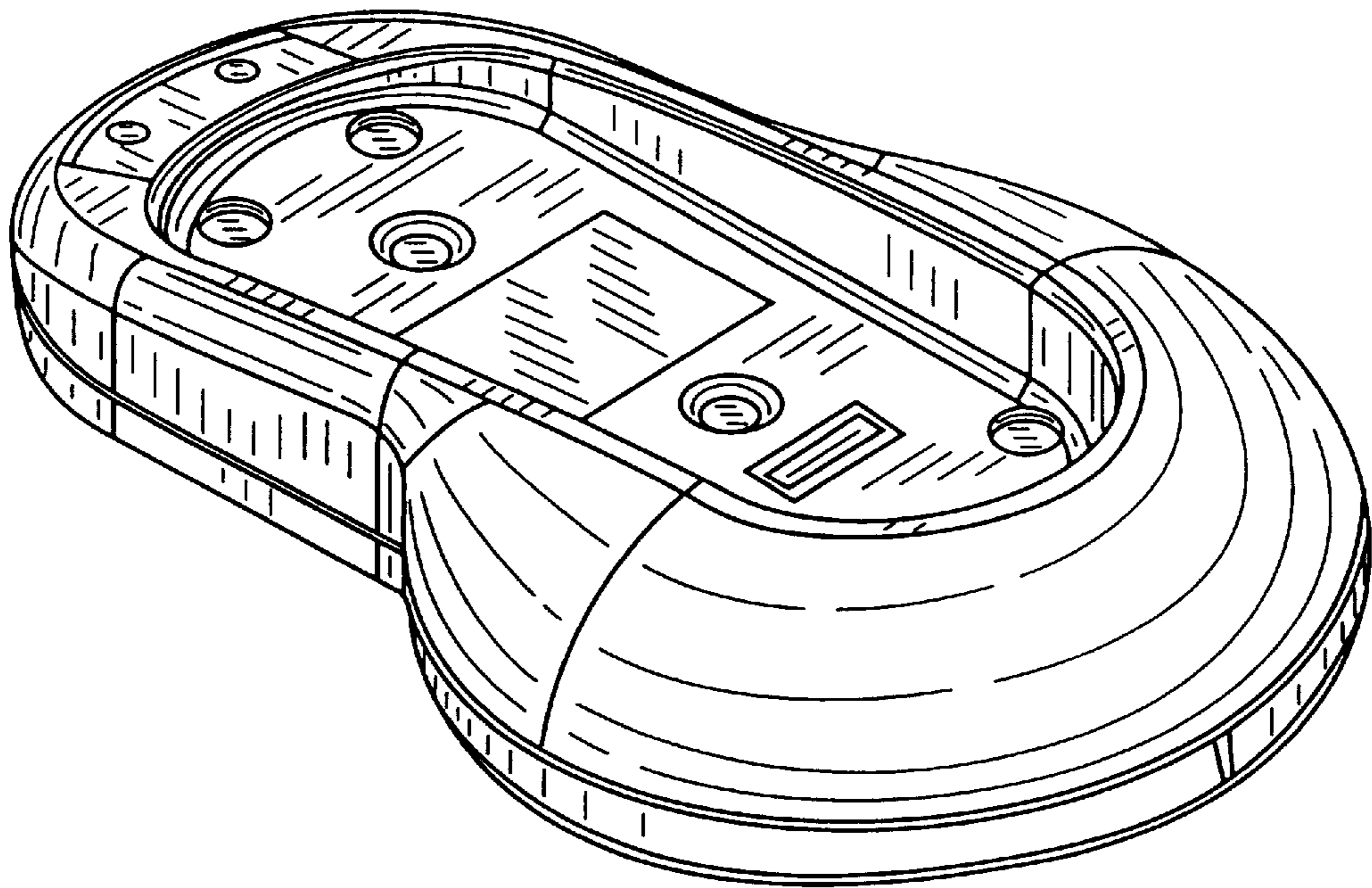


FIG. 8

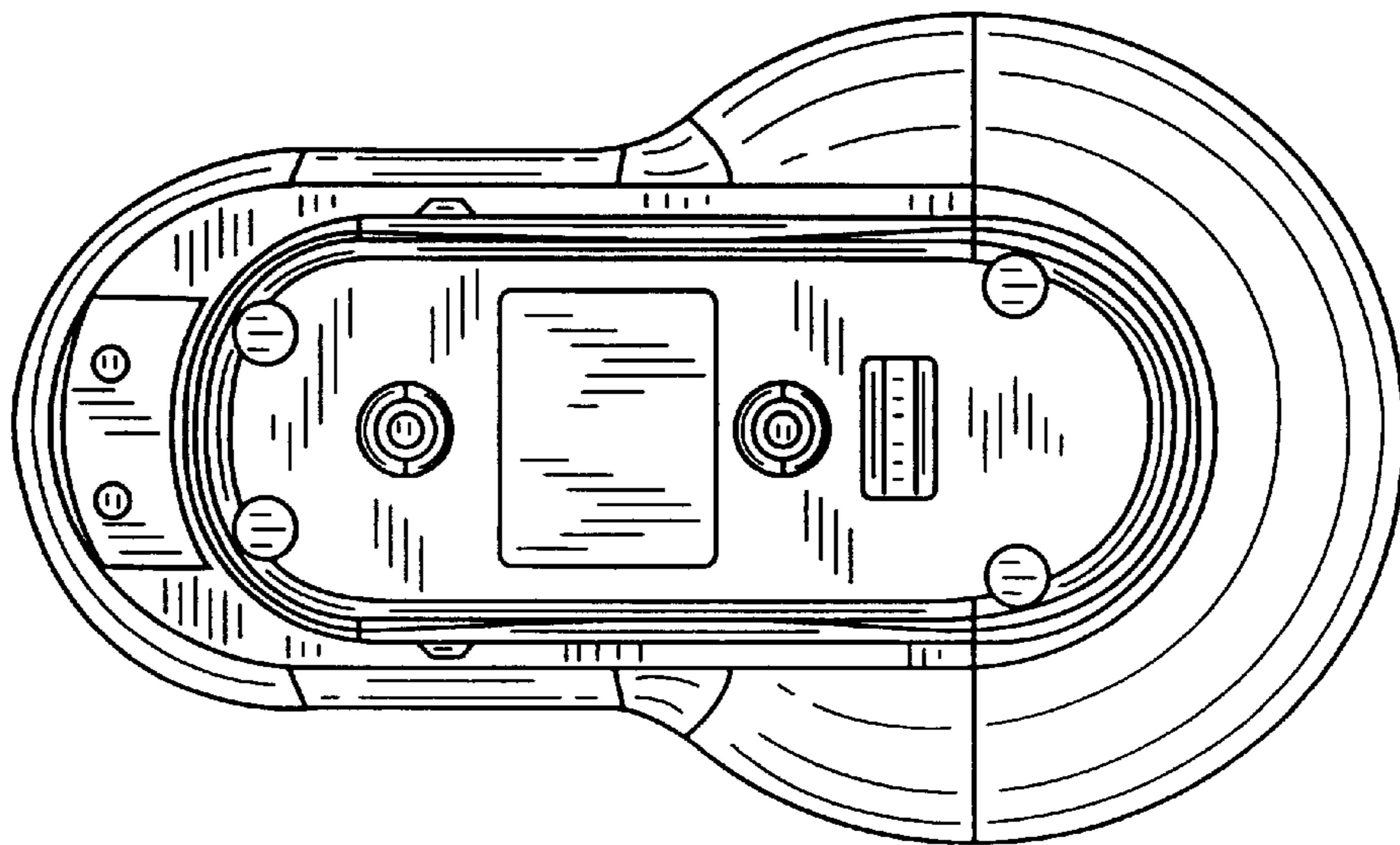


FIG. 9

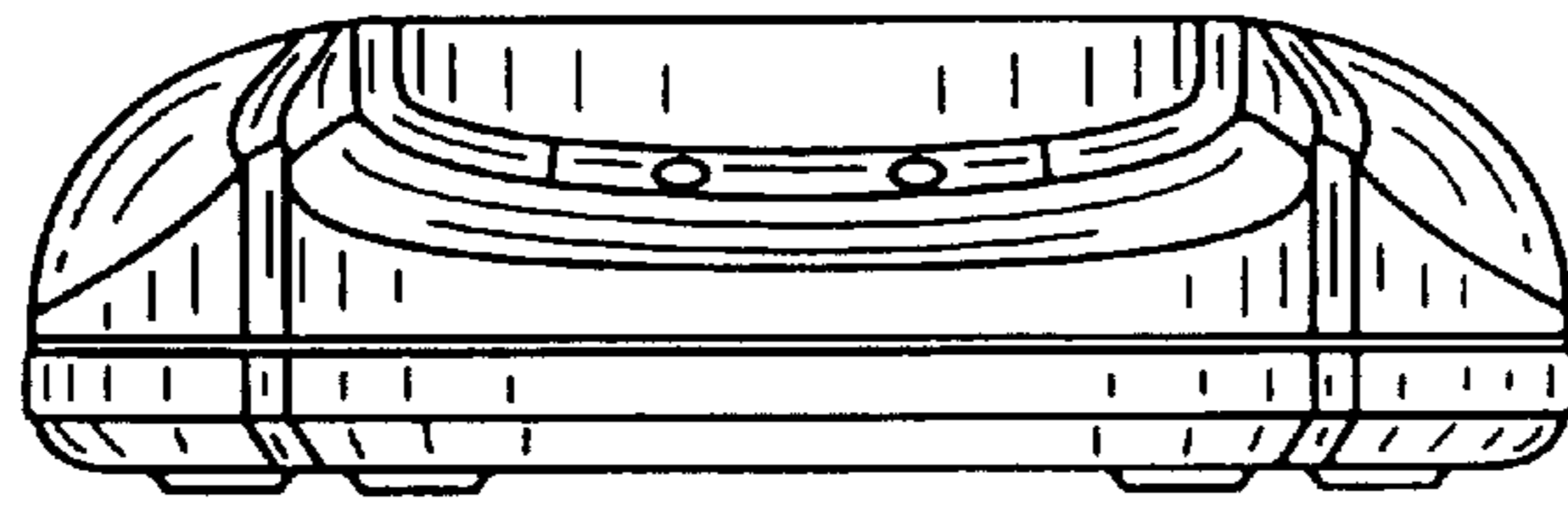


FIG. 10

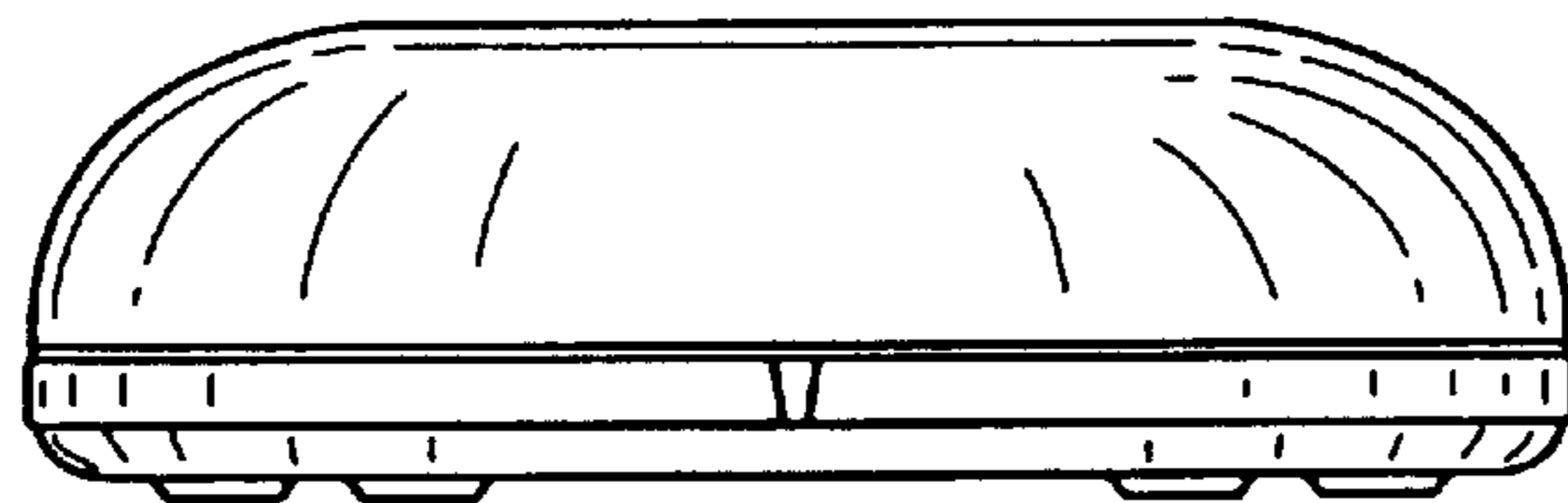


FIG. 11

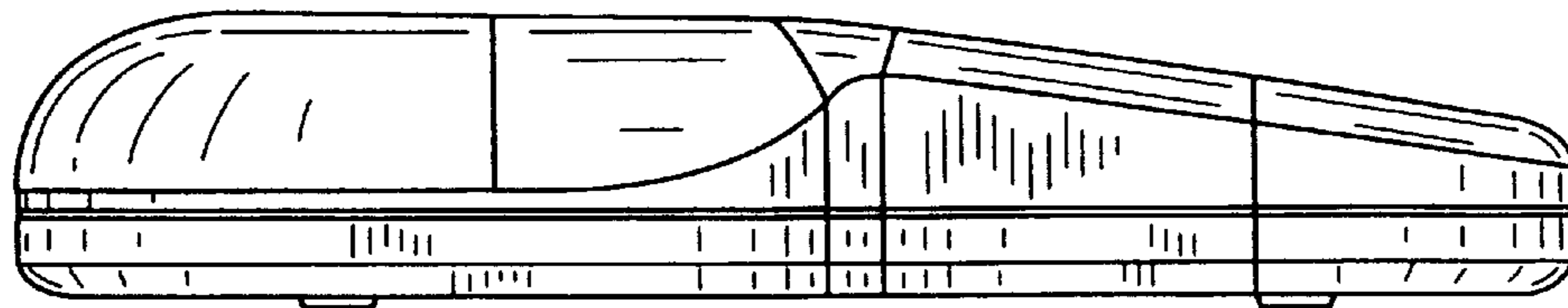


FIG. 12

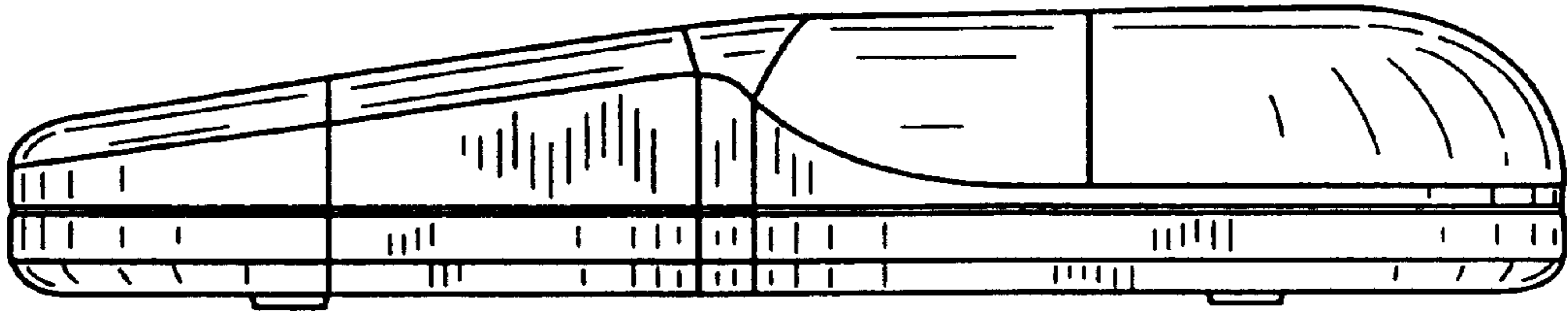


FIG. 13

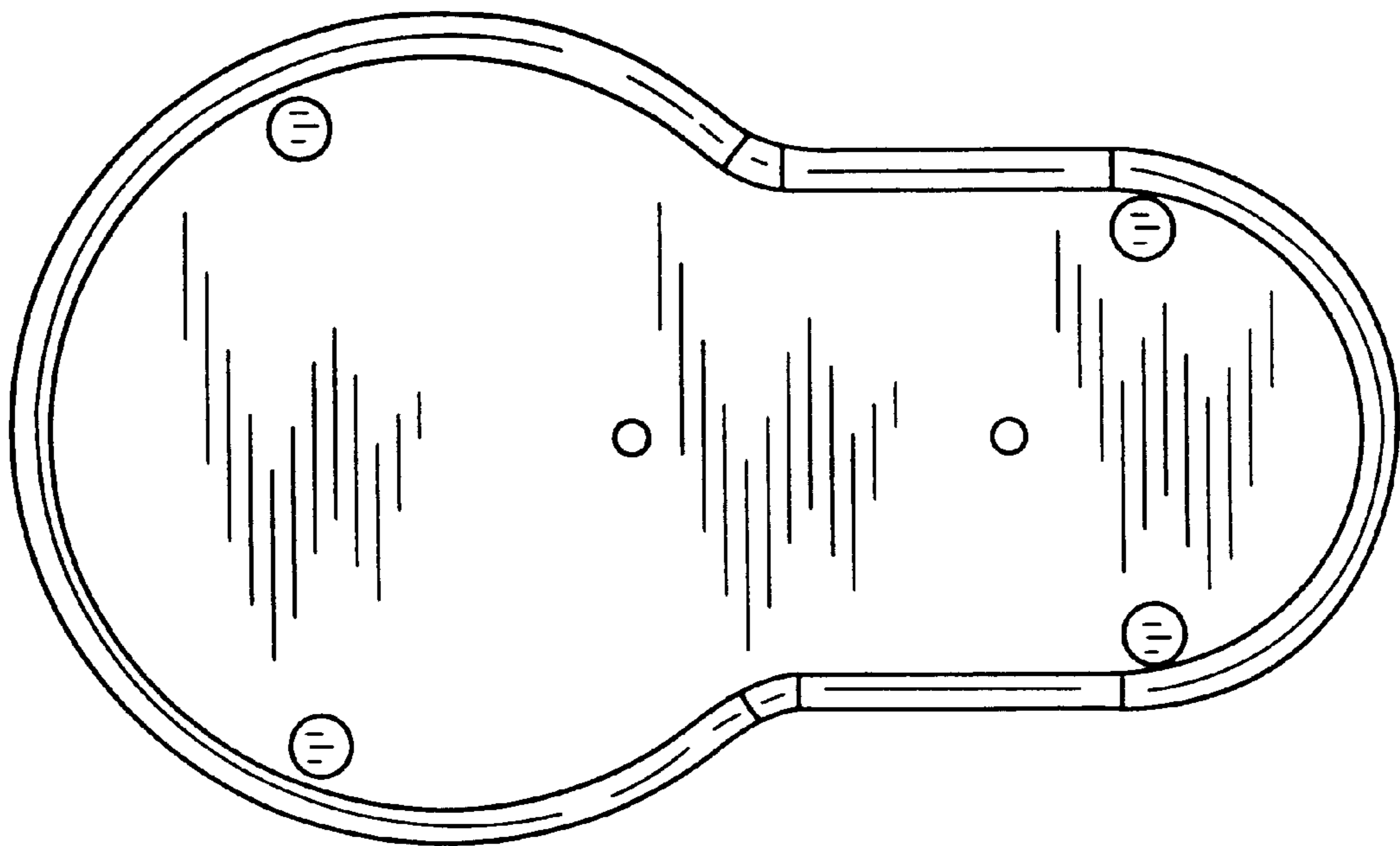


FIG. 14

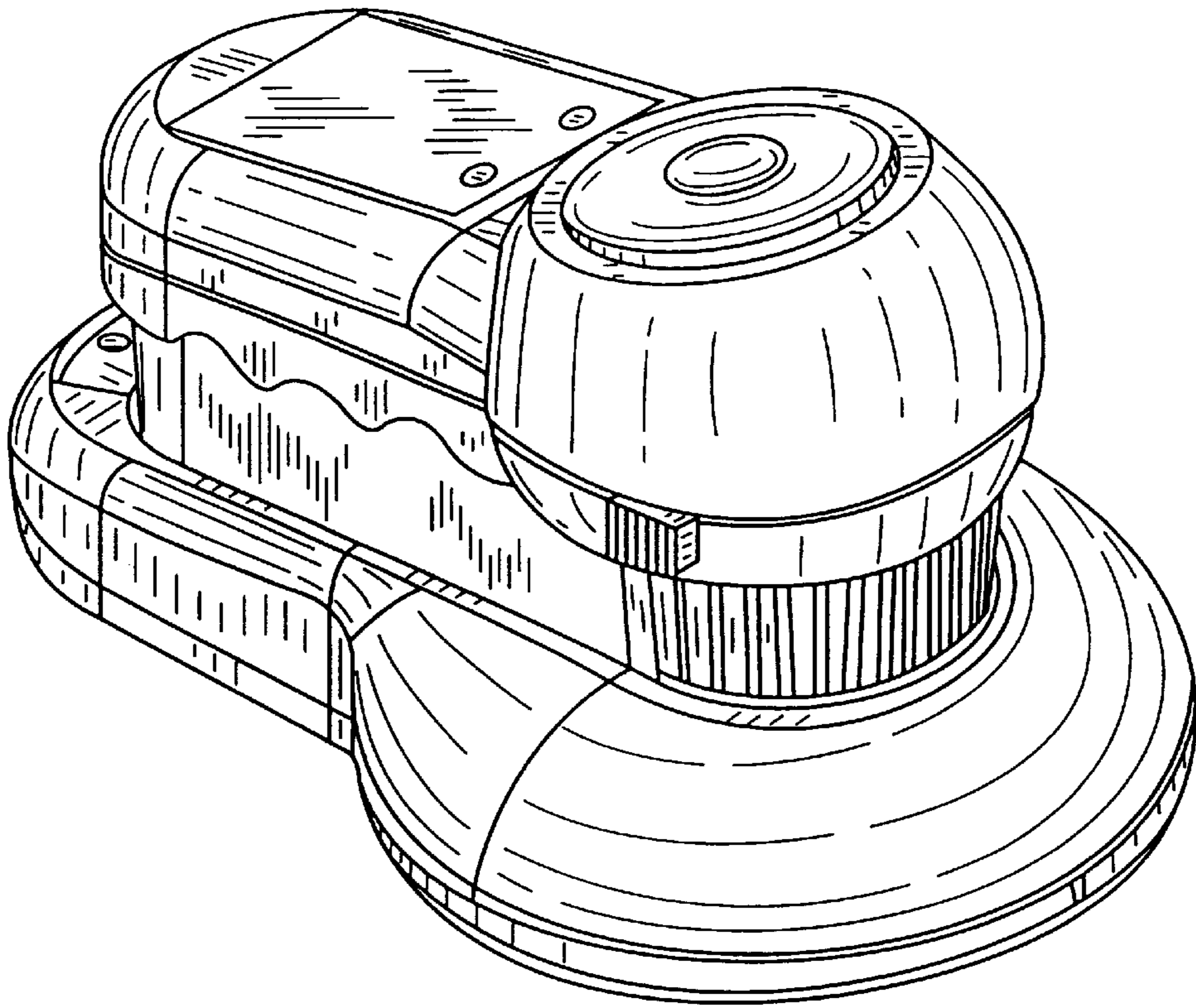


FIG. 15

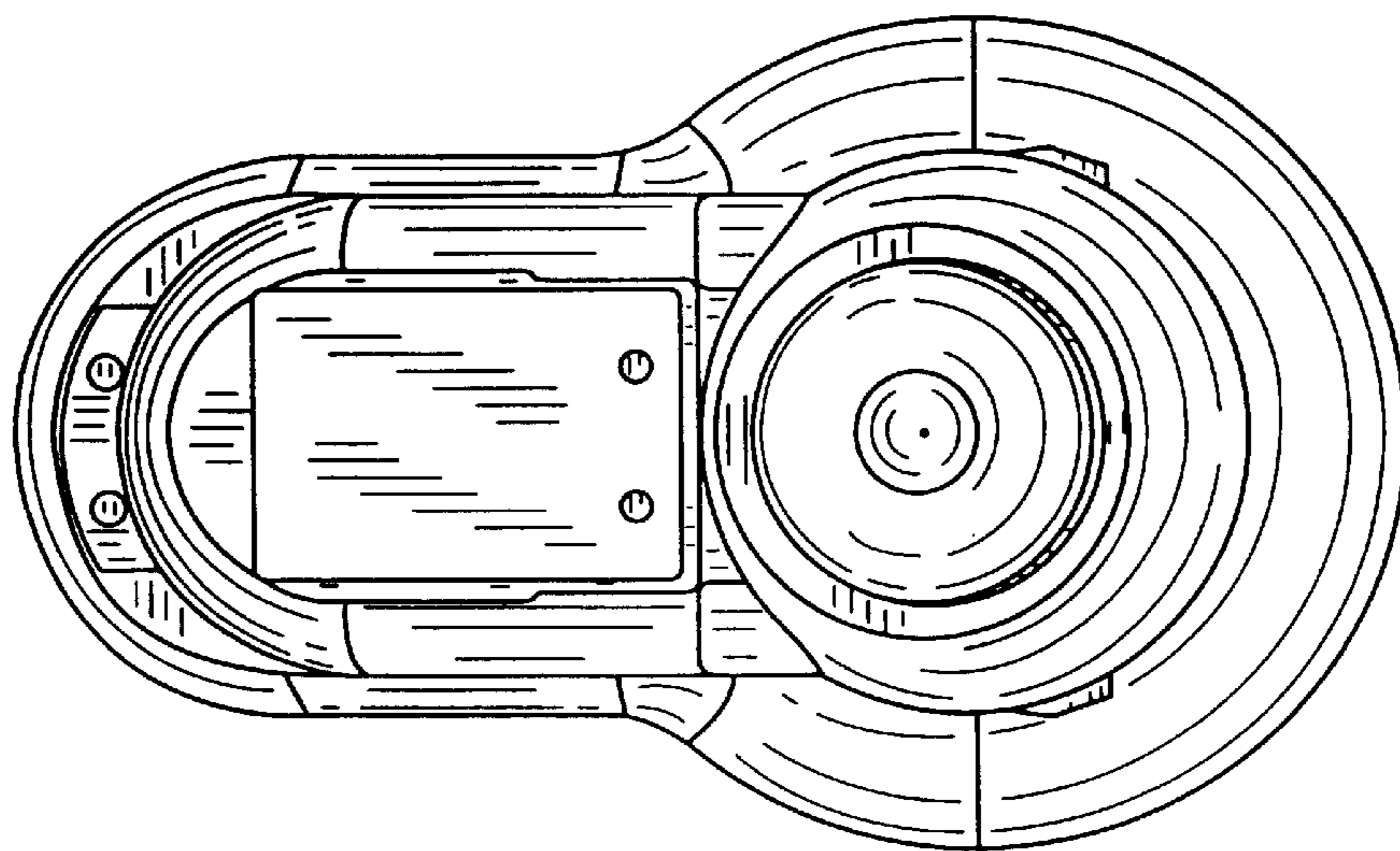


FIG. 16

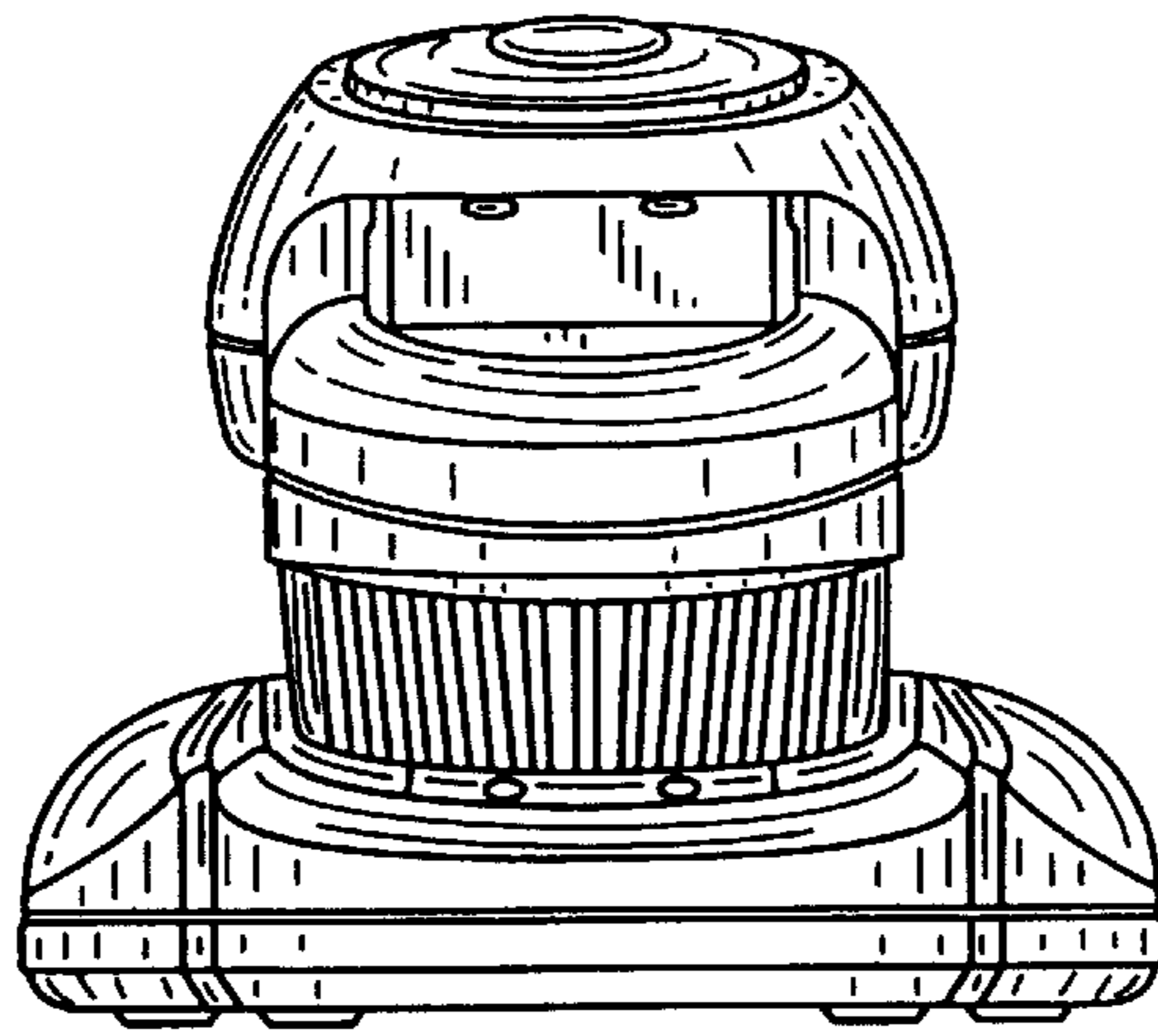


FIG. 17

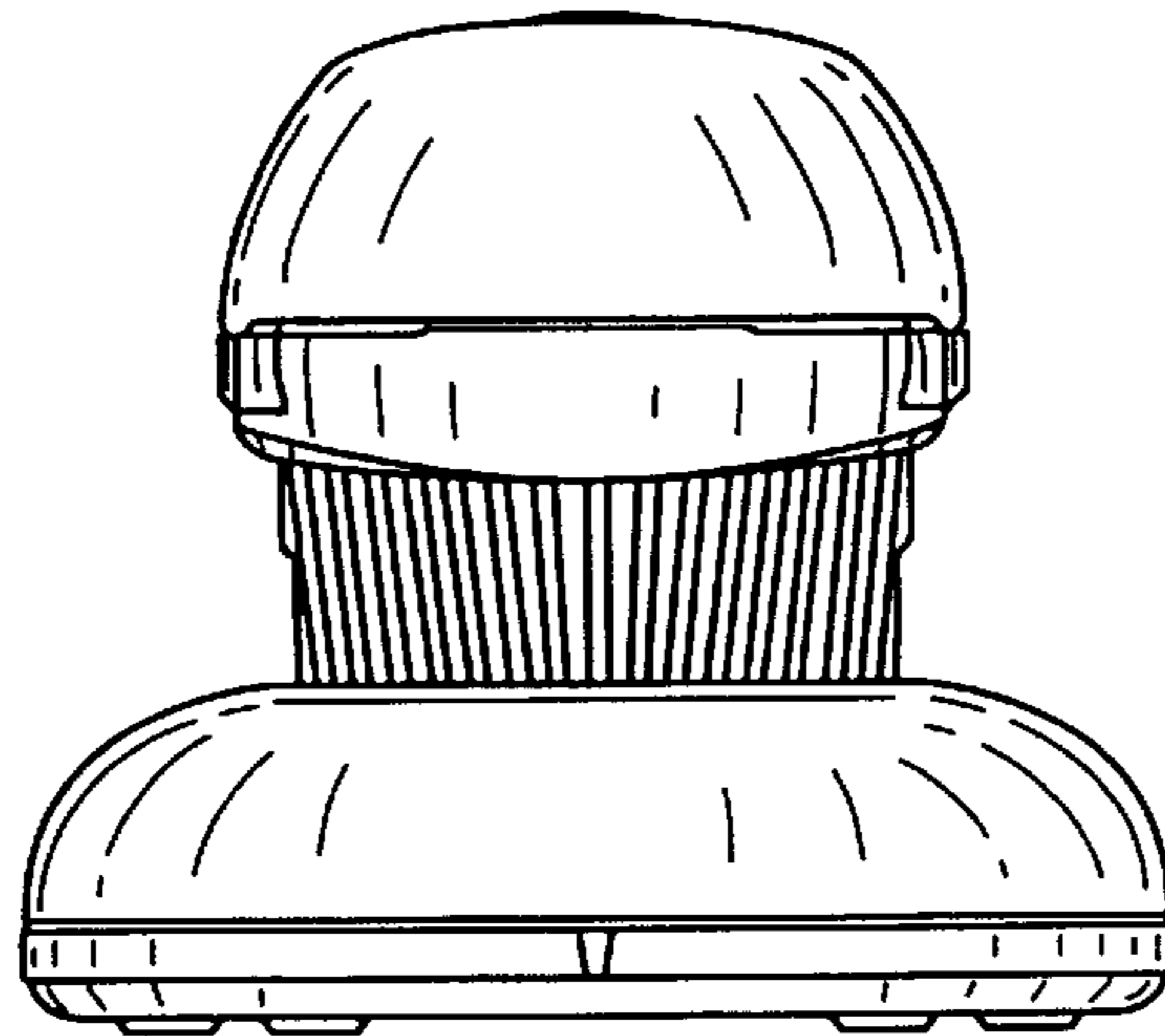


FIG. 18

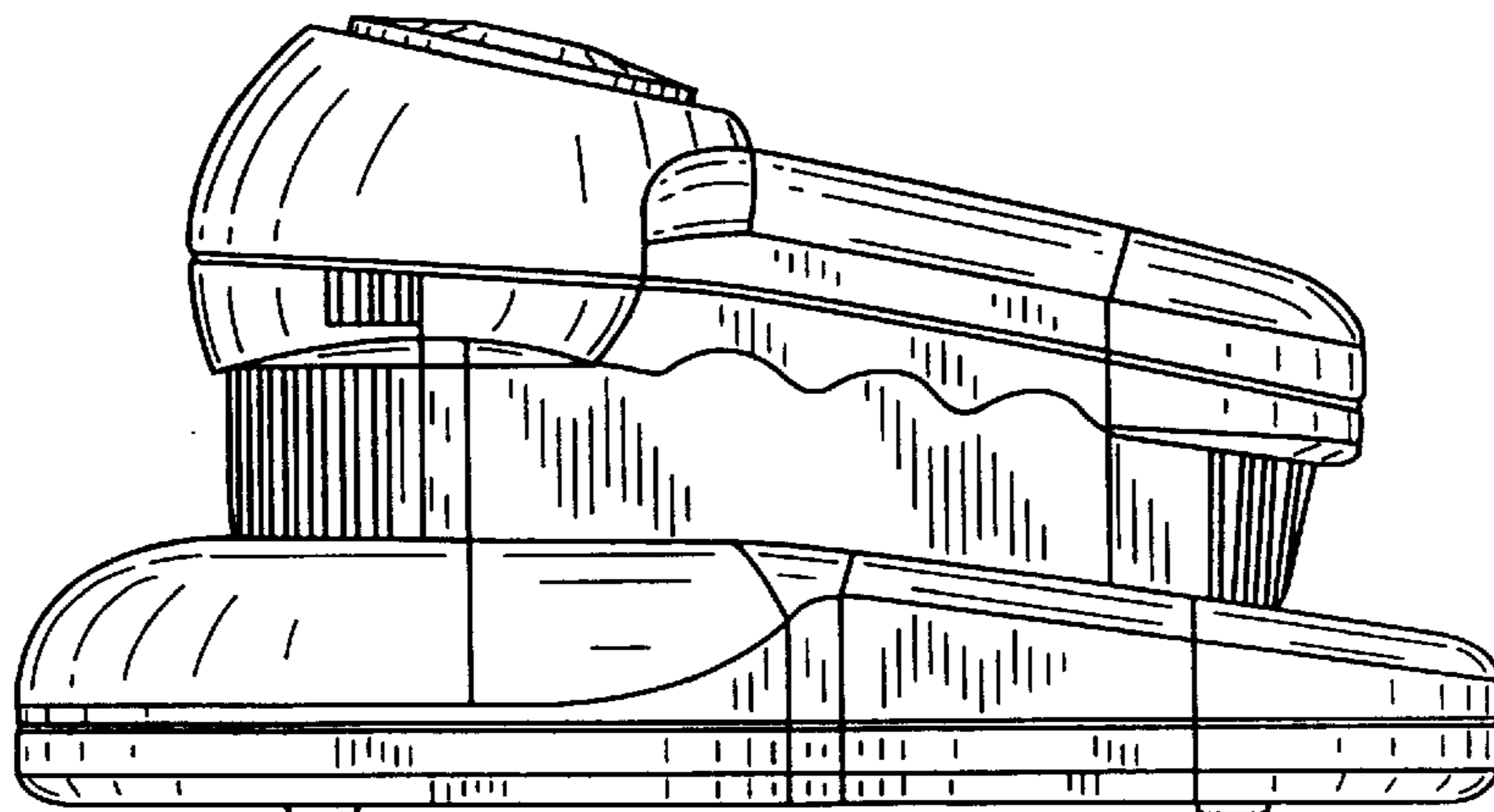


FIG. 19

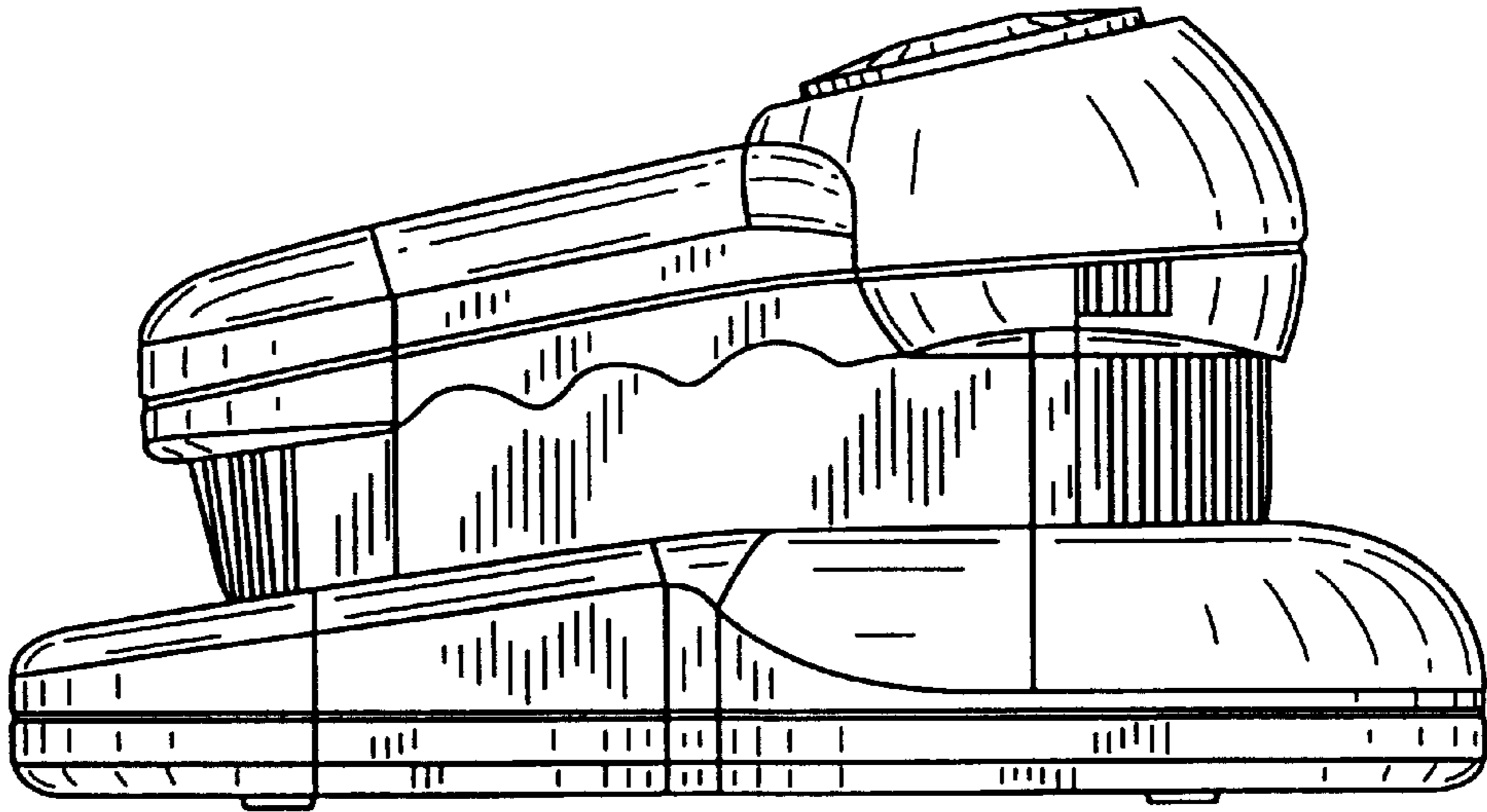


FIG. 20

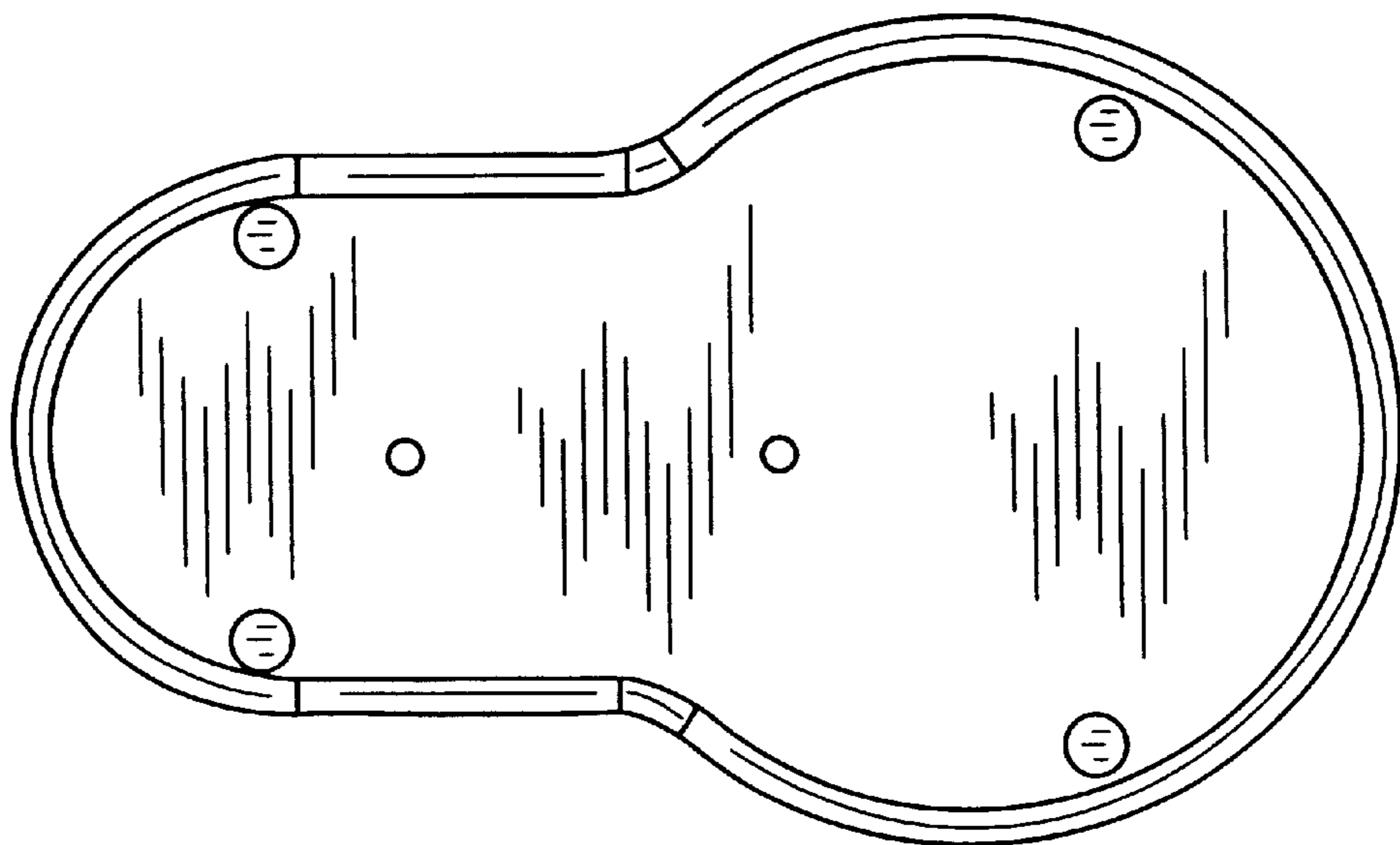


FIG. 21