



US00D440301S

(12) **United States Design Patent**
Fecteau et al.

(10) **Patent No.:** **US D440,301 S**

(45) **Date of Patent:** **** Apr. 10, 2001**

(54) **RESPIRATOR**

(75) Inventors: **Keith E. Fecteau**, Wilbraham; **David Honan**, Concord, both of MA (US);
James D. Hall, Lincoln, RI (US)

(73) Assignee: **Cabot Safety Intermediate Corporation**, Newark, DE (US)

(**) Term: **14 Years**

(21) Appl. No.: **29/100,948**

(22) Filed: **Feb. 22, 1999**

(51) **LOC (7) Cl.** **29-02**

(52) **U.S. Cl.** **D24/110.1**

(58) **Field of Search** D24/110.1, 110.2,
D24/110.3, 110.6; 128/206.17, 206.19,
205.28, 205.24, 205.27, 206.18, 205.12,
205.29, 206.12, 206.27

(56) **References Cited**

U.S. PATENT DOCUMENTS

- D. 326,540 * 5/1992 Scholey D24/110.1
- D. 396,283 * 7/1998 Scholey D24/110.5

- 2,664,887 * 1/1954 Green 128/206.17
- 2,744,524 * 5/1956 Whipple 128/206.17
- 4,179,274 * 12/1979 Moon 128/206.17
- 5,797,974 * 8/1998 Flaherty et al. 128/206.17
- 6,016,804 * 1/2000 Gleason et al. 128/206.17

* cited by examiner

Primary Examiner—Ian Simmons

(74) *Attorney, Agent, or Firm*—Cantor Colburn LLP

(57) **CLAIM**

The ornamental design for a respirator, as shown and described.

DESCRIPTION

FIG. 1 is a perspective view of the respirator;
FIG. 2 is a front view thereof,
FIG. 3 is a right view thereof;
FIG. 4 is a left view thereof;
FIG. 5 is a top side view thereof; and,
FIG. 6 is a bottom view thereof.

The surfaces or portions of the article not shown in the drawing or described in the specification forms no part of the claimed design.

1 Claim, 3 Drawing Sheets

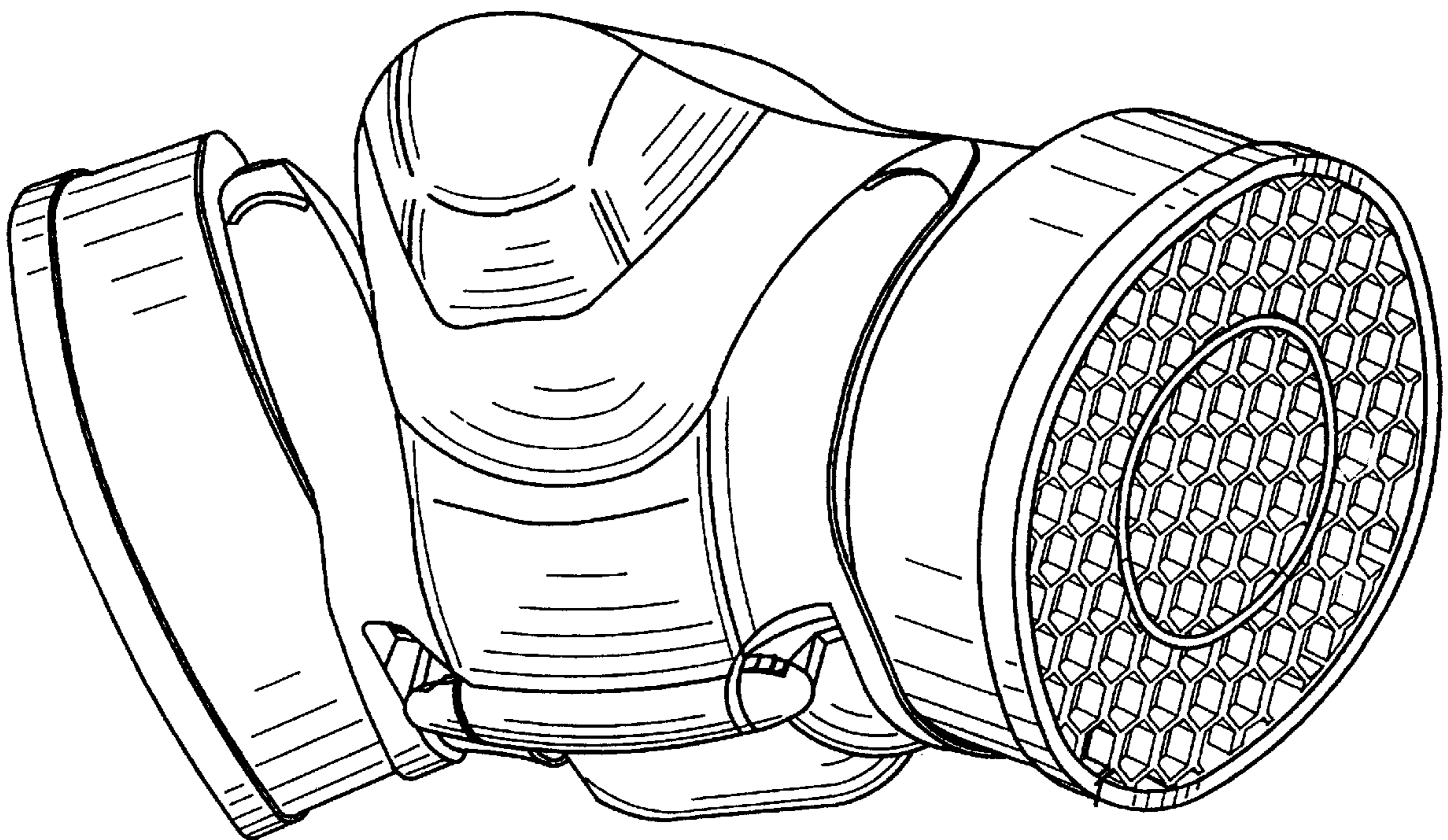


FIG. 1

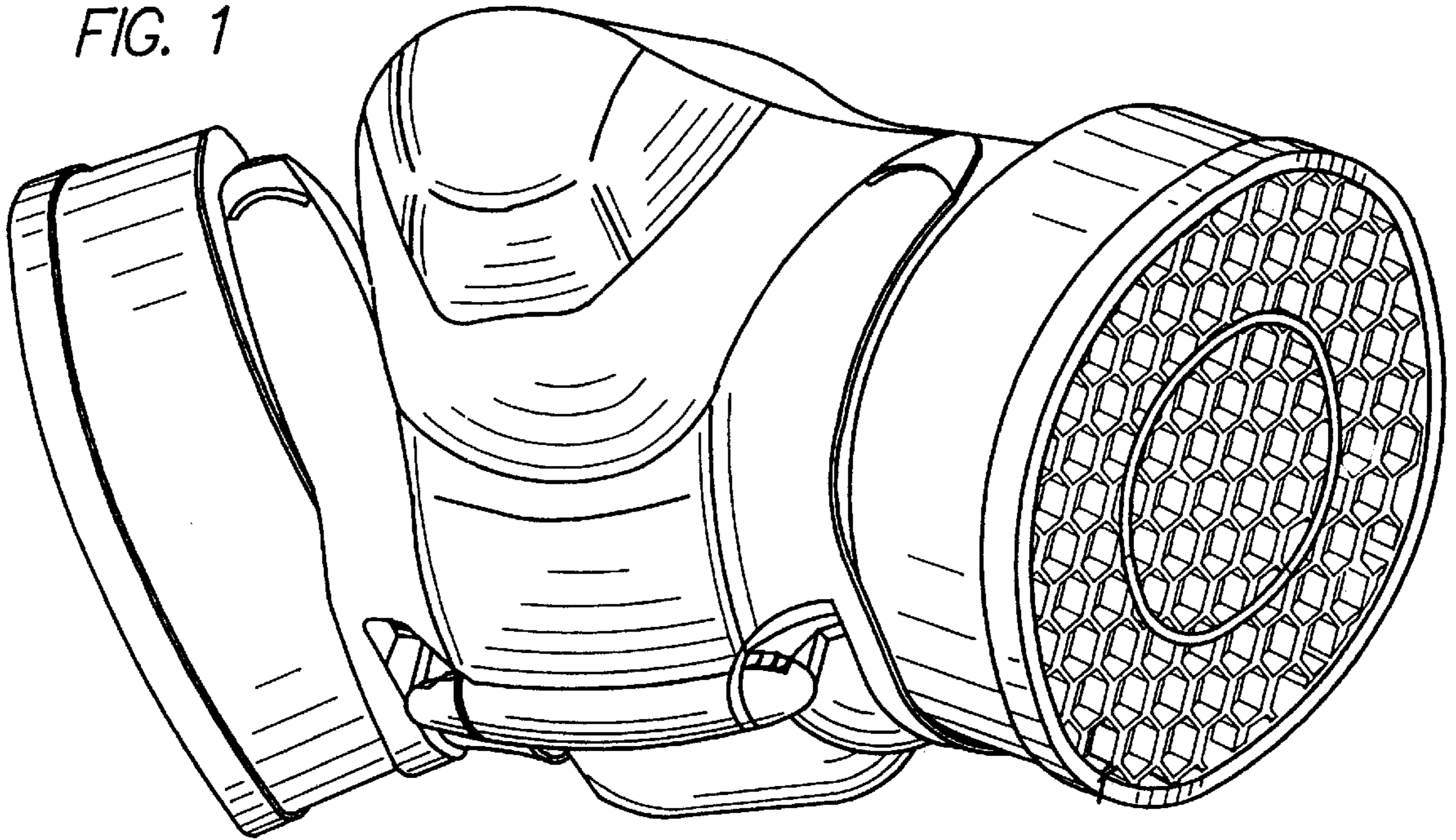


FIG. 2

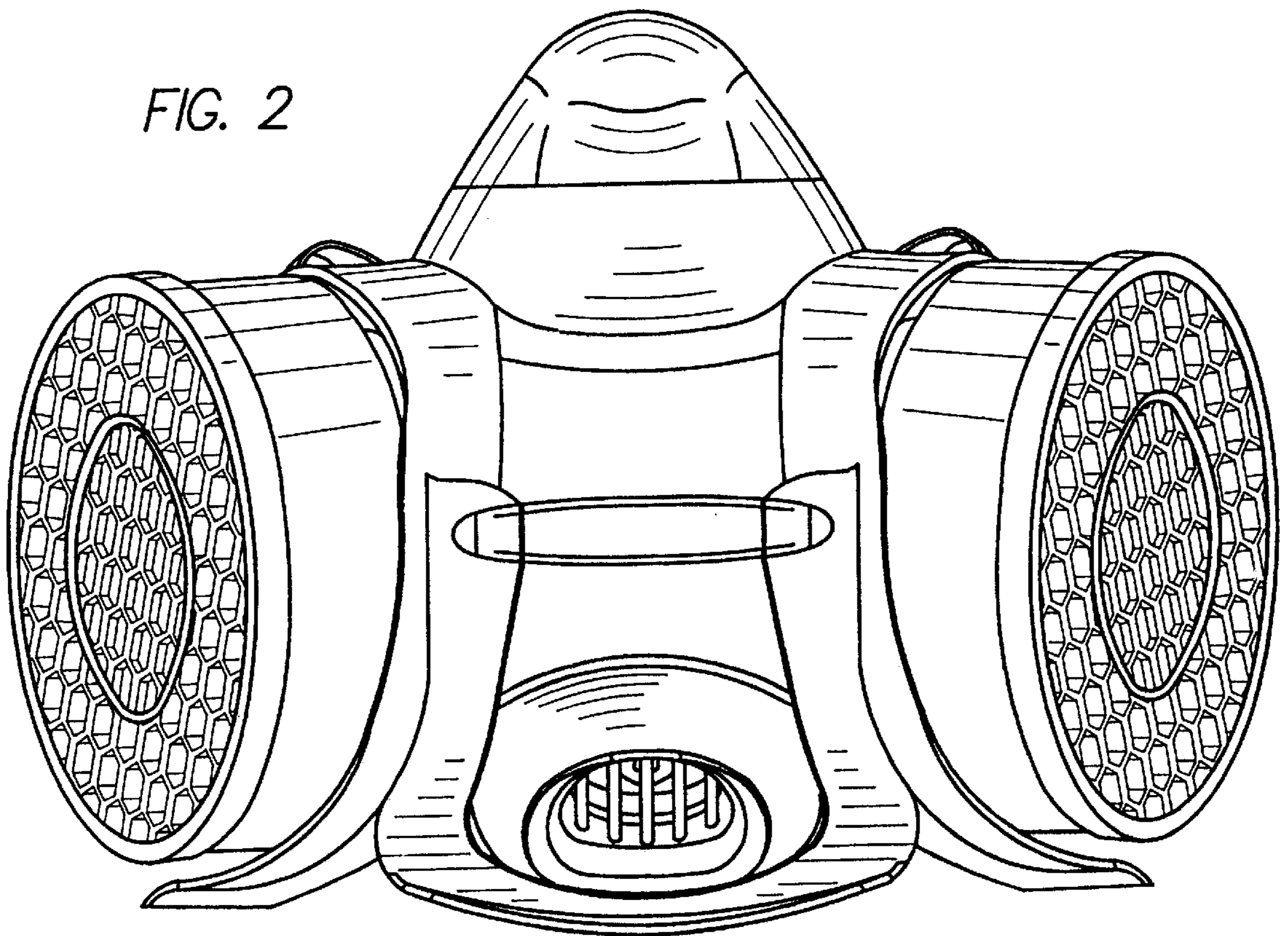


FIG. 3

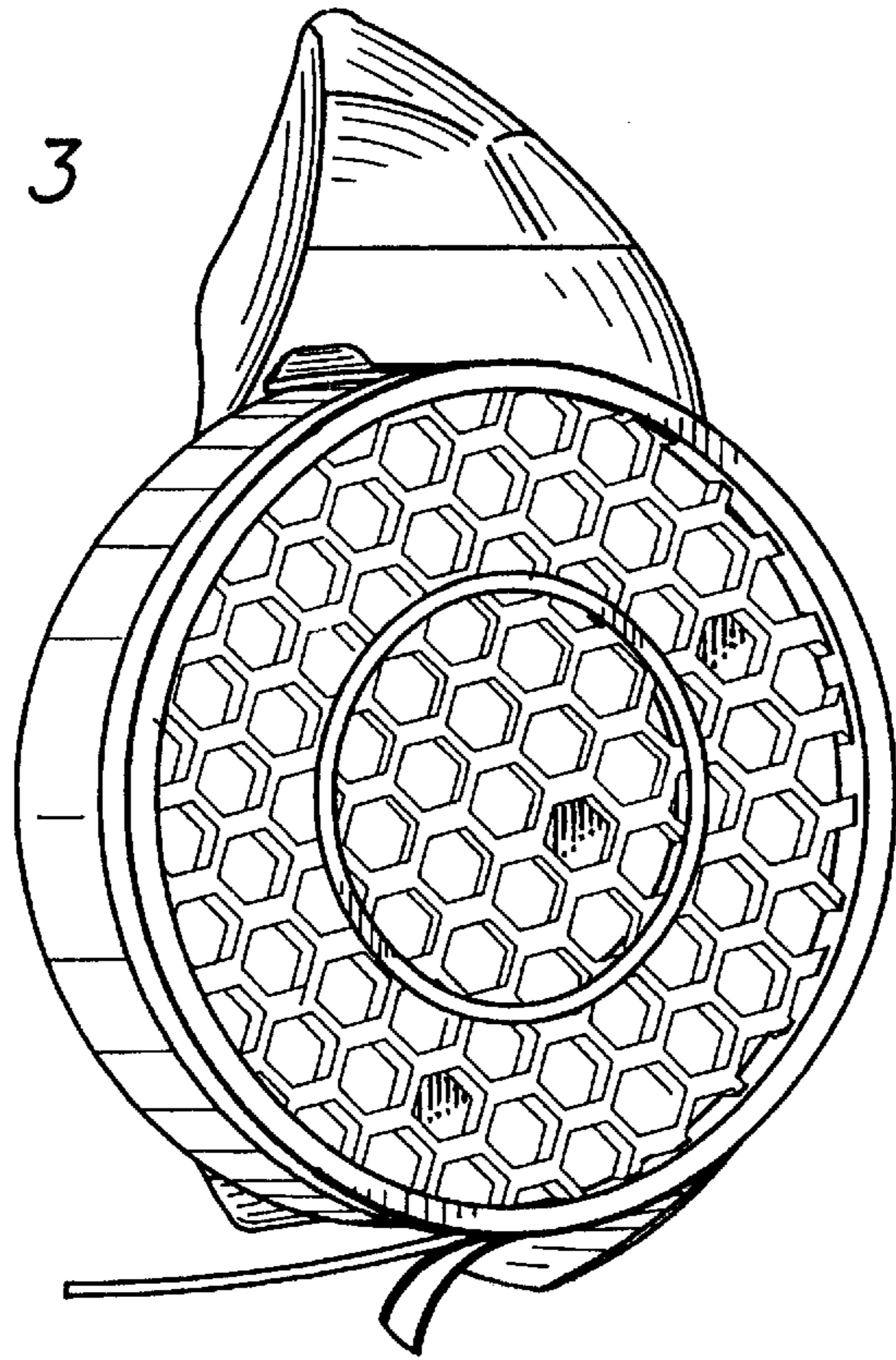


FIG. 4

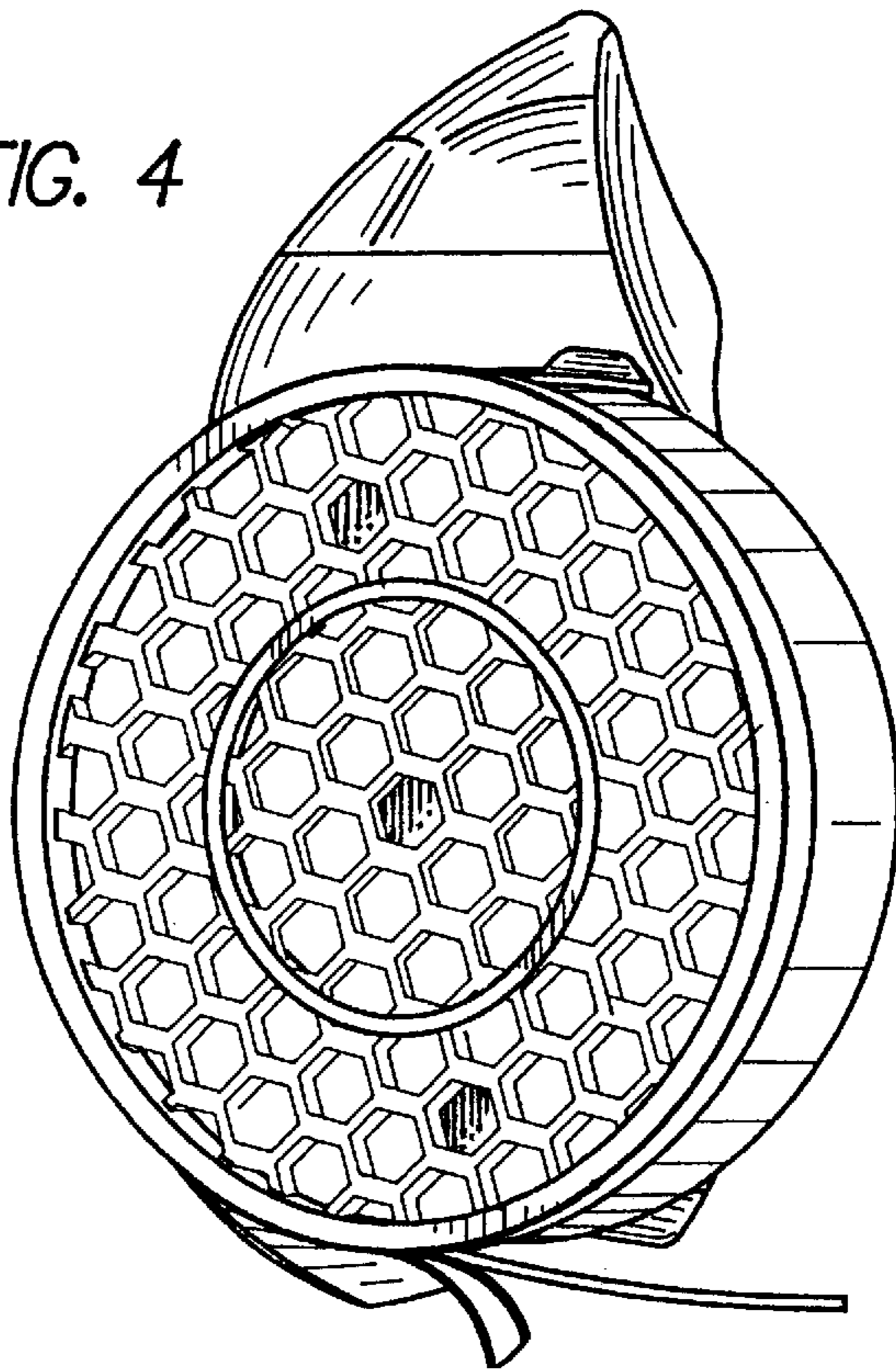


FIG. 5

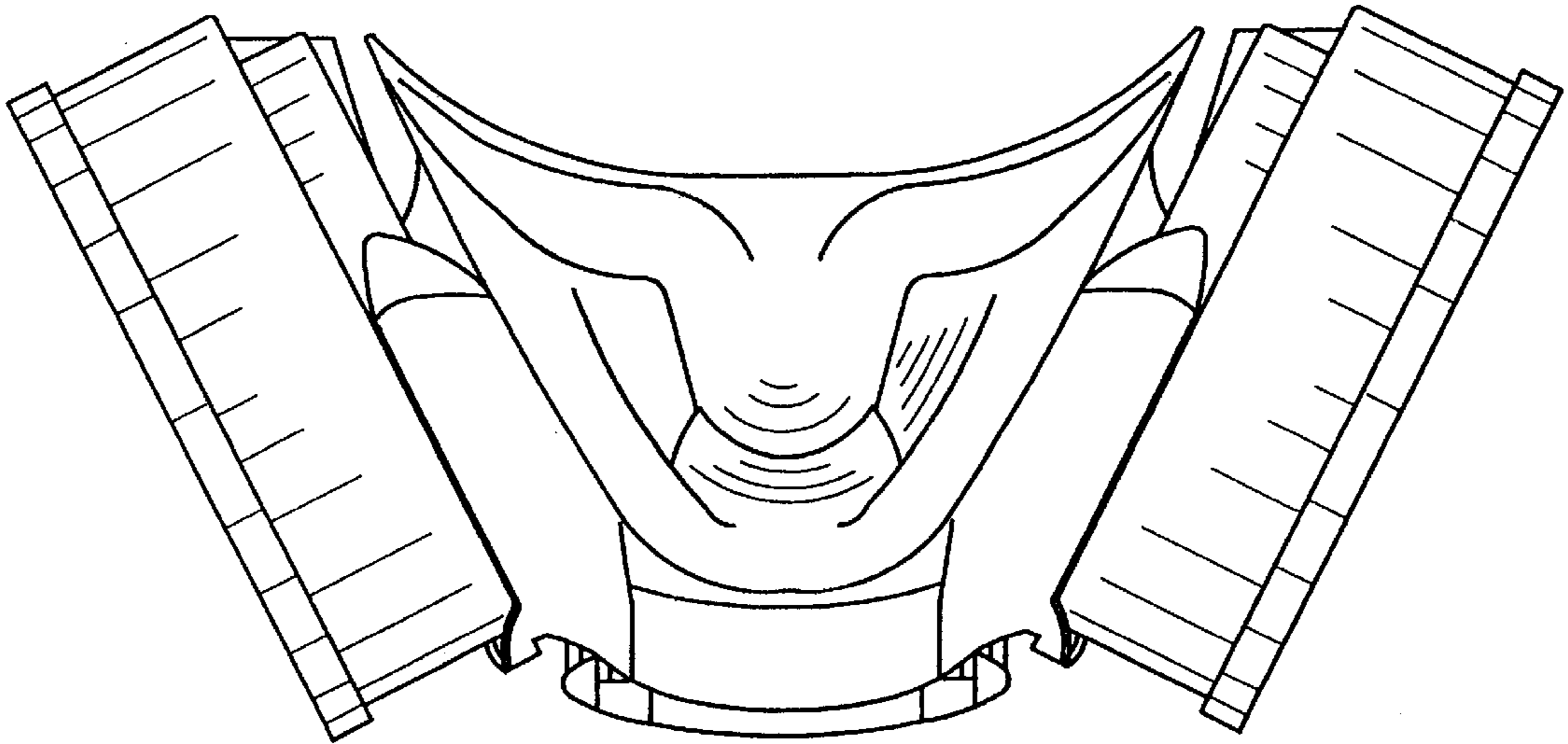


FIG. 6

